



US00D816826S

(12) **United States Design Patent**  
**Johnson**

(10) **Patent No.:** **US D816,826 S**

(45) **Date of Patent:** **\*\* May 1, 2018**

- (54) **WINDMILL CEILING FAN**
- (71) Applicant: **Quorum International, Inc.**, Fort Worth, TX (US)
- (72) Inventor: **Aaron M. Johnson**, Albuquerque, NM (US)
- (73) Assignee: **Quorum International, Inc.**, Fort Worth, TX (US)

4,427,342 A 1/1984 Sutz et al.  
 D279,293 S \* 6/1985 Sutz ..... D15/1  
 D668,606 S \* 10/2012 Lee ..... D13/115  
 D785,155 S \* 4/2017 Wang ..... D23/377  
 2017/0030370 A1\* 2/2017 Kruger ..... B63H 1/26

\* cited by examiner

*Primary Examiner* — Janice Hallmark

(74) *Attorney, Agent, or Firm* — Whitaker Chalk Swindle & Schwartz PLLC

(\*\*) Term: **15 Years**

(57) **CLAIM**

The ornamental design for a windmill ceiling fan, as shown and described.

(21) Appl. No.: **29/581,669**

**DESCRIPTION**

(22) Filed: **Oct. 20, 2016**

(51) **LOC (11) Cl.** ..... **23-04**

(52) **U.S. Cl.**  
USPC ..... **D23/377; D23/385**

(58) **Field of Classification Search**  
USPC ..... D23/370, 377, 379, 385, 411, 413;  
D26/59  
CPC ..... H02K 1/187; F04D 25/08; F04D 29/388;  
F04D 29/34; F04D 25/088  
See application file for complete search history.

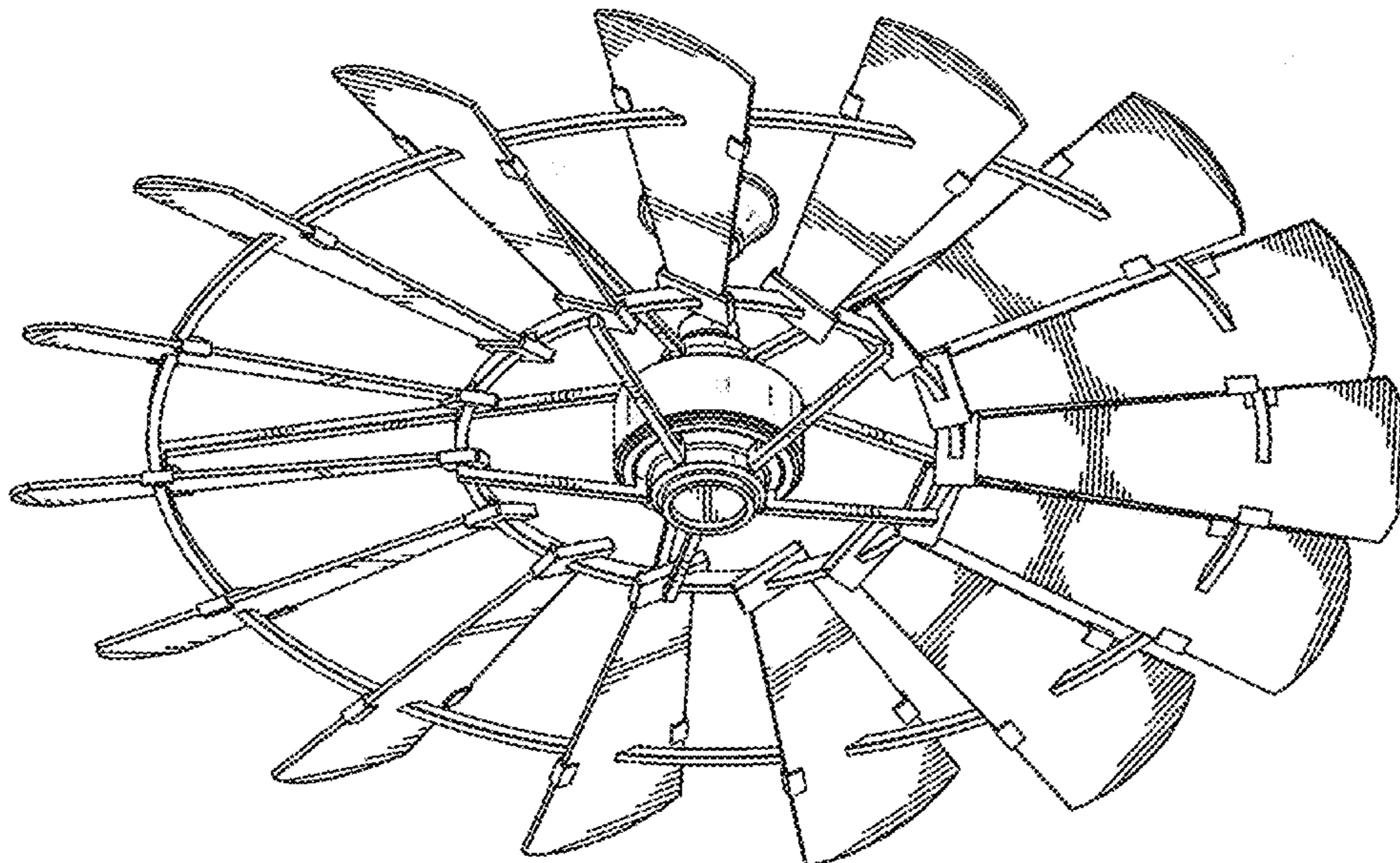
FIG. 1 is a bottom perspective view of the windmill ceiling fan of the invention;  
 FIG. 2 is a front side view of the windmill ceiling fan of FIG. 1;  
 FIG. 3 is a back side view of the windmill ceiling fan of FIG. 1;  
 FIG. 4 is a right side view of the windmill ceiling fan of FIG. 1;  
 FIG. 5 is a left side view of the windmill ceiling fan of FIG. 1;  
 FIG. 6 is a top plan view of the windmill ceiling fan of FIG. 1;  
 FIG. 7 is a top plan view of the windmill ceiling fan of FIG. 1; and,  
 FIG. 8 is a top perspective view of the windmill ceiling fan of FIG. 1.  
 The broken lines in the drawings depict the bounds of the claim and form no part of the claimed design.

(56) **References Cited**

**U.S. PATENT DOCUMENTS**

501,355 A 7/1893 Myers  
 556,914 A 3/1896 Bramwell  
 581,613 A 4/1897 Pippin  
 622,842 A 4/1899 Dietz  
 716,658 A 12/1902 Benster  
 1,377,328 A \* 5/1921 Eggerth ..... F03D 7/0224  
 416/53  
 D269,091 S \* 5/1983 Sutz ..... D15/1

**1 Claim, 6 Drawing Sheets**



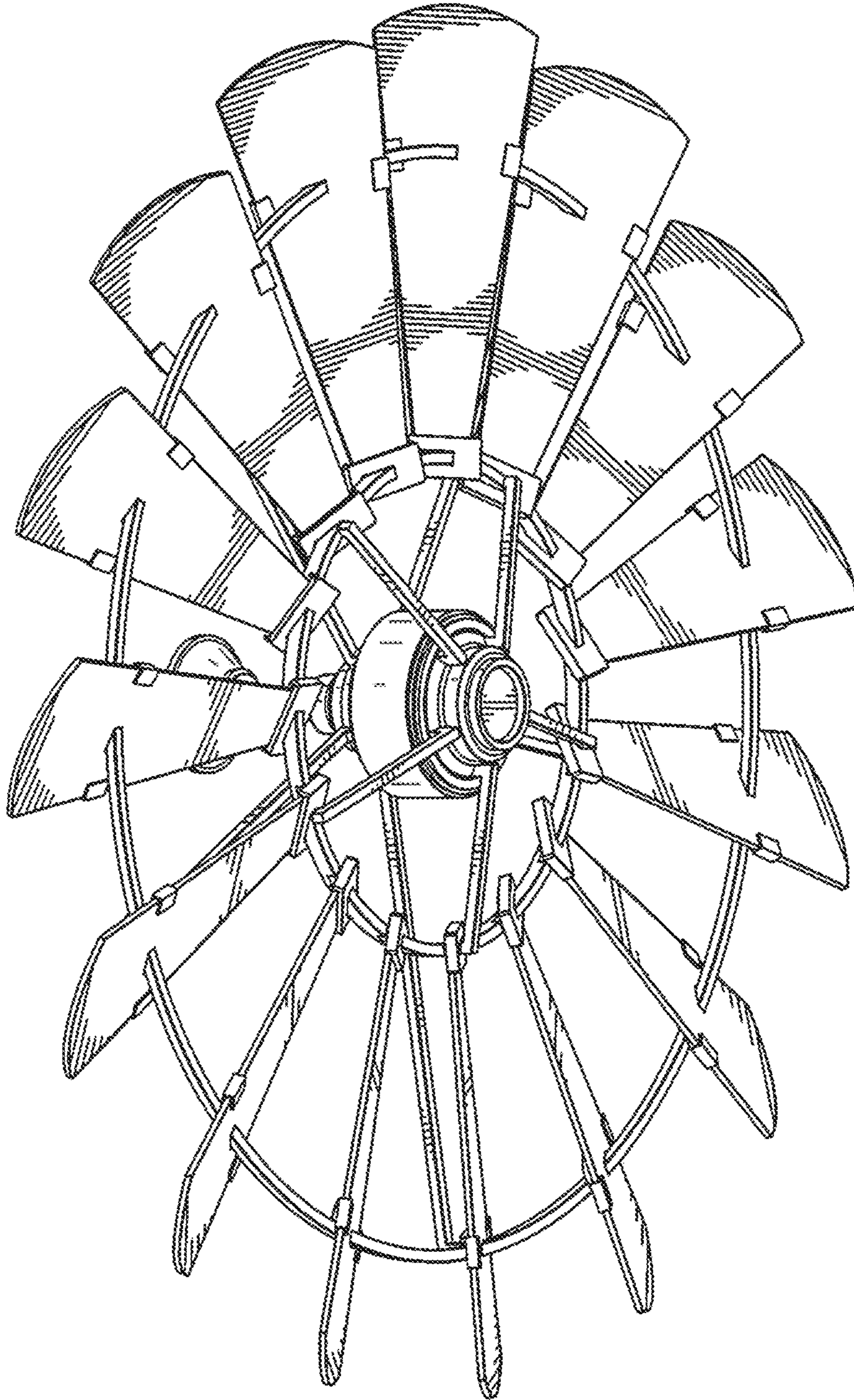


FIG. 1



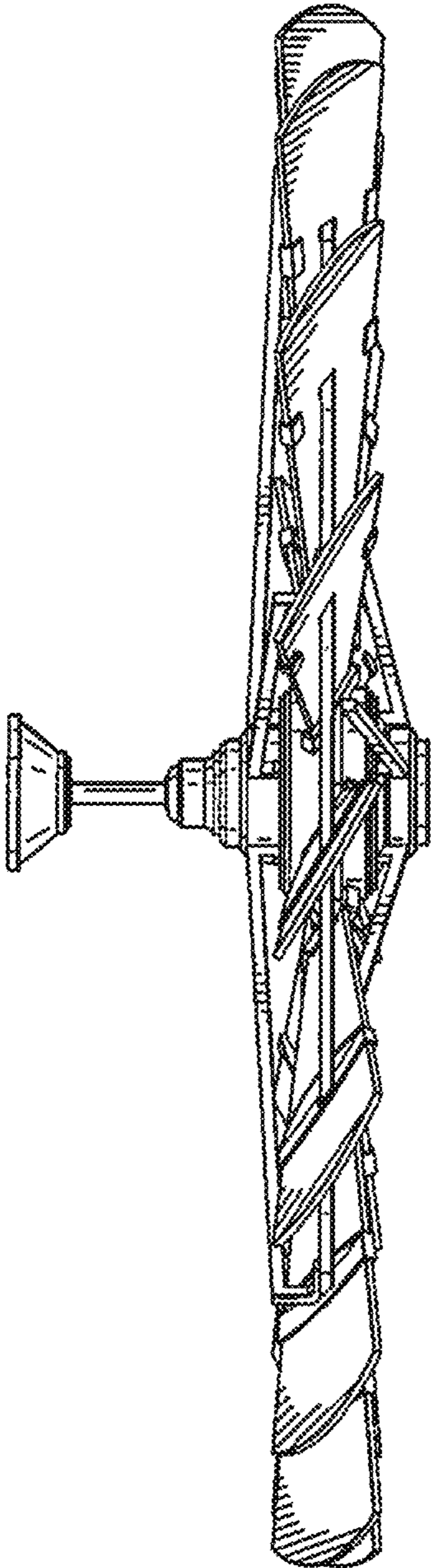


FIG. 2

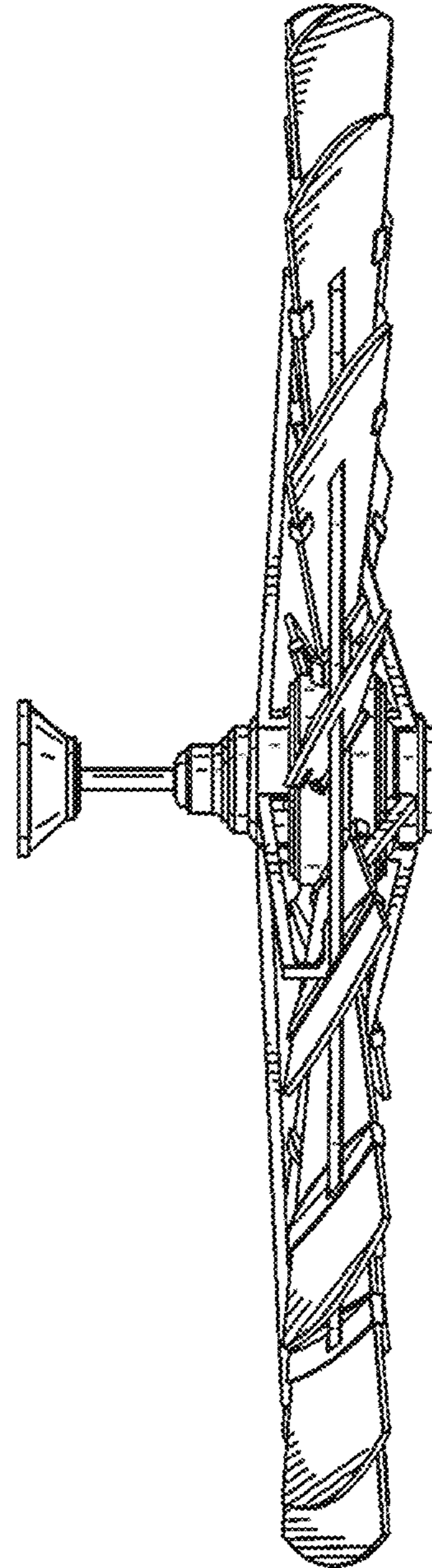


FIG. 3

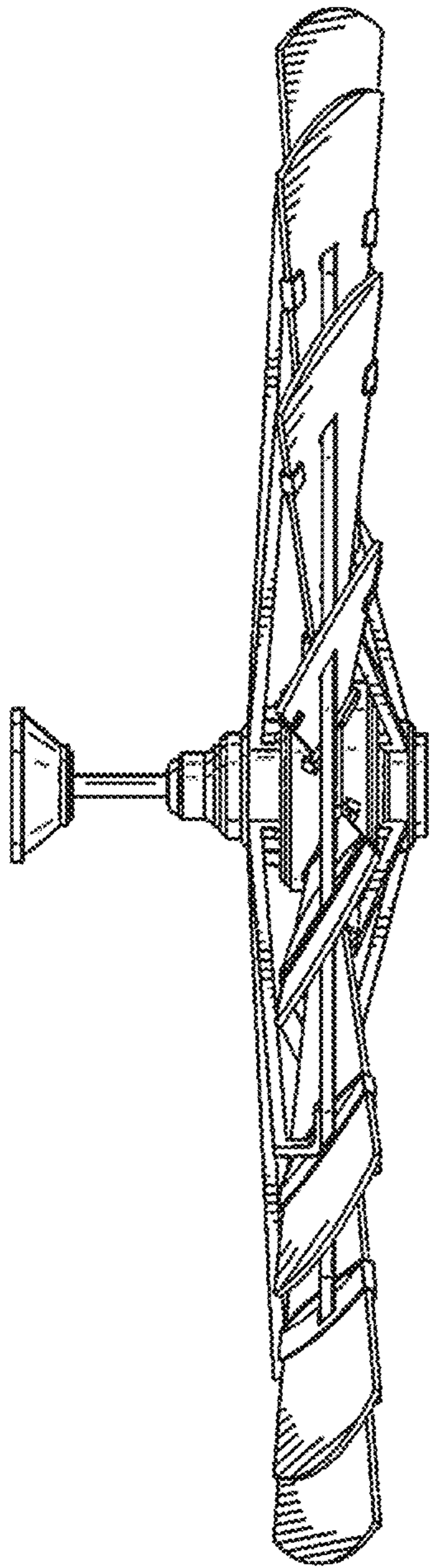


FIG. 4

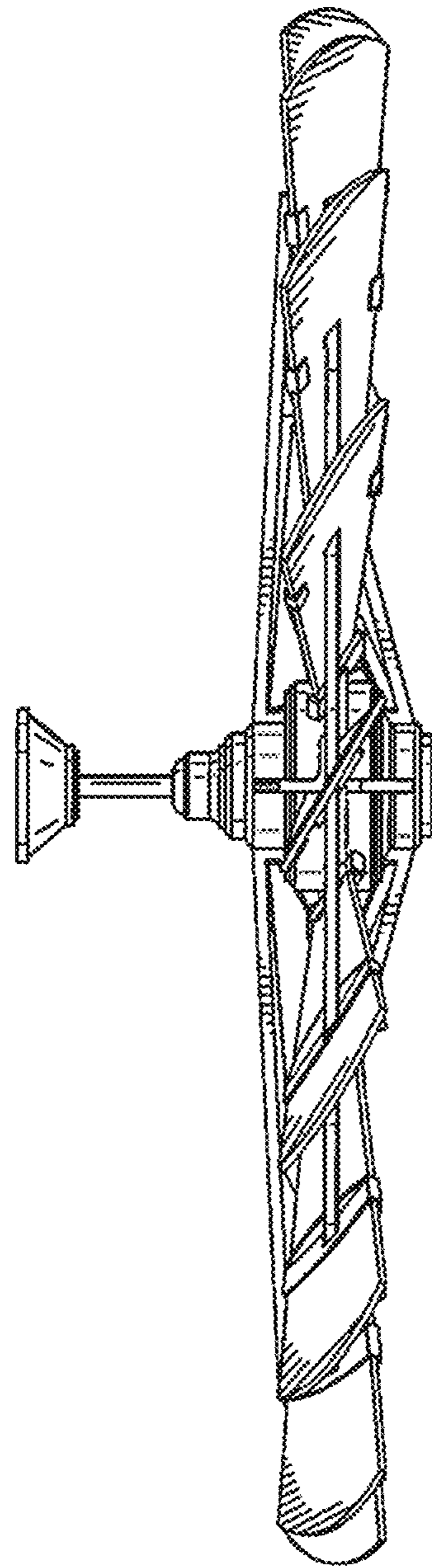


FIG. 5

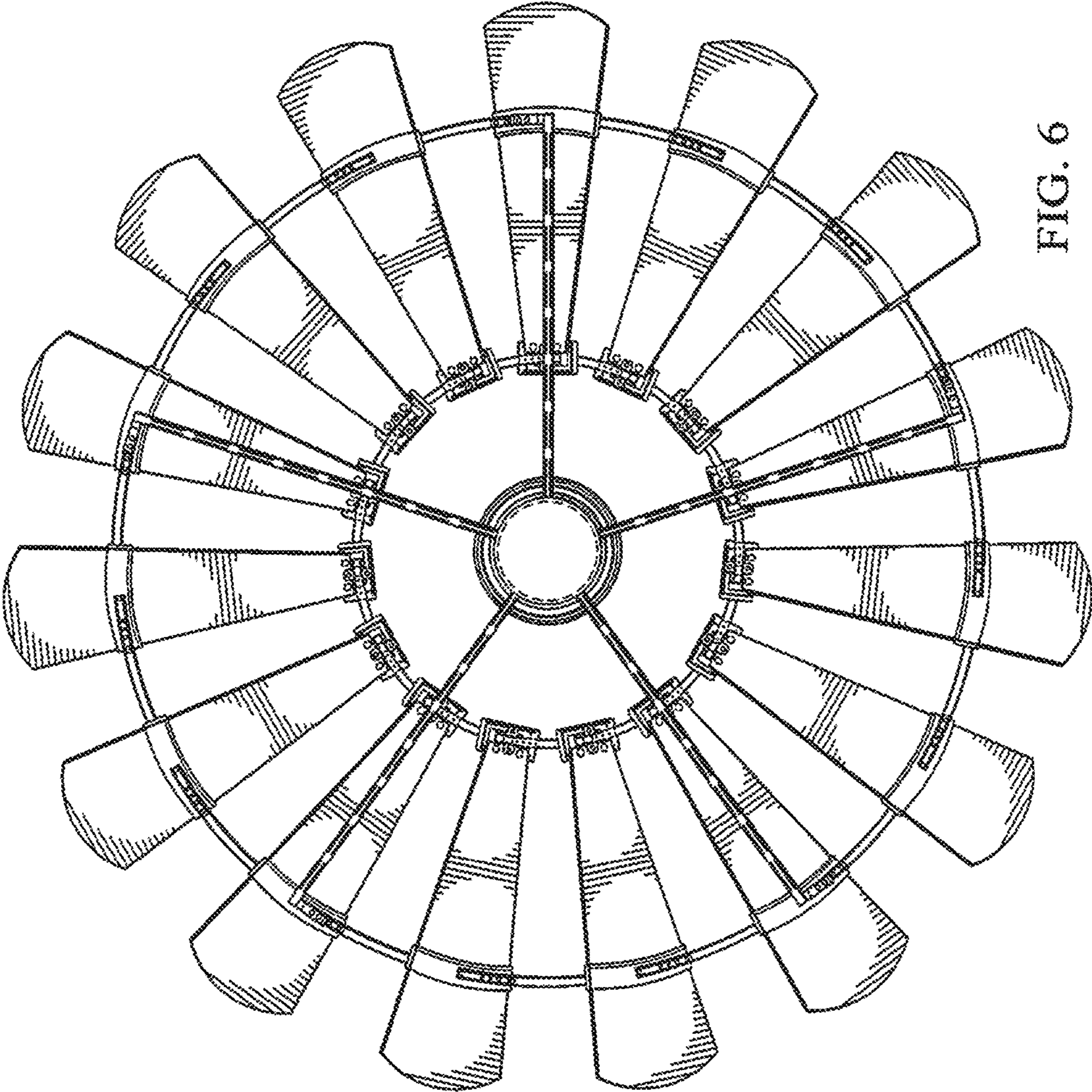


FIG. 6



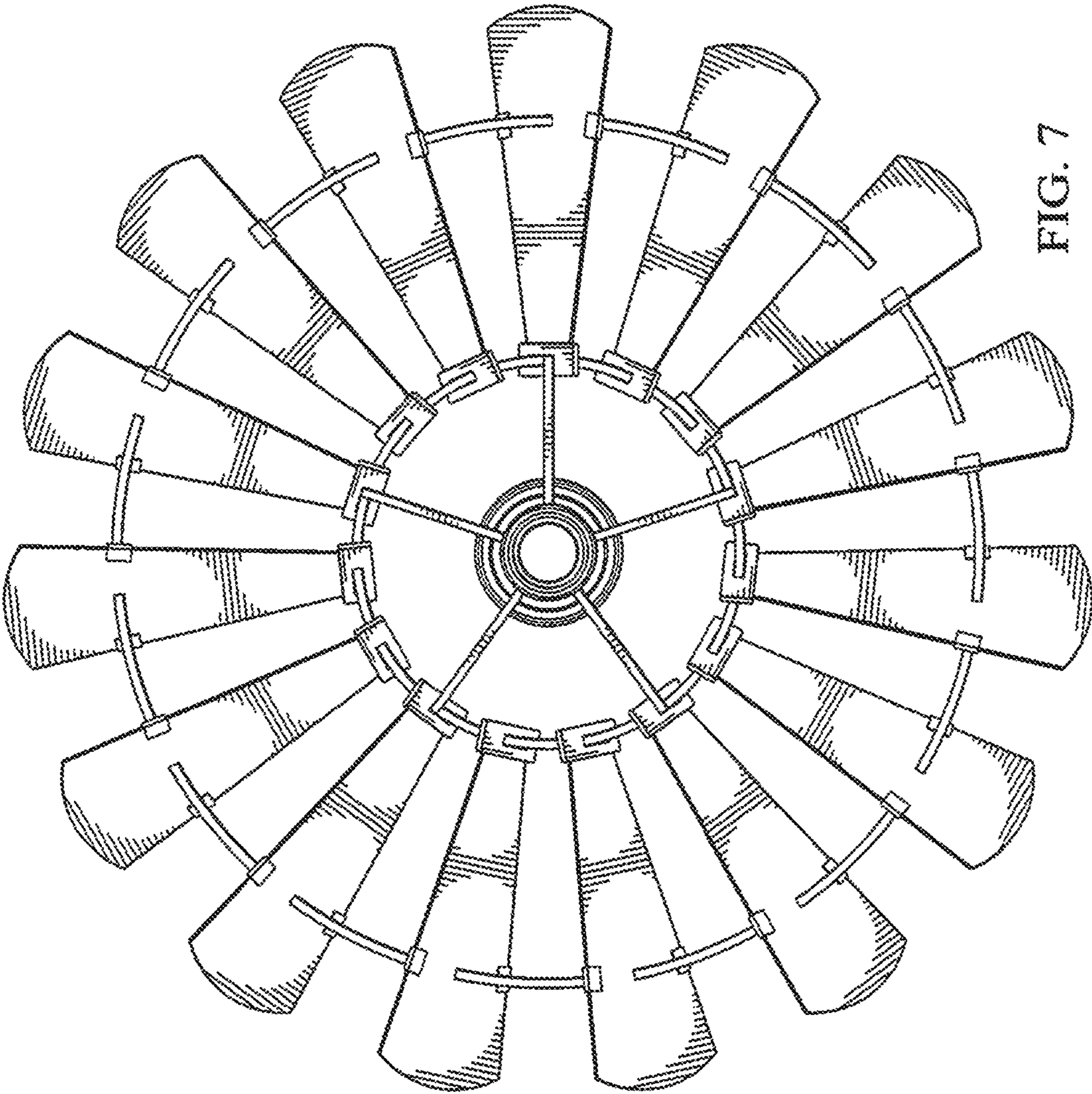


FIG. 7

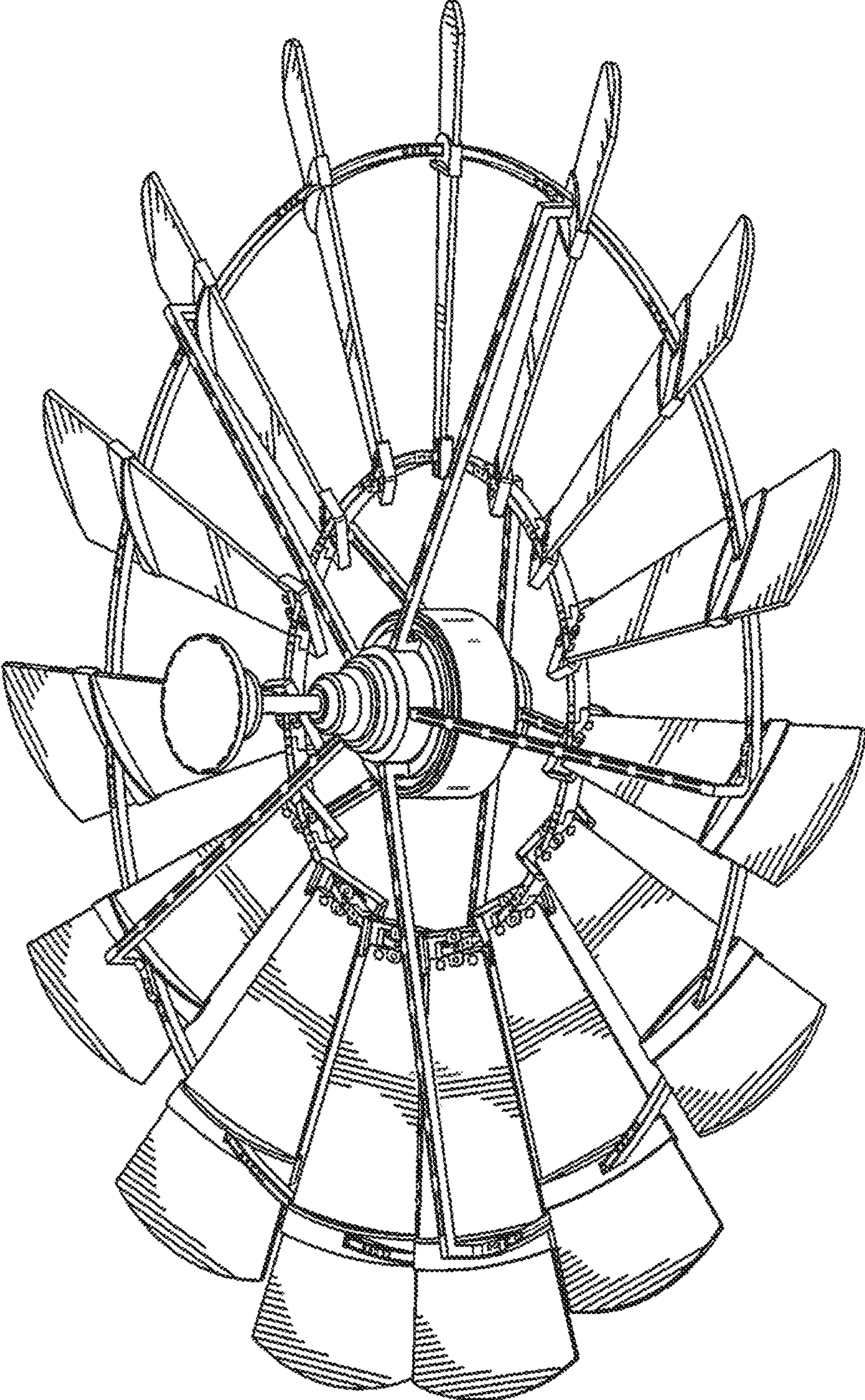


FIG. 8