



US00D816825S

(12) **United States Design Patent**
Schanzenbach et al.

(10) **Patent No.:** **US D816,825 S**
(45) **Date of Patent:** **** May 1, 2018**

(54) **FAN**

FOREIGN PATENT DOCUMENTS

(71) Applicant: **STEGO-Holding GmbH**, Schwaebisch Hall (DE)

DE 000002431065 1/1976
DE 19700065 11/2001

(Continued)

(72) Inventors: **Bernd Armin Schanzenbach**, Mainhardt Geisselhardt (DE); **Robert Dent**, Schwaebisch Hall (DE); **Elmar Mangold**, Unterschneidheim (DE)

OTHER PUBLICATIONS

International Search Report, PCT/EP2014/060550, dated Aug. 21, 2014, 11 pages.

(Continued)

(73) Assignee: **STEGO-Holding GmbH**, Schwaebish Hall (DE)

(**) Term: **15 Years**

Primary Examiner — Susan Bennett Hattan

Assistant Examiner — Marie D. Fast Horse

(21) Appl. No.: **29/598,128**

(74) *Attorney, Agent, or Firm* — Boyle Fredrickson, S.C.

(22) Filed: **Mar. 23, 2017**

Related U.S. Application Data

(62) Division of application No. 29/557,729, filed on Mar. 11, 2016, which is a division of application No. (Continued)

(57) **CLAIM**

The ornamental design for a fan, as shown and described.

(30) **Foreign Application Priority Data**

Apr. 17, 2014 (EM) 002448977

(51) **LOC (11) Cl.** **23-04**

(52) **U.S. Cl.**
USPC **D23/371; D23/392**

(58) **Field of Classification Search**
USPC D23/370–379, 381, 382–388, 392–394, D23/399, 411, 412, 355, 356, 364, 365;
(Continued)

DESCRIPTION

FIG. 1 is an isometric view of a fan in accordance with the present invention;

FIG. 2 is a front elevational view of the fan of FIG. 1;

FIG. 3 is a rear elevational view of the fan of FIG. 1;

FIG. 4 is a side elevational view of a first side of the fan of FIG. 1;

FIG. 5 is a side elevational view of a second side of the fan of FIG. 1;

FIG. 6 is a top plan view of the fan of FIG. 1; and,

FIG. 7 is a bottom plan view of the fan of FIG. 1.

The broken lines in the drawings depict portions of the fan that form no part of the claim.

The claim is directed to the design shown in solid lines and all surfaces shown between the broken lines and solid lines form no part of the claimed design.

(56) **References Cited**

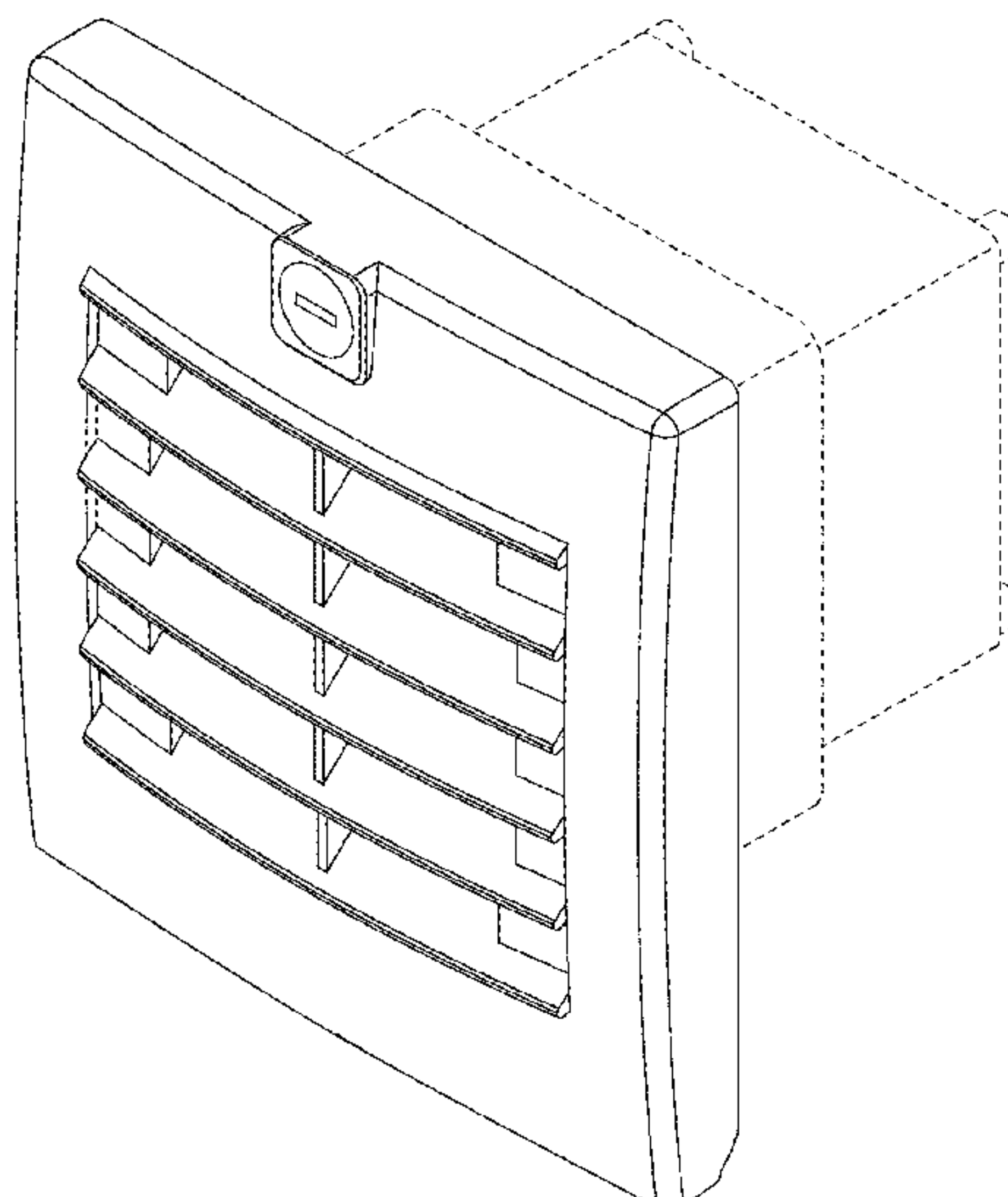
U.S. PATENT DOCUMENTS

D230,736 S * 3/1974 Rousey D23/370

D272,846 S * 2/1984 McVicker D23/371

(Continued)

1 Claim, 7 Drawing Sheets



Related U.S. Application Data

29/506,467, filed on Oct. 16, 2014, now Pat. No. Des. 761,411.

(58) **Field of Classification Search**

USPC 416/180, 189, 190, 204 R, 219 R, 220, 416/244 R, 246, 247 R, 142; 454/353; 96/63, 139, 189, 417, 418

CPC .. F24F 13/14; F24F 7/007; F24F 7/013; F24F 2011/0093; A01K 1/0052; B01D 2273/30

See application file for complete search history.

(56) **References Cited**

U.S. PATENT DOCUMENTS

D338,954 S	8/1993	Brock	
D387,859 S *	12/1997	Ukai	D23/370
5,803,721 A	9/1998	Lee	
5,987,836 A	11/1999	Sullivan	
D433,116 S *	10/2000	Han	D23/393
D566,257 S	4/2008	Deng	
D577,431 S	9/2008	Miyake et al.	
D581,508 S	11/2008	Miyake et al.	
D583,042 S	12/2008	Jackson et al.	
D584,393 S	1/2009	Miyake et al.	
D595,402 S	6/2009	Miyake et al.	
D602,146 S	10/2009	Olesen et al.	
8,951,322 B2	2/2015	Pfannenber et al.	
D761,411 S *	7/2016	Schanzenbach	D23/371

9,677,571 B2	6/2017	Pfannenber	
2002/0173265 A1	11/2002	Kipka et al.	
2004/0118276 A1	6/2004	Kim	
2010/0003126 A1	1/2010	Wang	
2013/0023199 A1	1/2013	Li et al.	
2013/0068106 A1*	3/2013	Hartmann	B01D 46/0086 96/418
2016/0105996 A1*	4/2016	Schanzenbach ...	B01D 46/0005 415/121.2

FOREIGN PATENT DOCUMENTS

DE	19825602	11/2002
DE	202006010888	9/2006
DE	202006016841	2/2007
DE	102010016504	10/2011
DE	102014101184	11/2014
JP	56-130545	10/1981
RU	2281421	1/2006
RU	2353819	4/2009

OTHER PUBLICATIONS

Russian Appln. No. 2014504132/49, Decision to Grant dated Aug. 3, 2015, 9 pages.
 RU Patent Appln. No. 20 154778, Office Action dated Feb. 26, 2018, 10 pages.
 JP Patent Appln. No. 2016-514413, Office Action dated Feb. 6, 2016, 6 pages and English Translation, 6 pages.

* cited by examiner

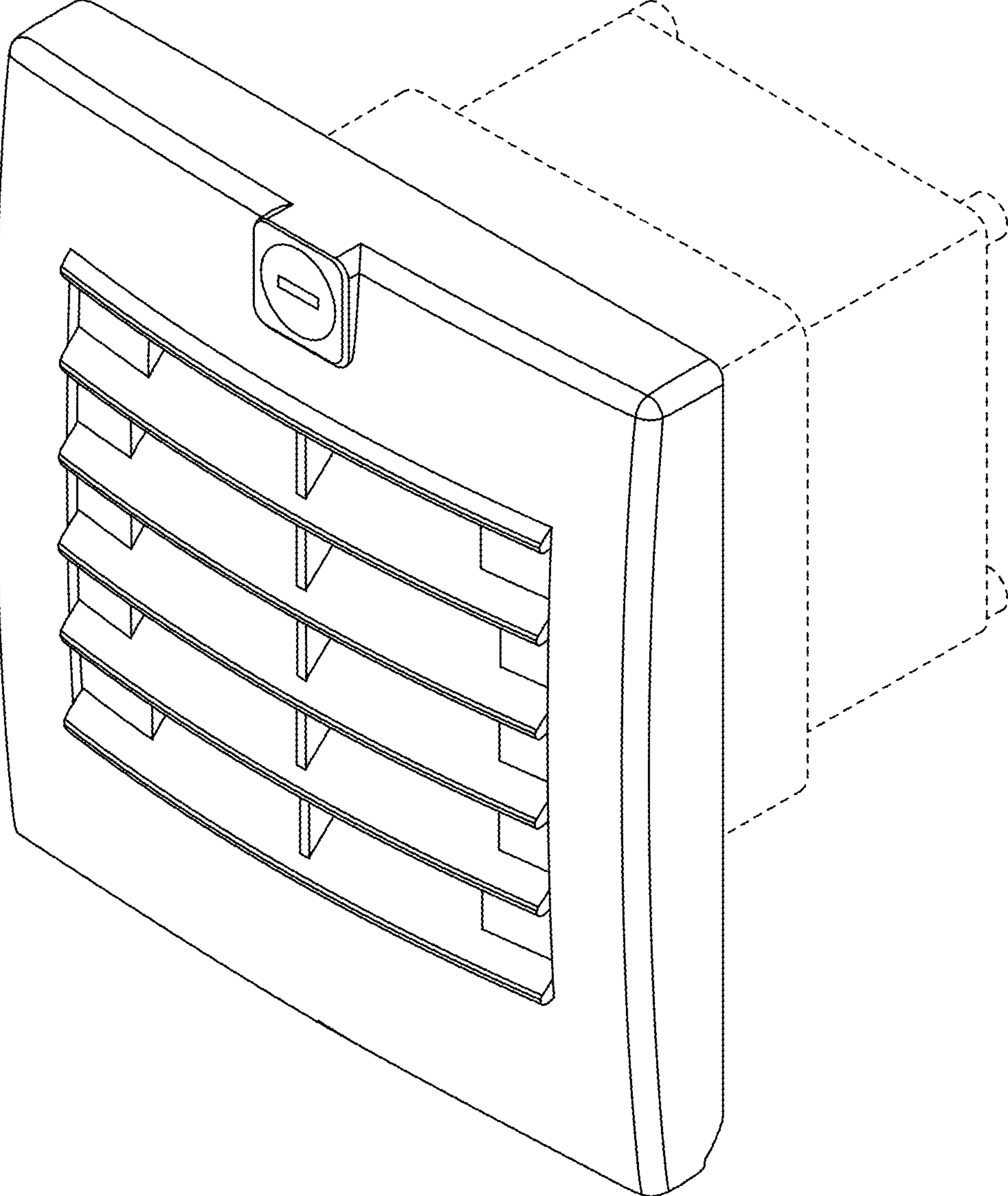


FIG. 1

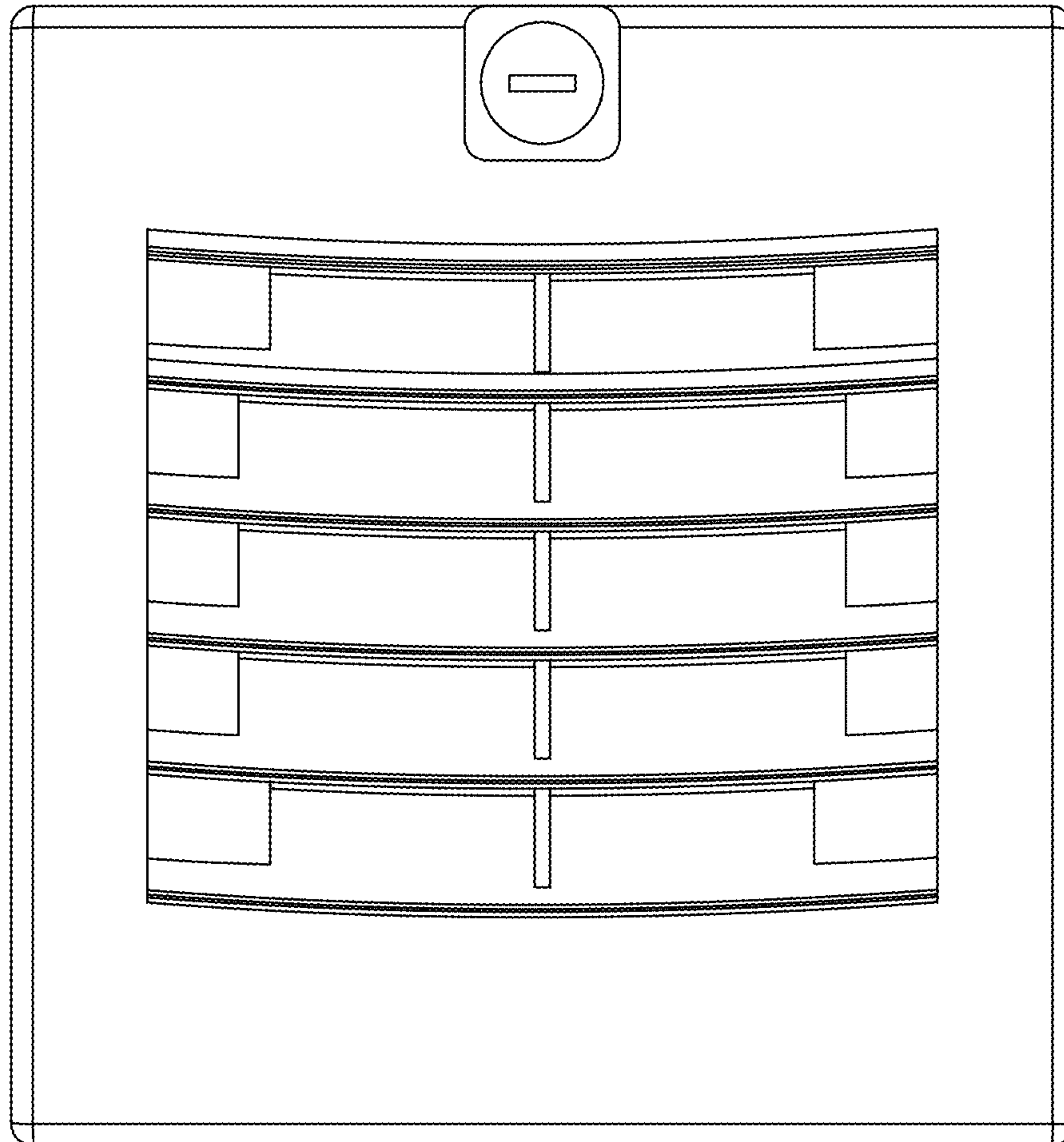


FIG. 2

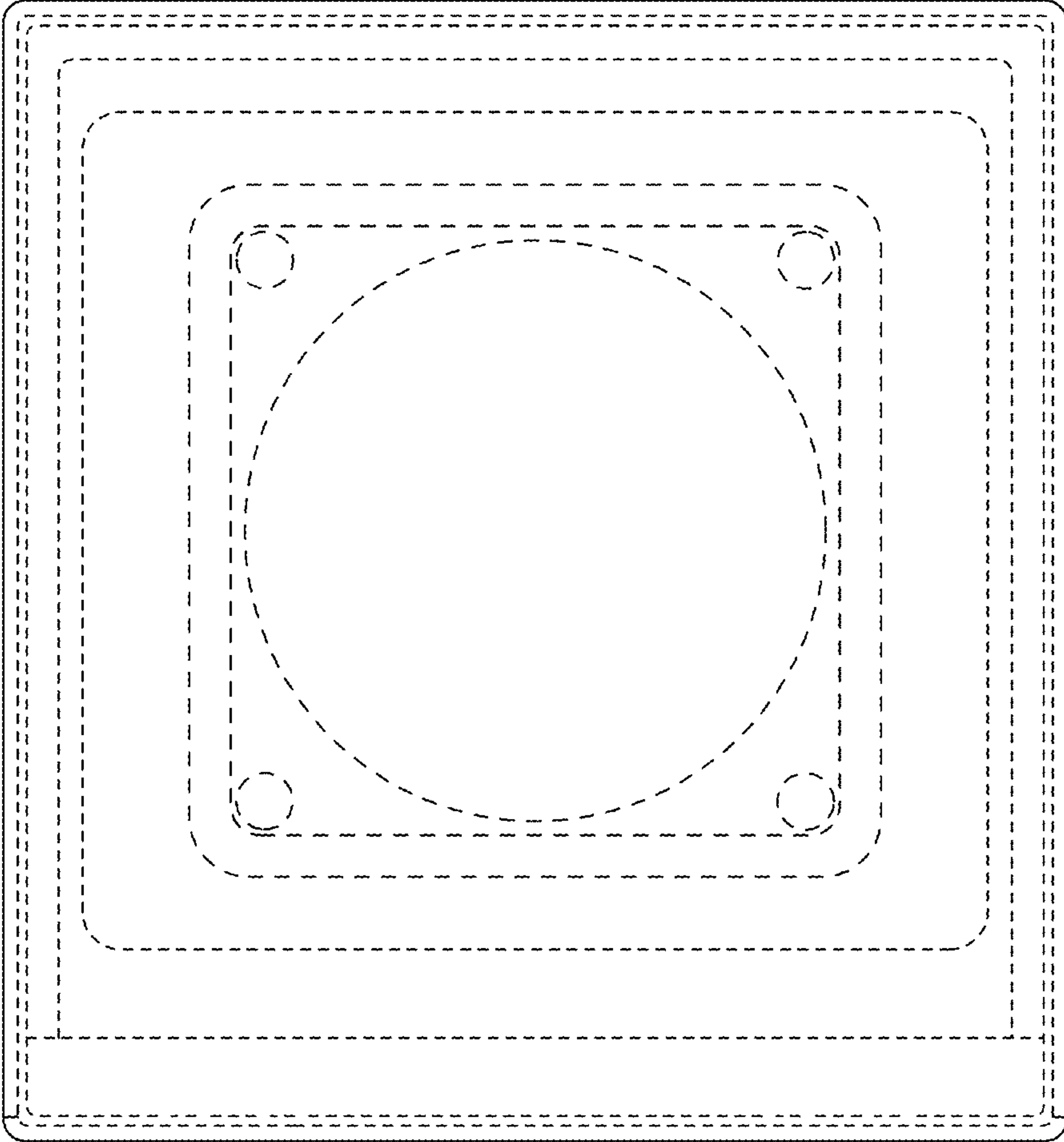


FIG. 3

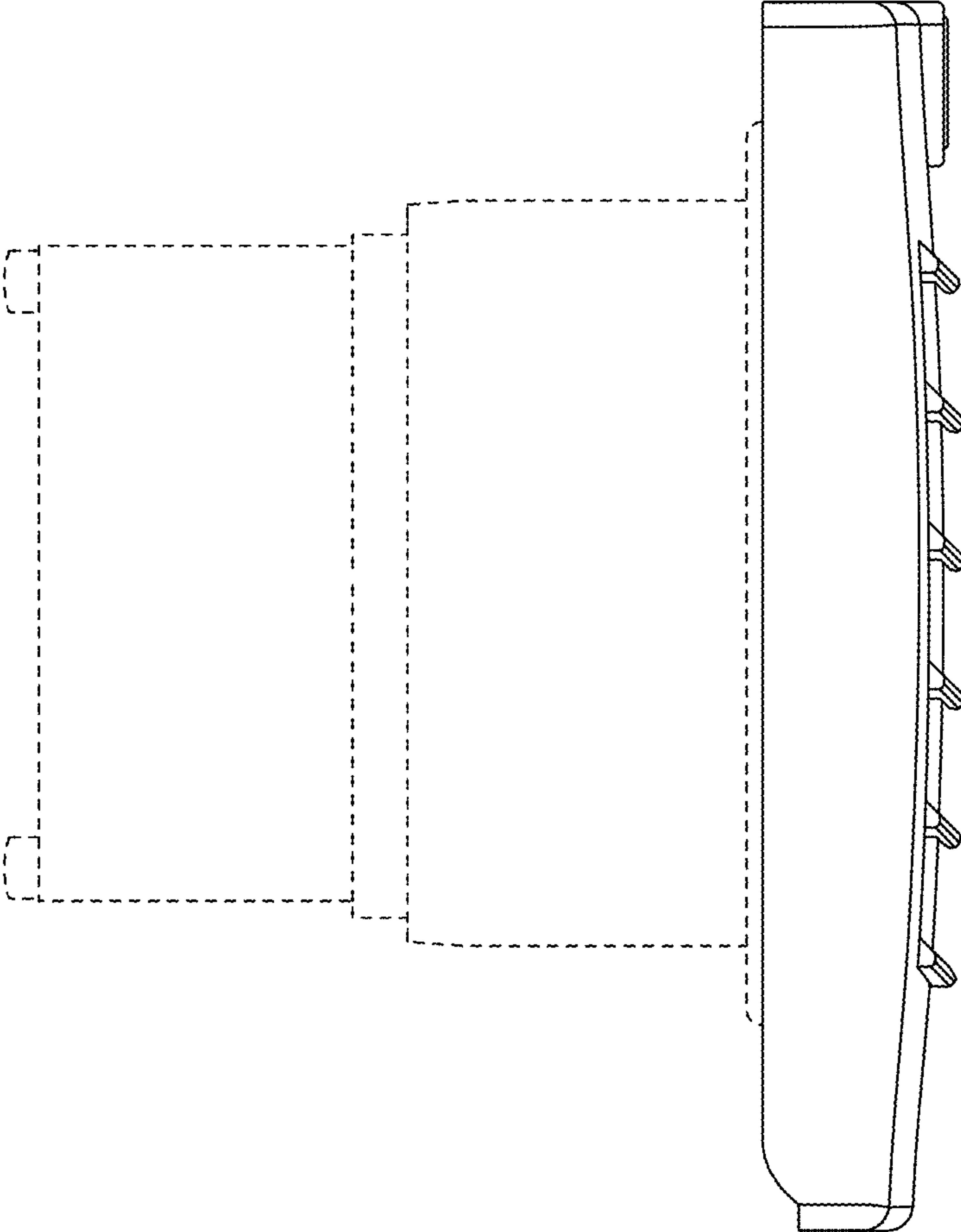


FIG. 4

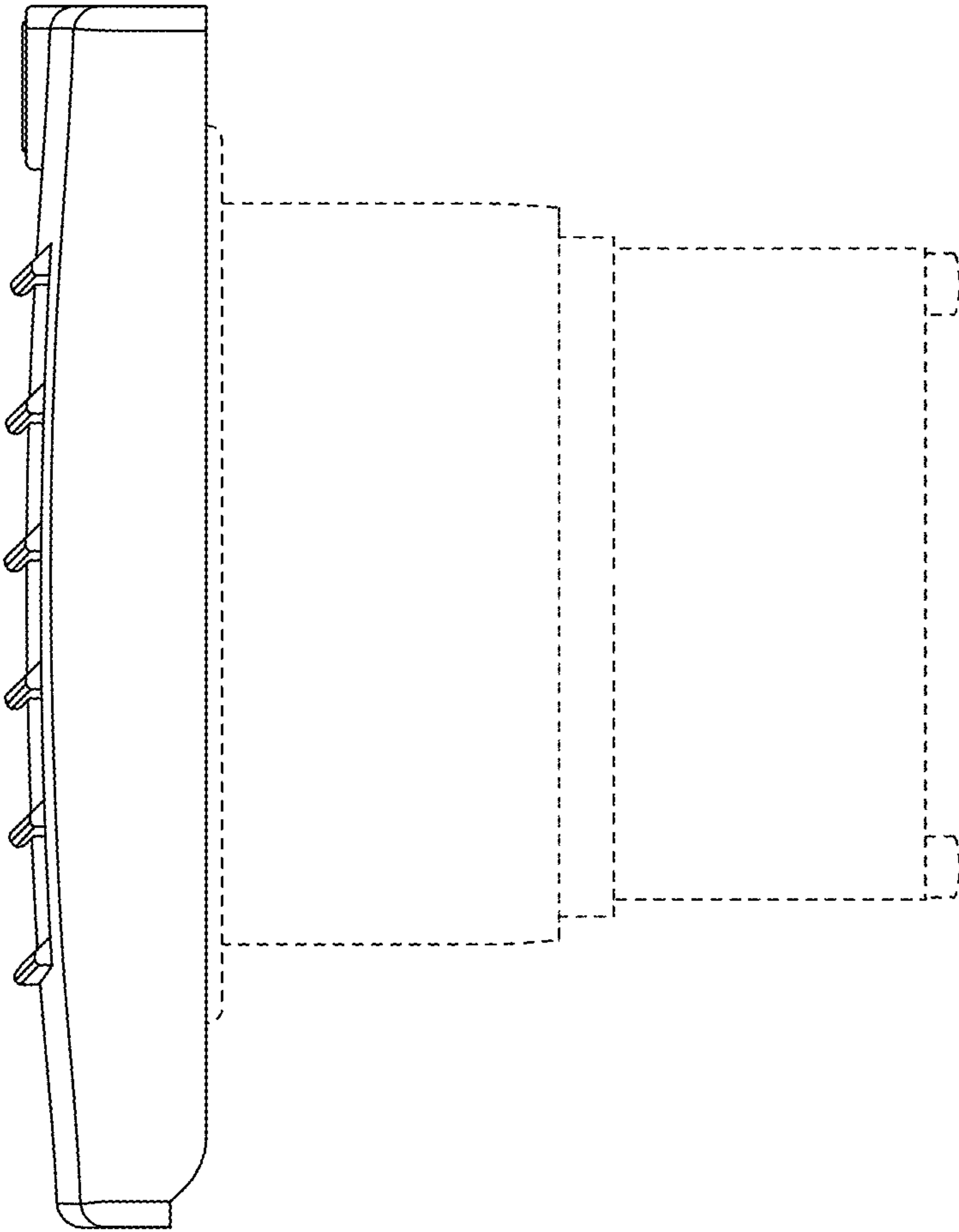


FIG. 5

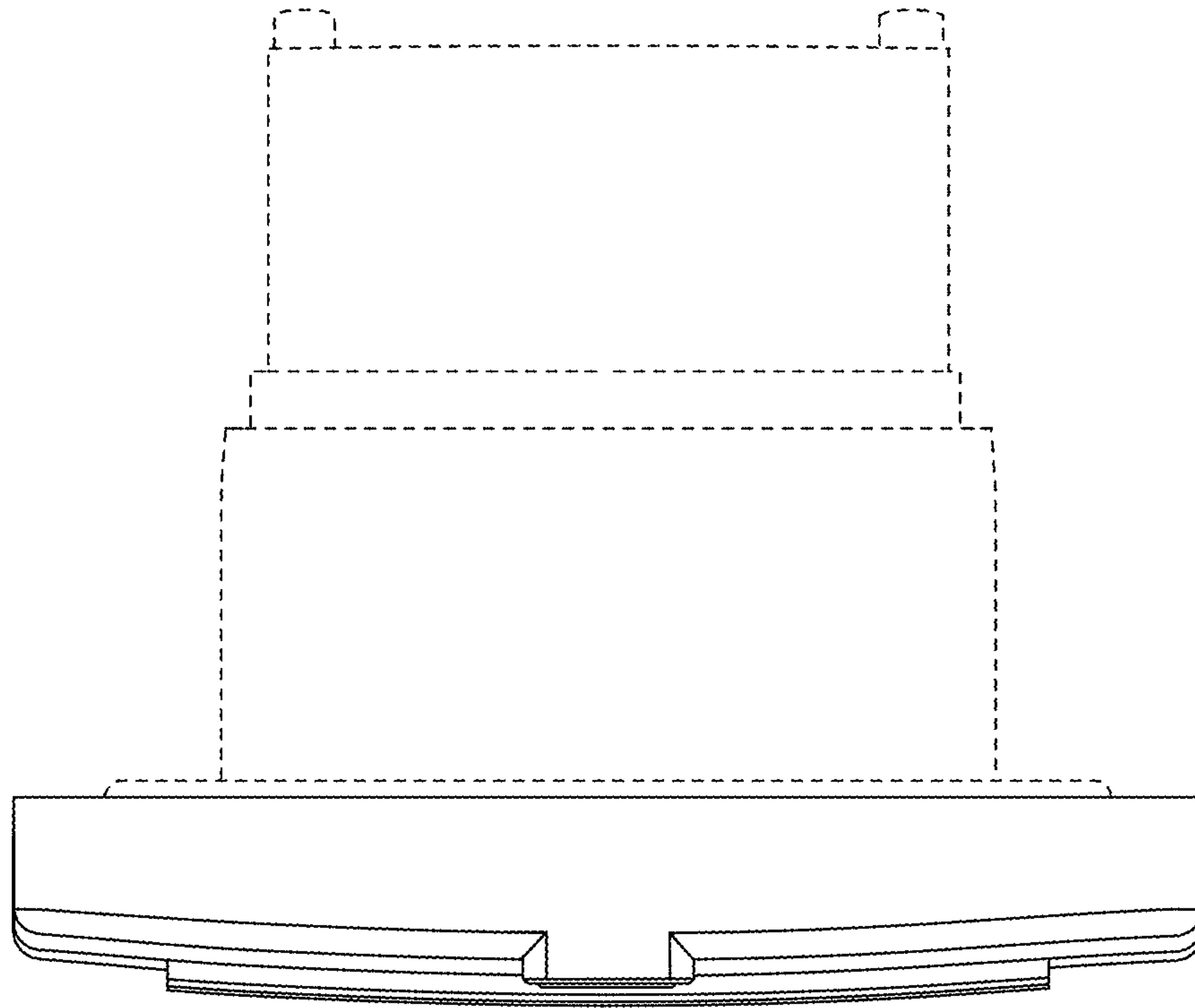


FIG. 6

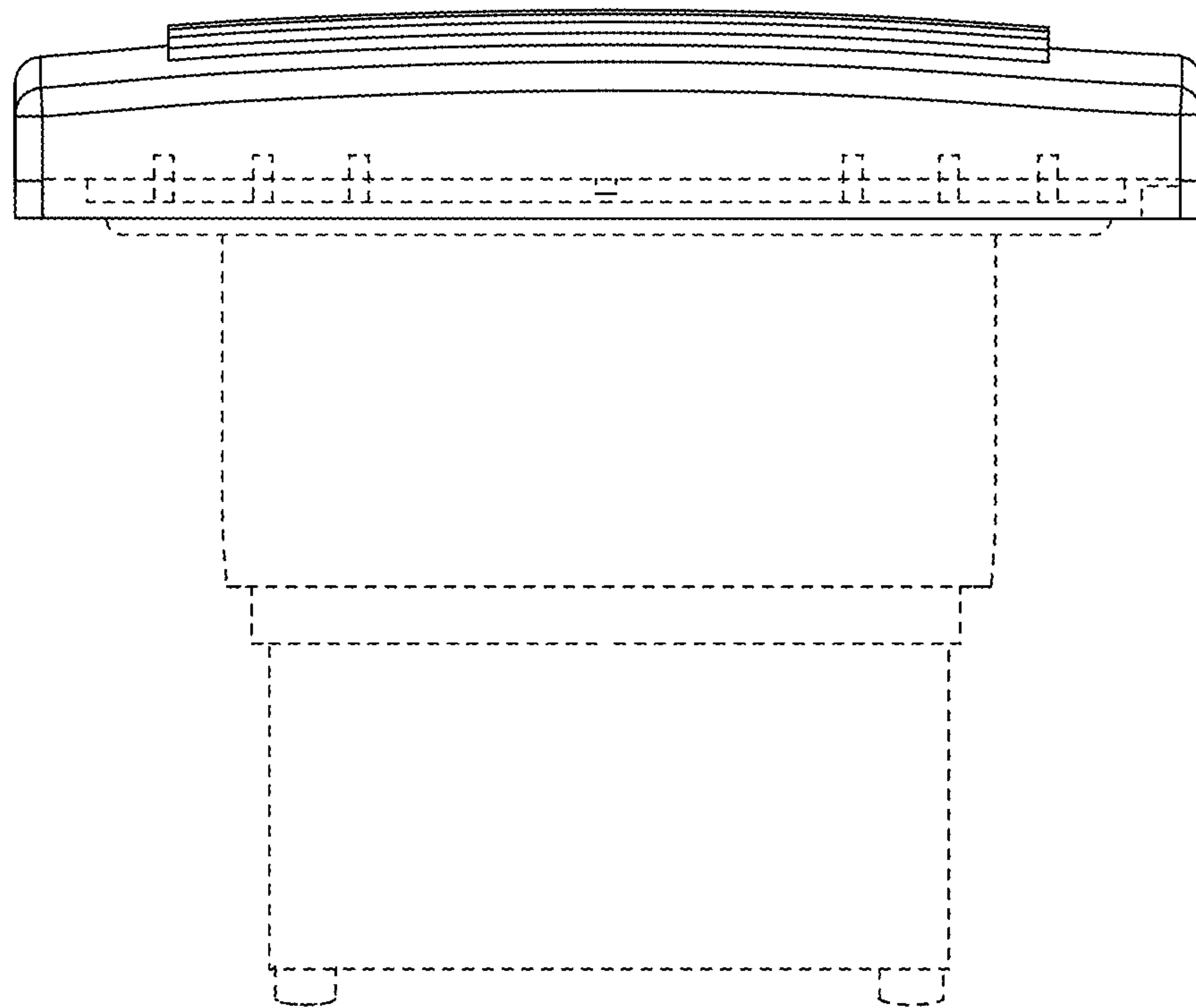


FIG. 7