



US00D816824S

(12) **United States Design Patent** (10) **Patent No.:** **US D816,824 S**  
**Ruan** (45) **Date of Patent:** **\*\* May 1, 2018**

(54) **FUME HOOD**

(71) Applicant: **Hongzheng Ruan**, Shanghai (CN)

(72) Inventor: **Hongzheng Ruan**, Shanghai (CN)

(73) Assignee: **Hongzheng Ruan**, Shanghai (CN)

(\*\*) Term: **15 Years**

(21) Appl. No.: **29/566,215**

(22) Filed: **May 27, 2016**

(51) **LOC (11) Cl.** ..... **23-04**

(52) **U.S. Cl.**  
USPC ..... **D23/371**

(58) **Field of Classification Search**  
USPC ..... D23/314, 355, 364, 370–372, 378,  
D23/386–397  
CPC ..... B08B 15/002; B08B 15/02; B08B 15/023  
See application file for complete search history.

(56) **References Cited**

**U.S. PATENT DOCUMENTS**

|               |         |            |       |             |
|---------------|---------|------------|-------|-------------|
| D201,678 S *  | 7/1965  | Hill       | ..... | D23/371     |
| 3,956,977 A * | 5/1976  | Turko      | ..... | B08B 15/023 |
|               |         |            |       | 24/350      |
| 4,150,606 A * | 4/1979  | Nelson     | ..... | B08B 15/023 |
|               |         |            |       | 422/567     |
| 4,377,969 A * | 3/1983  | Nelson     | ..... | B08B 15/023 |
|               |         |            |       | 454/59      |
| D286,324 S *  | 10/1986 | Parks      | ..... | D23/371     |
| D296,469 S *  | 6/1988  | Bianchetti | ..... | D23/370     |
| D360,682 S *  | 7/1995  | Gilkison   | ..... | D23/371     |
| D472,645 S *  | 4/2003  | Roepke     | ..... | D23/371     |
| D604,827 S *  | 11/2009 | Lin        | ..... | D23/372     |
| D641,861 S *  | 7/2011  | Okamoto    | ..... | D23/393     |

|                   |         |          |       |             |
|-------------------|---------|----------|-------|-------------|
| 2008/0009234 A1 * | 1/2008  | DeCastro | ..... | B08B 15/023 |
|                   |         |          |       | 454/49      |
| 2008/0278040 A1 * | 11/2008 | McCarthy | ..... | B01L 1/04   |
|                   |         |          |       | 312/209     |
| 2015/0367389 A1 * | 12/2015 | Lee      | ..... | B08B 15/023 |
|                   |         |          |       | 454/59      |

**OTHER PUBLICATIONS**

Laboratory fume hood / chemical / for perchloric acid handling / for acid digestion, posted date unknown, site visited Sep. 14, 2017, Copyright © 2017, Available from Internet, <[http://www.medicaexpo.com/prod/esco/product-75366-542519.html#product-item\\_765290](http://www.medicaexpo.com/prod/esco/product-75366-542519.html#product-item_765290)>.\*

\* cited by examiner

*Primary Examiner* — Cathron C Brooks

*Assistant Examiner* — Sharon S Oum

(74) *Attorney, Agent, or Firm* — Troutman Sanders LLP; James E. Schutz; Alexis N. Simpson

(57) **CLAIM**

The ornamental design for a fume hood, as shown and described.

**DESCRIPTION**

FIG. 1 is a perspective back view of a fume hood of the present invention;

FIG. 2 is a perspective front view of the fume hood of FIG. 1;

FIG. 3 is a front view of the fume hood of FIG. 1;

FIG. 4 is a back view of the fume hood of FIG. 1;

FIG. 5 is a left side view of the fume hood of FIG. 1;

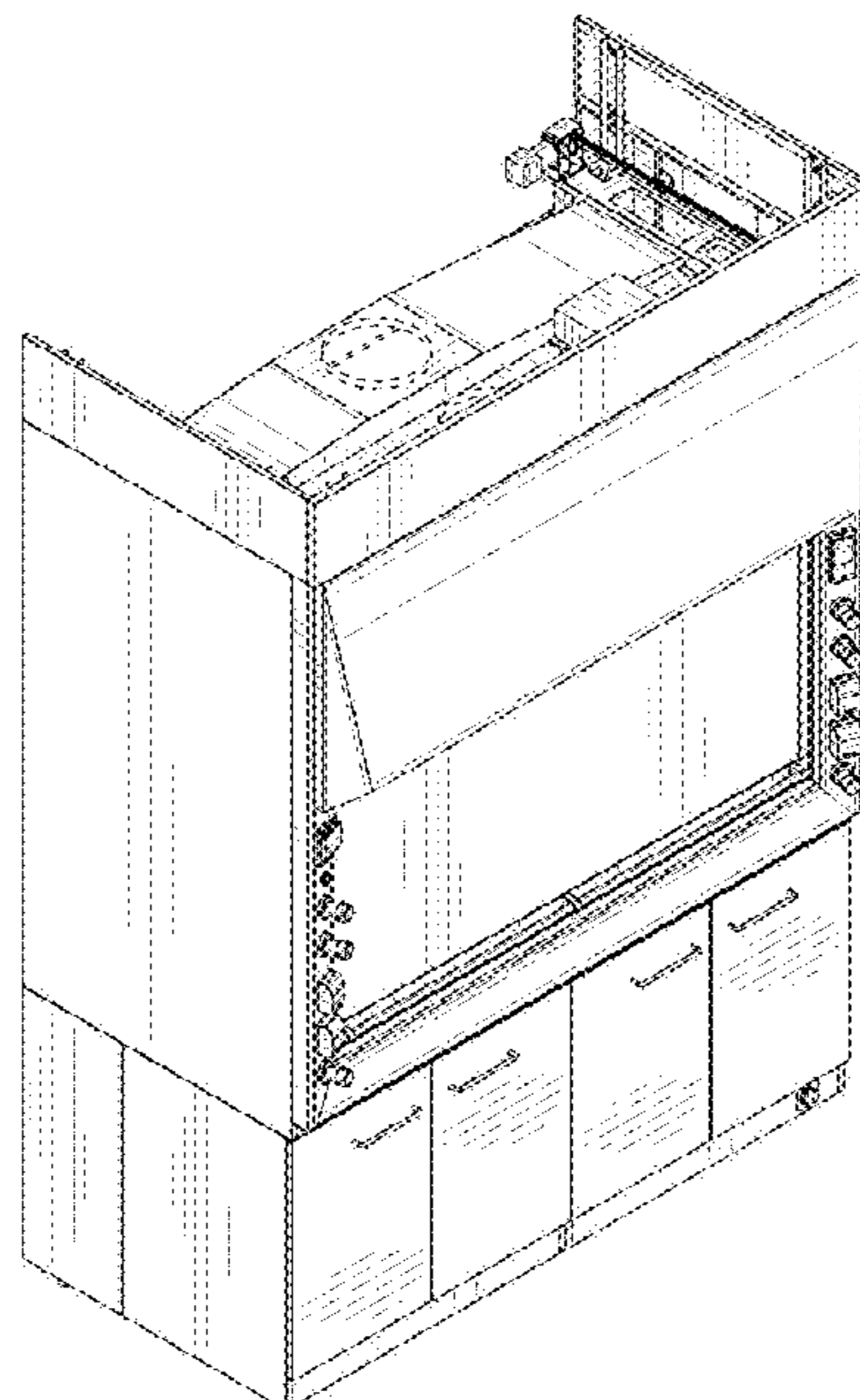
FIG. 6 is a right side view of the fume hood of FIG. 1;

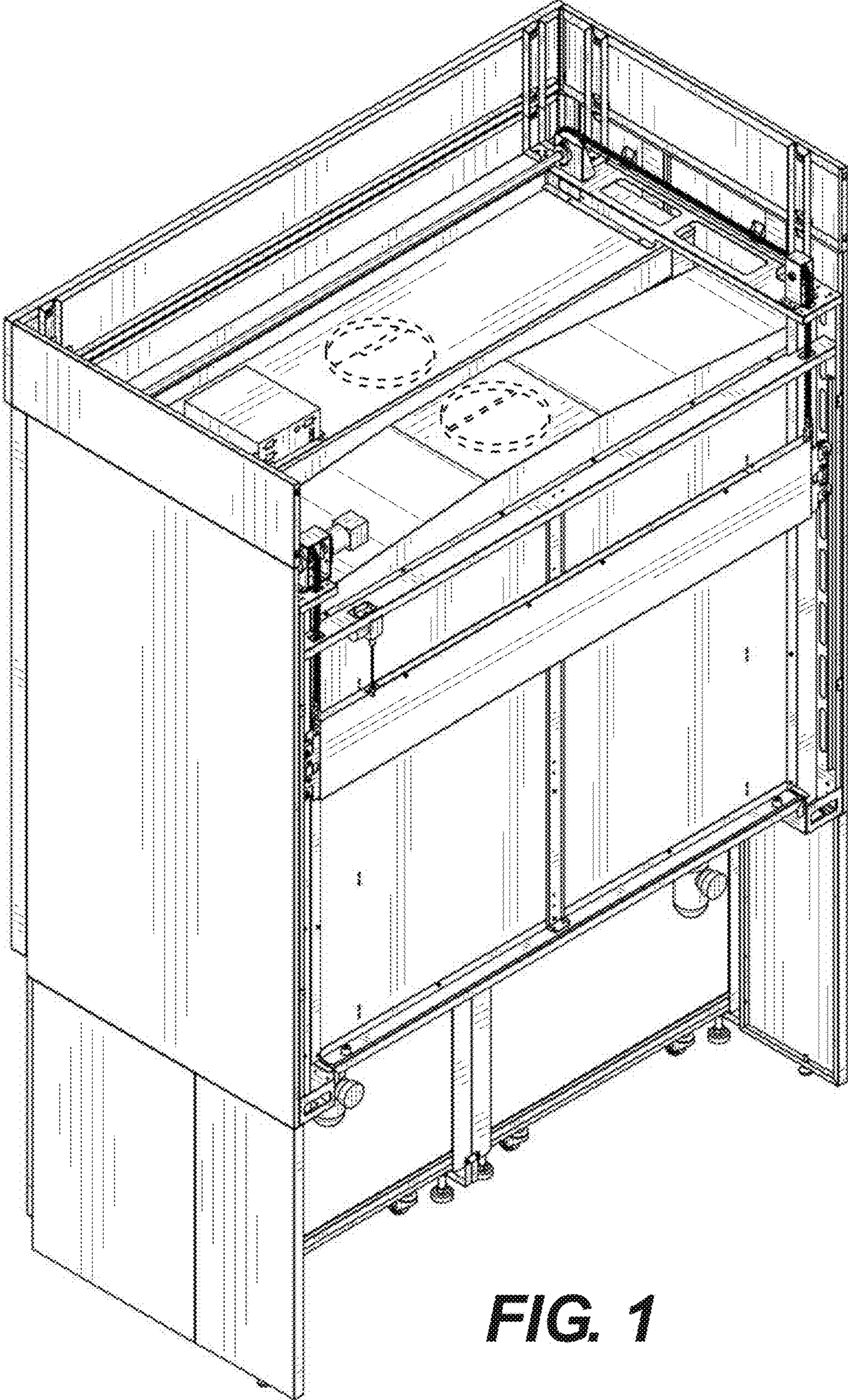
FIG. 7 is a top view of the fume hood of FIG. 1; and,

FIG. 8 is a bottom view of the fume hood of FIG. 1.

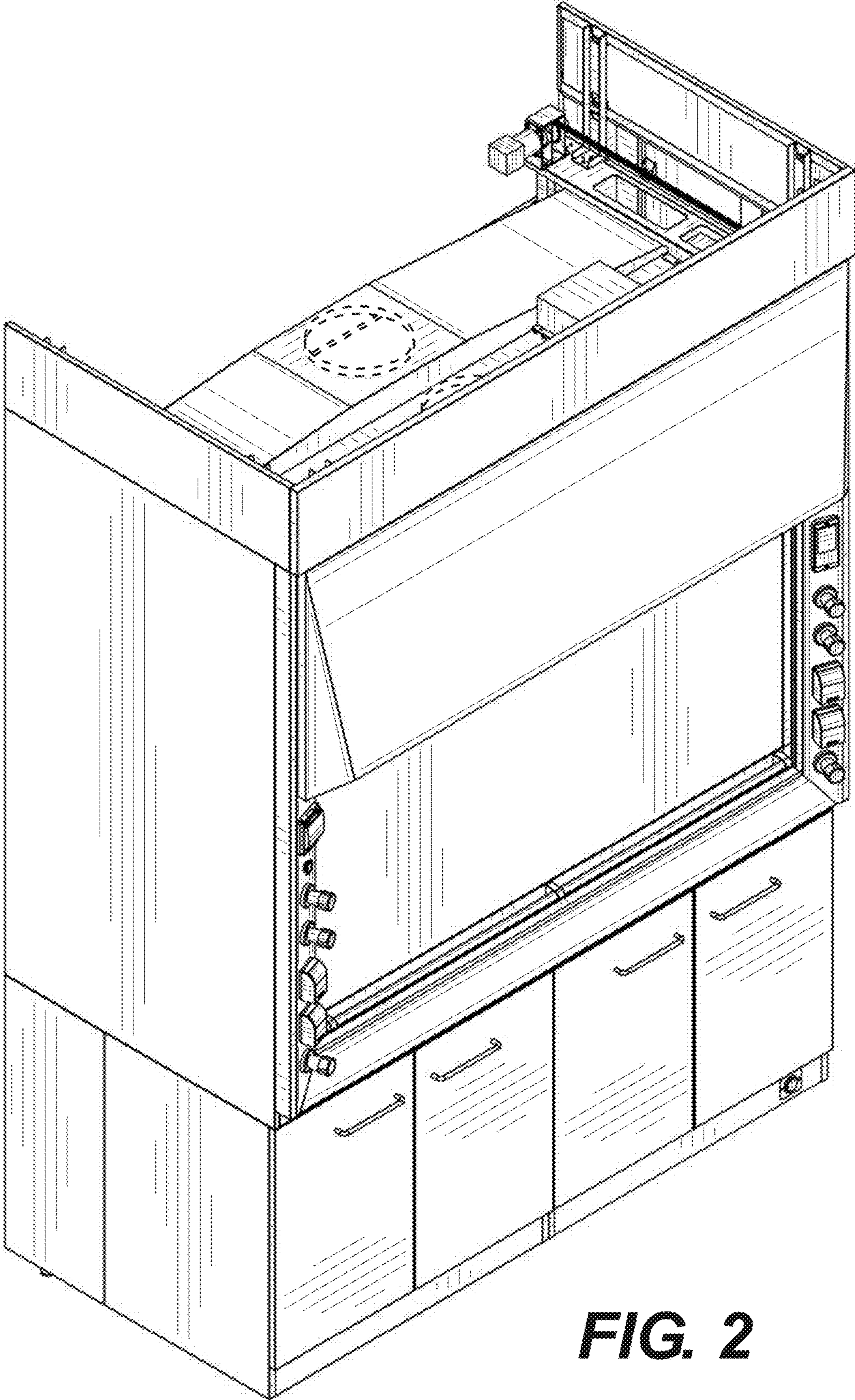
The broken lines illustrate portions of the fume hood that form no part of the claimed design.

**1 Claim, 8 Drawing Sheets**

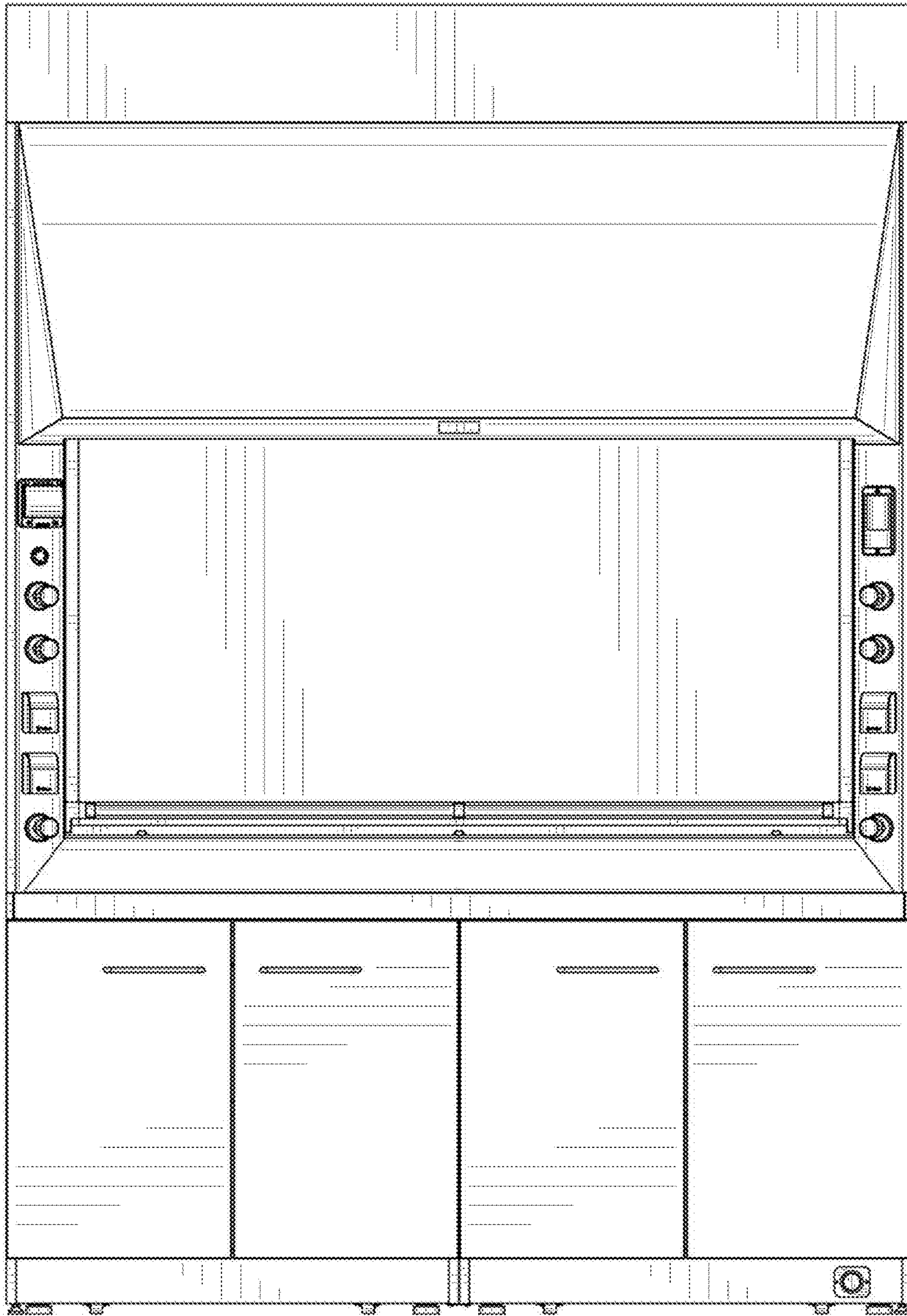




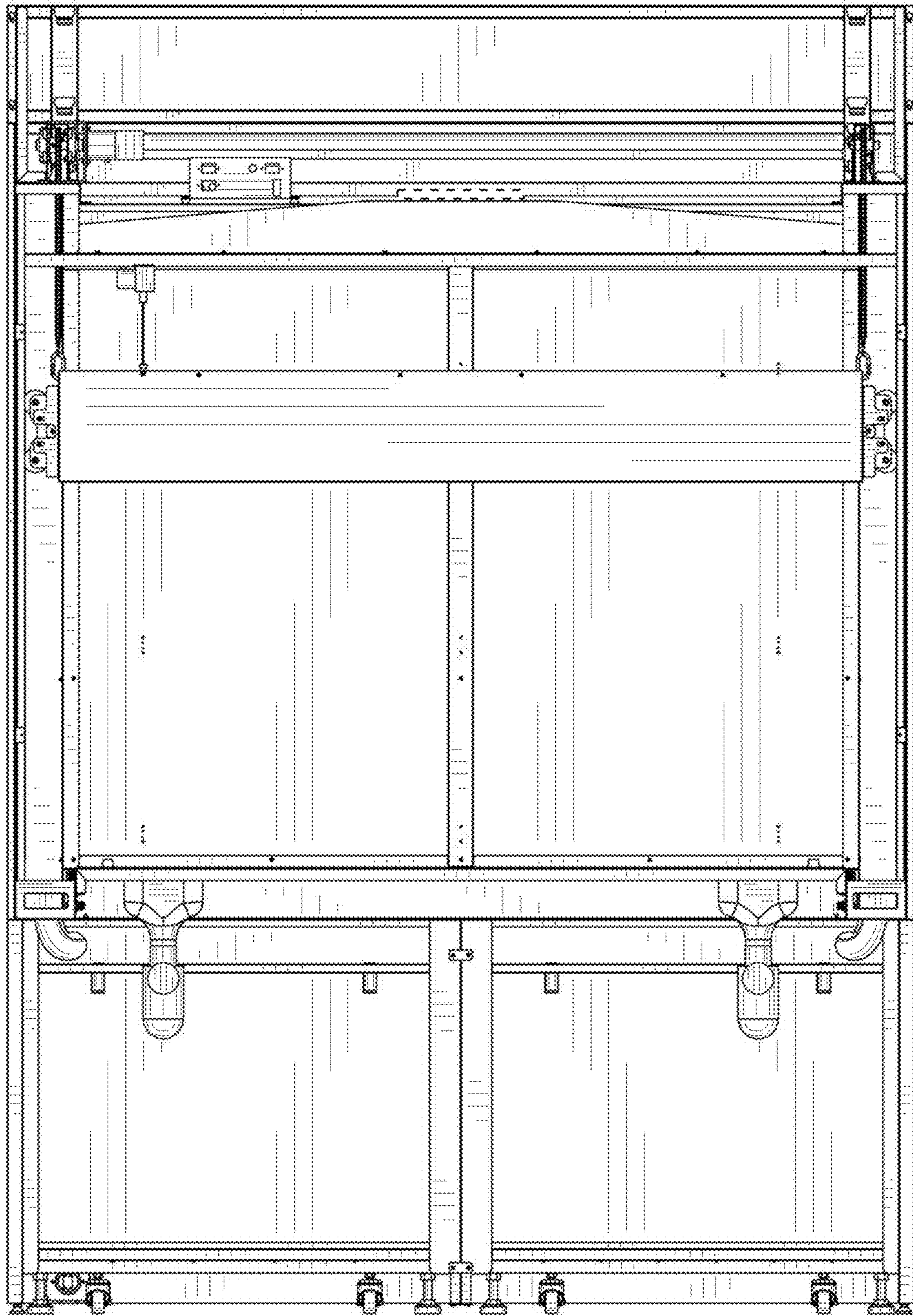
**FIG. 1**



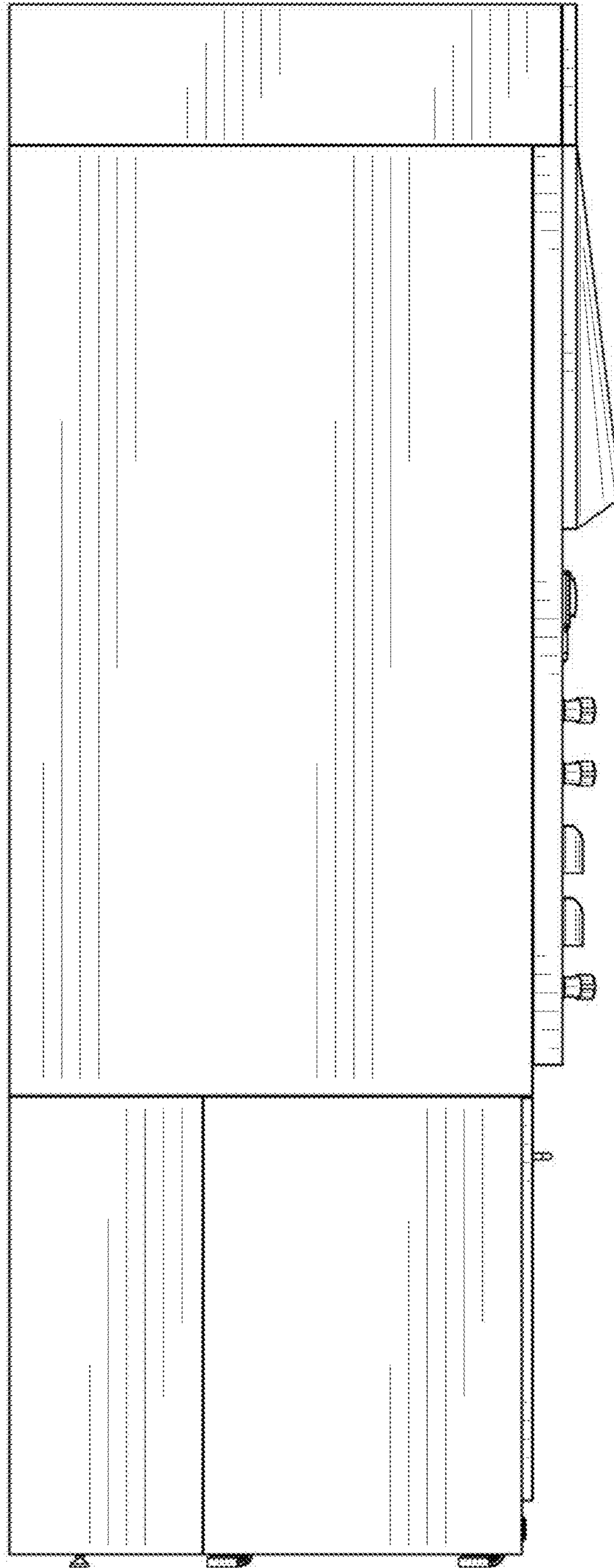
**FIG. 2**



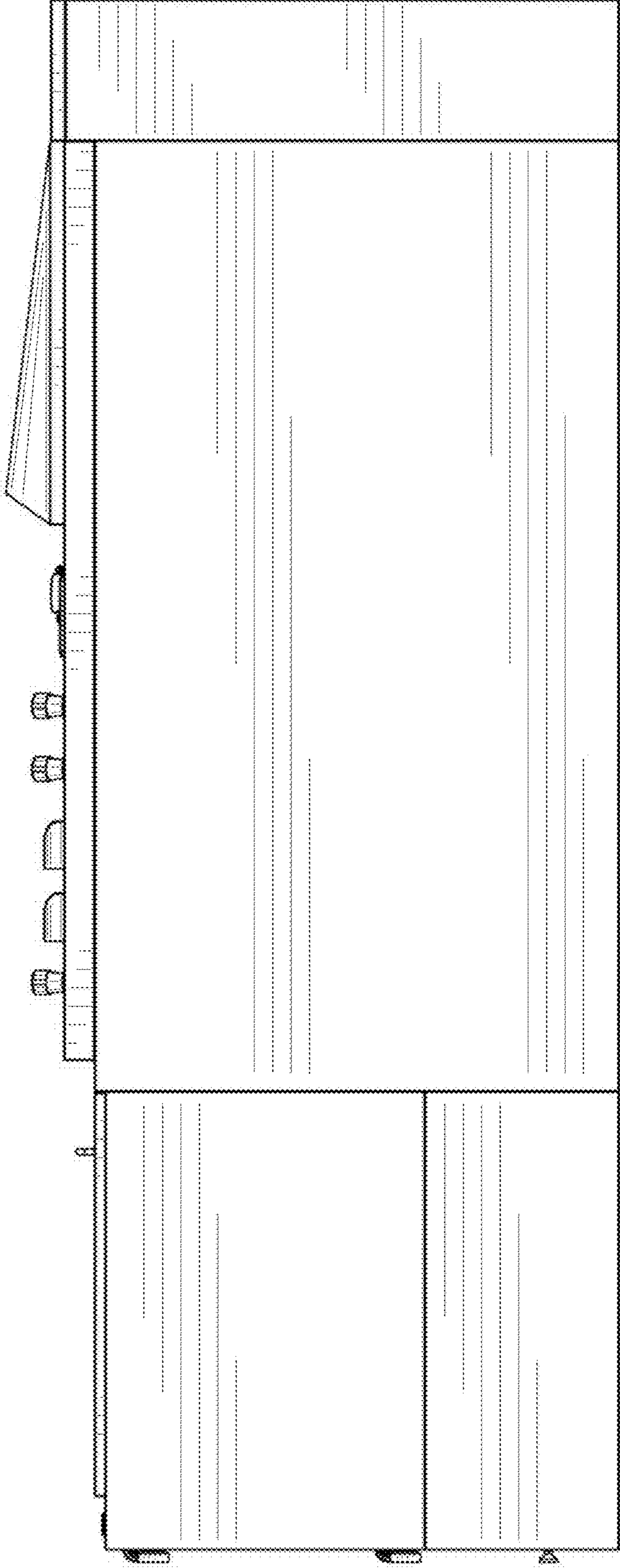
**FIG. 3**



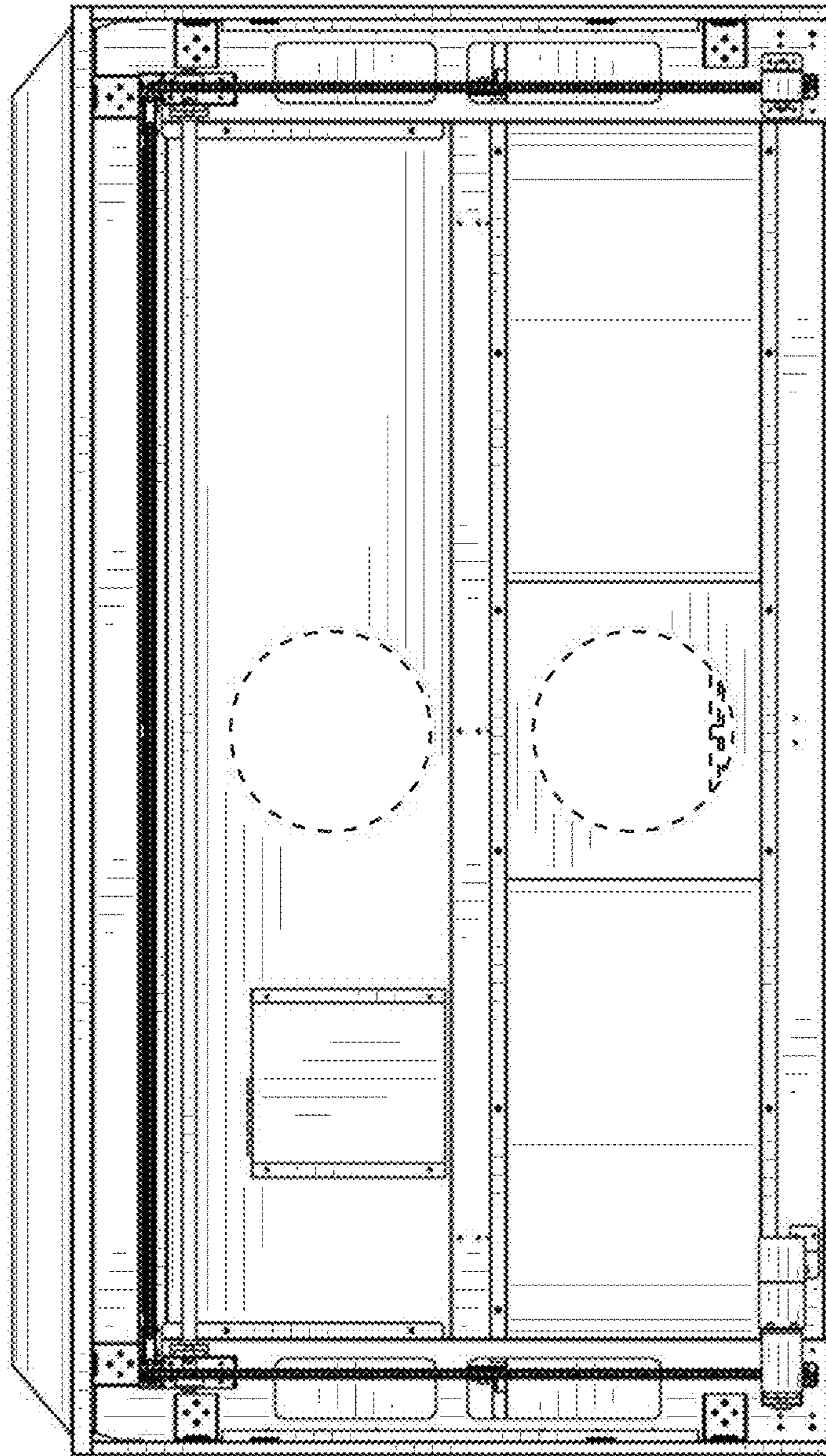
**FIG. 4**



**FIG. 5**

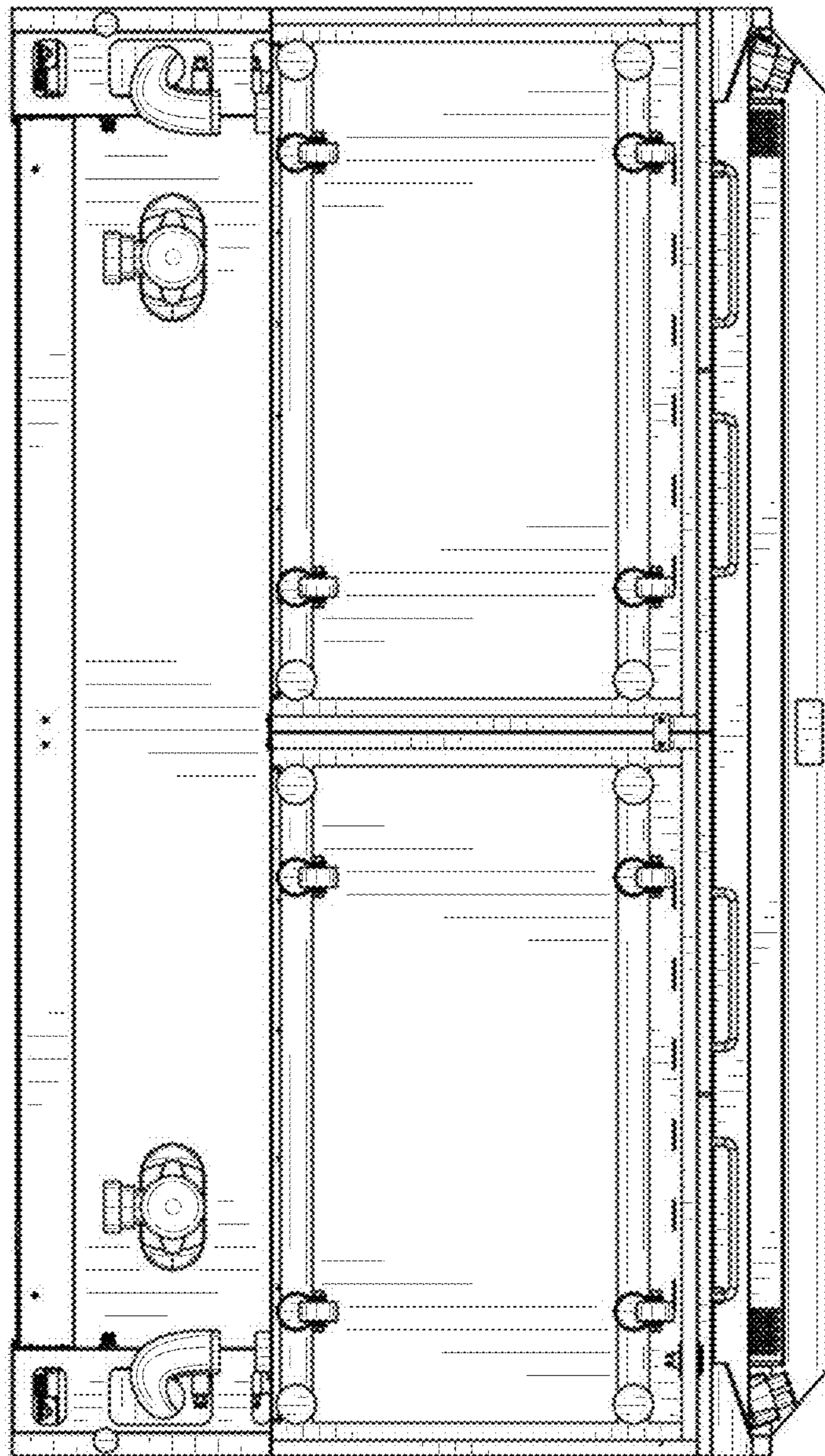


**FIG. 6**



**FIG. 7**





**FIG. 8**