



US00D816823S

(12) **United States Design Patent** (10) **Patent No.:** **US D816,823 S**  
**Gobber et al.** (45) **Date of Patent:** **\*\* May 1, 2018**

(54) **AIR DIFFUSER**

(71) Applicant: **ZOBELE HOLDING S.P.A.**, Trento (IT)

(72) Inventors: **Cedric Gobber**, Barcelona (ES);  
**Joaquim Llorente Alonso**, Barcelona (ES)

(73) Assignee: **ZOBELE HOLDING S.P.A.**, Trento (IT)

(\*\*) Term: **15 Years**

(21) Appl. No.: **35/501,135**

(22) Filed: **Dec. 23, 2015**

(80) **Hague Agreement Data**

Int. Filing Date: **Dec. 23, 2015**

Int. Reg. No.: **DM/091089**

Int. Reg. Date: **Dec. 23, 2015**

Int. Reg. Pub. Date: **Jun. 24, 2016**

(30) **Foreign Application Priority Data**

Jun. 26, 2015 (EM) ..... 002726802

(51) **LOC (11) Cl.** ..... **28-99**

(52) **U.S. Cl.**  
USPC ..... **D23/366**

(58) **Field of Classification Search**  
USPC ..... D23/355-369  
CPC ... A61L 9/02; A61L 9/03; A61L 9/034; A61L 9/04; A61L 9/12; A61L 9/032; A61L 9/122; A61L 9/127; A61L 9/22

See application file for complete search history.

(56) **References Cited**

U.S. PATENT DOCUMENTS

|              |         |          |       |         |
|--------------|---------|----------|-------|---------|
| D520,128 S * | 5/2006  | Caserta  | ..... | D23/366 |
| D522,118 S * | 5/2006  | Miro     | ..... | D23/366 |
| D523,129 S * | 6/2006  | Caserta  | ..... | D23/366 |
| D698,431 S * | 1/2014  | Garbusi  | ..... | D23/366 |
| D698,912 S * | 2/2014  | Garbusi  | ..... | D23/366 |
| D724,193 S * | 3/2015  | Esses    | ..... | D23/366 |
| D743,519 S * | 11/2015 | Furner   | ..... | D23/366 |
| D752,730 S * | 3/2016  | Loubiere | ..... | D23/366 |
| D763,430 S * | 8/2016  | Shin     | ..... | D23/368 |
| D776,247 S * | 1/2017  | King     | ..... | D23/366 |
| D782,638 S * | 3/2017  | Rossi    | ..... | D23/366 |

\* cited by examiner

*Primary Examiner* — Michael A. Pratt

(74) *Attorney, Agent, or Firm* — Ostrolenk Faber LLP

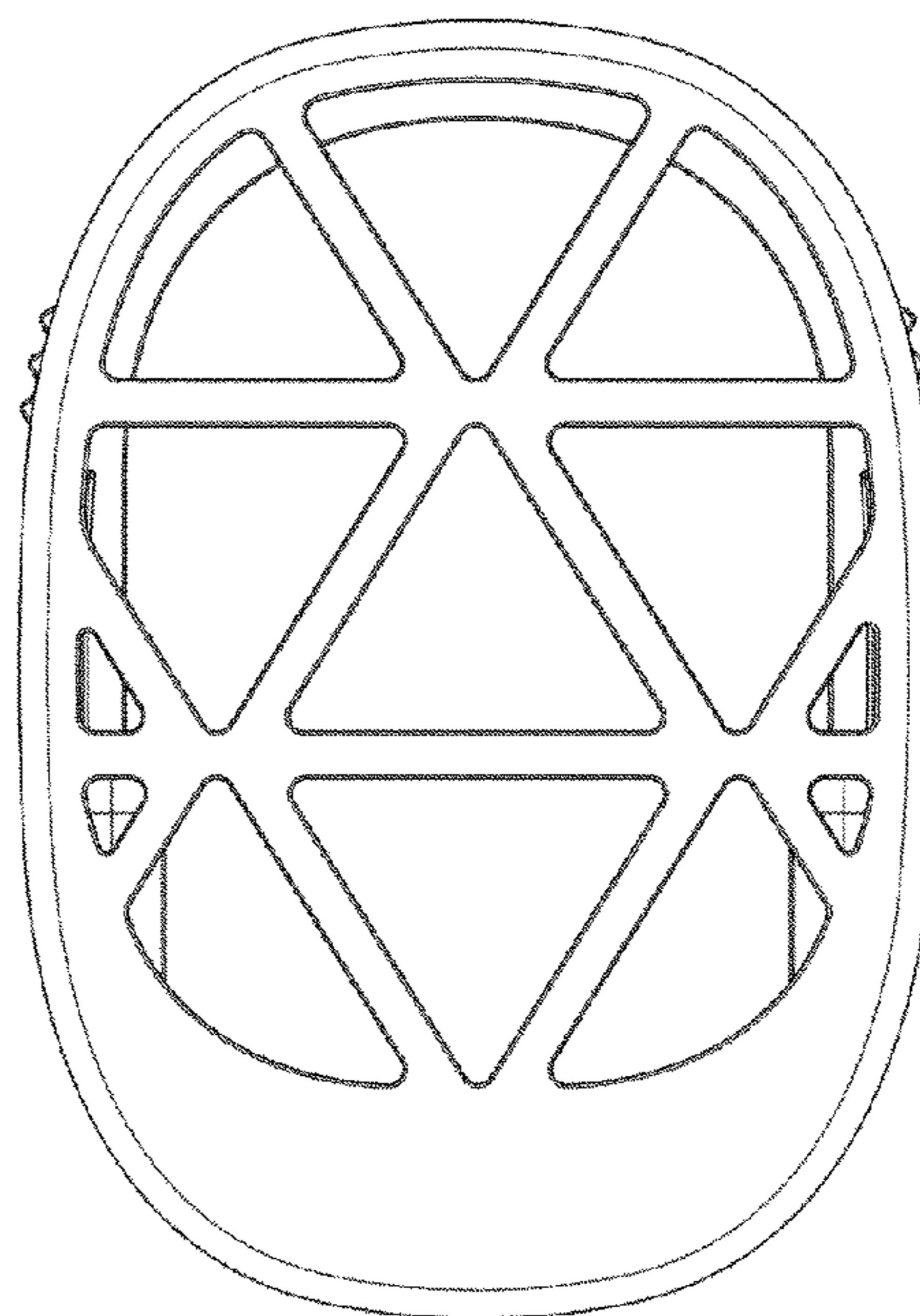
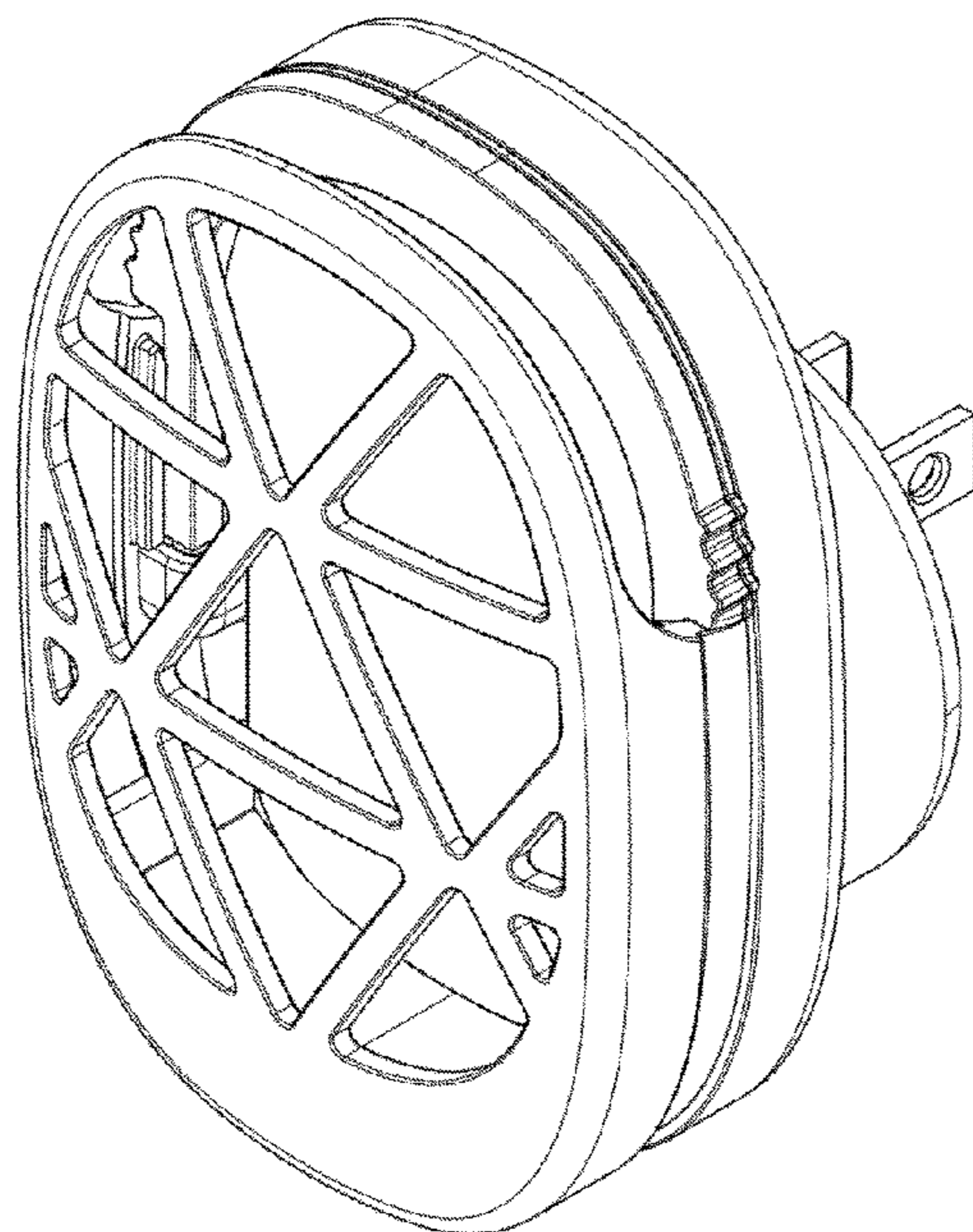
(57) **CLAIM**

The ornamental design for an air diffuser, as shown and described.

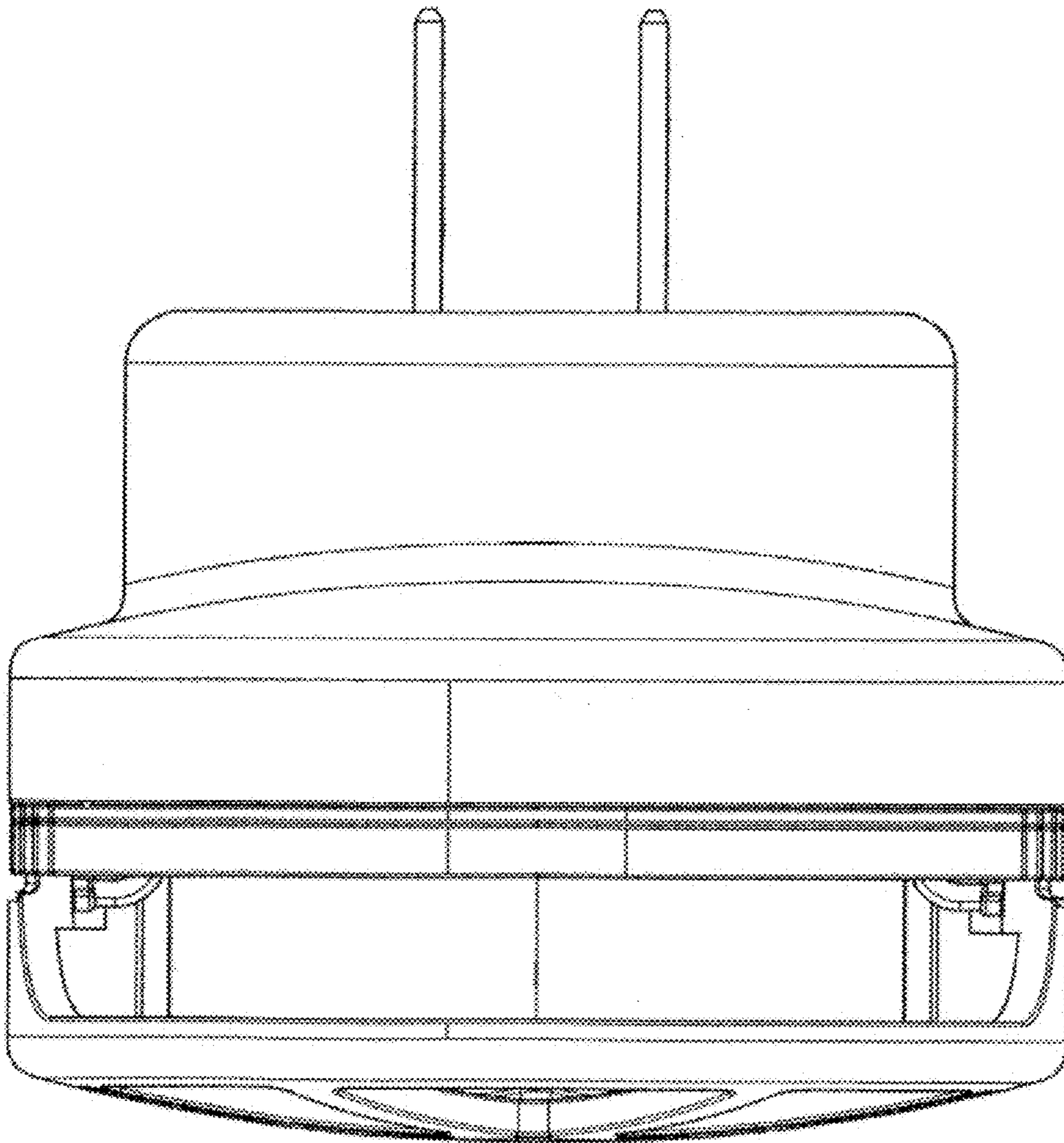
**DESCRIPTION**

1. Air diffuser
- 1.1 is a Top Plan view
- 1.2 is a Bottom Plan View
- 1.3 is a Perspective View
- 1.4 is a Right Elevation View
- 1.5 is a Rear Elevation View
- 1.6 is a Front Elevation View
- 1.7 is a Left Elevation View

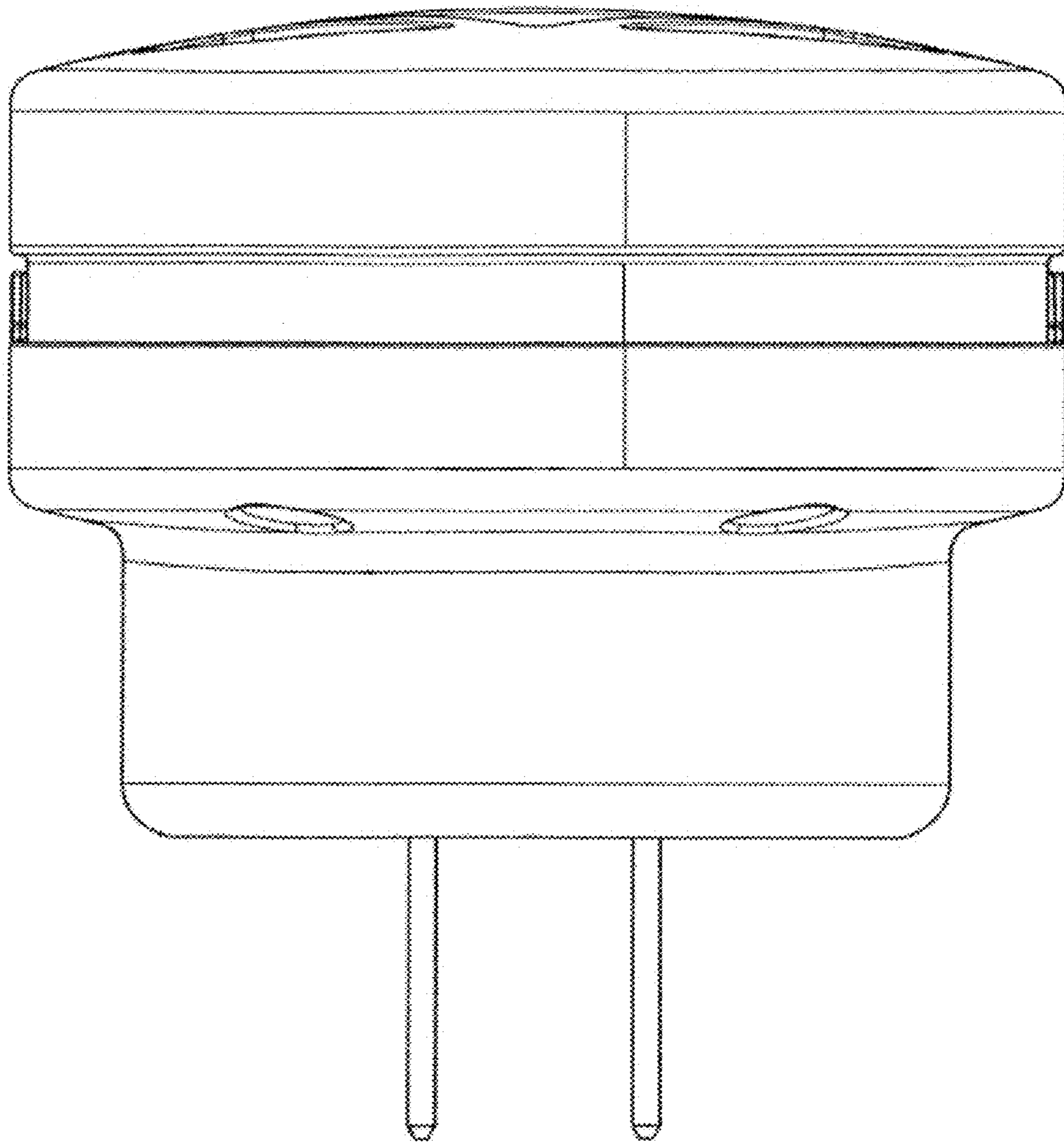
**1 Claim, 7 Drawing Sheets**



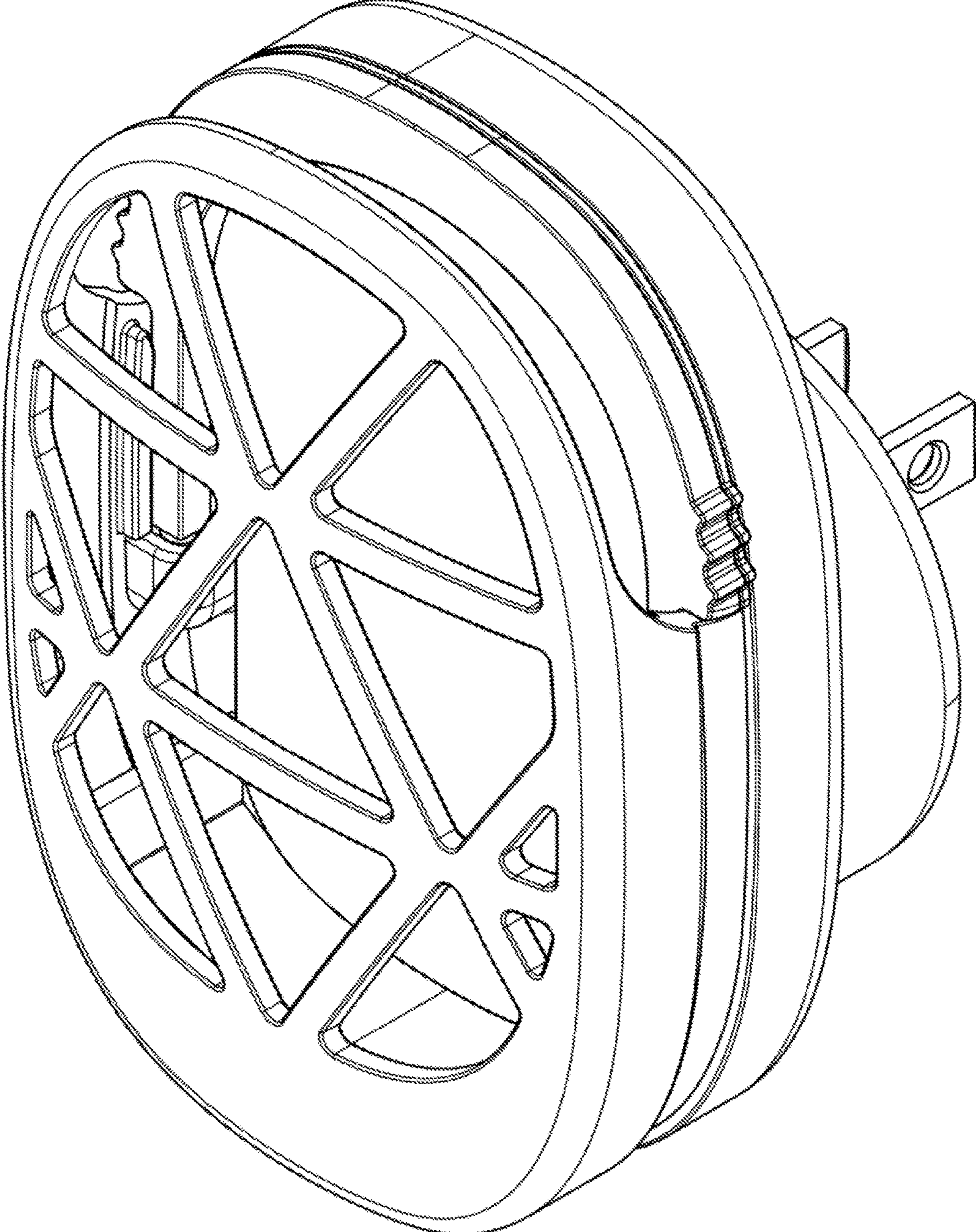
1.1



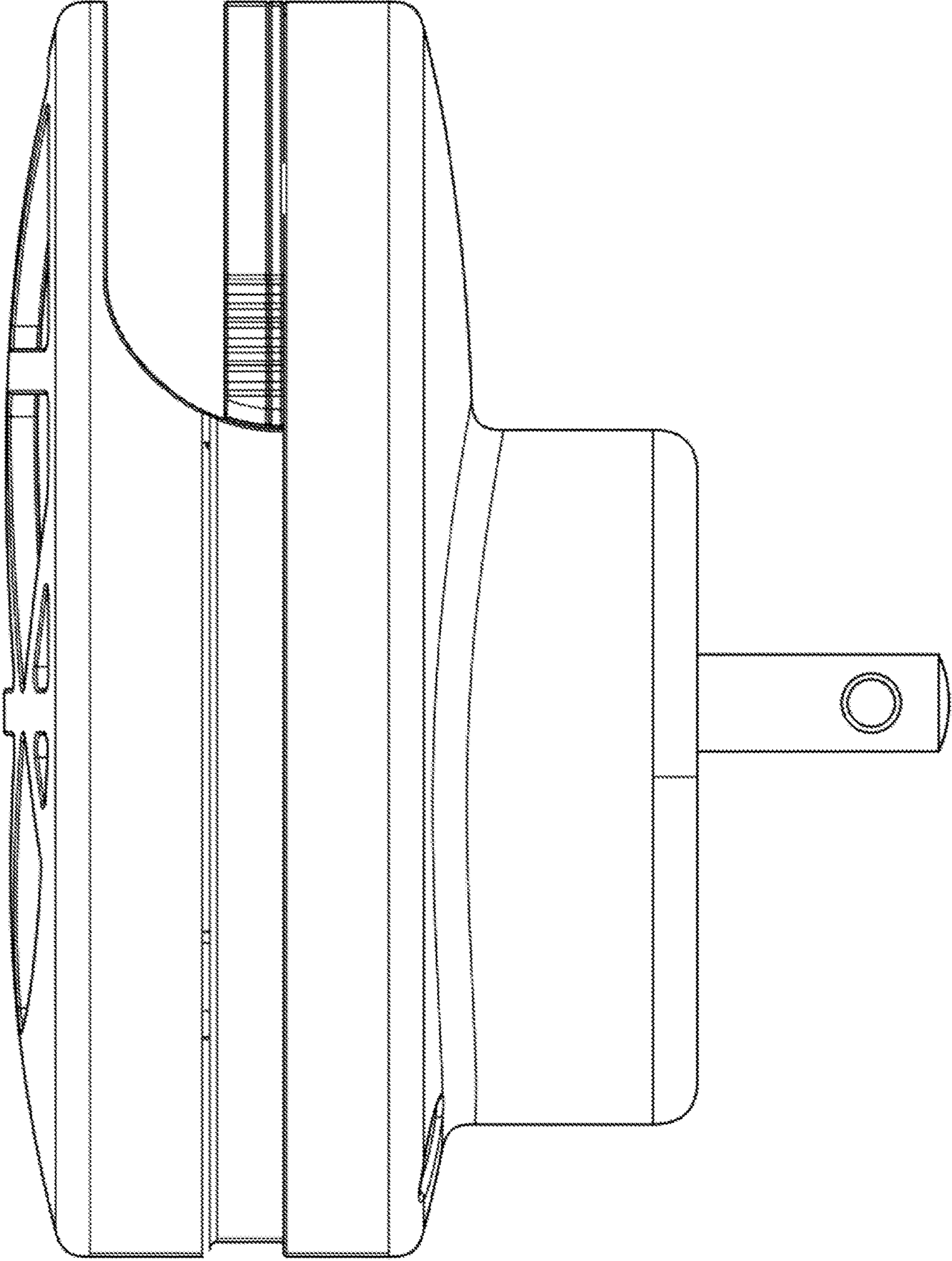
1.2



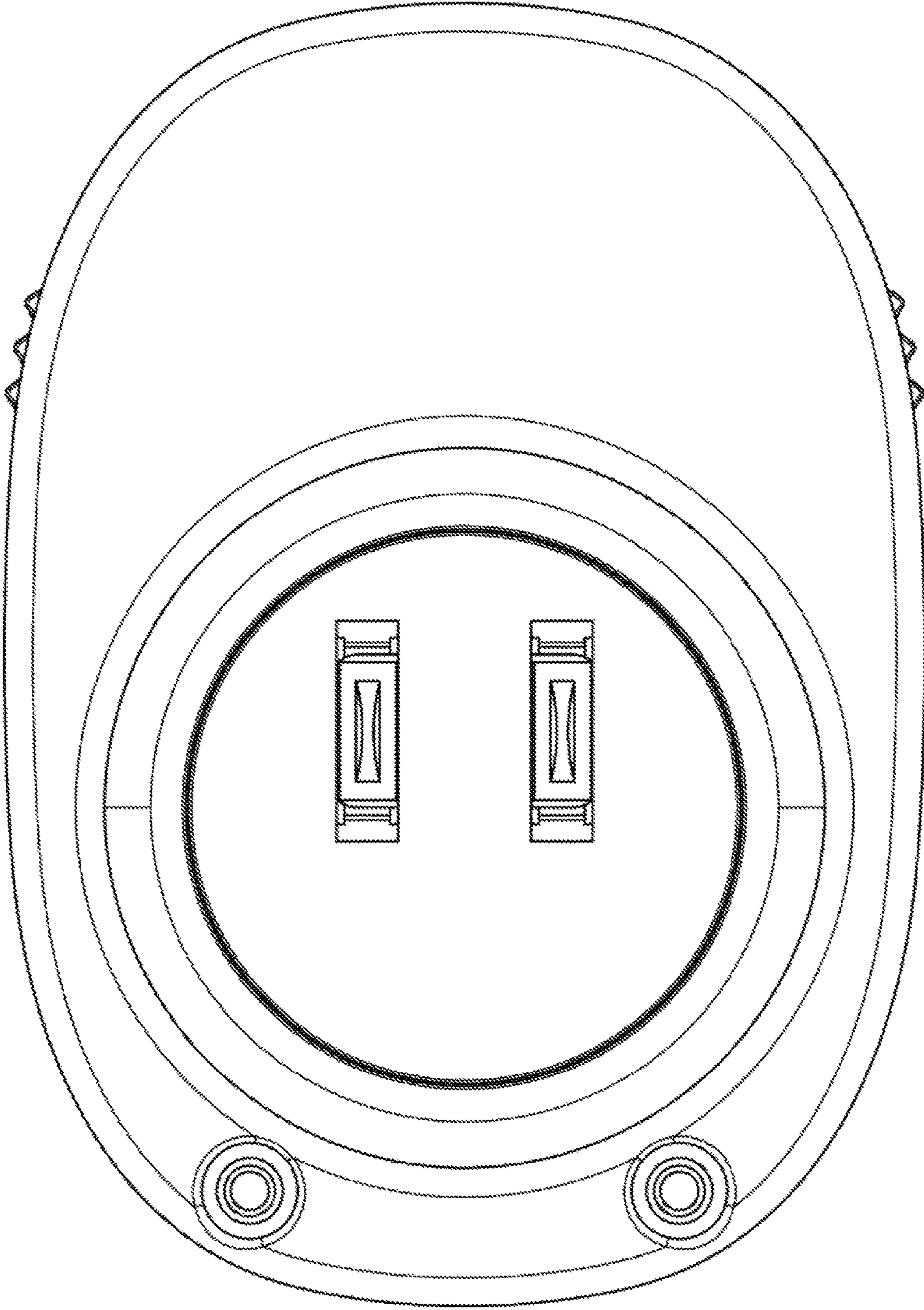
1.3



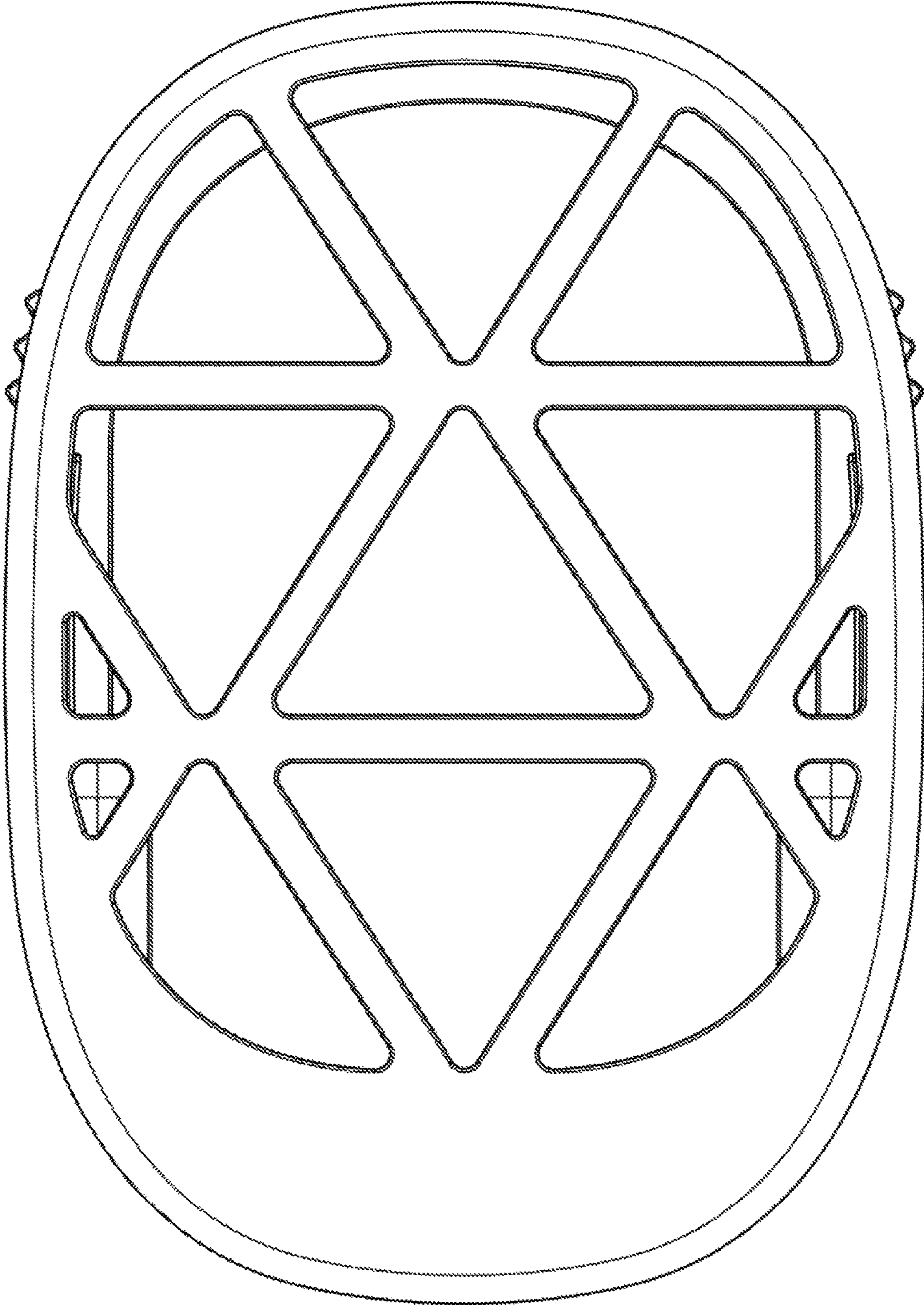
1.4



1.5



1.6



1.7

