



US00D816819S

(12) **United States Design Patent** (10) **Patent No.:** **US D816,819 S**  
**Xu** (45) **Date of Patent:** **\*\* May 1, 2018**

(54) **FOLDING TOILET SEAT** 5,005,223 A \* 4/1991 Greenwood ..... A47K 13/06  
4/235  
(71) Applicant: **Shenzhen Jingdu Technology Co., Ltd.**, Shenzhen, Guangdong (CN) D394,498 S \* 5/1998 Ritzer ..... D23/311  
D502,766 S \* 3/2005 Nash ..... D23/311  
D788,892 S \* 6/2017 Easley ..... D23/311

(72) Inventor: **Shaoyuan Xu**, Guangdong (CN)

\* cited by examiner

(73) Assignee: **SHENZHEN JINGDU TECHNOLOGY CO. LTD.**, Shenzhen (CN)

*Primary Examiner* — Robert M. Spear

*Assistant Examiner* — John A Voytek

(74) *Attorney, Agent, or Firm* — Law Offices of Steven W. Weinrieb

(\*\*) Term: **15 Years**

(21) Appl. No.: **29/611,928**

(22) Filed: **Jul. 26, 2017**

(51) **LOC (11) Cl.** ..... **23-02**

(52) **U.S. Cl.**  
USPC ..... **D23/311**

(58) **Field of Classification Search**  
USPC ..... D23/295–303, 307, 309, 310, 311, 313;  
D6/349, 354, 356, 601, 611, 716.4, 716.5;  
D21/414, 415; D24/200  
CPC ..... A47K 11/00; A47K 13/00; Y10S 4/05;  
A47G 9/10  
See application file for complete search history.

(56) **References Cited**

**U.S. PATENT DOCUMENTS**

1,633,222 A \* 6/1927 Noble ..... A47K 13/06  
4/239  
D291,348 S \* 8/1987 Harrison ..... D23/311

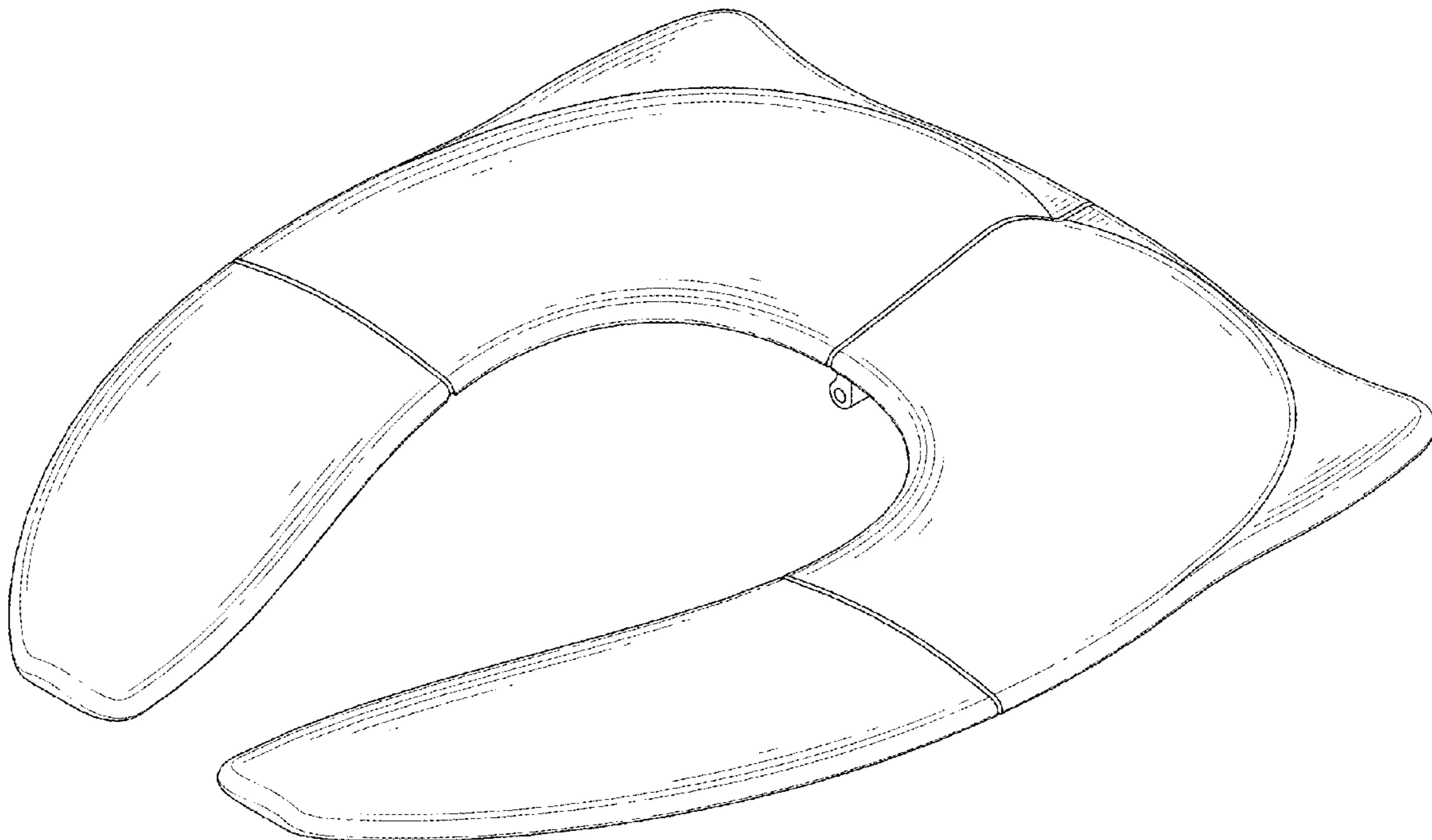
(57) **CLAIM**

The ornamental design for a folding toilet seat, as shown and described.

**DESCRIPTION**

FIG. 1 is a first perspective view of a folding toilet seat showing my new design;  
FIG. 2 is a second perspective view thereof;  
FIG. 3 is a front elevational view thereof;  
FIG. 4 is a rear elevational view thereof;  
FIG. 5 is a left side view thereof;  
FIG. 6 is a right side view thereof;  
FIG. 7 is a top plan view thereof; and,  
FIG. 8 is a bottom plan view thereof.

**1 Claim, 8 Drawing Sheets**



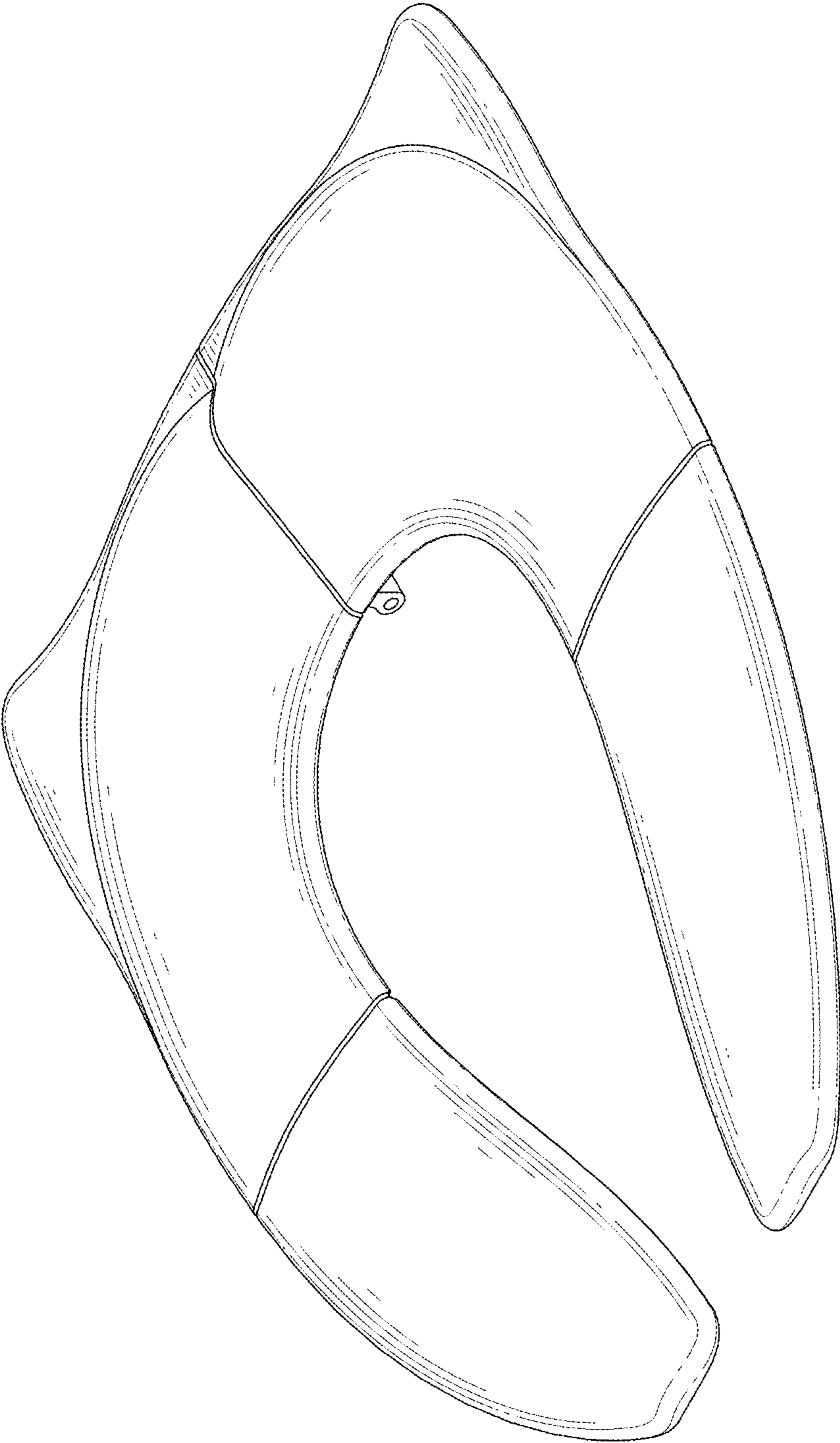


FIG. 1

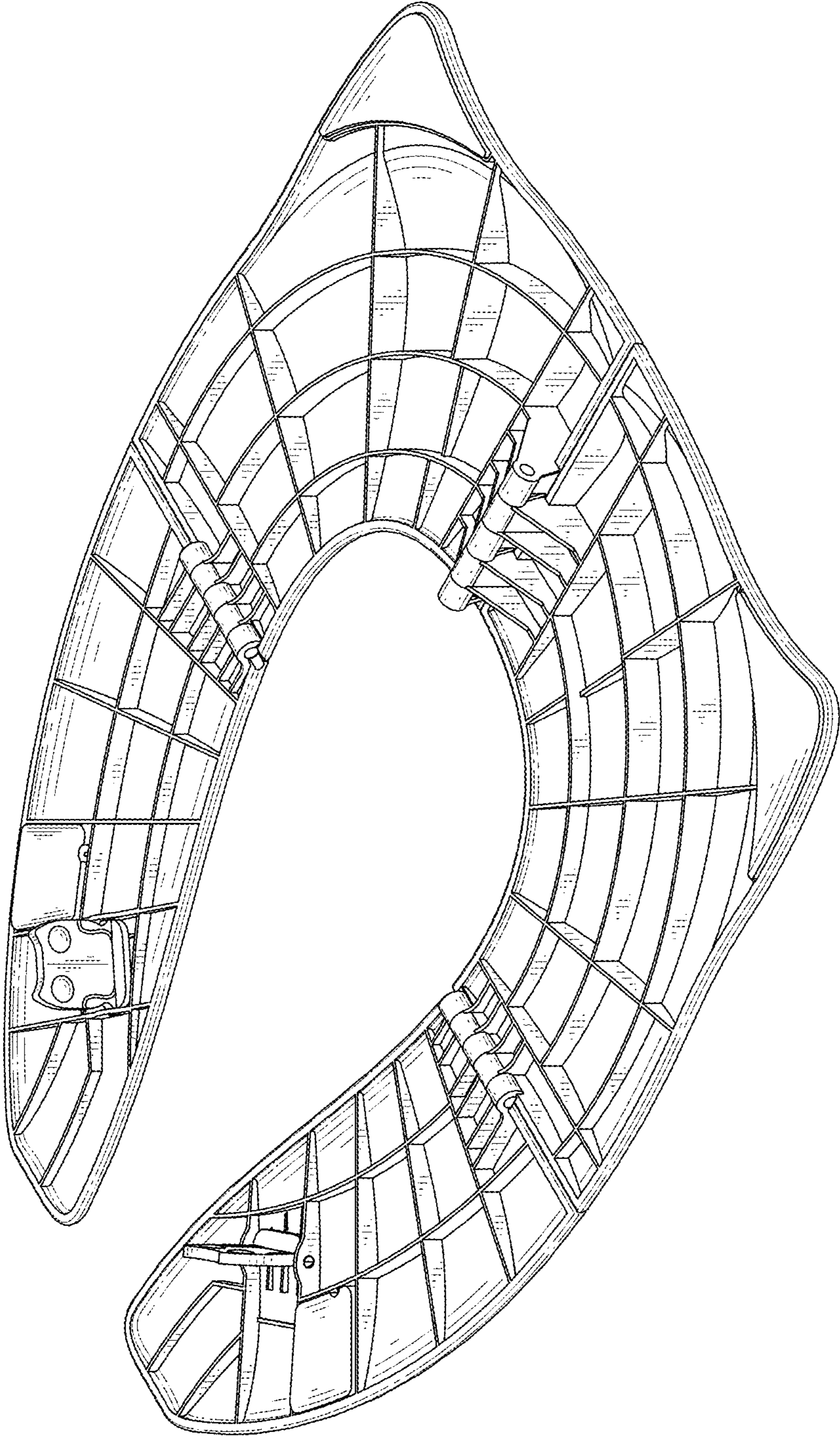


FIG. 2

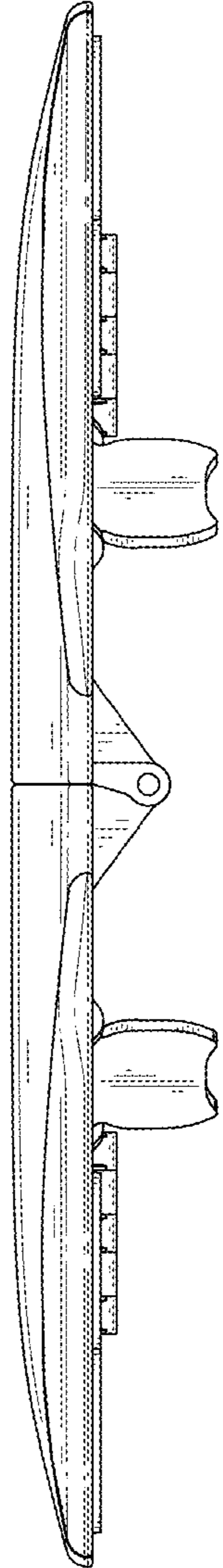


FIG. 3

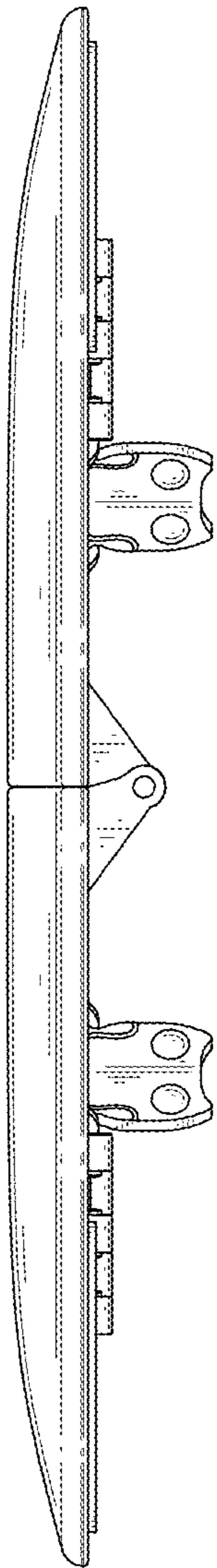


FIG. 4

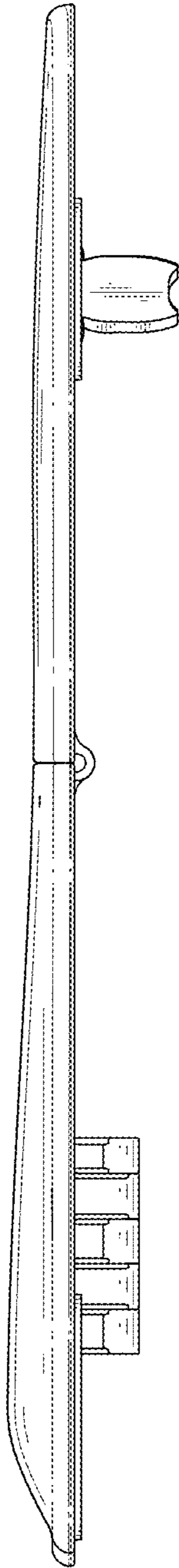


FIG. 5

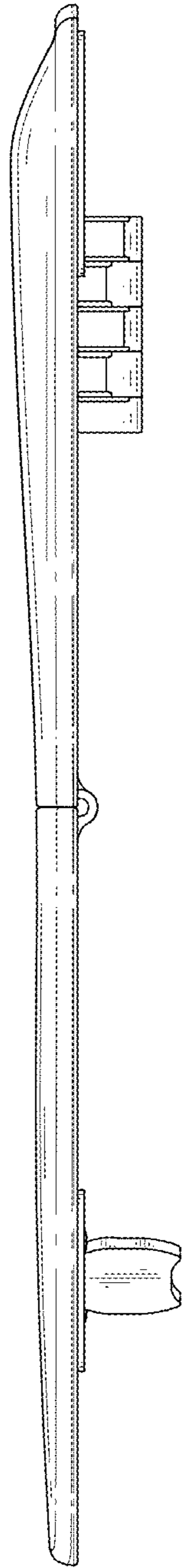


FIG. 6

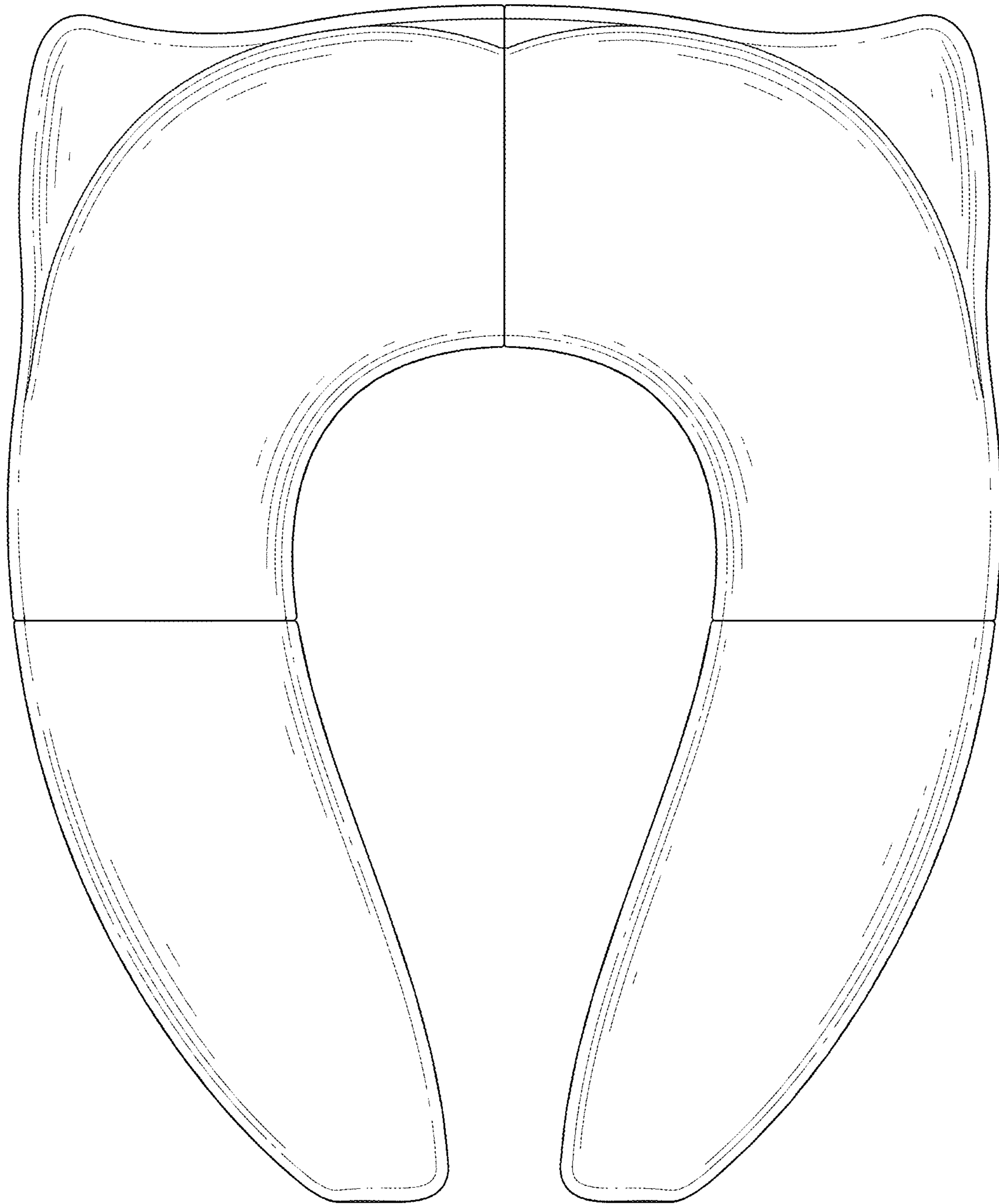


FIG. 7



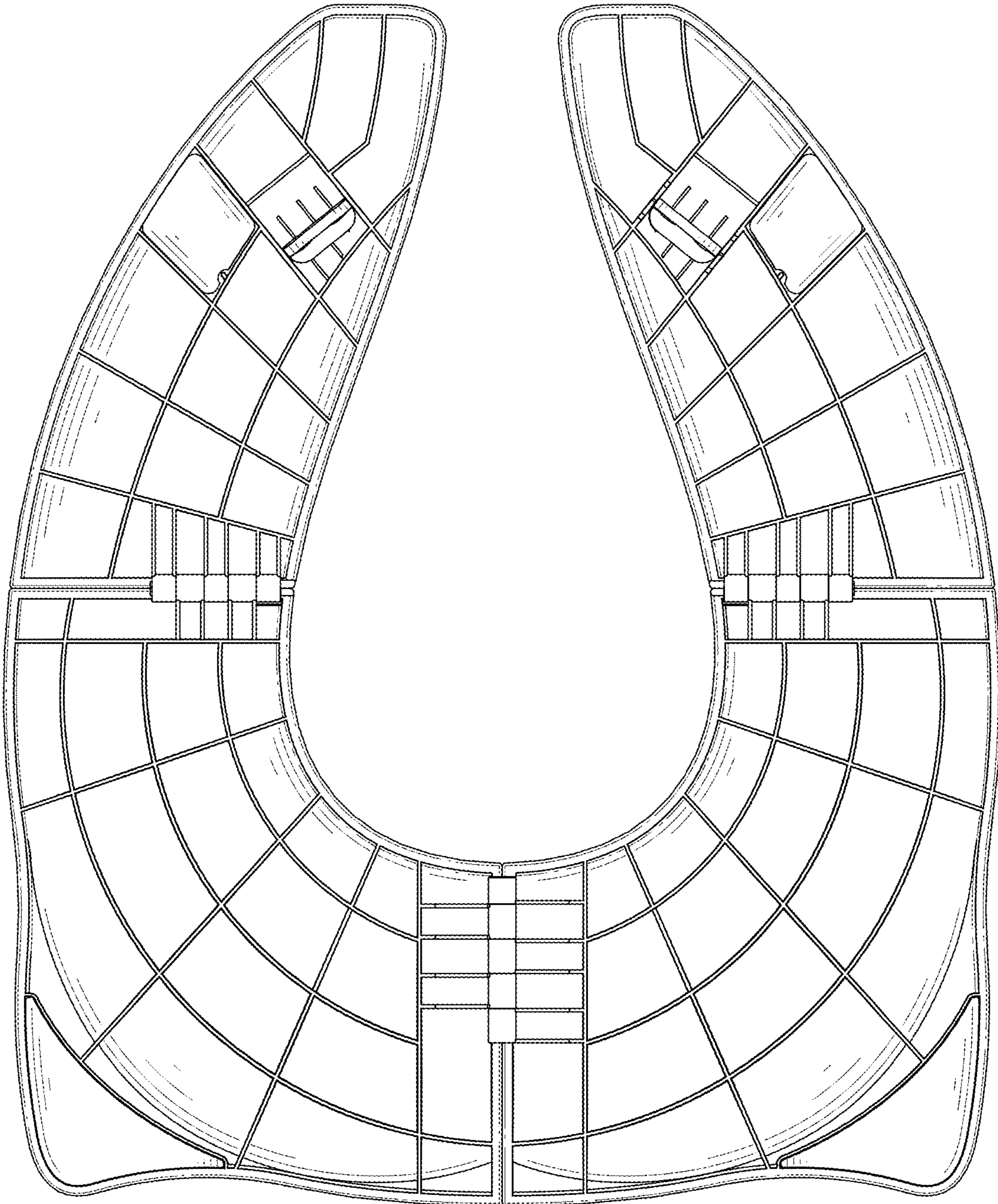


FIG. 8