



US00D816816S

(12) **United States Design Patent** (10) **Patent No.:** **US D816,816 S**
Shtraks et al. (45) **Date of Patent:** **** May 1, 2018**

(54) **MULTI-TONE HARDWARE ASSEMBLY FOR GLASS SHOWER PANELS OF SHOWER ENCLOSURE**

(71) Applicant: **Bath Authority LLC**, Warminster, PA (US)

(72) Inventors: **Valery Shtraks**, Feasterville, PA (US); **Michael Minkovich**, Richboro, PA (US)

(73) Assignee: **BATH AUTHORITY LLC**, Warminster, PA (US)

(**) Term: **15 Years**

(21) Appl. No.: **29/601,950**

(22) Filed: **Apr. 27, 2017**

(51) **LOC (11) Cl.** **23-02**

(52) **U.S. Cl.**
USPC **D23/305**

(58) **Field of Classification Search**
USPC D23/275, 283, 303-305; D8/318; D25/48.3, 103
CPC A45K 3/003; A45K 3/35; E06B 3/481; E05D 2005/0261; E05D 2005/0246; E05D 15/0691; E05D 15/0686; E05D 15/063; E05D 15/0665; A47K 3/006; A47K 3/28; A47K 28/283; A47K 28/284
See application file for complete search history.

(56) **References Cited**

U.S. PATENT DOCUMENTS

2,269,420 A * 1/1942 Anderson A47K 3/003 4/577.1
3,335,784 A * 8/1967 Risk E06B 3/481 160/199
D488,699 S * 4/2004 Jackovin D8/316
D531,712 S * 11/2006 Loggen D23/305

D593,653 S * 6/2009 Mitrani D23/304
D630,768 S * 1/2011 Witiak D25/41.1
D637,700 S * 5/2011 Antonello D23/304
D709,600 S * 7/2014 Portilla D23/304
9,103,148 B2 * 8/2015 Wei A47K 3/34
D740,099 S * 10/2015 Chang D8/316
D745,362 S * 12/2015 Grasselli D8/315
D754,288 S * 4/2016 Bahler D23/304
9,549,643 B2 * 1/2017 Hayes A47K 3/34

OTHER PUBLICATIONS

“DreamLine Enigma-XT 44 to 48 in. Fully Frameless Sliding Shower Door, Clear 3/8 in. Glass Door, Tuxedo Finish” available at https://dreamline.com/shower-doors/enigma-xt-44-60-sliding-shower-door_shdr-61487610-18.html printed on Apr. 27, 2017.

* cited by examiner

Primary Examiner — Robert A Delehanty

(74) *Attorney, Agent, or Firm* — Fox Rothschild LLP

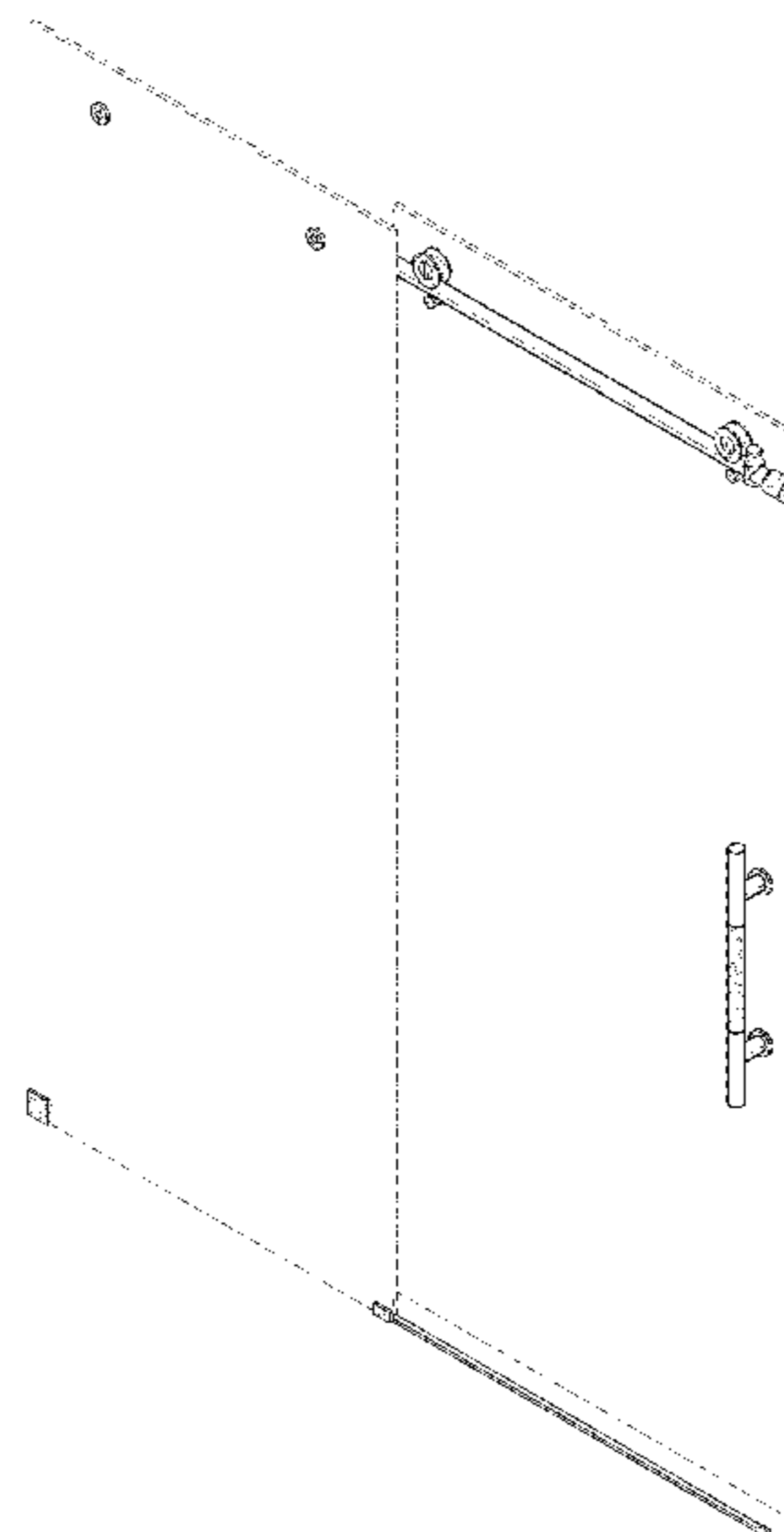
(57) **CLAIM**

The ornamental design for a multi-tone hardware assembly for glass shower panels of shower enclosure, as shown and described.

DESCRIPTION

FIG. 1 is a perspective view of the multi-tone hardware assembly for glass shower panels of shower enclosure showing our new design;
FIG. 2 is a front elevation view thereof;
FIG. 3 is a rear elevation view thereof;
FIG. 4 is left hand elevation view thereof;
FIG. 5 is a right hand elevation view thereof;
FIG. 6 is top plan view thereof; and,
FIG. 7 is bottom plan view thereof.
The broken lines in the drawings illustrate environmental subject matter and form no part of the claimed design.

1 Claim, 5 Drawing Sheets



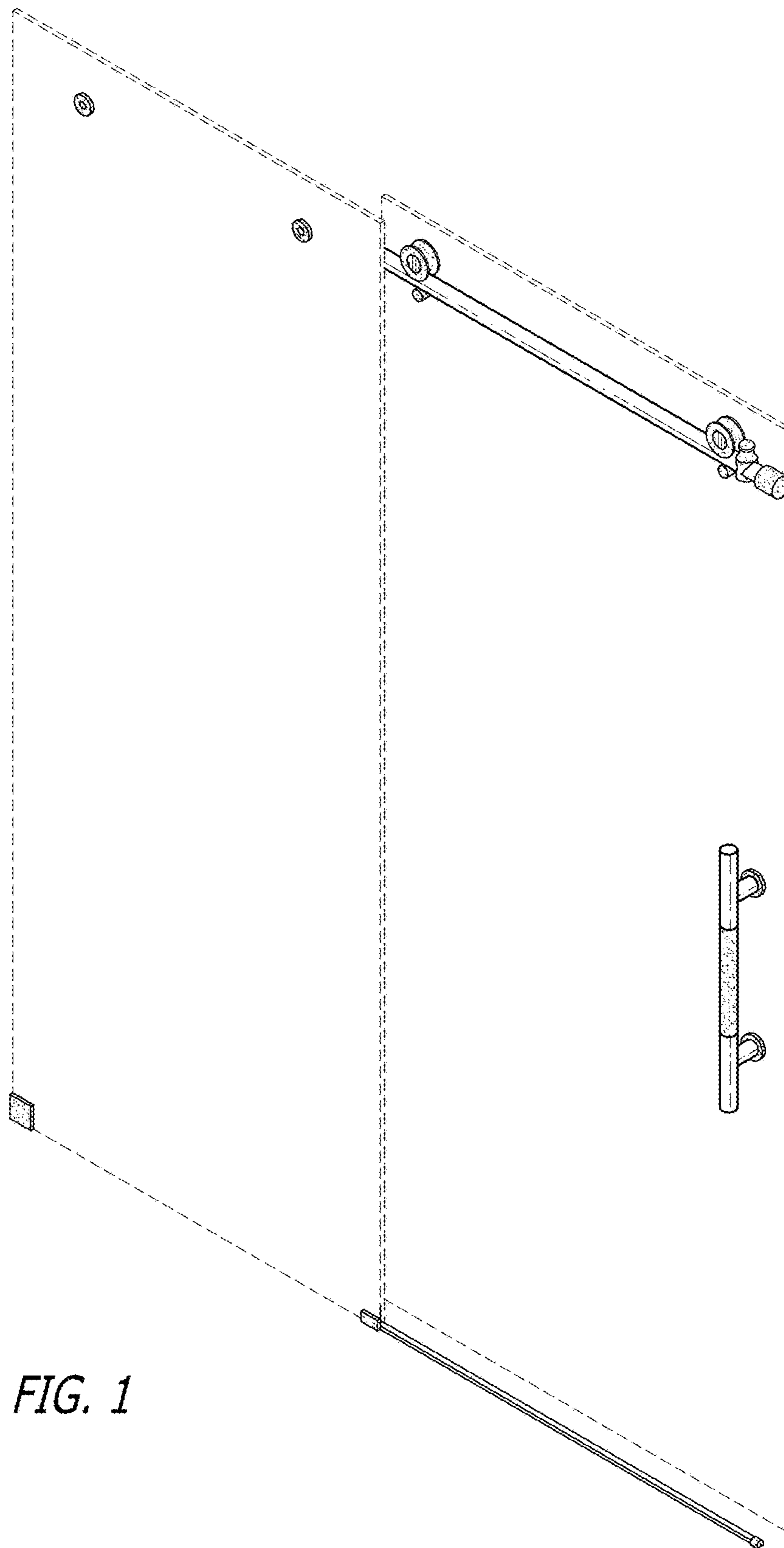


FIG. 1

FIG. 2

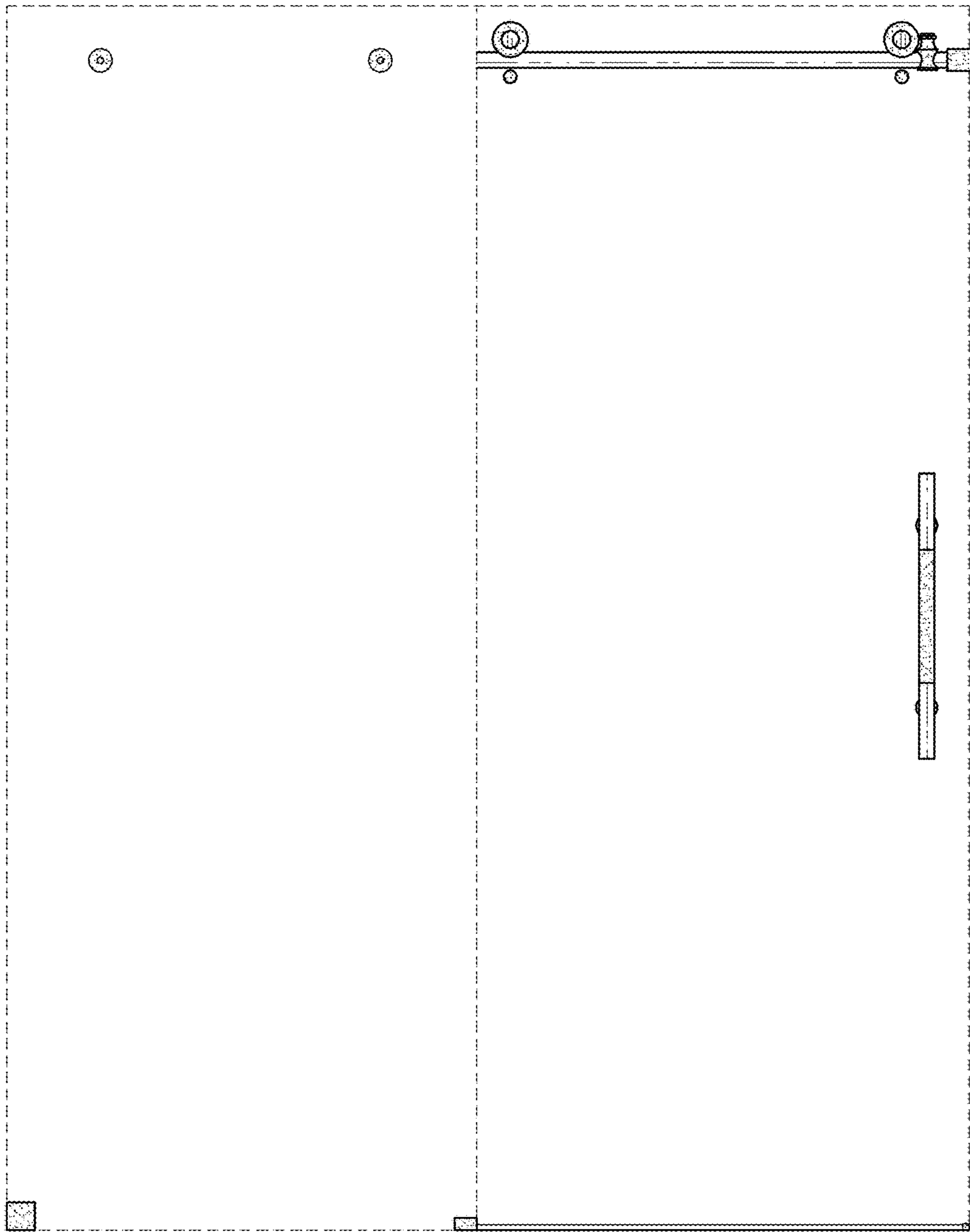


FIG. 3

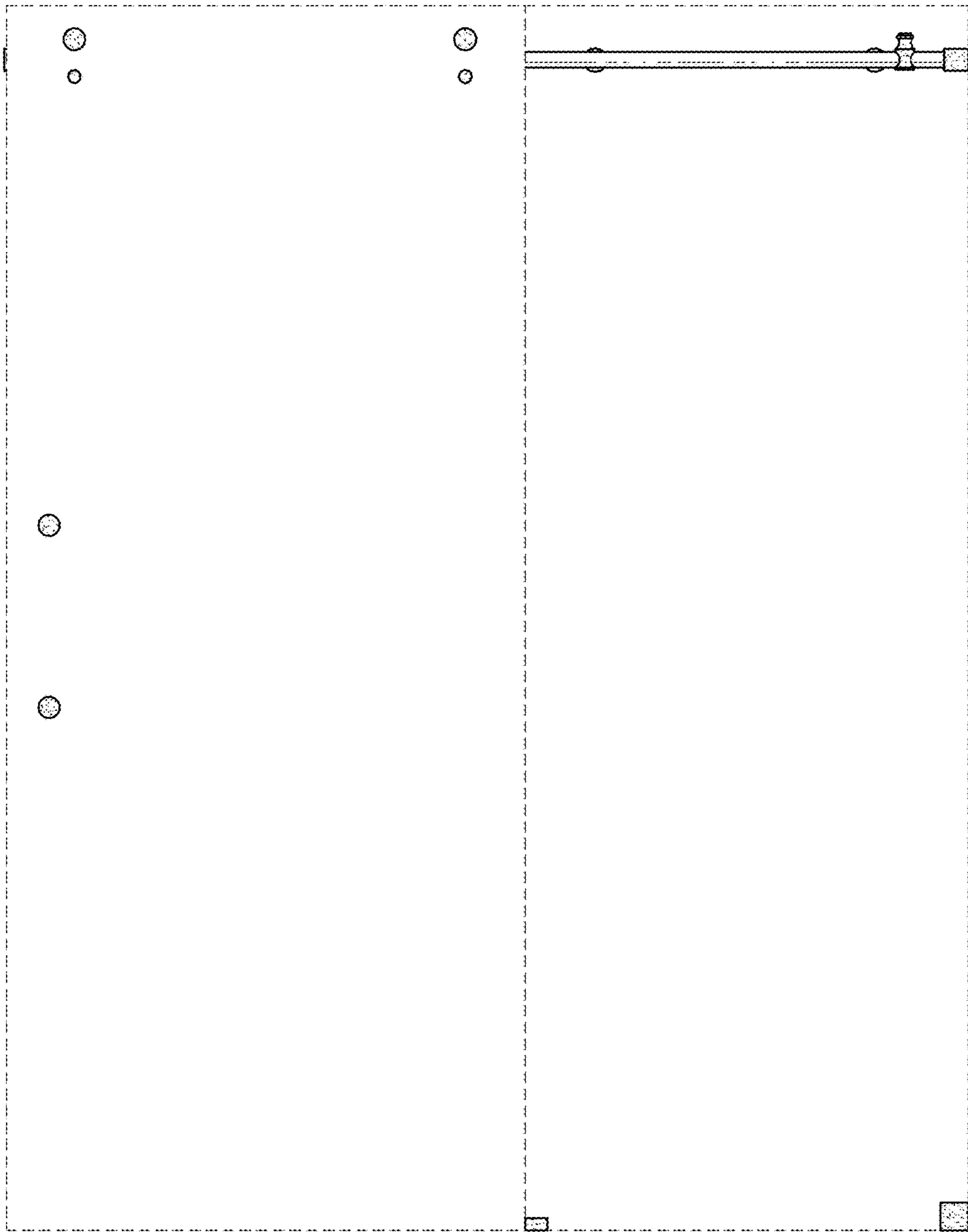


FIG. 4

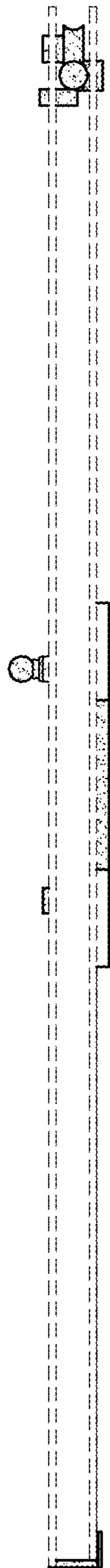
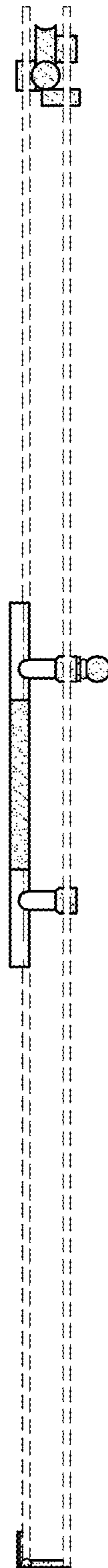


FIG. 5



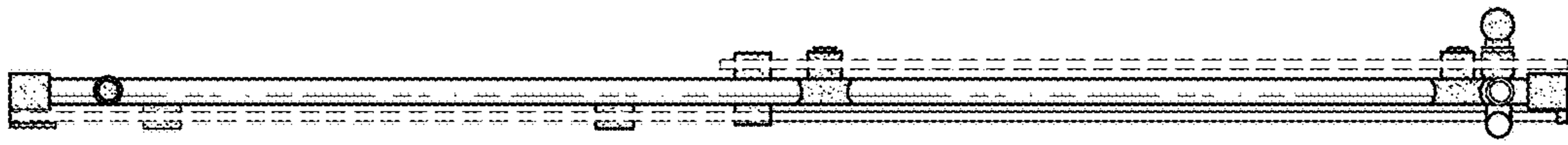


FIG. 6

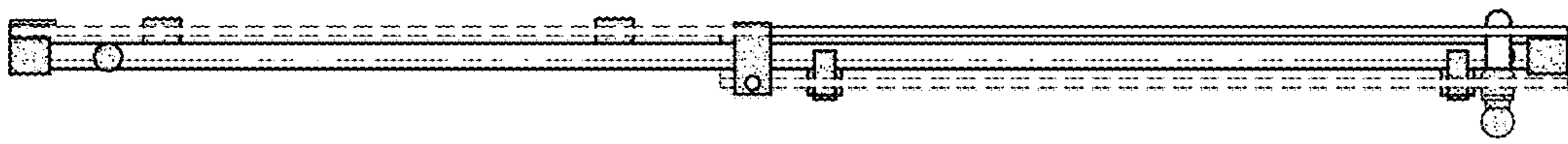


FIG. 7