



US00D816813S

(12) **United States Design Patent**  
**Coronado et al.**

(10) **Patent No.:** **US D816,813 S**

(45) **Date of Patent:** **\*\* May 1, 2018**

- (54) **FLEXIBLE HOSE WITH TRAP**
- (71) Applicant: **COFLEX S.A. DE C.V.**, Monterrey, Nuevo Leon (MX)
- (72) Inventors: **Eduardo Coronado**, Nuevo Leon (MX); **Javier Canales**, Monterrey (MX); **Humberto Flores-Villarreal**, Col. Chapultepec (MX)
- (73) Assignee: **Coflex S.A. de C.V.**, Nuevo Leon (MX)
- (\*\*) Term: **15 Years**

D365,625	S *	12/1995	Bova	.....	D23/266
D493,872	S *	8/2004	Renner	.....	D23/266
D636,468	S *	4/2011	Ball	.....	D23/262
D674,883	S *	1/2013	Ball	.....	D23/266
D676,533	S *	2/2013	Clarke	.....	D23/263
8,621,683	B2 *	1/2014	Coronado	.....	E03C 1/20
					4/679
8,695,218	B2 *	4/2014	Scartozzi	.....	F16L 19/00
					277/622
2006/0085907	A1 *	4/2006	Ball	.....	E03C 1/232
					4/680
2008/0196161	A1 *	8/2008	Ball	.....	E03C 1/232
					4/680
2010/0024120	A1 *	2/2010	Coronado	.....	E03C 1/20
					4/679

- (21) Appl. No.: **29/562,191**
- (22) Filed: **Apr. 22, 2016**
- (51) **LOC (11) Cl.** ..... **23-01**
- (52) **U.S. Cl.**  
USPC ..... **D23/263**
- (58) **Field of Classification Search**  
USPC ..... D23/238, 259, 262-263, 266, 249, 268;  
285/47, 124.1, 124.5, 83, 134.1, 179,  
285/179.1; 4/675, 679, 680, 686-687;  
138/111, 119, 123, 155, 158, 167, 177  
CPC .. F16L 11/21; F16L 11/16; F16L 27/00; F16L  
27/11; F16L 55/07; E03C 1/20; E03C  
1/24; E03C 1/28; E03C 1/232; E03C  
1/284  
See application file for complete search history.

(Continued)

*Primary Examiner* — Eric L Goodman

*Assistant Examiner* — Amy C Wierenga

(74) *Attorney, Agent, or Firm* — Baker & McKenzie LLP

(57) **CLAIM**

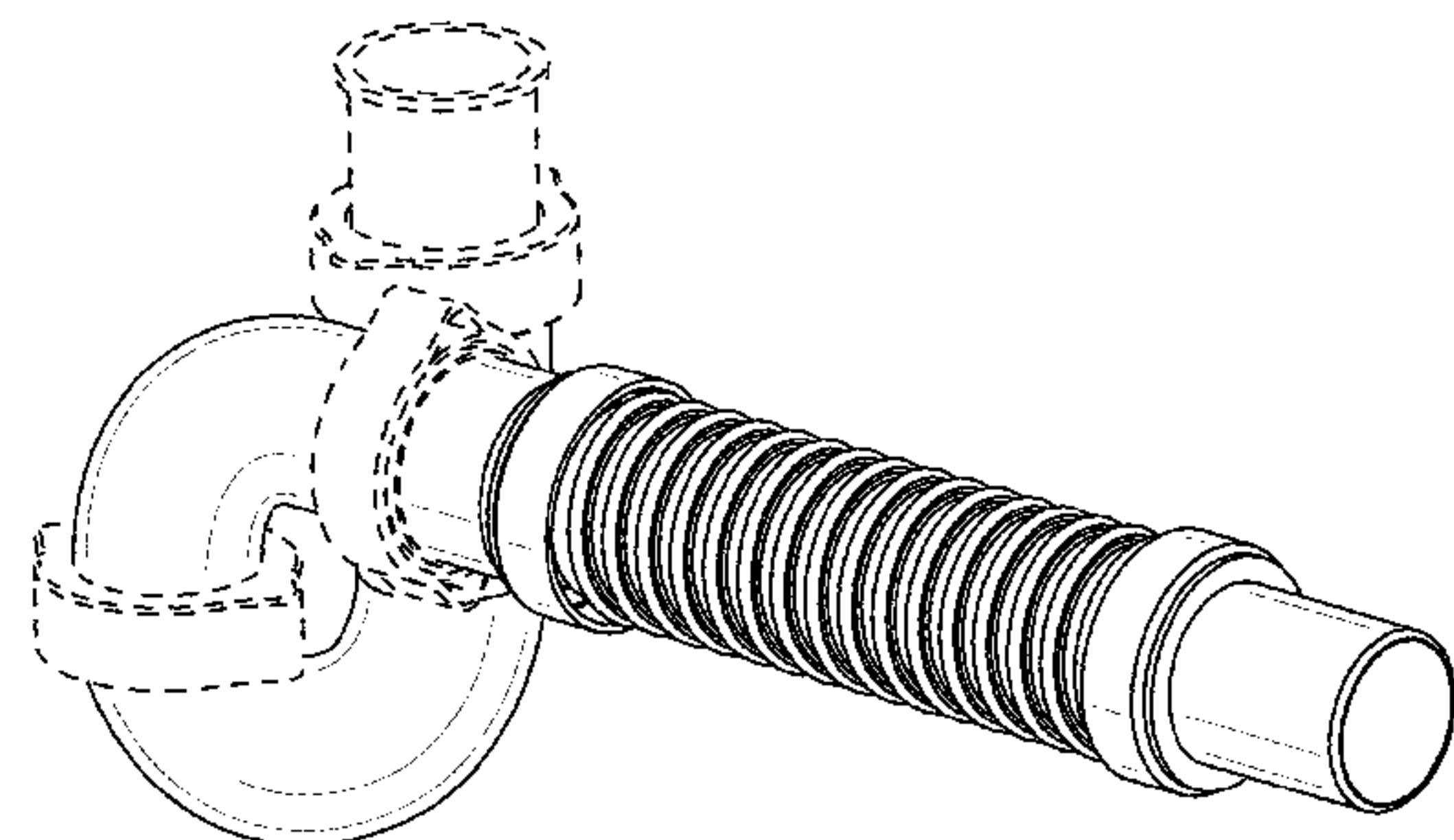
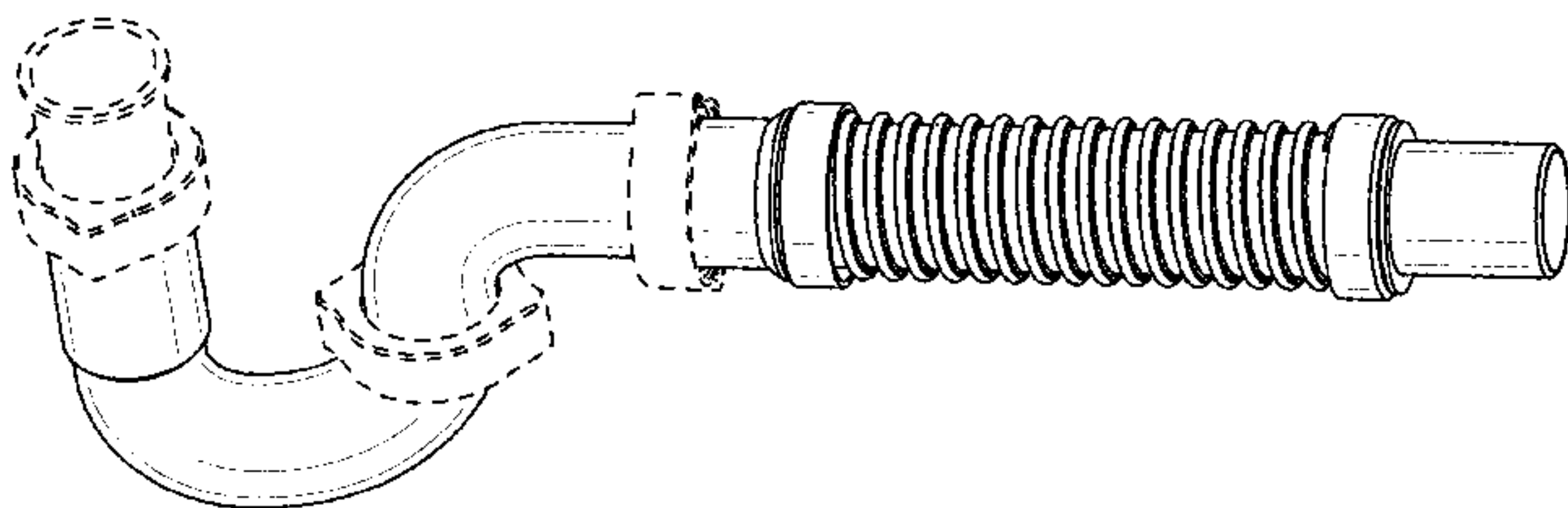
The ornamental design for a flexible hose with trap, as shown and described.

**DESCRIPTION**

FIG. 1 is a perspective view of a flexible hose with trap in accordance with our design;  
 FIG. 2 is a perspective view of a flexible hose with trap;  
 FIG. 3 is a perspective view of a flexible hose with trap;  
 FIG. 4 is a perspective view of a flexible hose with trap;  
 FIG. 5 is a perspective view of a flexible hose with trap;  
 FIG. 6 is a front view of a flexible hose with trap;  
 FIG. 7 is a back view of a flexible hose with trap;  
 FIG. 8 is a top view of a flexible hose with trap;  
 FIG. 9 is a bottom view of a flexible hose with trap; and,  
 FIG. 10 is a side view of a flexible hose with trap.  
 The broken lines in the drawings depict environmental subject matter and form no part of the claim.

- (56) **References Cited**  
U.S. PATENT DOCUMENTS  
D231,930 S \* 6/1974 Danks ..... 4/DIG. 16  
3,860,978 A \* 1/1975 Wirth ..... E03C 1/284  
138/106  
3,967,324 A \* 7/1976 Olive ..... E03C 1/284  
137/247.41  
D249,356 S \* 9/1978 Nagy ..... D23/223  
4,165,110 A \* 8/1979 Itzler ..... E03C 1/20  
138/121

**1 Claim, 10 Drawing Sheets**



(56)

**References Cited**

U.S. PATENT DOCUMENTS

2011/0154566 A1\* 6/2011 Shafik ..... E03C 1/122  
4/680  
2013/0042407 A1\* 2/2013 Marotz ..... E03C 1/2304  
4/679  
2017/0096809 A1\* 4/2017 Coronado ..... E03F 5/0407

\* cited by examiner

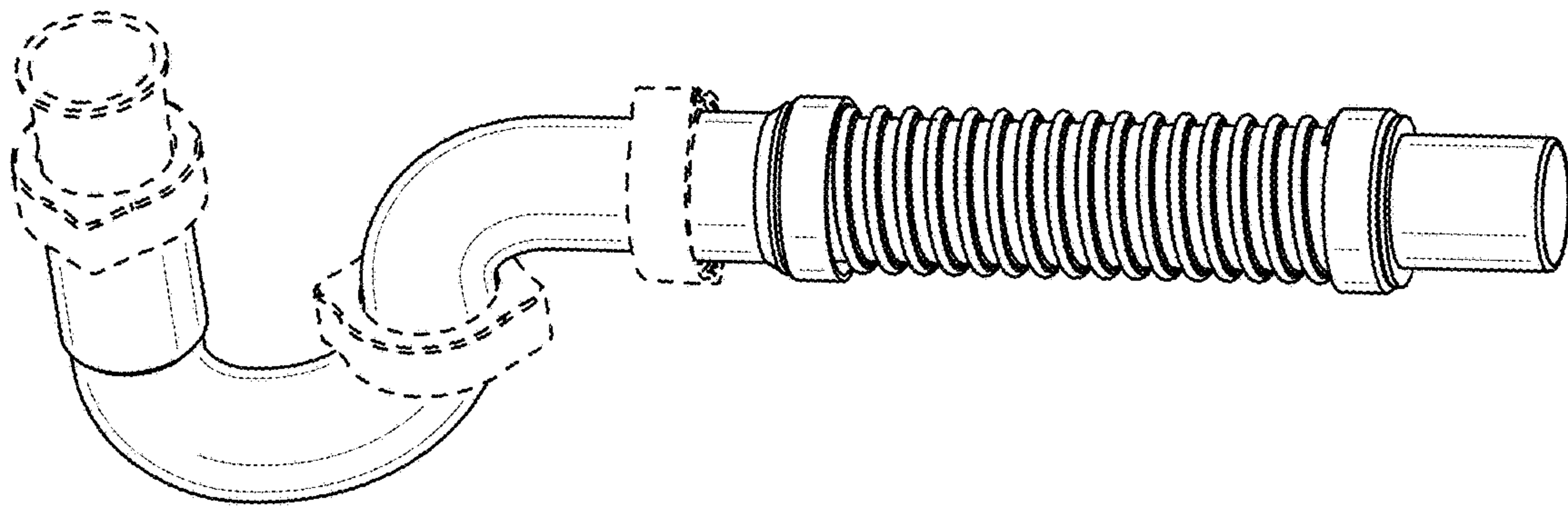


FIG. 1

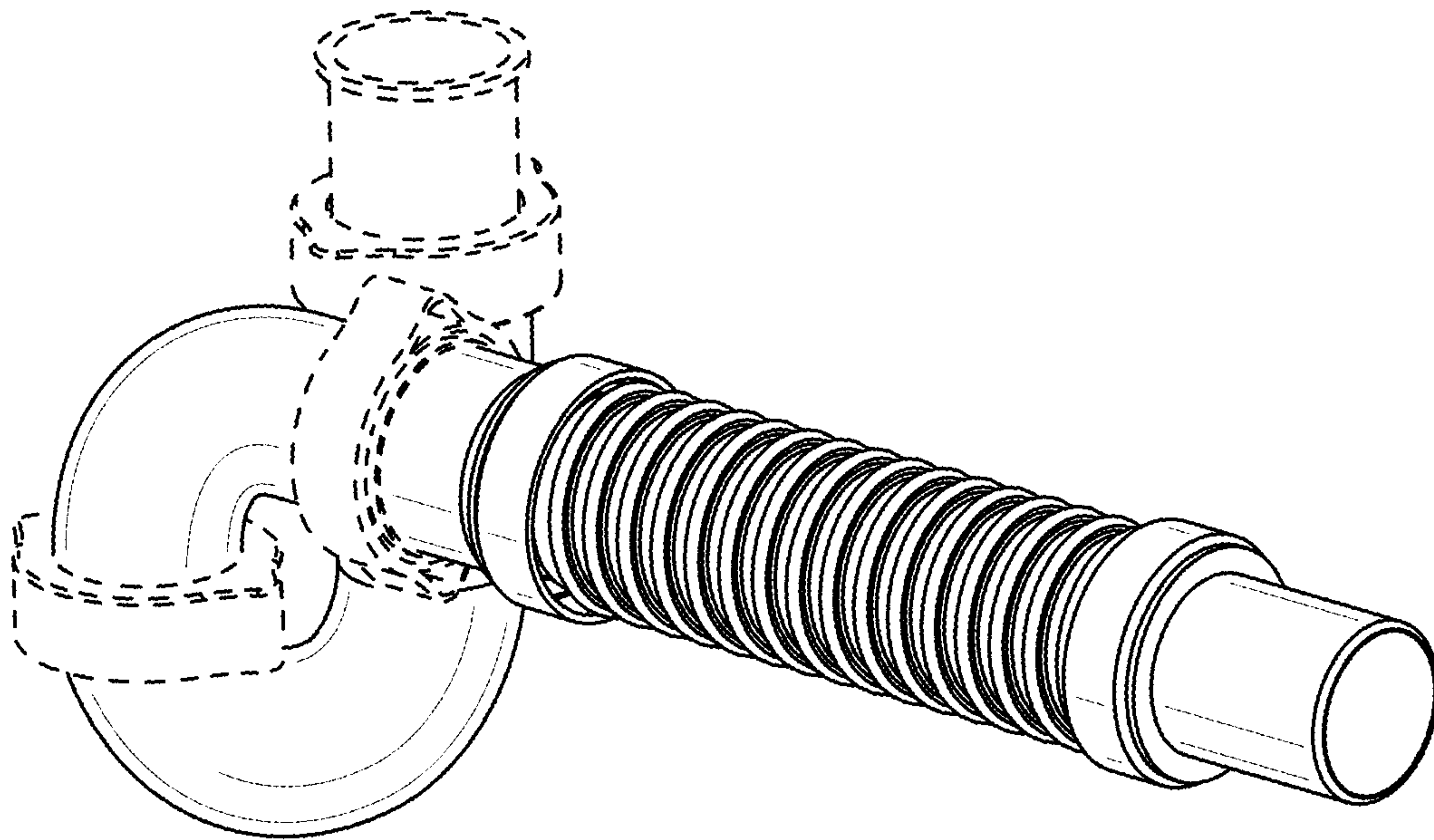


FIG. 2

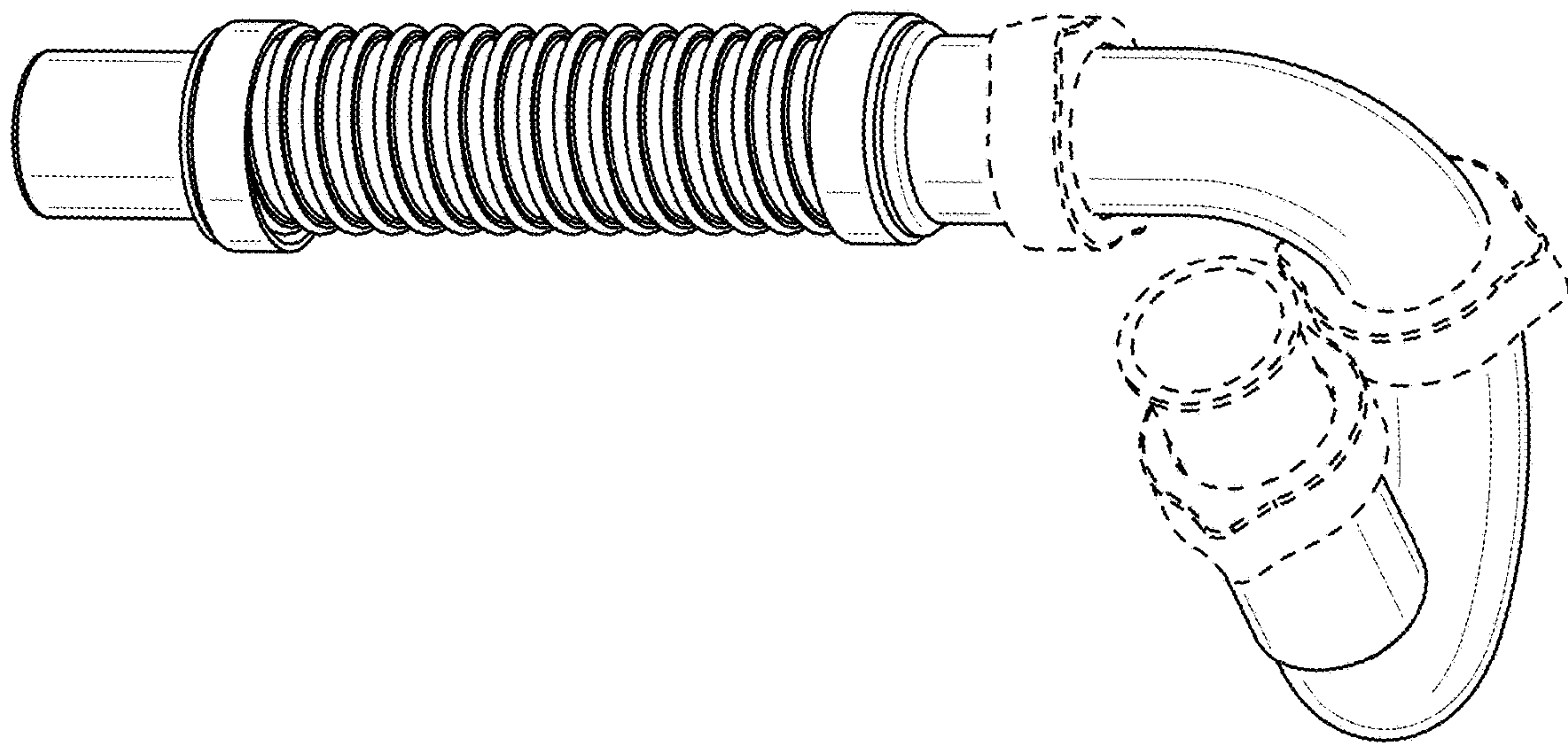


FIG. 3

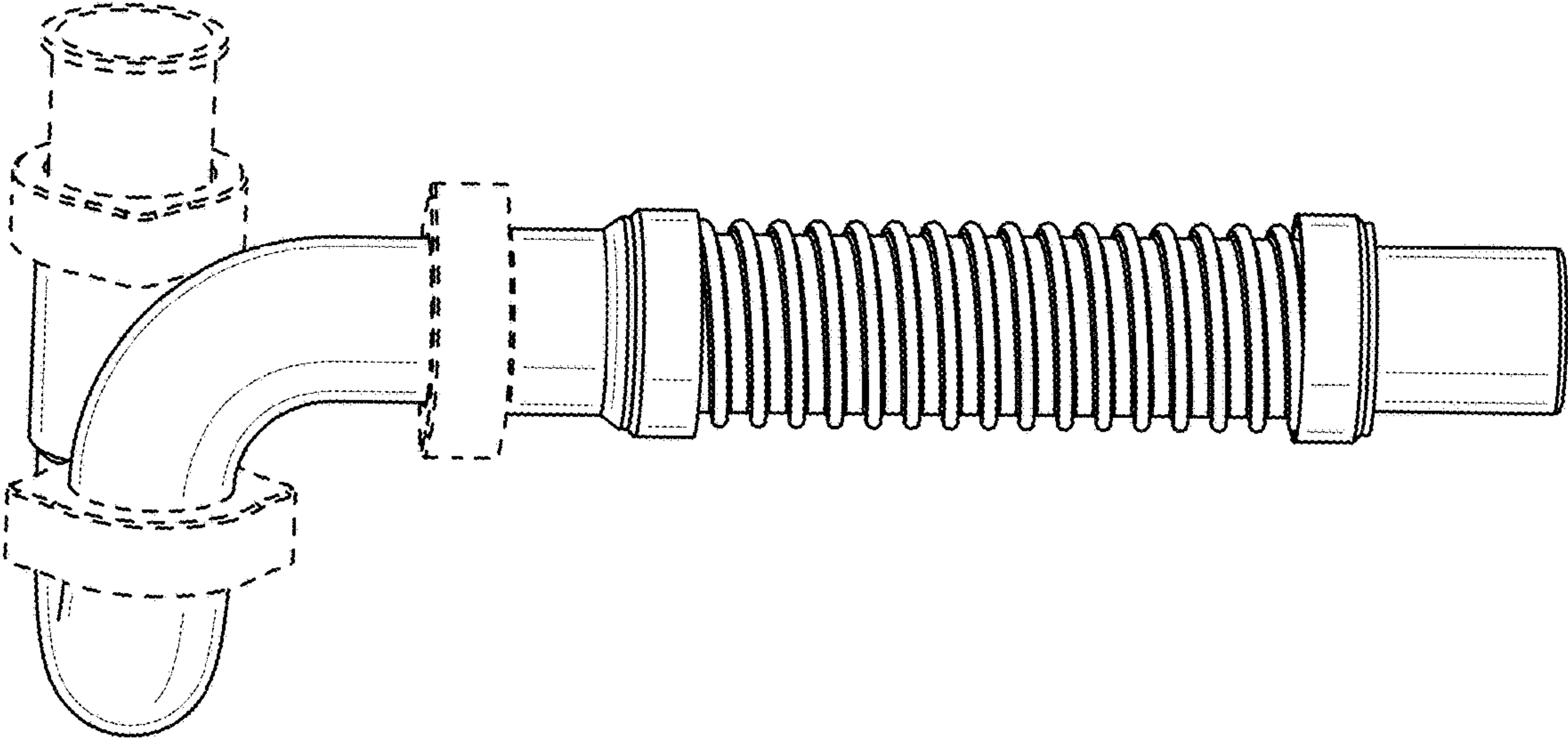


FIG. 4



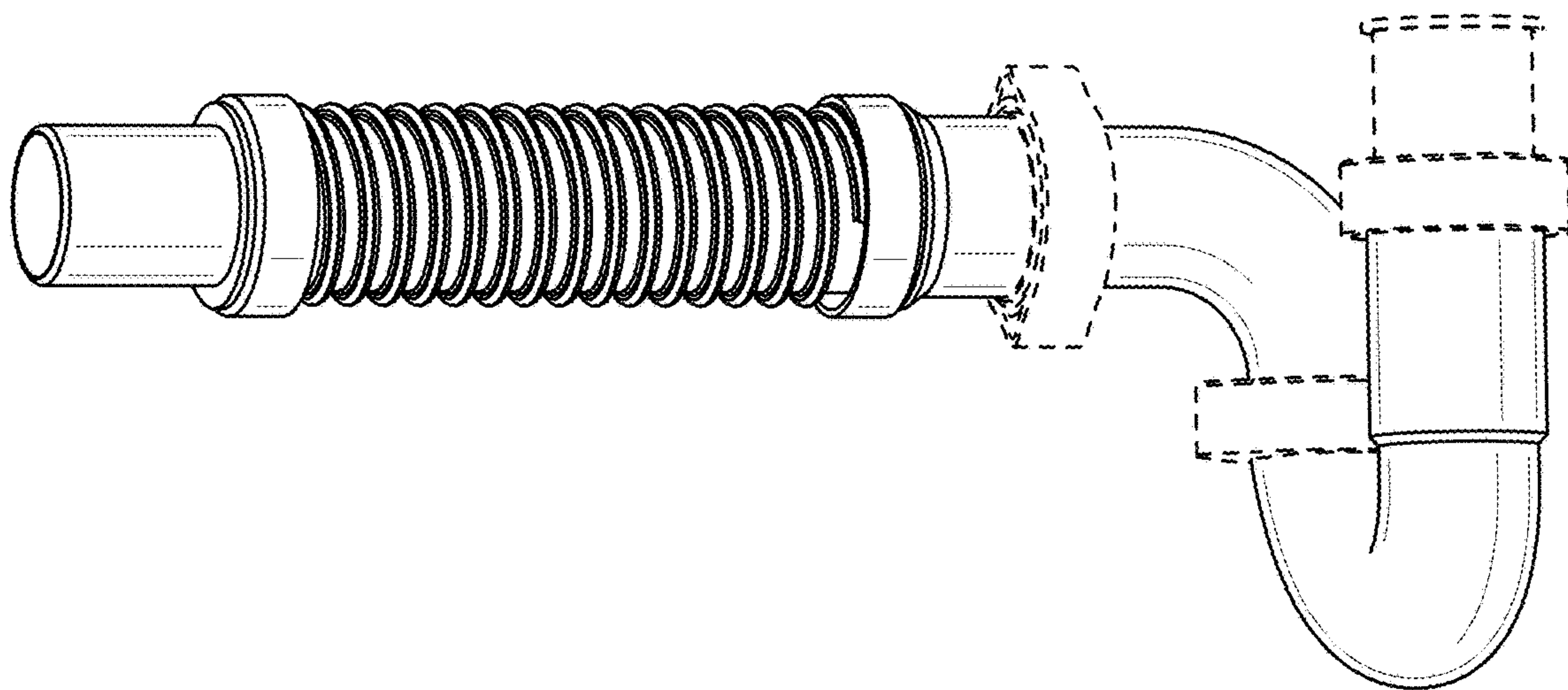


FIG. 5

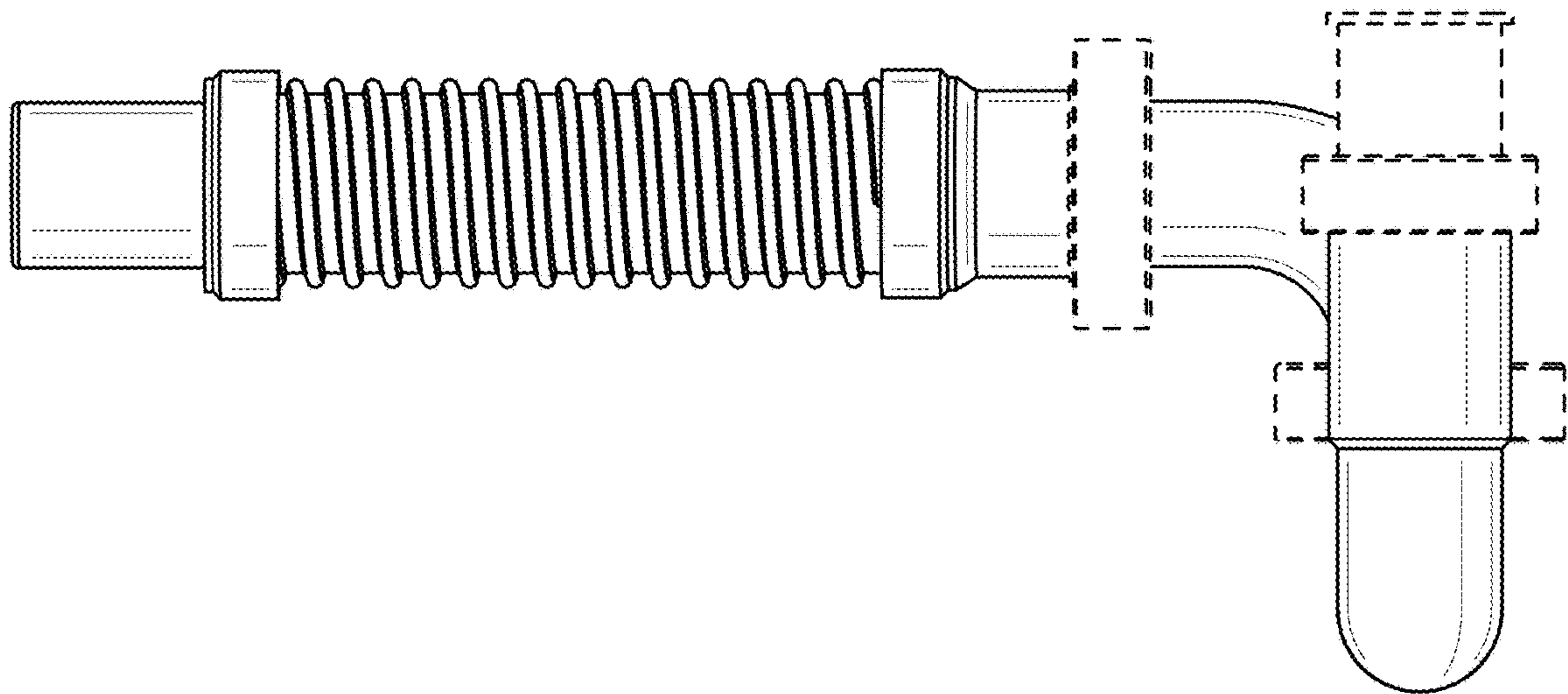


FIG. 6



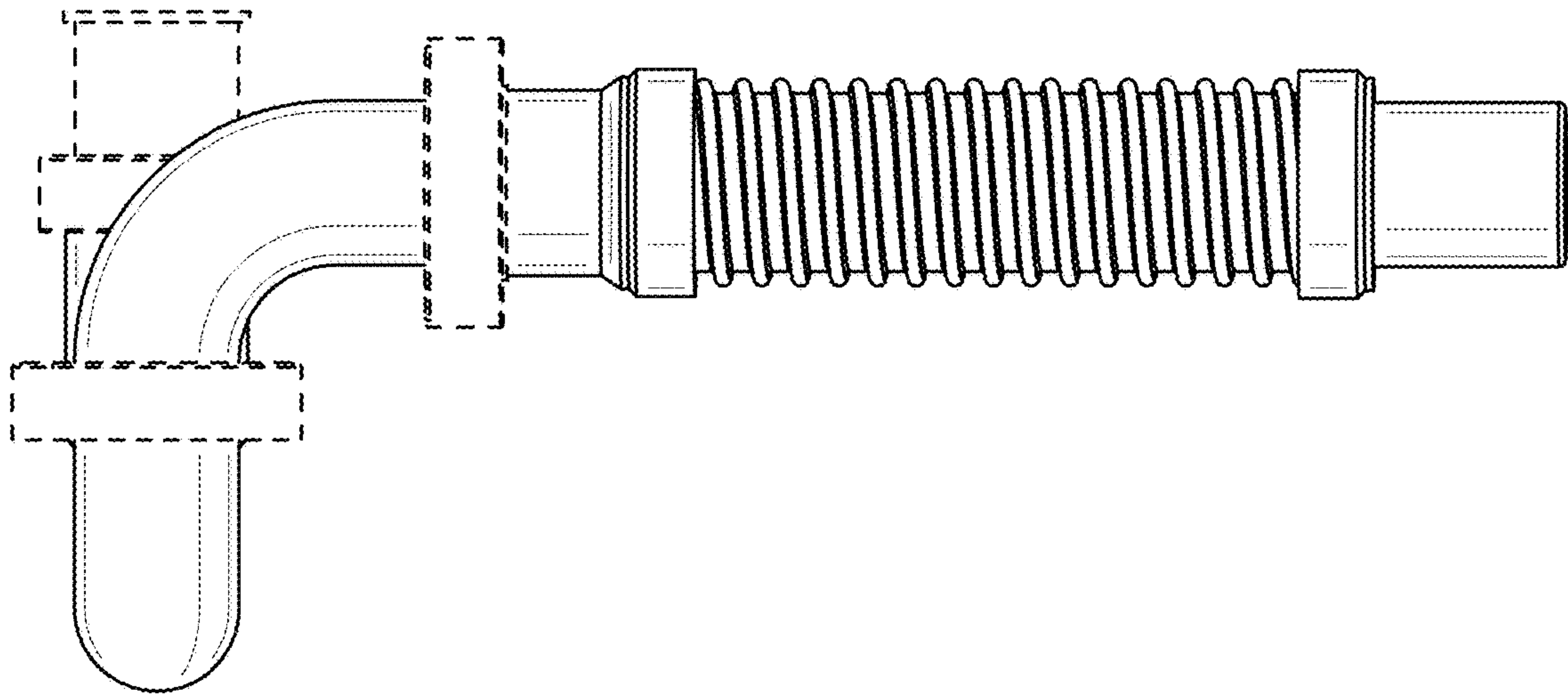


FIG. 7

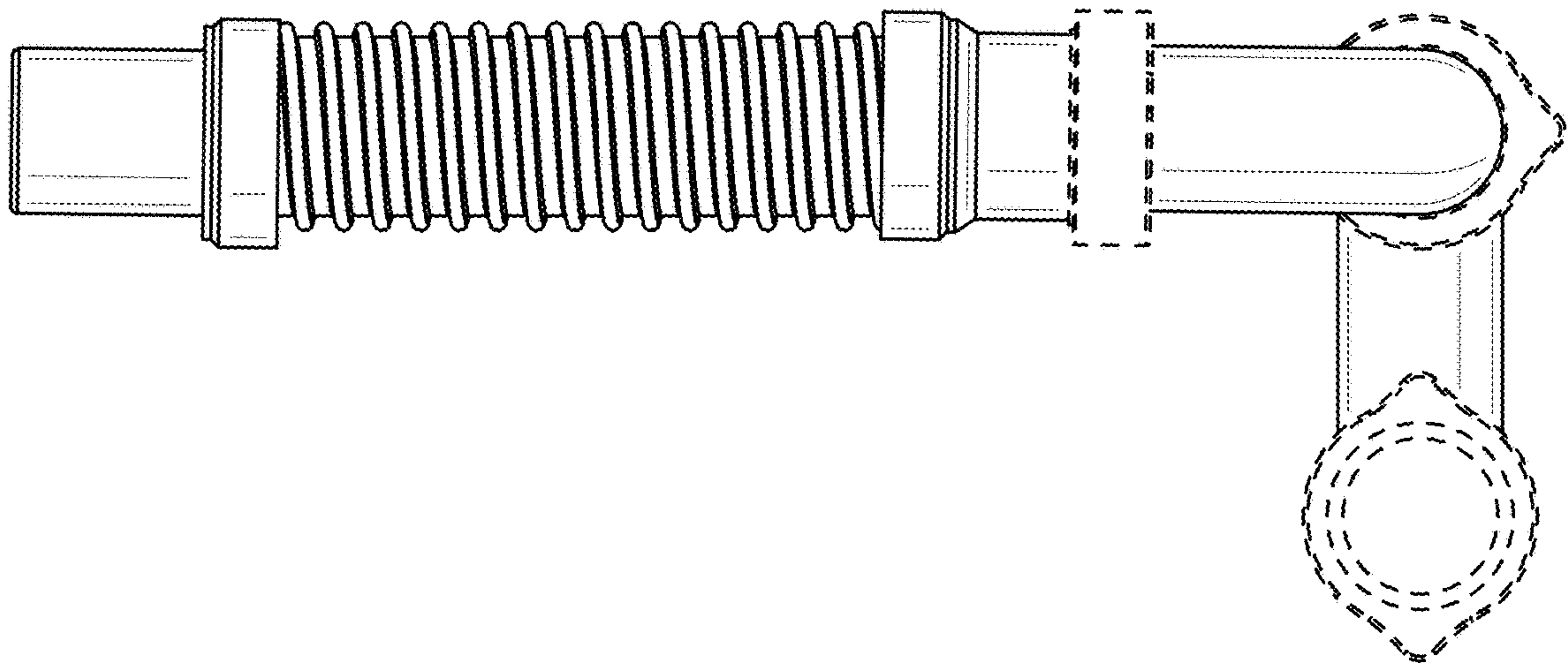


FIG. 8

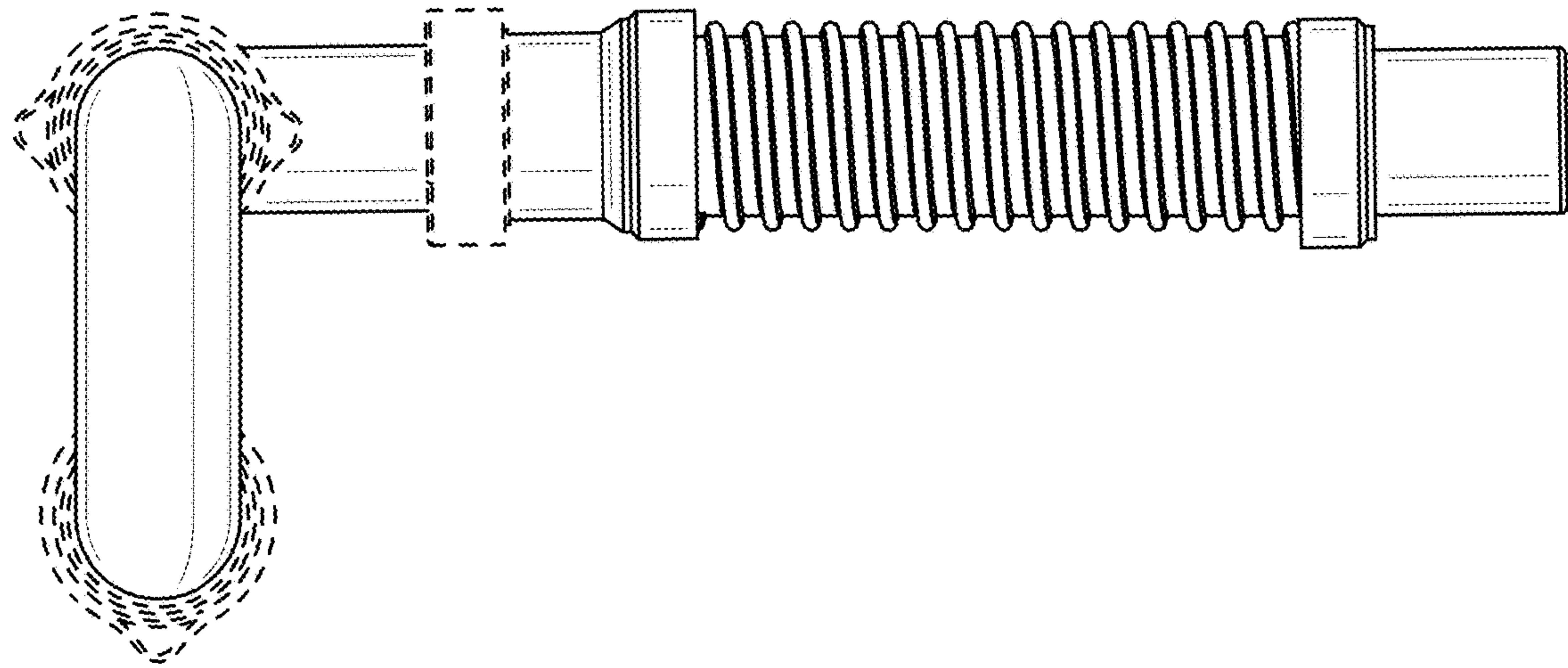


FIG. 9

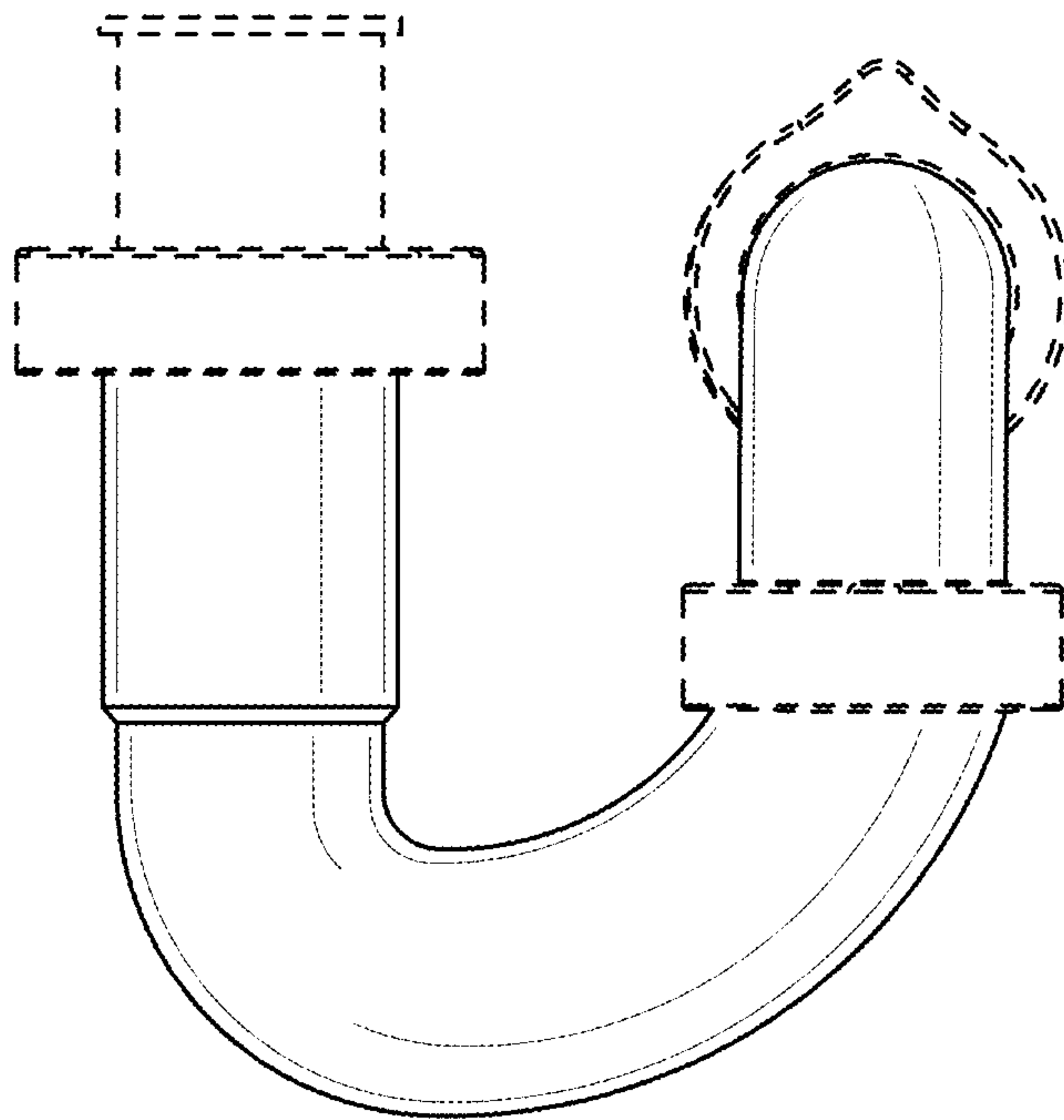


FIG. 10