



US00D816811S

(12) **United States Design Patent**
Dagdelen

(10) **Patent No.:** **US D816,811 S**

(45) **Date of Patent:** **** May 1, 2018**

(54) **PIPE JOINT CONNECTION**

(71) Applicant: **POELSAN PLASTIK SANAYI VE TICARET ANONIM SIRKETI**,
Samsun (TR)

(72) Inventor: **Yasar Dagdelen**, Samsun (TR)

(73) Assignee: **POELSAN PLASTIK SANAYI VE TICARET ANONIM SIRKETI**,
Samsun (TR)

(**) Term: **15 Years**

(21) Appl. No.: **35/501,033**

(22) Filed: **Jan. 25, 2016**

(80) **Hague Agreement Data**

Int. Filing Date: **Jan. 25, 2016**

Int. Reg. No.: **DM/090724**

Int. Reg. Date: **Jan. 25, 2016**

Int. Reg. Pub. Date: **Jun. 3, 2016**

(51) **LOC (11) Cl.** **23-01**

(52) **U.S. Cl.**
USPC **D23/259**

(58) **Field of Classification Search**
USPC D23/259, 262-263, 266
CPC .. Y10T 29/49826; Y10T 428/139; F16L 9/02;
F16L 9/14
See application file for complete search history.

(56) **References Cited**

U.S. PATENT DOCUMENTS

- 6,062,611 A * 5/2000 Percebois F16L 37/092
285/232
- 6,237,964 B1 * 5/2001 Østergaard E21B 33/035
285/310
- 6,390,446 B1 * 5/2002 Wang B01D 35/02
210/429
- D517,666 S * 3/2006 Wilk, Jr. D23/262

- D523,123 S * 6/2006 Wilk, Jr. D23/262
- 7,063,356 B2 * 6/2006 Barker F16L 37/62
285/105
- D676,941 S * 2/2013 Kluss D23/262
- 8,608,205 B2 * 12/2013 Lai B25B 27/10
285/307
- 8,801,048 B2 * 8/2014 Morris F16L 37/091
285/340
- D729,909 S * 5/2015 Castrigno D23/263
- D731,627 S * 6/2015 Guest D23/262
- D739,508 S * 9/2015 Menno D23/263
- D741,457 S * 10/2015 Guest D23/262
- D741,458 S * 10/2015 Guest D23/262
- D741,459 S * 10/2015 Guest D23/262
- D743,511 S * 11/2015 Bednarz D23/263
- 9,182,061 B2 * 11/2015 Hamaguchi F16L 25/0045
- D745,116 S * 12/2015 Lehmann D23/262
- D746,418 S * 12/2015 Castrigno D23/262
- D746,950 S * 1/2016 Castrigno D23/259

(Continued)

Primary Examiner — Michael A. Pratt

(74) *Attorney, Agent, or Firm* — Crose Law LLC;
Bradley D. Crose

(57) **CLAIM**

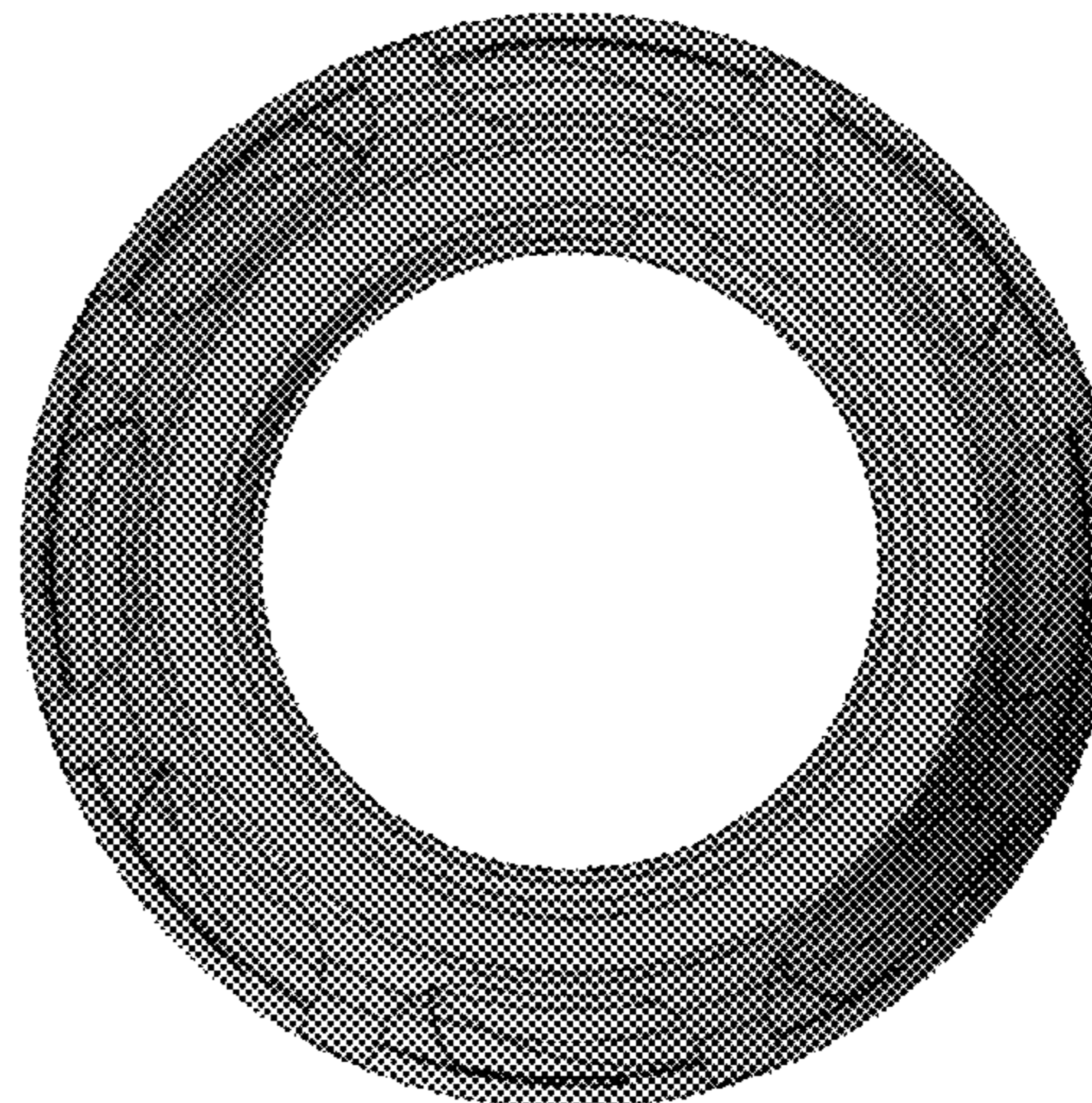
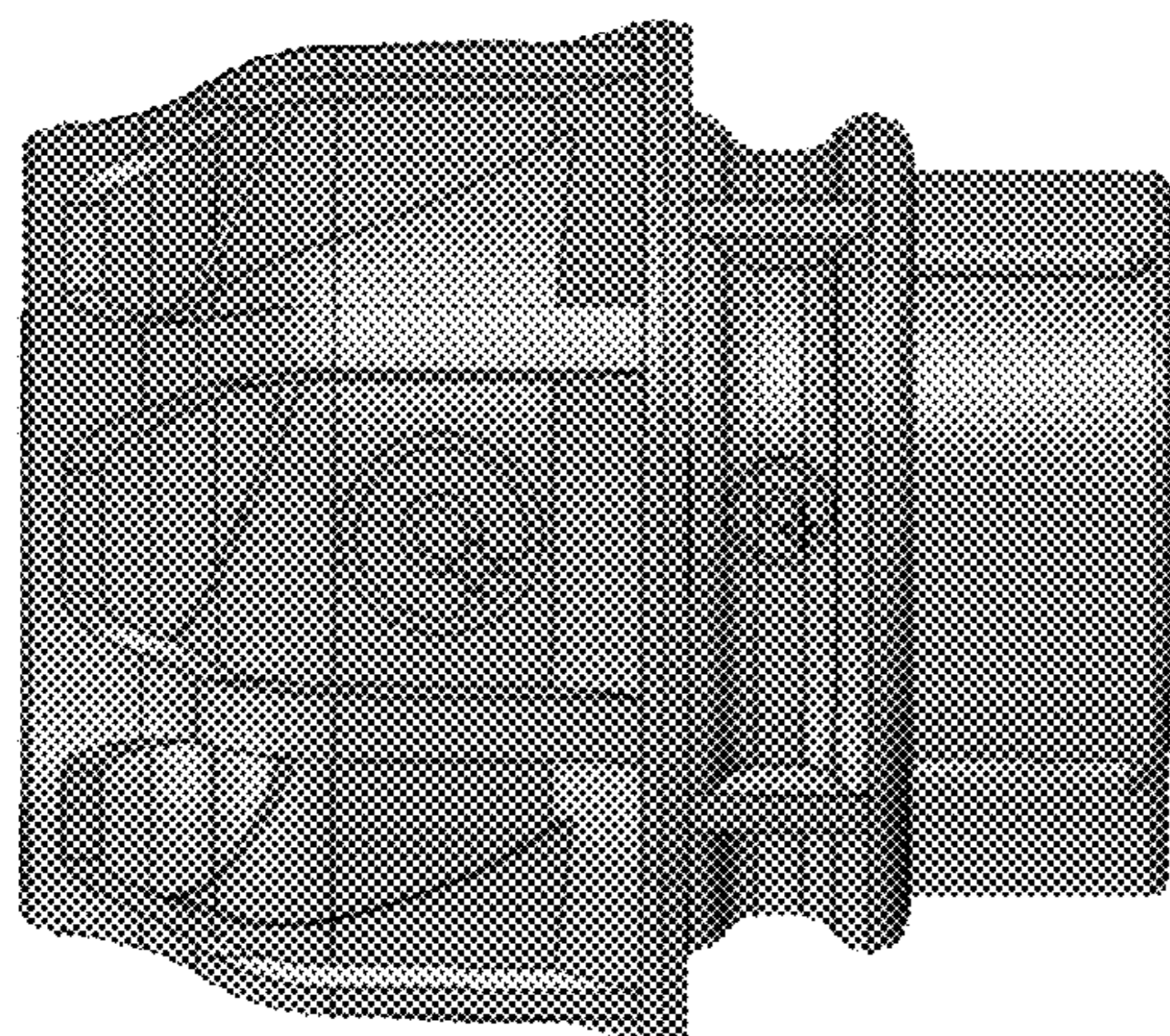
The ornamental design for a pipe joint connection, as shown and described.

DESCRIPTION

- 4. Pipe Joint Connection
- 5. Pipe Joint Connection
- 4.1 : Front
- 4.2 : Top
- 4.3 : Perspective
- 4.4 : Bottom
- 5.1 : Front
- 5.2 : Top
- 5.3 : Perspective
- 5.4 : Bottom

Design 4 is a female connection part for pipes in a hollow cylindrical structure; design 5 is a male connection part for pipes in a hollow cylindrical structure.

1 Claim, 8 Drawing Sheets



(56)

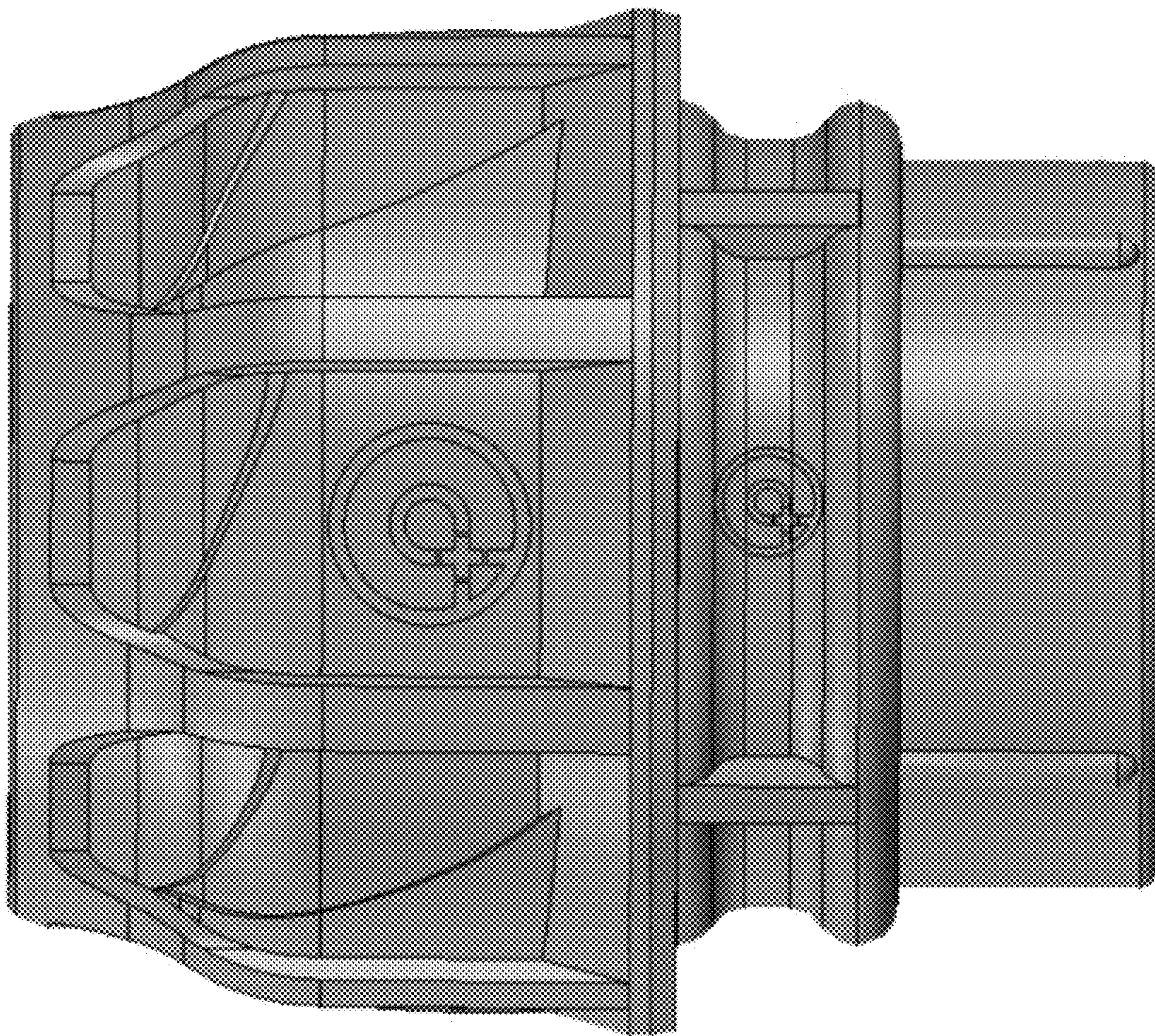
References Cited

U.S. PATENT DOCUMENTS

D746,951	S *	1/2016	Gledhill	D23/259
D746,952	S *	1/2016	Gledhill	D23/259
D746,954	S *	1/2016	Gledhill	D23/259
D746,958	S *	1/2016	Gledhill	D23/262
D748,762	S *	2/2016	Naslund	D23/262
9,310,000	B2 *	4/2016	Liang	F16L 11/20
9,316,336	B2 *	4/2016	Genoni	F16L 47/03
D771,779	S *	11/2016	Scifres	D23/263
D771,780	S *	11/2016	Scifres	D23/266
D779,315	S *	2/2017	Hinkle	D23/262
9,568,127	B2 *	2/2017	Morris	F16L 37/091

* cited by examiner

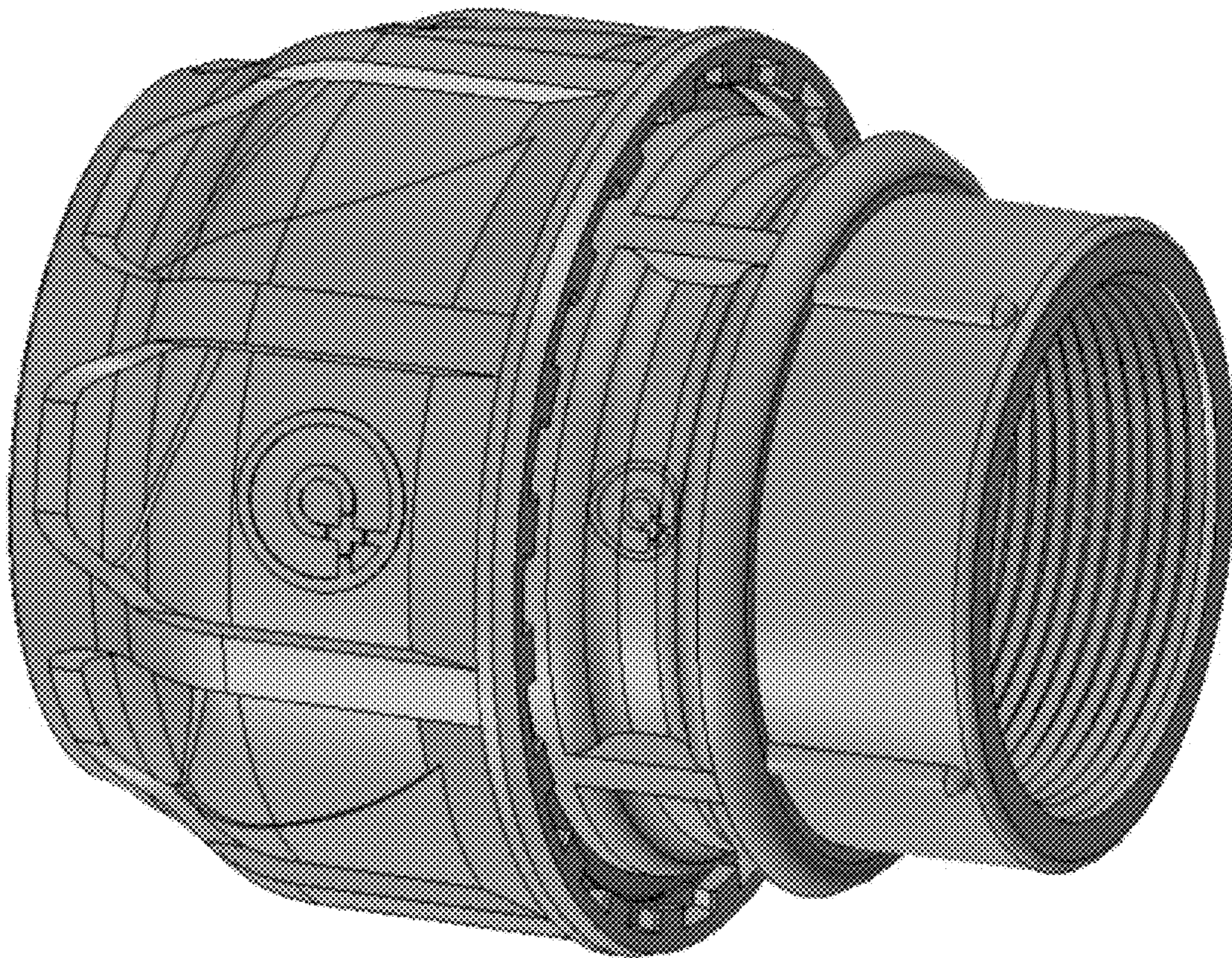
4.1



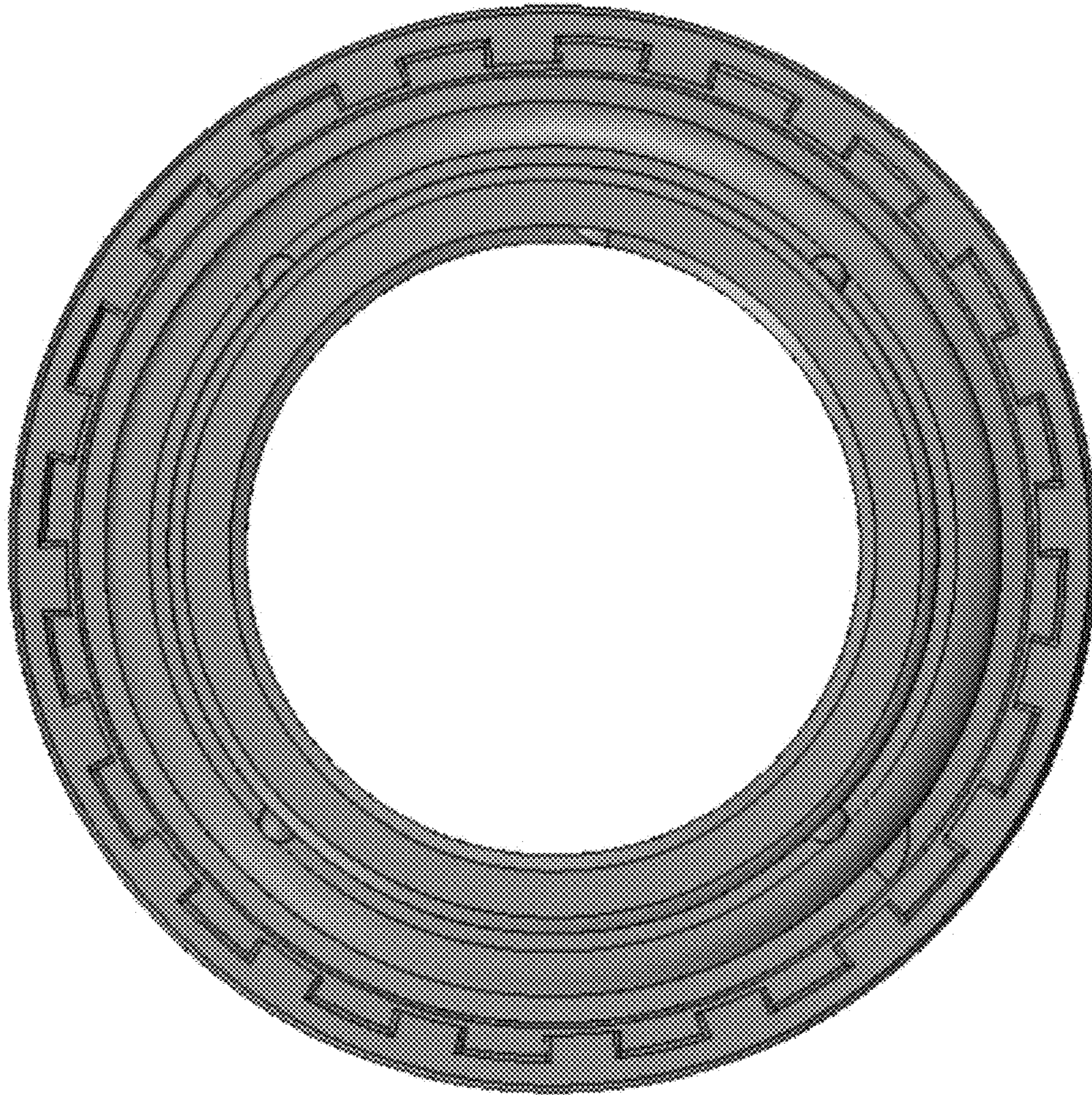
4.2



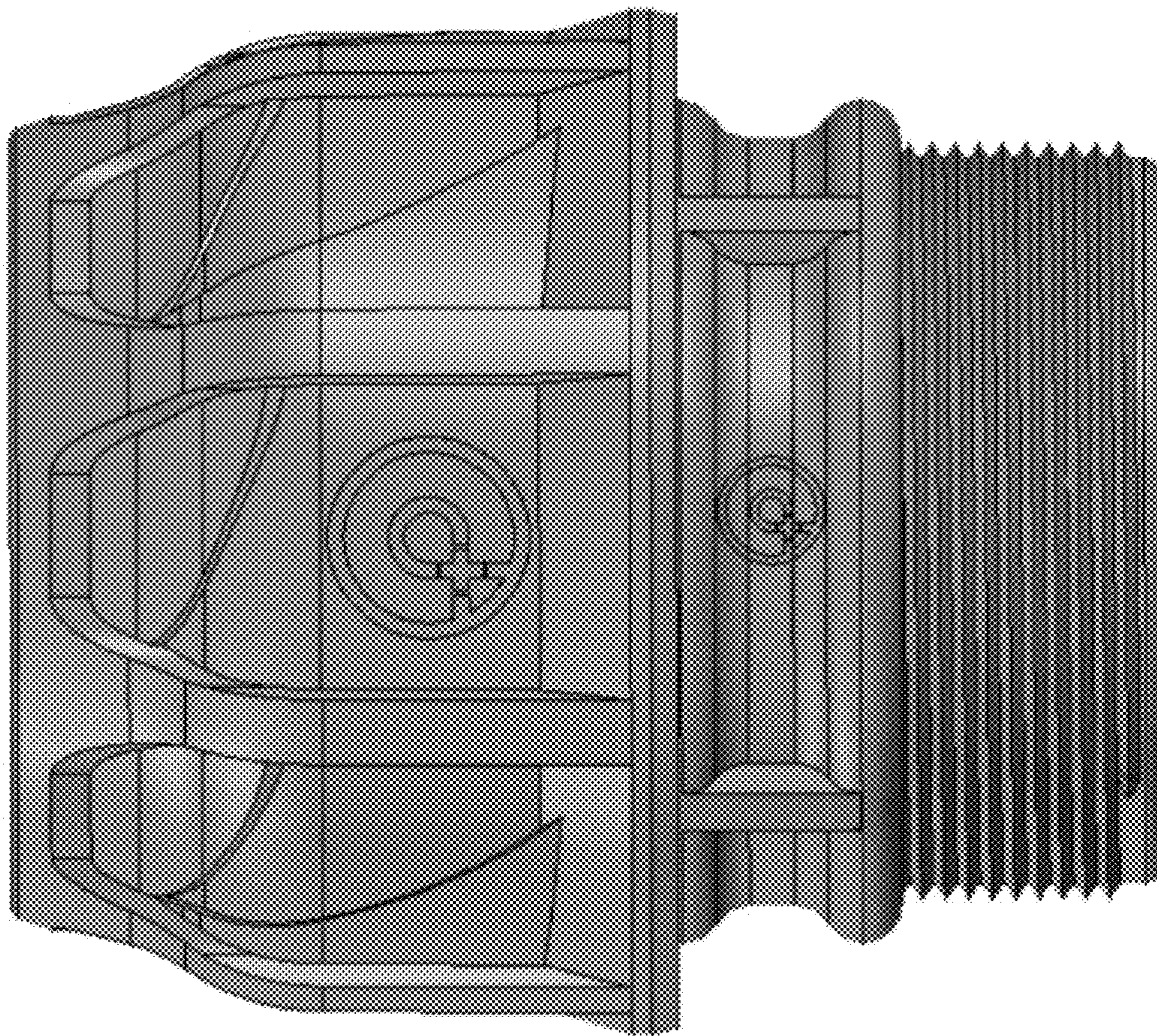
4.3



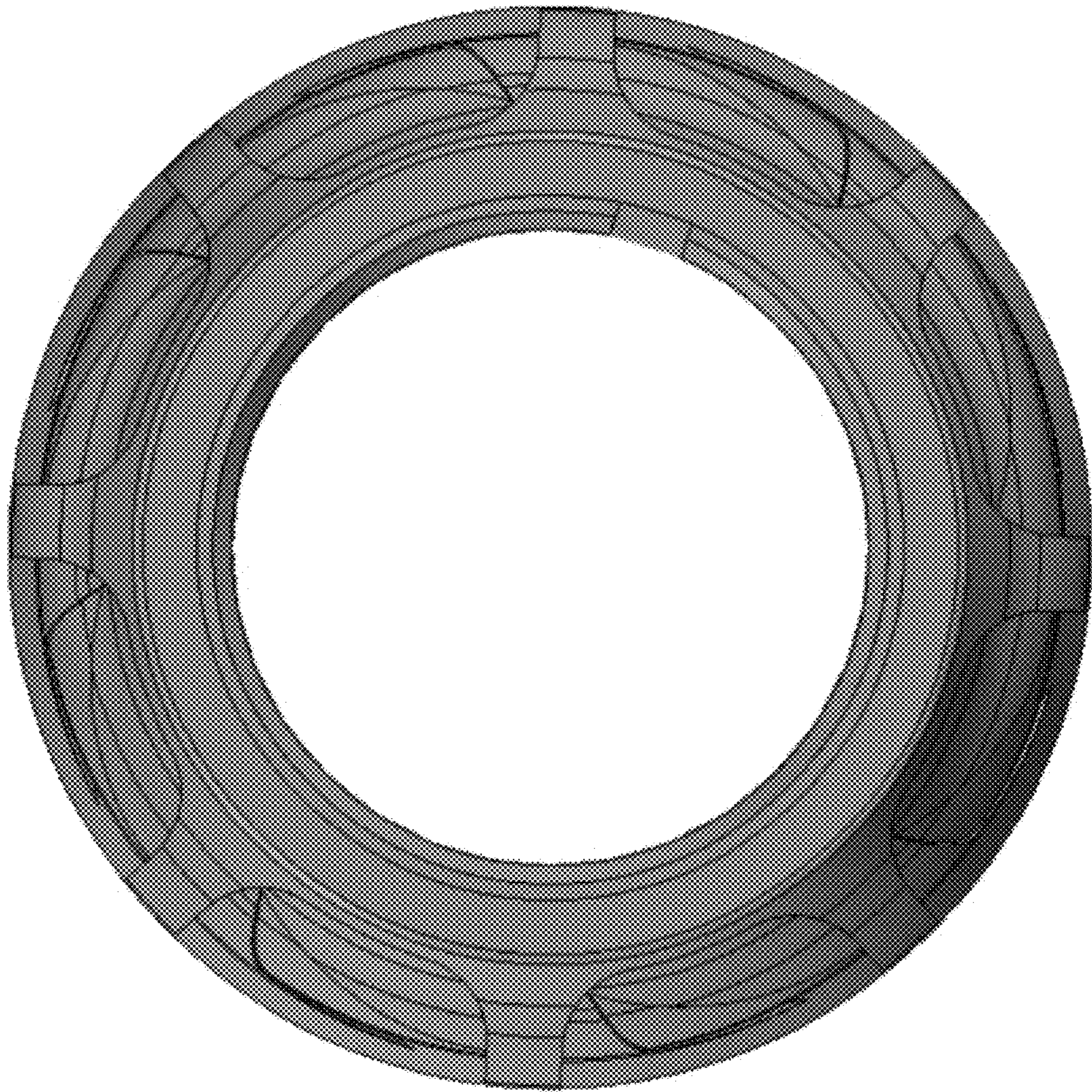
4.4



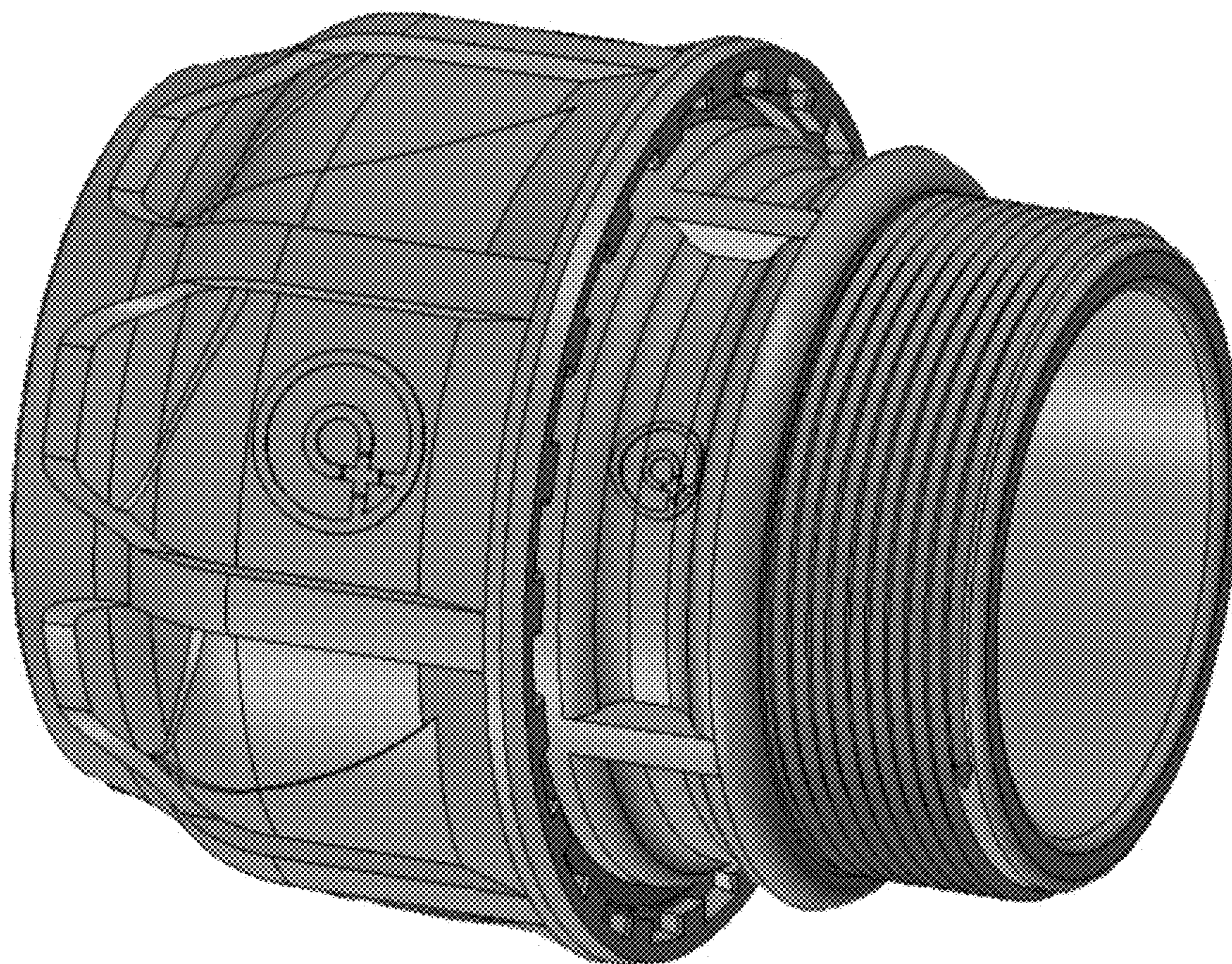
5.1



5.2



5.3



5.4

