



US00D816810S

(12) **United States Design Patent** (10) **Patent No.:** **US D816,810 S**
Li (45) **Date of Patent:** **** May 1, 2018**

(54) **DRAINAGE CONNECTING PIPE**
(71) Applicant: **BEIJING RUNDE HONGTU TECHNOLOGY DEVELOPMENT CO. LTD.**, Beijing (CN)
(72) Inventor: **Runfan Li**, Beijing (CN)
(73) Assignee: **BEIJING RUNDE HONGTU TECHNOLOGY DEVELOPMENT CO. LTD.**, Beijing (CN)
(**) Term: **15 Years**
(21) Appl. No.: **29/574,500**
(22) Filed: **Aug. 16, 2016**
(30) **Foreign Application Priority Data**
Feb. 17, 2016 (CN) 2016 3 0045878
(51) **LOC (11) Cl.** **23-01**
(52) **U.S. Cl.**
USPC **D23/259; D23/266**
(58) **Field of Classification Search**
USPC D23/202-203, 238, 259, 262-263, 266, D23/233; 138/40, 44, 109, 140, 38, 39, 138/111; 285/39, 222.1, 242, 245-246, 285/256, 260, 276, 382.4, 58, 124.5, 417, 285/125.1, 127.2, 131.1, 131.2, 152.1, 285/124.1; D24/129; D8/387; 137/54, 137/338, 339; 392/482; 165/172
CPC F16L 37/148; F16L 21/06; F16L 43/001; F16L 43/002; F16L 11/133; F16L 11/16; F16L 11/121; F16L 21/00; E03C 1/20; E03C 1/22; E03C 1/2306
See application file for complete search history.

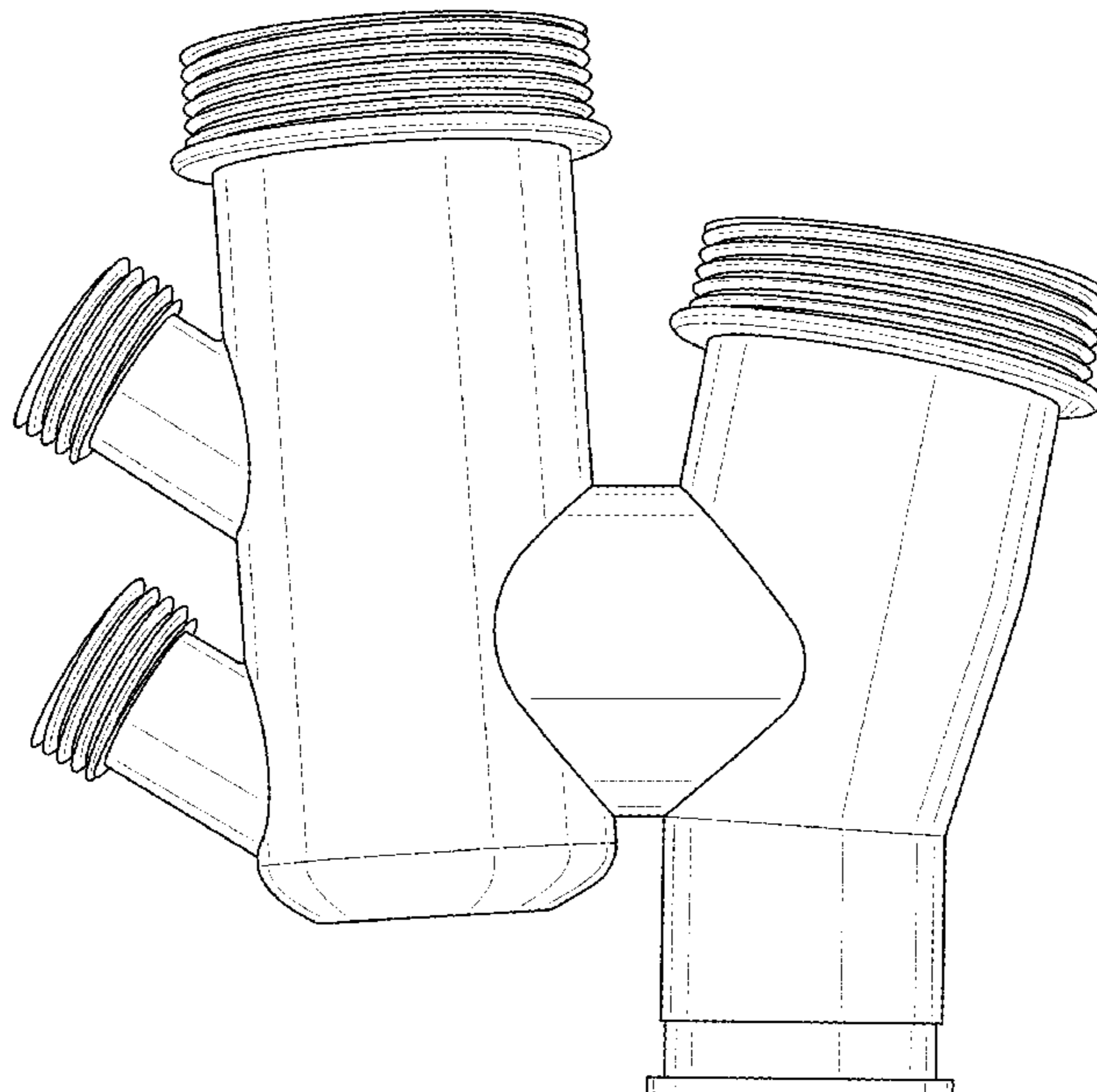
(56) **References Cited**
U.S. PATENT DOCUMENTS
1,203,989 A * 11/1916 Dehn E03C 1/22
285/129.1
1,362,718 A * 12/1920 McNamara E03C 1/22
285/125.1
3,495,281 A * 2/1970 Palowsky E03C 1/22
285/129.1
D232,552 S * 8/1974 Watson D23/263
4,179,762 A * 12/1979 Barnhardt E03C 1/282
137/247.51
D469,859 S * 2/2003 Didone D23/266
D682,399 S * 5/2013 Funderburg D23/266
2015/0225933 A1 * 8/2015 Makaton E03C 1/284
137/123

* cited by examiner
Primary Examiner — Eric L Goodman
Assistant Examiner — Amy C Wierenga
(74) *Attorney, Agent, or Firm* — Ohlandt, Greeley, Ruggiero & Perle, LLP

(57) **CLAIM**
The ornamental design for a drainage connecting pipe, as shown.

DESCRIPTION
FIG. 1 is a front view of a drainage connecting pipe according to the present application;
FIG. 2 is a rear view of the drainage connecting pipe;
FIG. 3 is a left view of the drainage connecting pipe;
FIG. 4 is a right view of the drainage connecting pipe;
FIG. 5 is a top view of the drainage connecting pipe;
FIG. 6 is a bottom view of the drainage connecting pipe;
and,
FIG. 7 is a perspective view of the drainage connecting pipe.

1 Claim, 7 Drawing Sheets



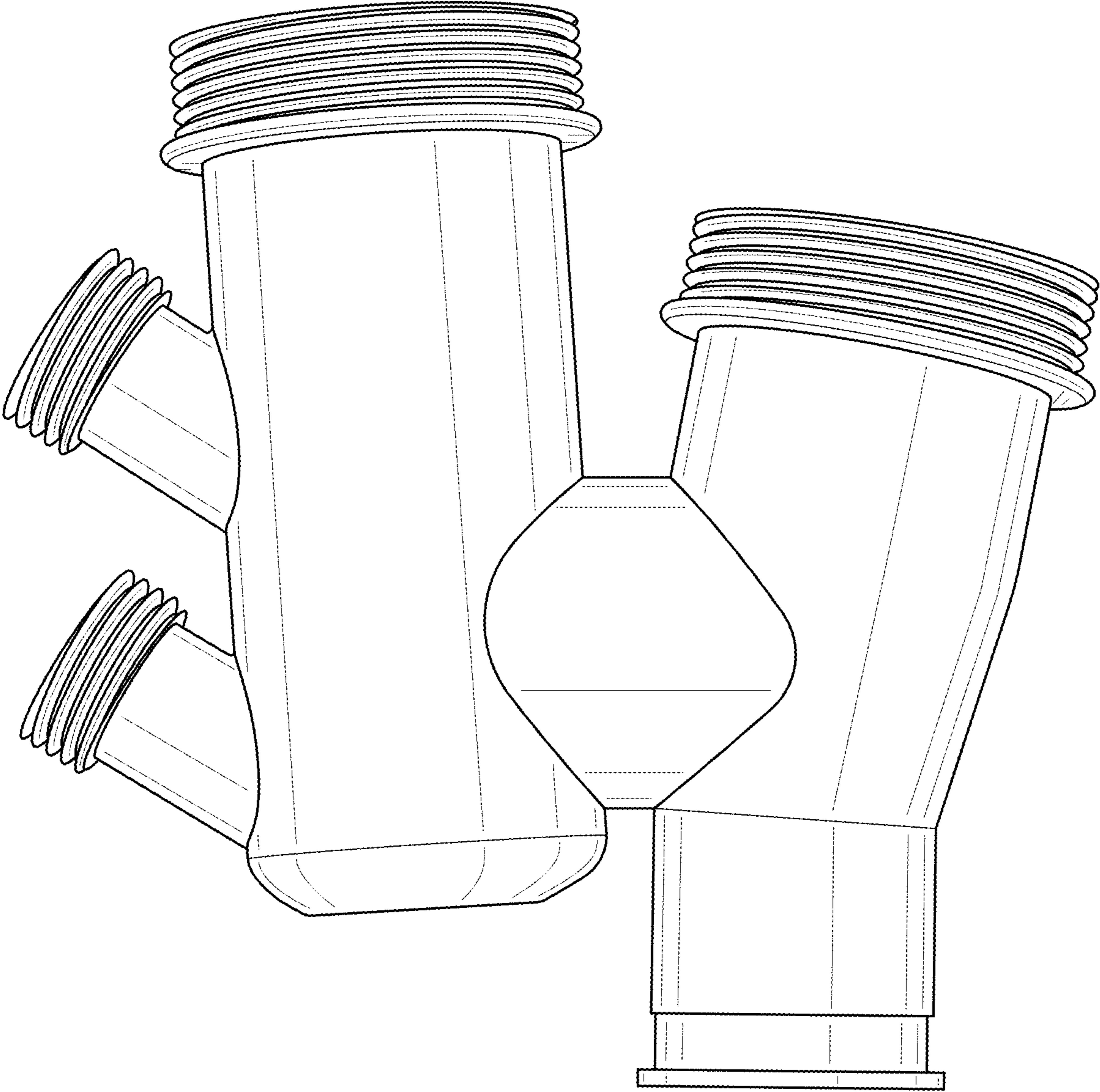


FIG. 1

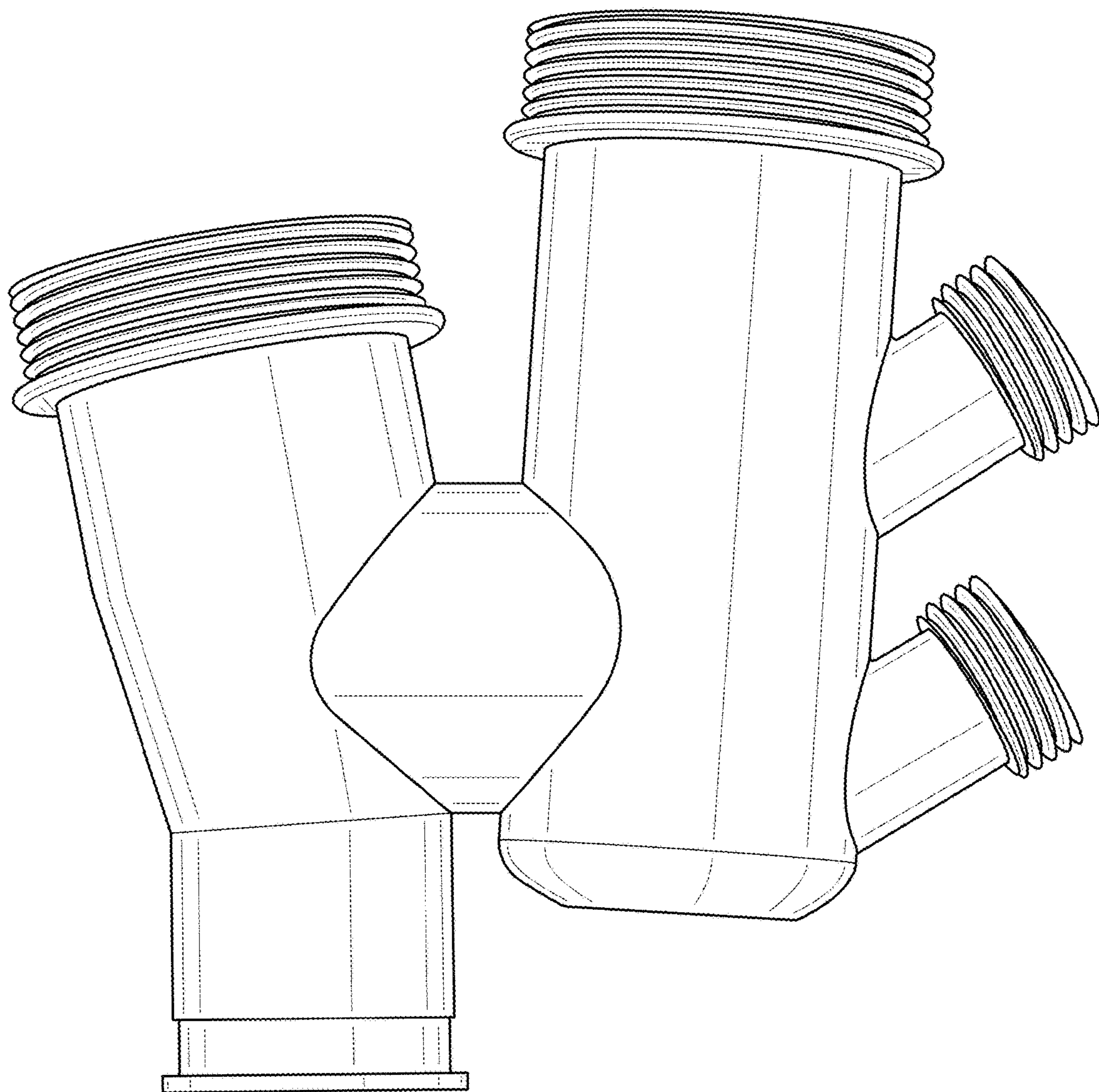


FIG. 2

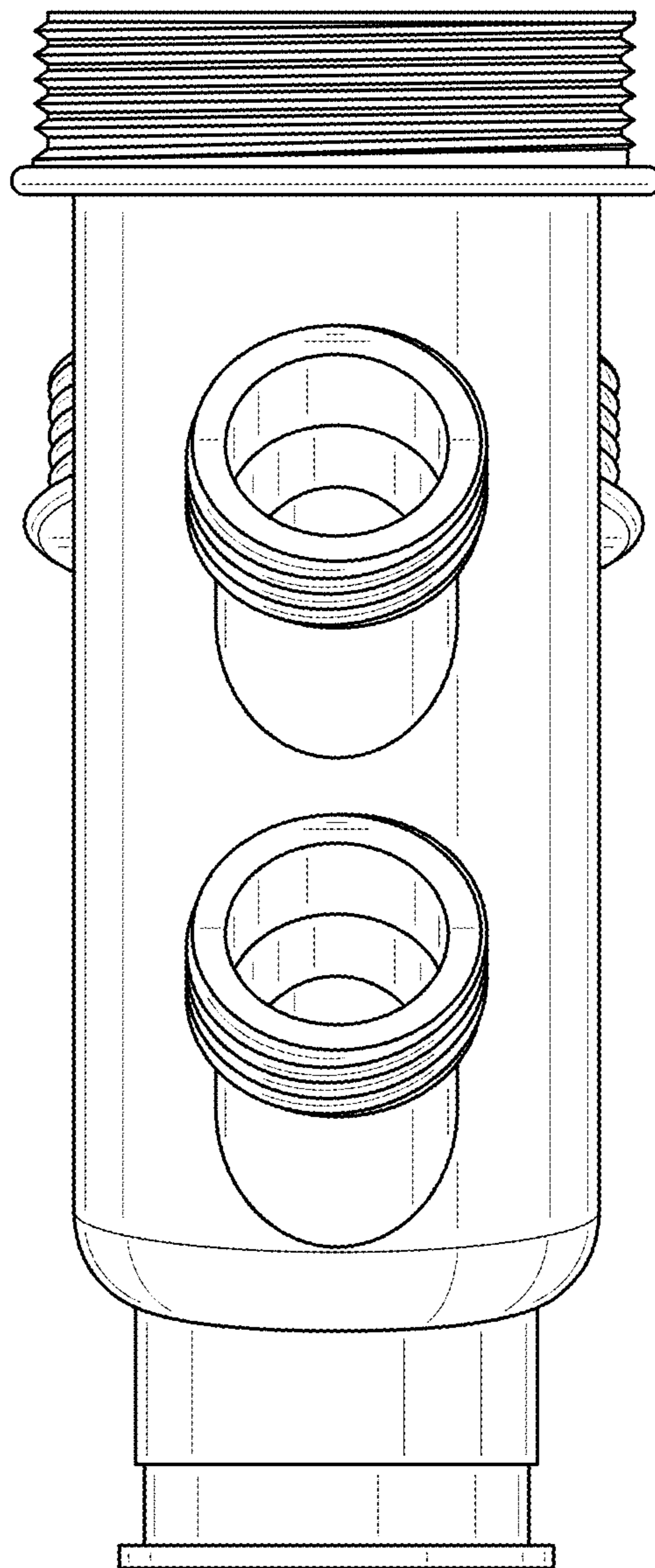


FIG. 3

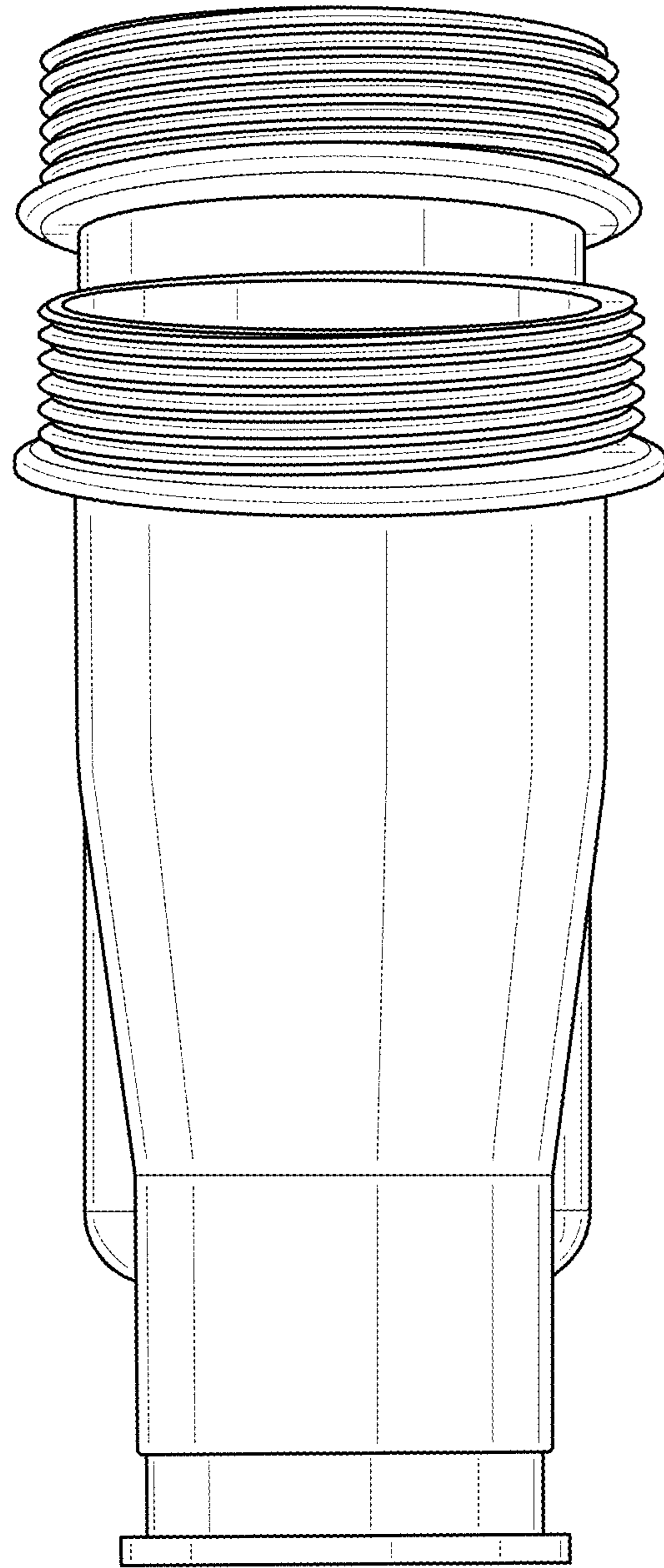


FIG. 4

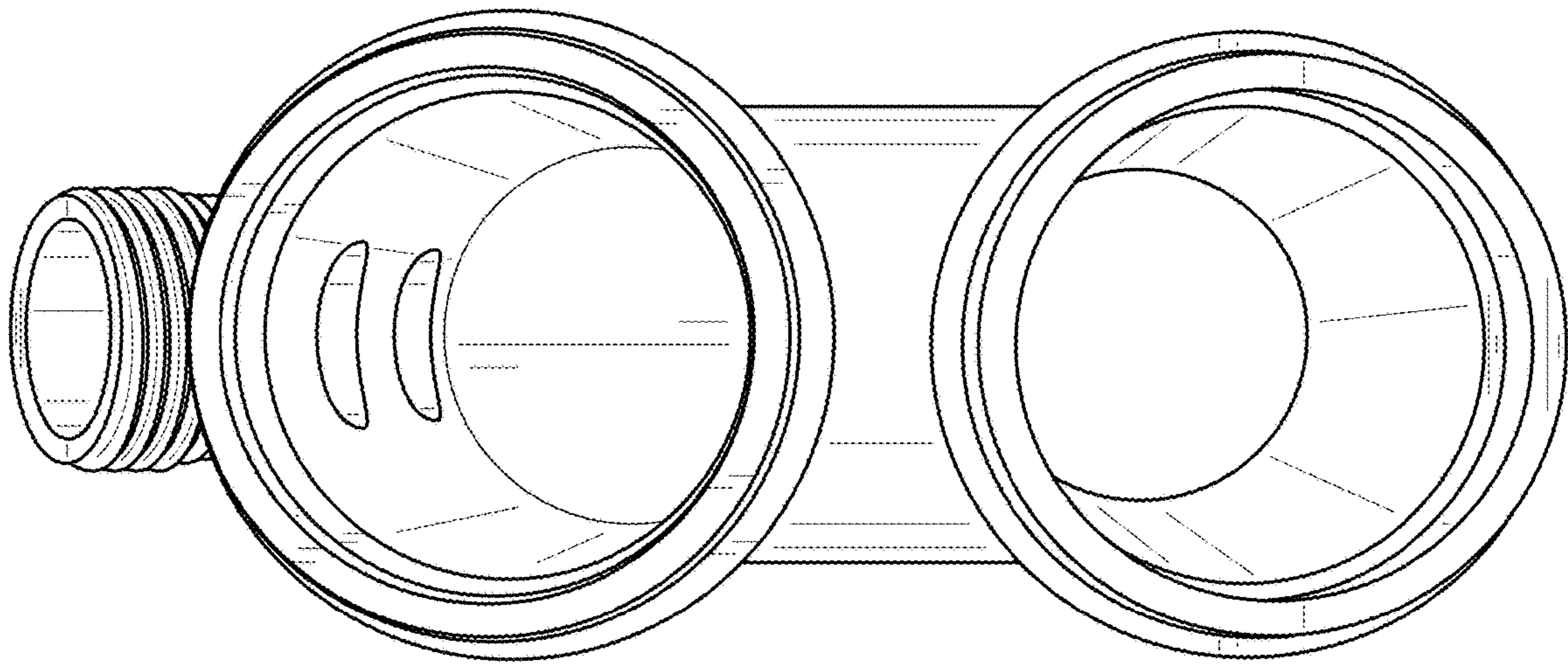


FIG. 5

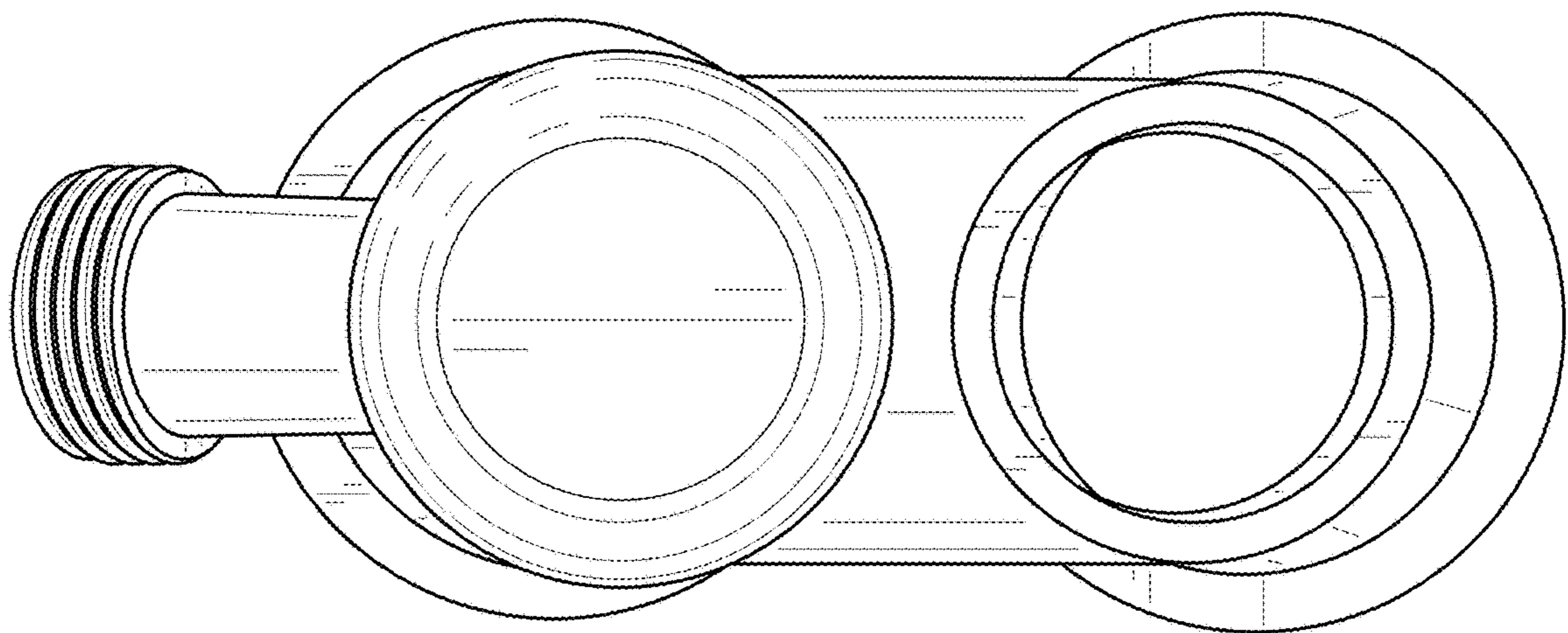


FIG. 6

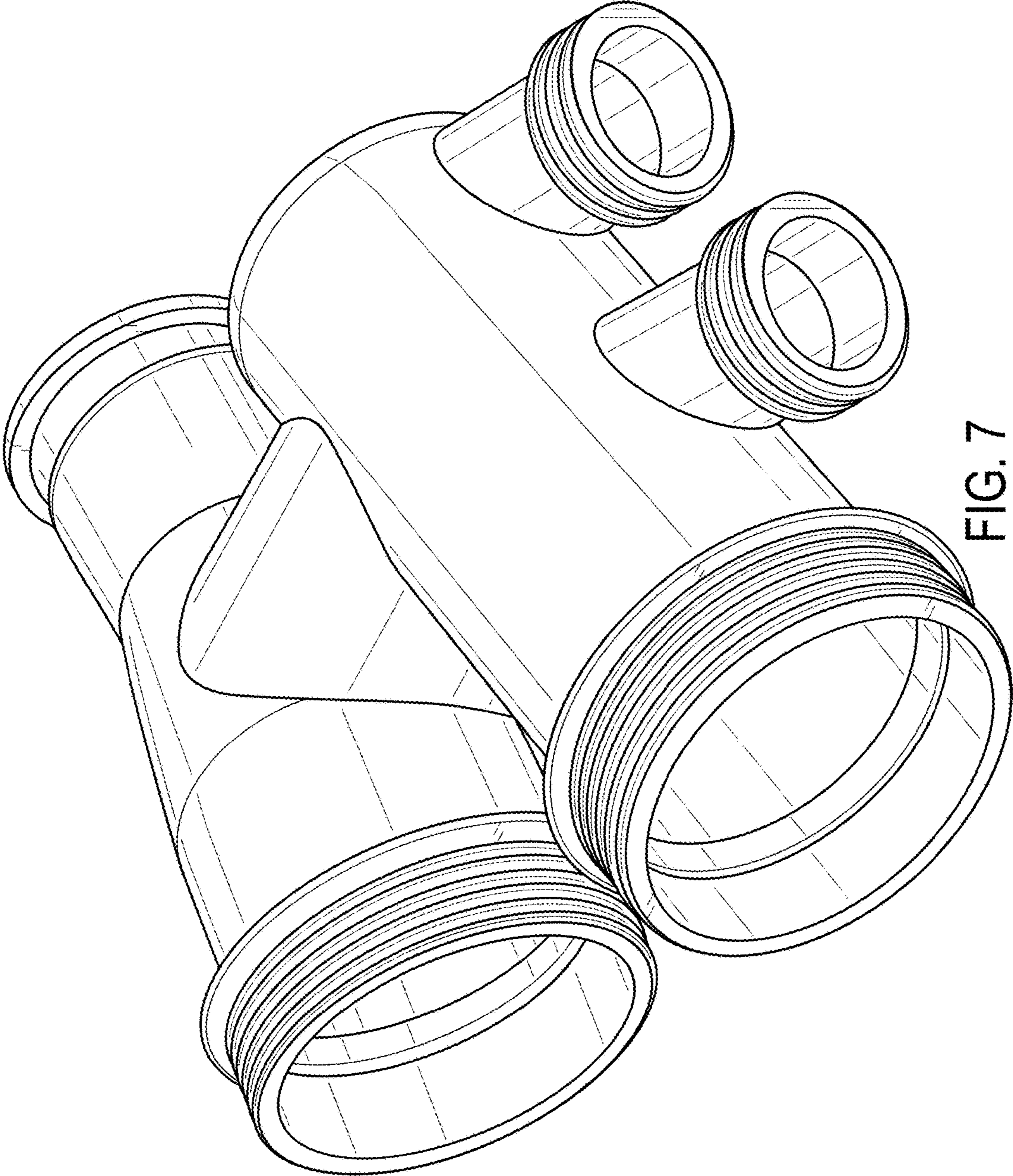


FIG. 7