



US00D816809S

(12) **United States Design Patent**  
**Wang**

(10) **Patent No.:** **US D816,809 S**

(45) **Date of Patent:** **\*\* May 1, 2018**

(54) **SPOUT**

(71) Applicant: **Spectrum Brands, Inc.**, Middleton, WI (US)

(72) Inventor: **Bingo Wang**, Xiamen (CN)

(73) Assignee: **Spectrum Brands, Inc.**, Middleton, WI (US)

(\*\*) Term: **15 Years**

(21) Appl. No.: **29/593,404**

(22) Filed: **Feb. 8, 2017**

(51) **LOC (11) Cl.** ..... **23-01**

(52) **U.S. Cl.**  
USPC ..... **D23/255**

(58) **Field of Classification Search**  
USPC ..... D23/237, 238, 240-243, 249, 255, 257;  
D6/524  
CPC ..... E03C 1/0401; E03C 1/04; E03C 1/0402;  
E03C 1/0404; B25B 23/16; C02F 1/50;  
A47K 5/14; Y10T 137/9464  
See application file for complete search history.

(56) **References Cited**

U.S. PATENT DOCUMENTS

D520,121 S \* 5/2006 Hoernig ..... D23/255  
D584,385 S \* 1/2009 Hanna ..... D23/255

D607,978 S \* 1/2010 Williams ..... D23/255  
D608,859 S \* 1/2010 Schoenherr ..... D23/242  
D681,174 S \* 4/2013 Liao ..... D23/257  
D683,434 S \* 5/2013 Kwok ..... D23/255  
D697,178 S \* 1/2014 Georgeson ..... D23/255  
D697,179 S \* 1/2014 Georgeson ..... D23/255  
D713,511 S \* 9/2014 Potter ..... D23/257  
D732,144 S \* 6/2015 Bahler ..... D23/257  
D773,615 S \* 12/2016 Potter ..... D23/242  
D790,669 S \* 6/2017 Potter ..... D23/255

\* cited by examiner

*Primary Examiner* — Robert M. Spear

(74) *Attorney, Agent, or Firm* — Banner & Witcoff, Ltd.

(57) **CLAIM**

The ornamental design for a spout, as shown and described.

**DESCRIPTION**

FIG. 1 is a front perspective view of a spout showing my new design;

FIG. 2 is a front view thereof;

FIG. 3 is a rear view thereof;

FIG. 4 is a right side view thereof;

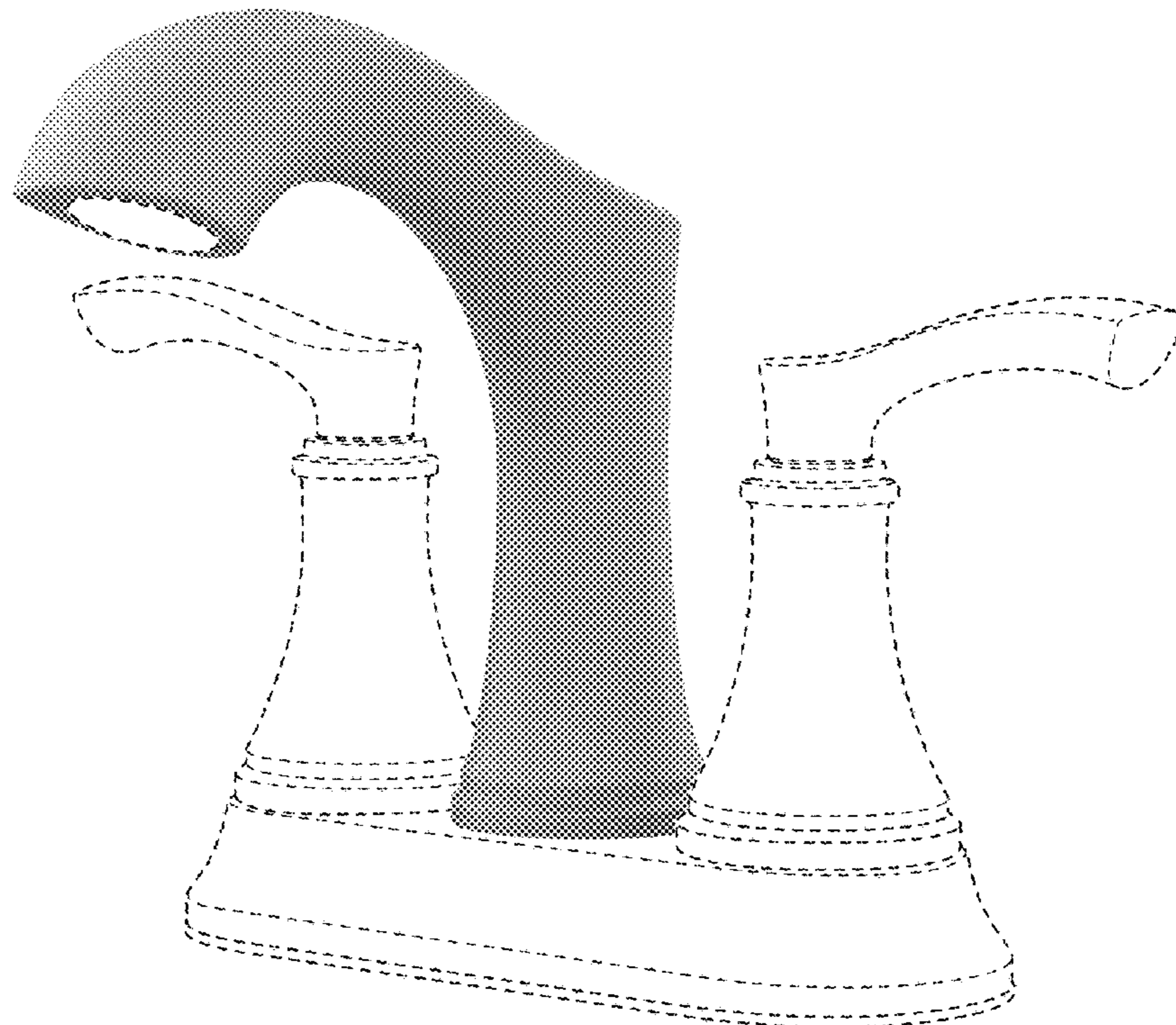
FIG. 5 is a left side view thereof;

FIG. 6 is a top view thereof; and,

FIG. 7 is a bottom view thereof.

The broken line showing of the various unshaded regions represents unclaimed subject matter and forms no part of the claimed design.

**1 Claim, 7 Drawing Sheets**



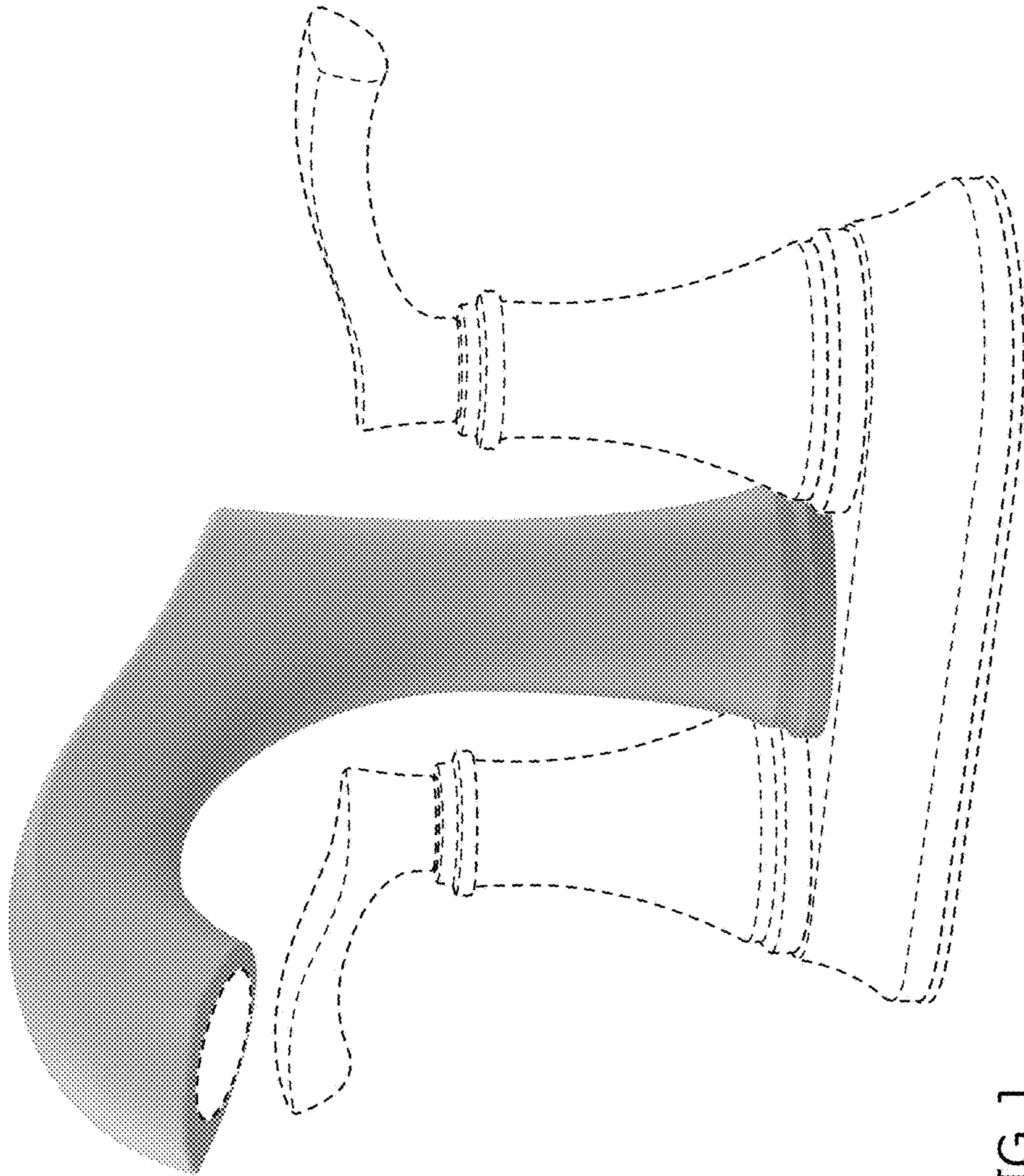


FIG. 1

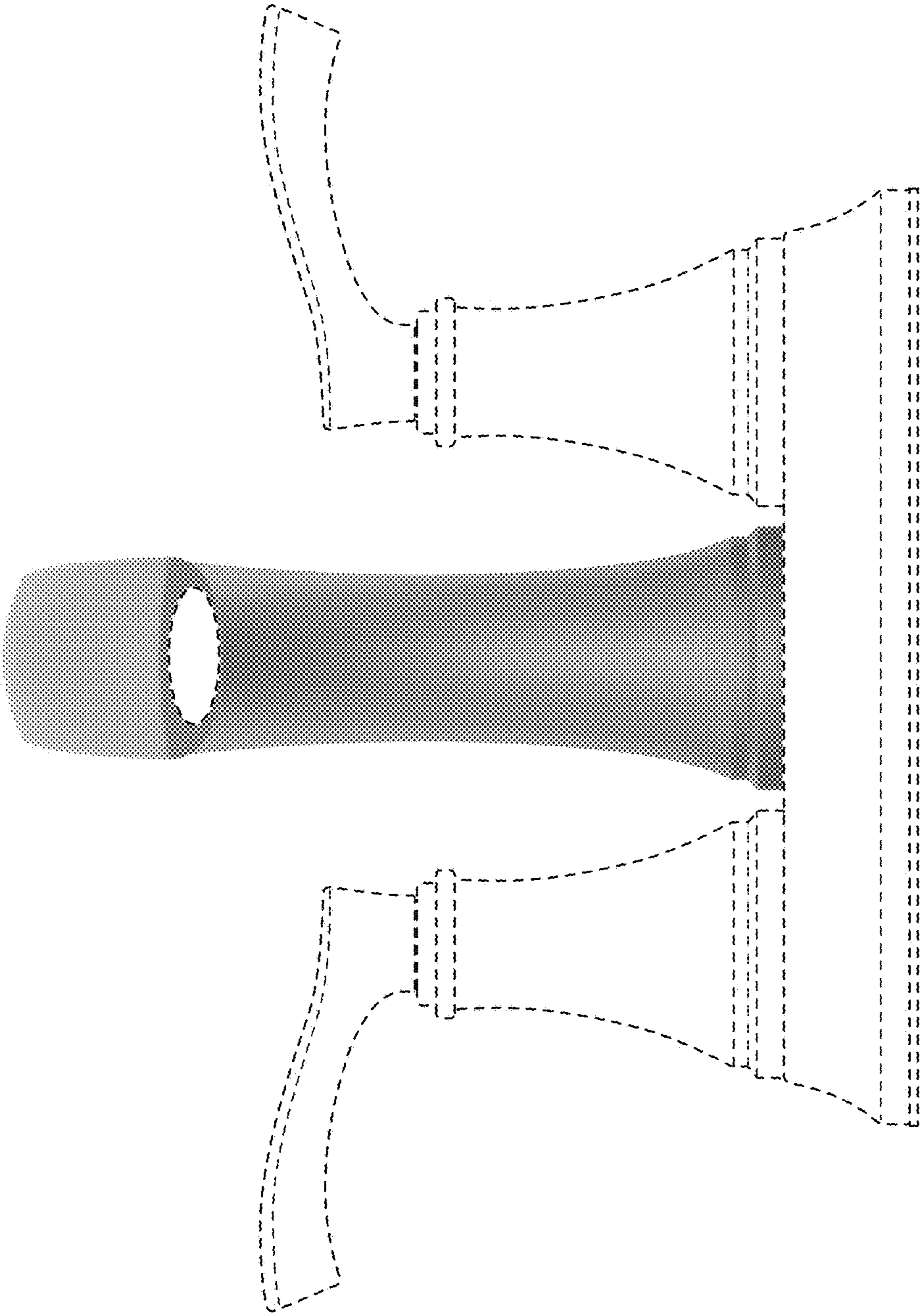


FIG. 2

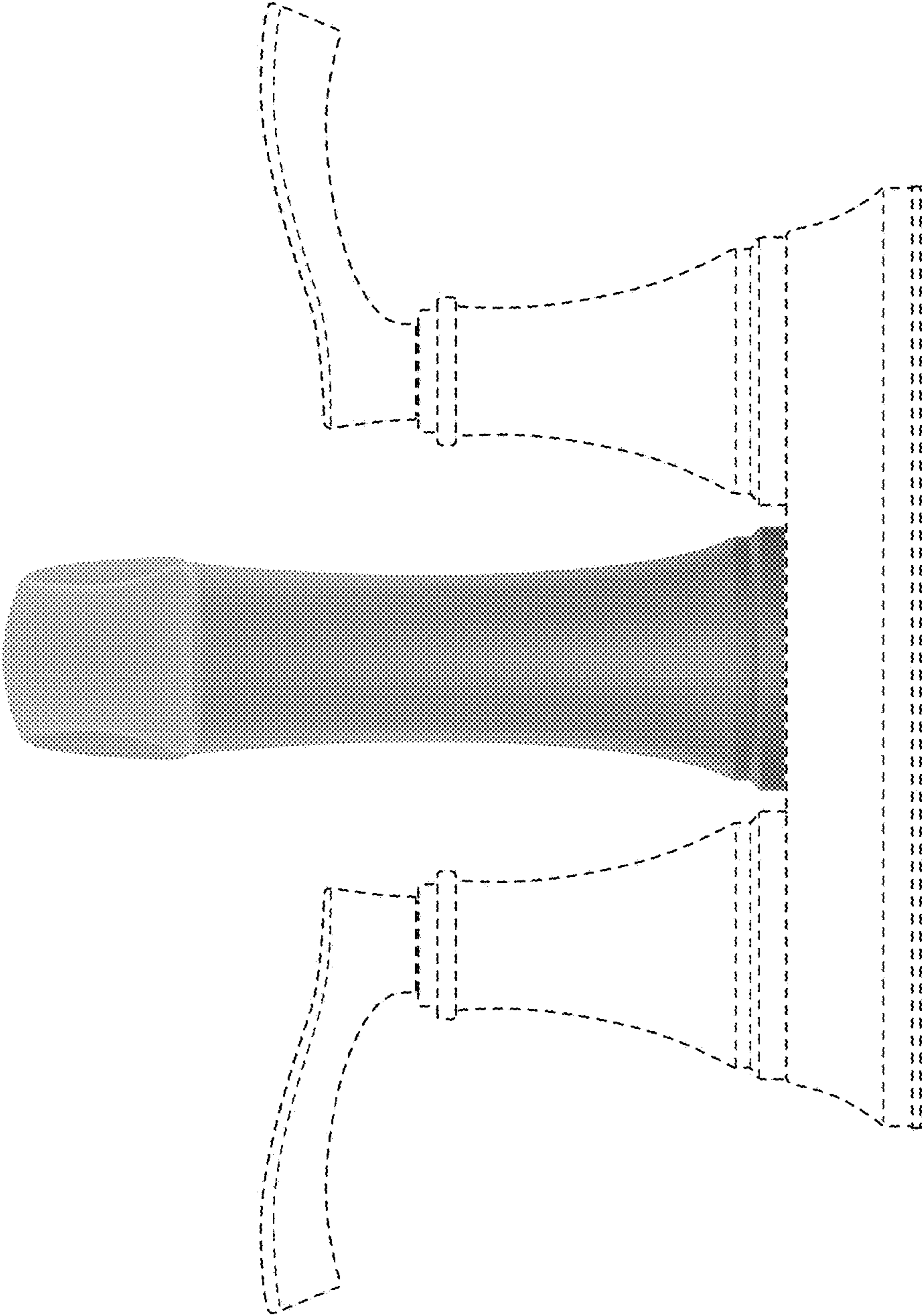


FIG. 3

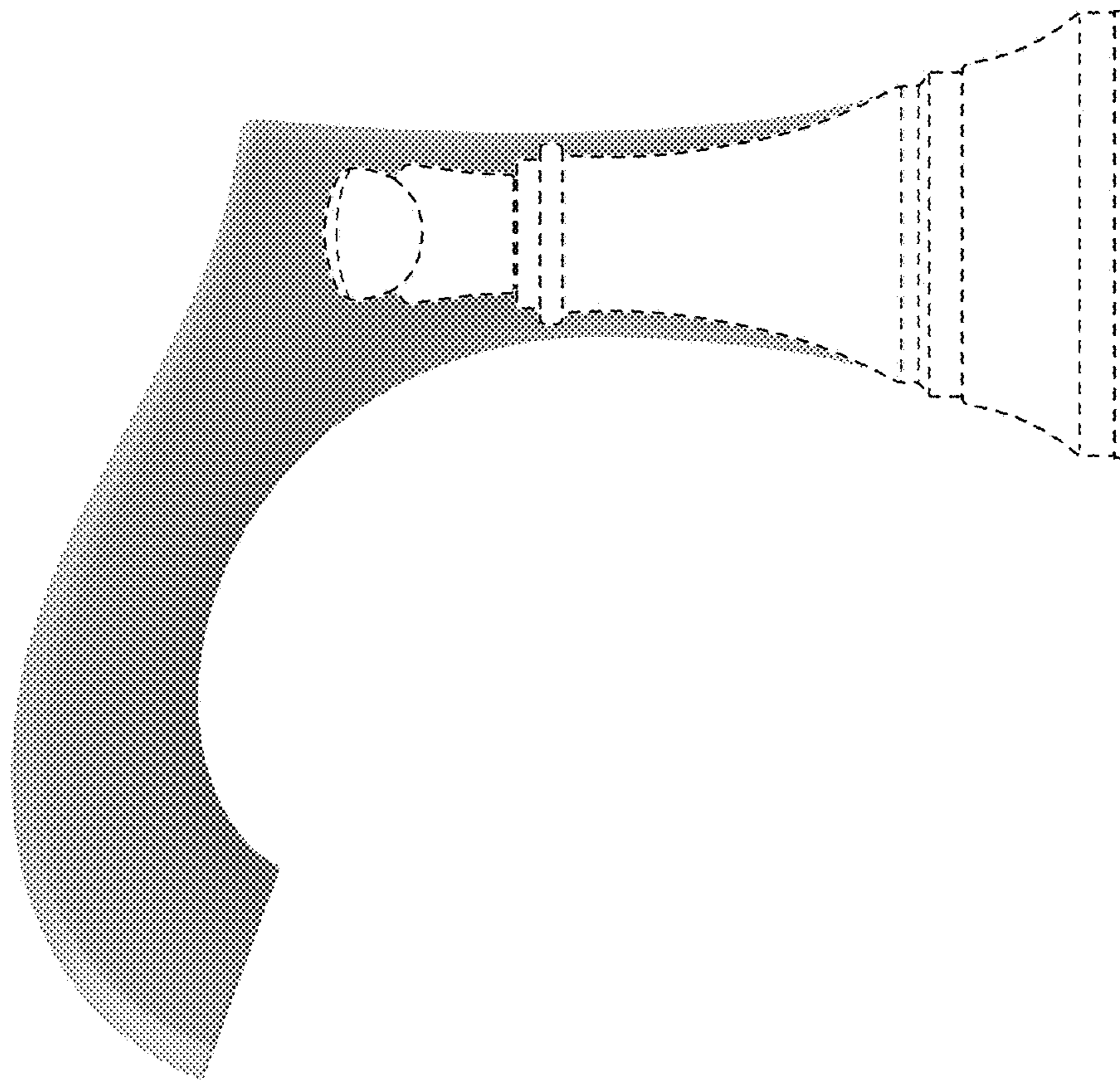


FIG. 4

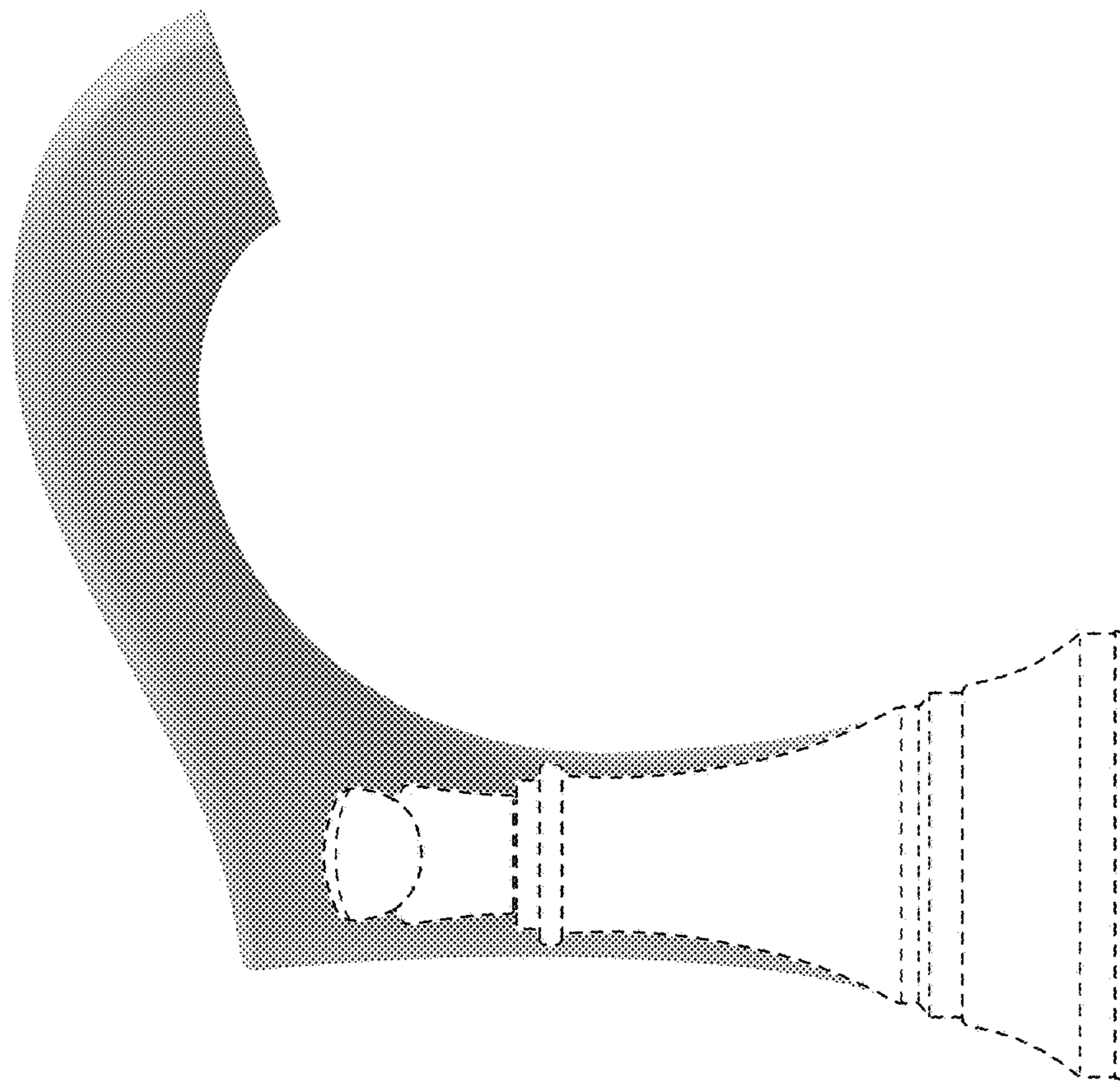


FIG. 5

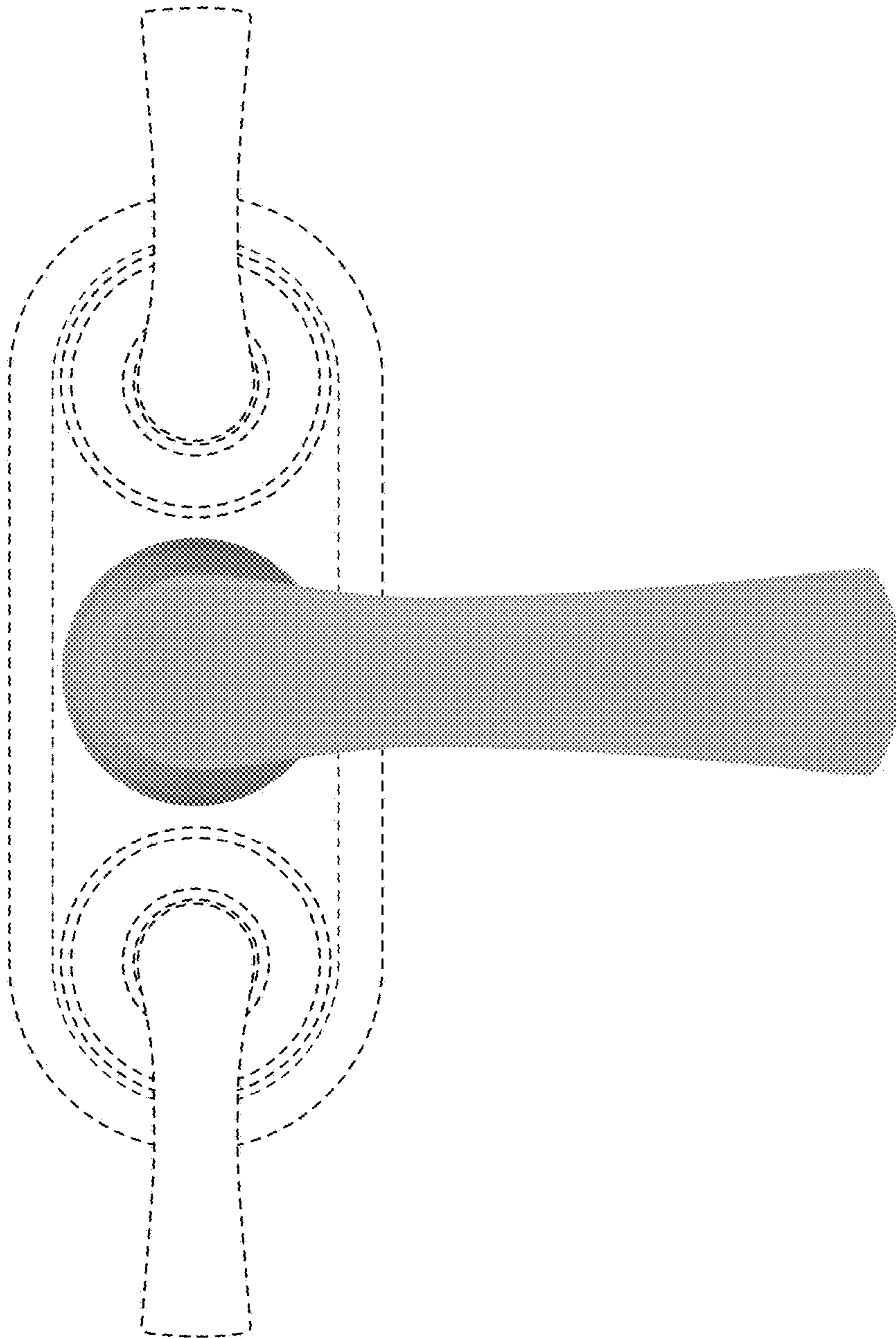


FIG. 6

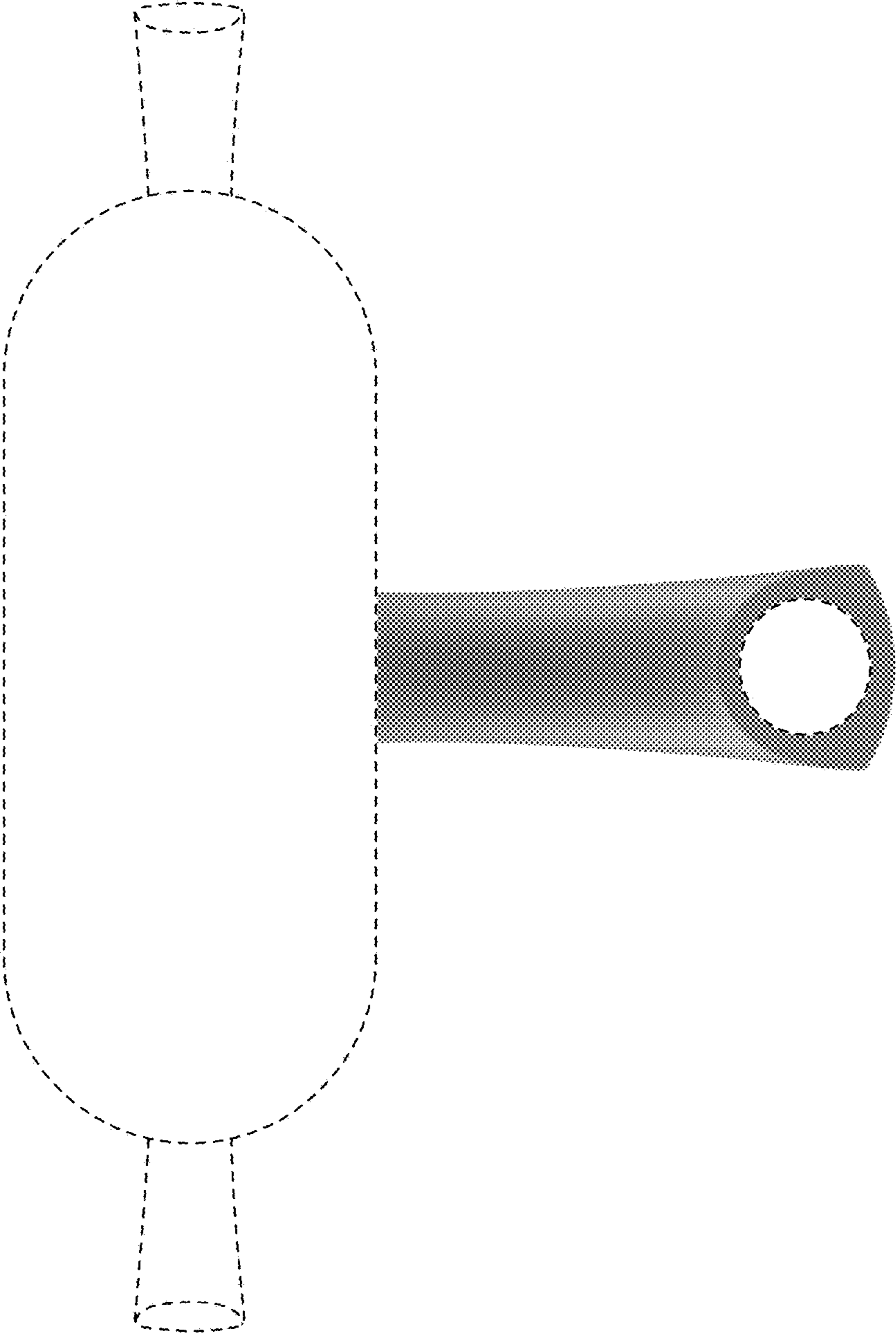


FIG. 7