



US00D816808S

(12) **United States Design Patent**
Chen

(10) **Patent No.:** **US D816,808 S**

(45) **Date of Patent:** **** May 1, 2018**

(54) **FAUCET**

(71) Applicant: **LIANG-PING SANITARY FACILITY CO., LTD.**, Lukang Jem, Changhau Shien (TW)

(72) Inventor: **Hsi-Liang Chen**, Changhau Shien (TW)

(73) Assignee: **LIANG-PING SANITARY FACILITY CO., LTD.**, Changhau Shien (TW)

(**) Term: **15 Years**

(21) Appl. No.: **29/592,015**

(22) Filed: **Jan. 25, 2017**

(51) **LOC (11) Cl.** **23-01**

(52) **U.S. Cl.**
USPC **D23/255; D23/245**

(58) **Field of Classification Search**
USPC D23/237, 238, 240-243, 245, 249, 255, D23/257; D6/524
CPC E03C 1/0401; E03C 1/04; E03C 1/0402; E03C 1/0404; B25B 23/16; C02F 1/50; A47K 5/14; Y10T 137/9464
See application file for complete search history.

(56) **References Cited**

U.S. PATENT DOCUMENTS

D463,534 S *	9/2002	Lord	D23/255
D465,010 S *	10/2002	Lord	D23/238
D469,854 S *	2/2003	Ouyoung	23/241
D478,371 S *	8/2003	Ouyoung	D23/238
D487,305 S *	3/2004	Ouyoung	D23/238
D531,705 S *	11/2006	Green	D23/255
D544,946 S *	6/2007	Lord	D23/238
D545,400 S *	6/2007	Kemp	D23/249

D577,420 S *	9/2008	Corbett	D23/238
D683,434 S *	5/2013	Kwok	D23/255
D687,522 S *	8/2013	Flowers	D23/255
D752,189 S *	3/2016	Georgeson	D23/257
D790,671 S *	6/2017	Zhang	D23/257

OTHER PUBLICATIONS

Liang Ping Teapot Faucet reference found online [Nov. 24, 2017]—
<https://red-dot-21.com/p/design-products/garden/other-garden/34-181-teapot-faucet/?ref=/manufacturer/liang-ping-sanitary-facility-co-ltd/&sp=846>.*

* cited by examiner

Primary Examiner — Robert M. Spear
Assistant Examiner — John A Voytek

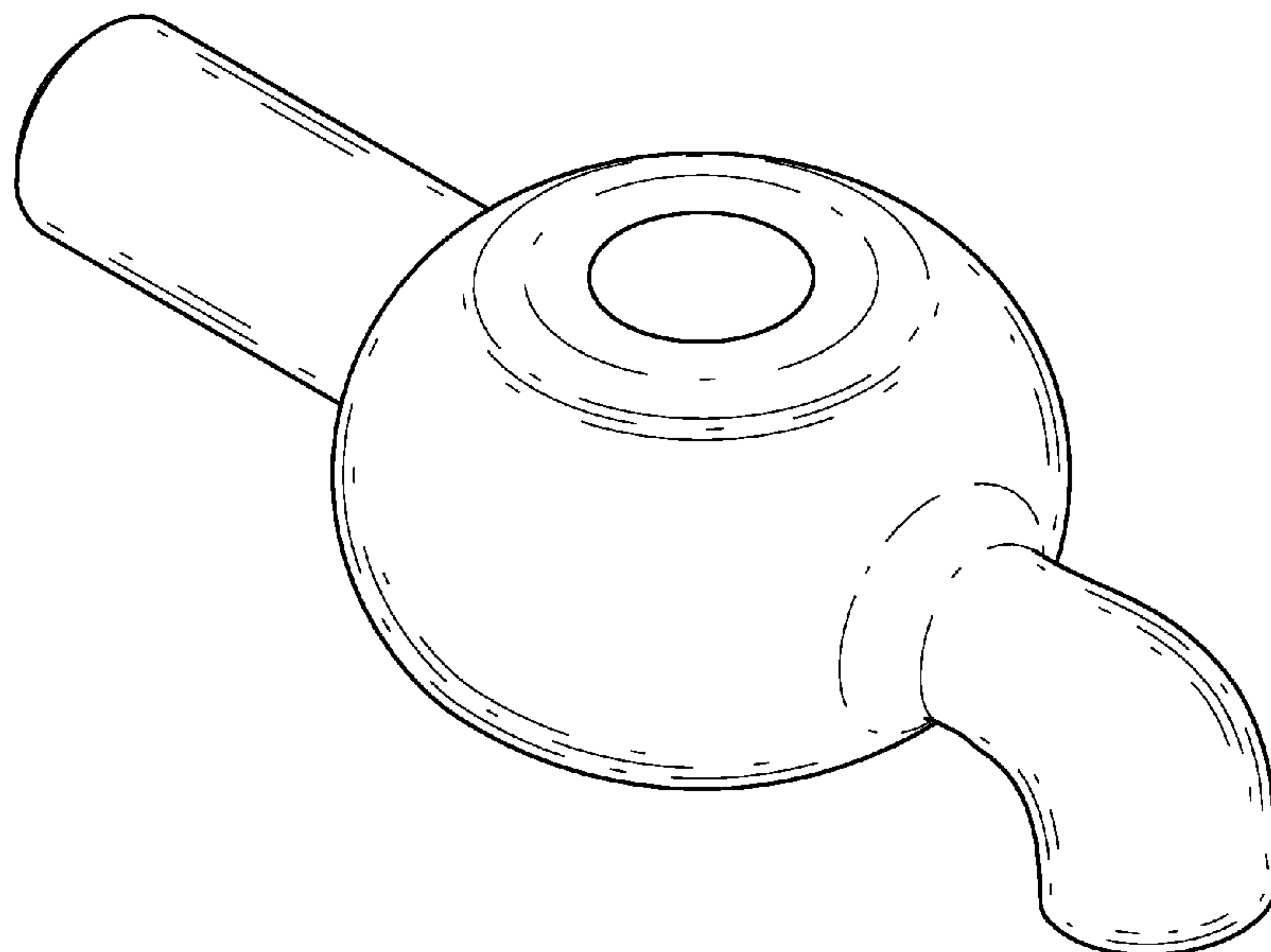
(57) **CLAIM**

The ornamental design for a faucet, as shown and described.

DESCRIPTION

FIG. 1 is a perspective view of a faucet showing my new design;
FIG. 2 is a front elevational view thereof;
FIG. 3 is a rear elevational view thereof;
FIG. 4 is a left side elevational view thereof;
FIG. 5 is a right side elevational view thereof;
FIG. 6 is a top plan view thereof;
FIG. 7 is a bottom plan view thereof; and,
FIG. 8 is a perspective schematic view illustrating an application of a faucet showing my design.
The broken lines in FIG. 8 depict environmental subject matter only and form no part of the claimed design.

1 Claim, 5 Drawing Sheets



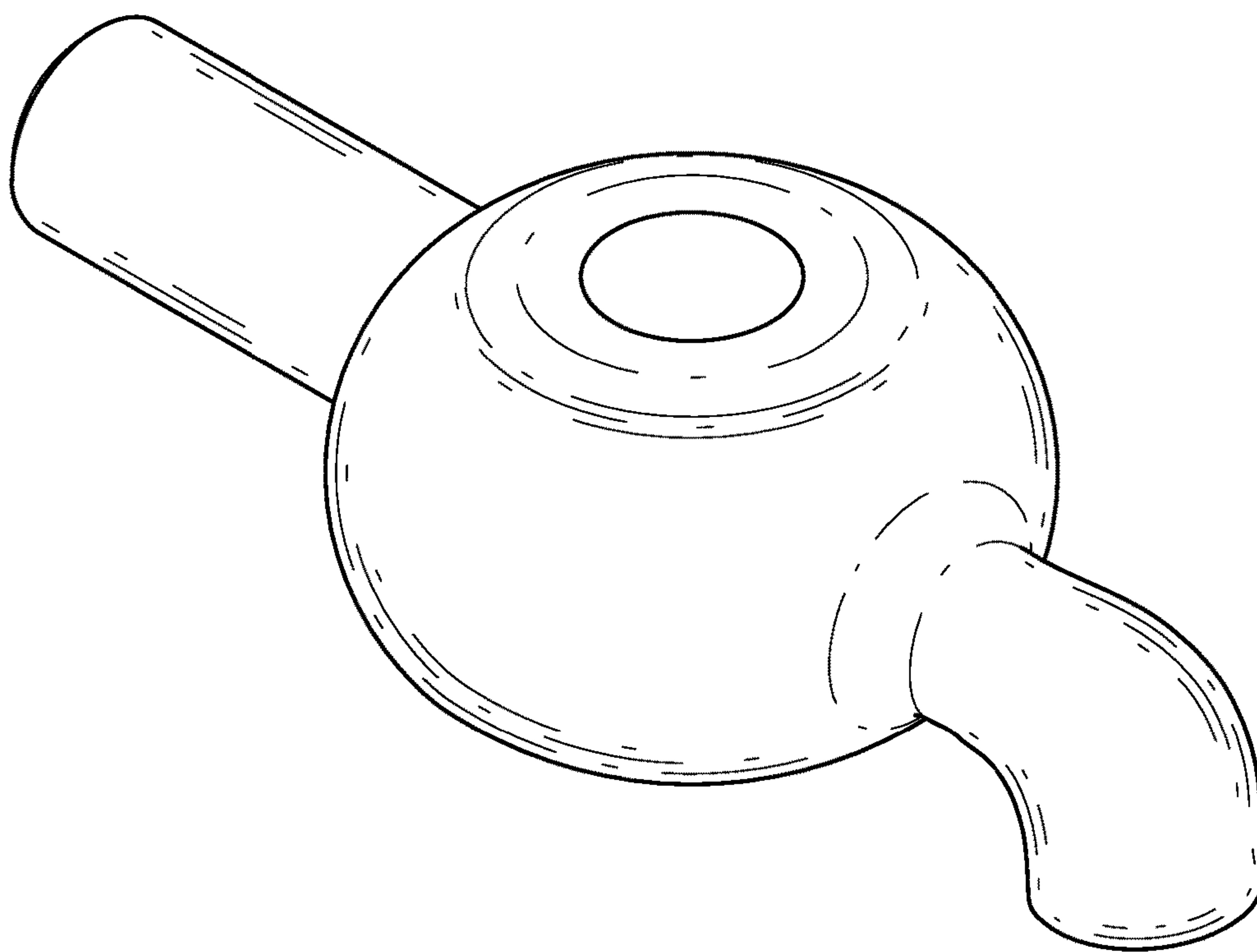


FIG. 1

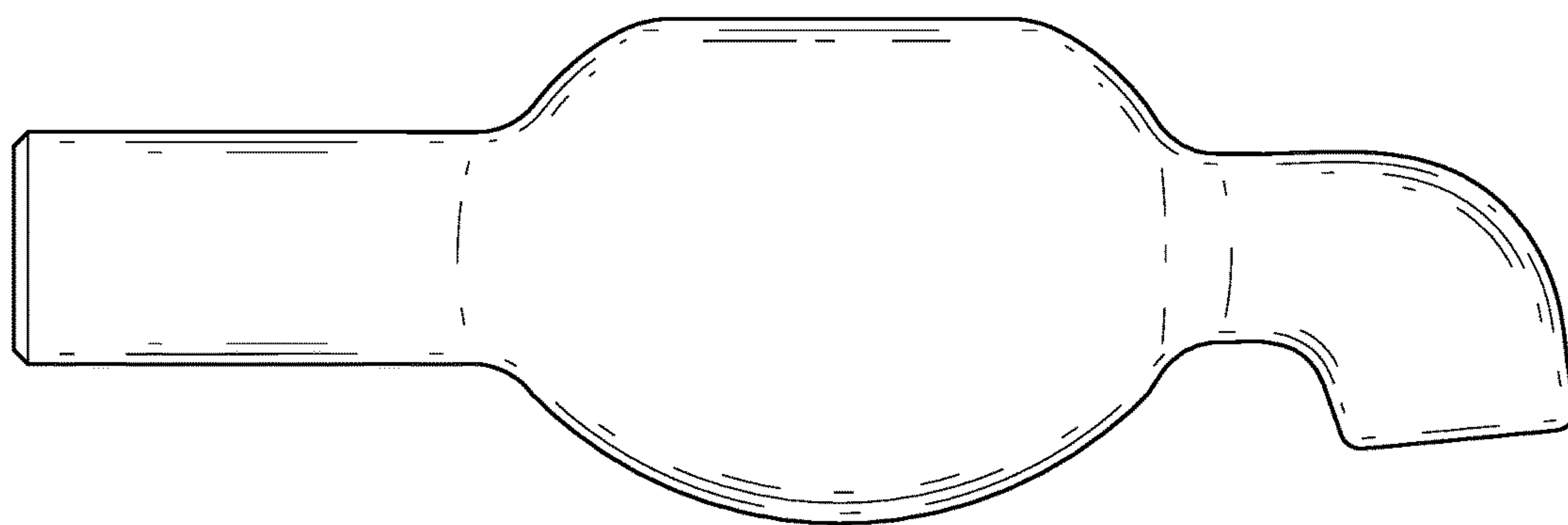


FIG. 2

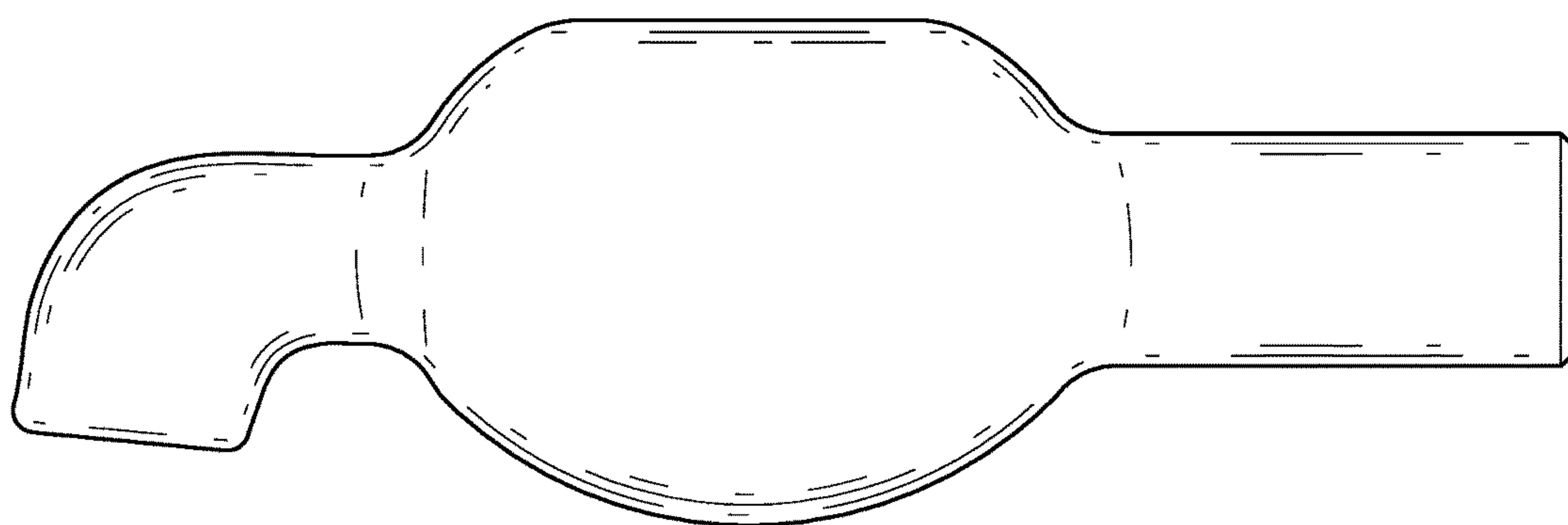


FIG. 3

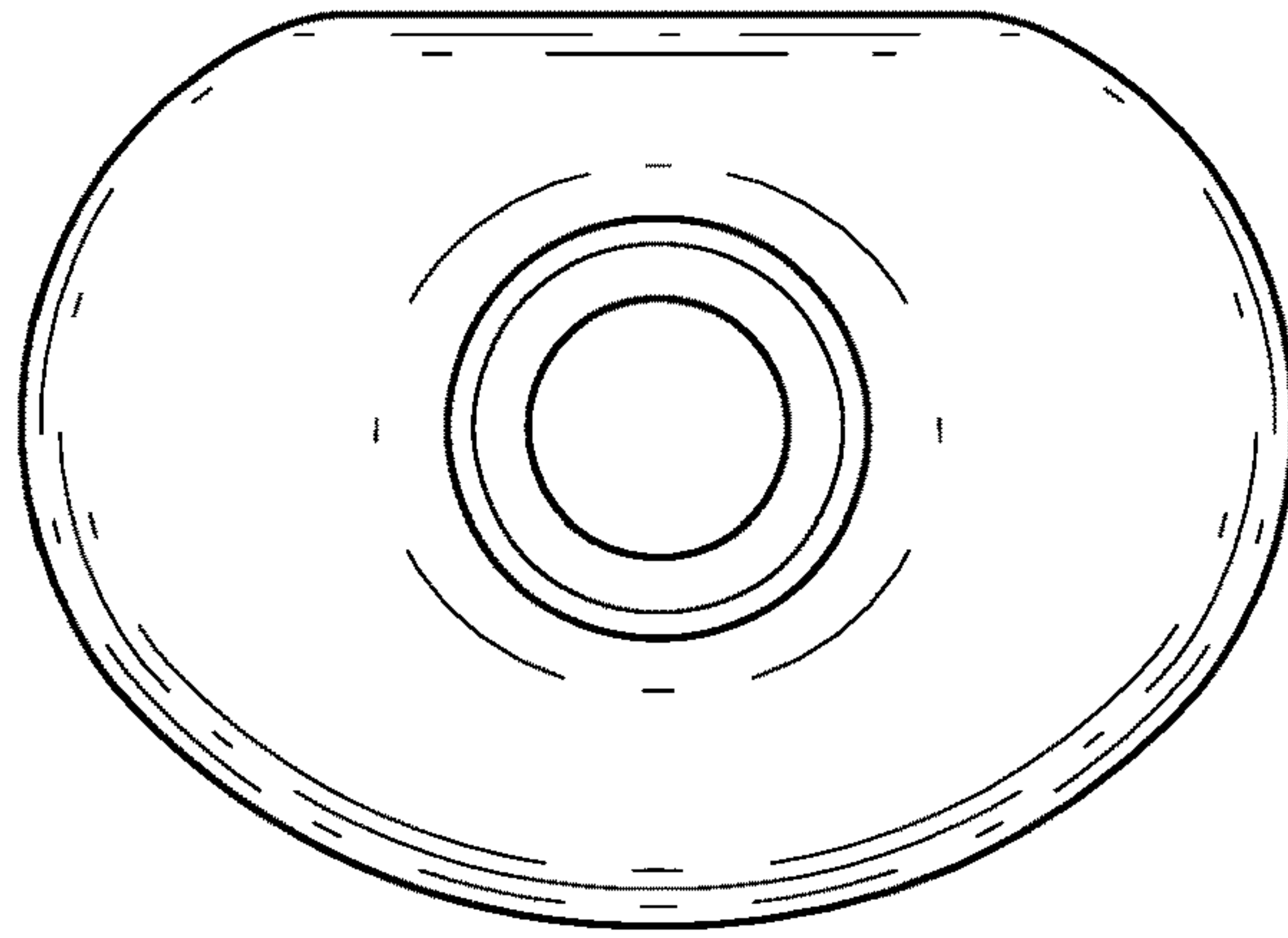


FIG. 4

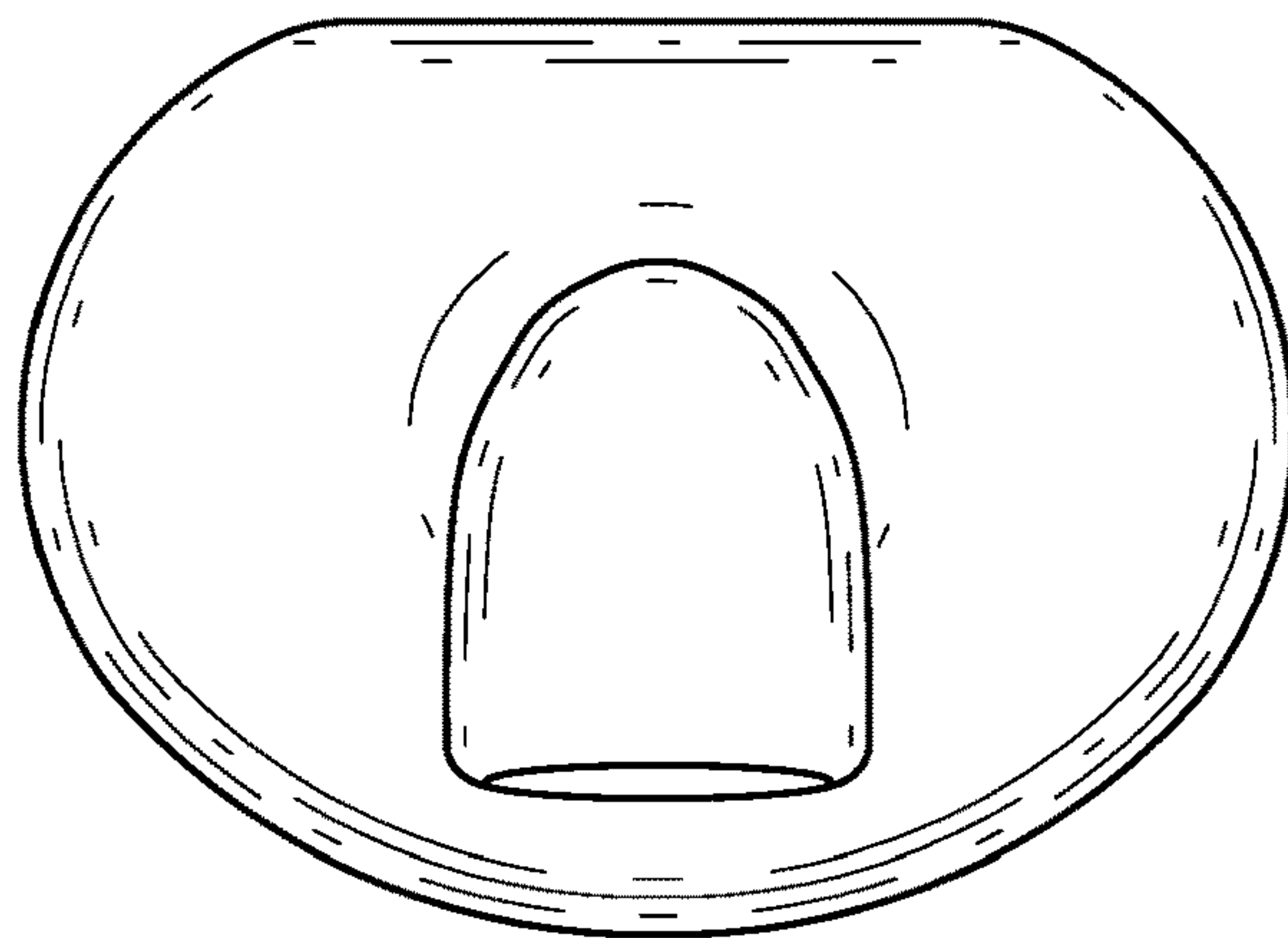


FIG. 5

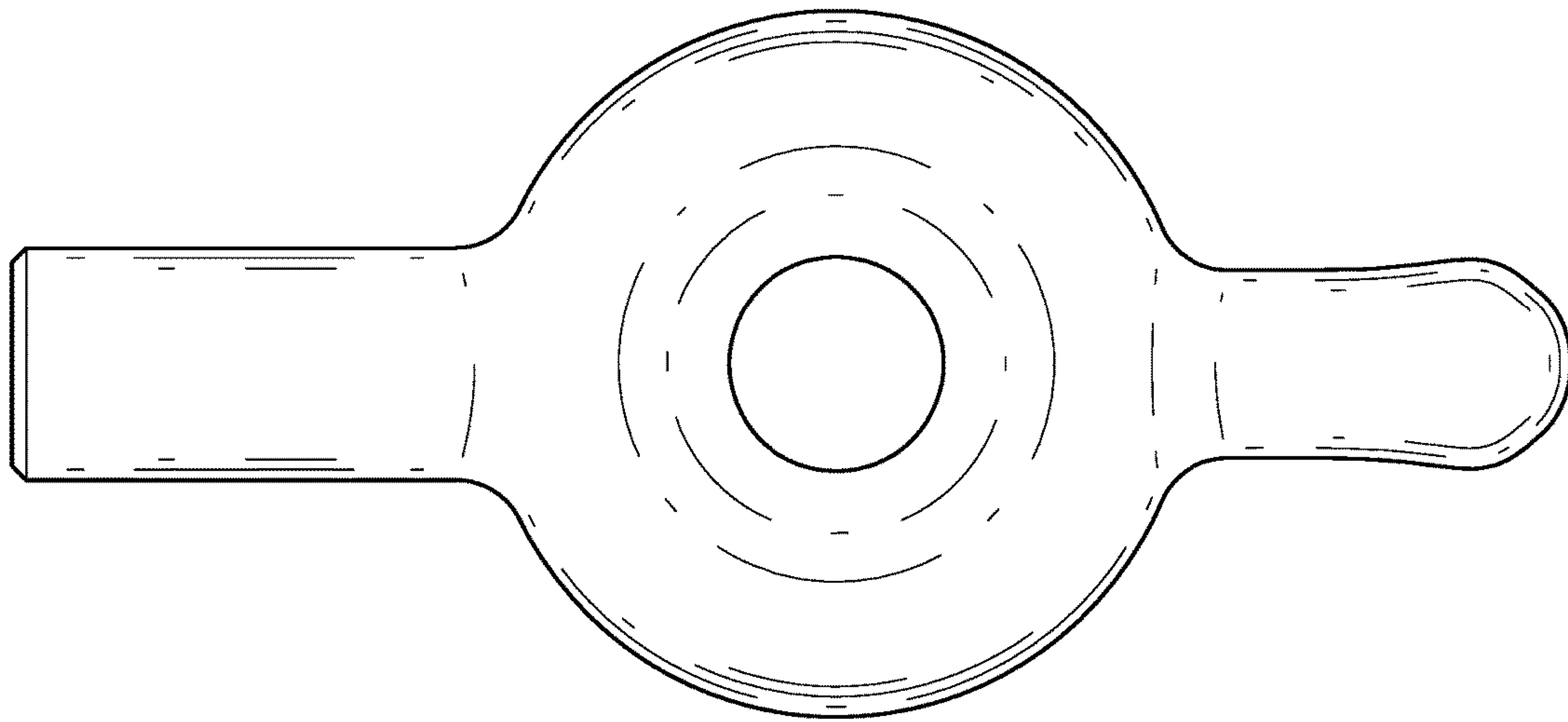


FIG. 6

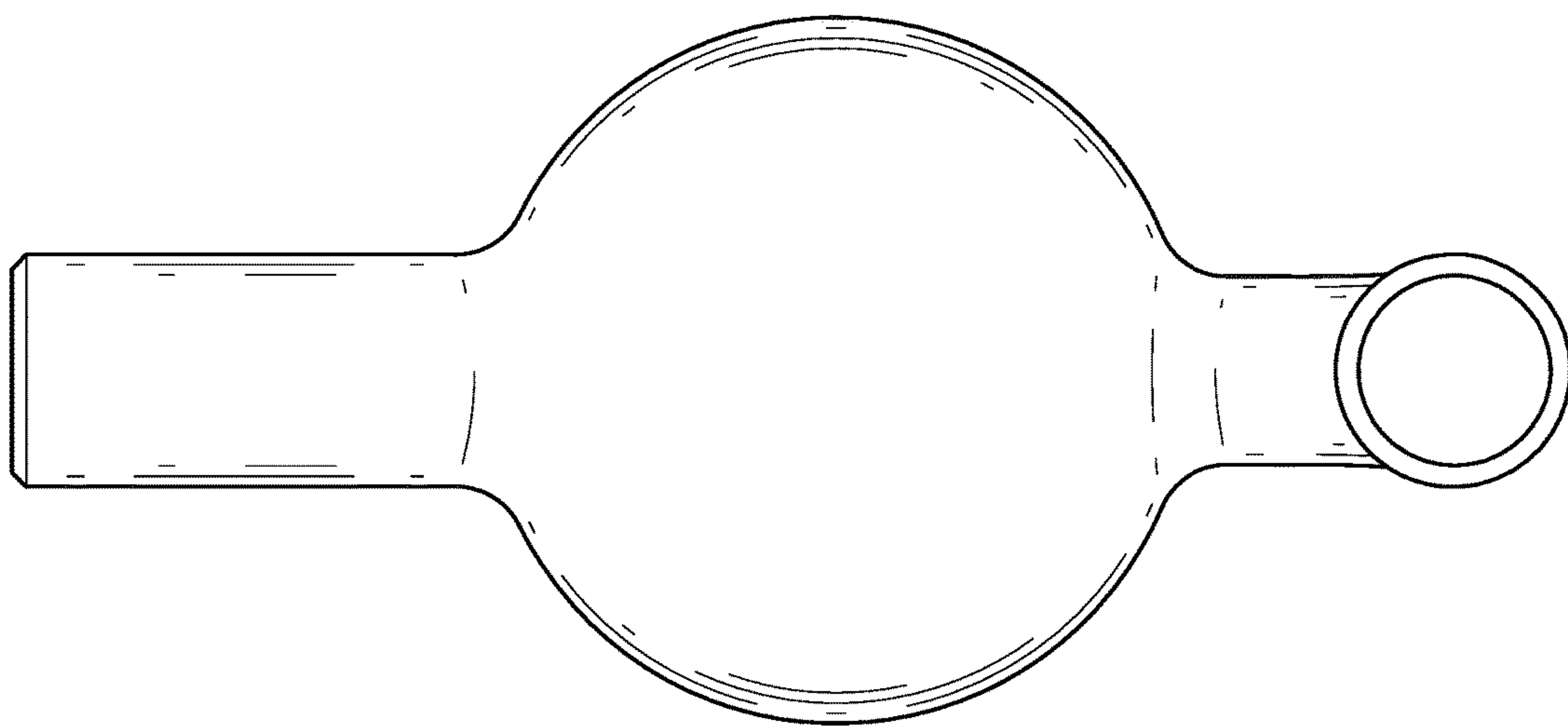


FIG. 7

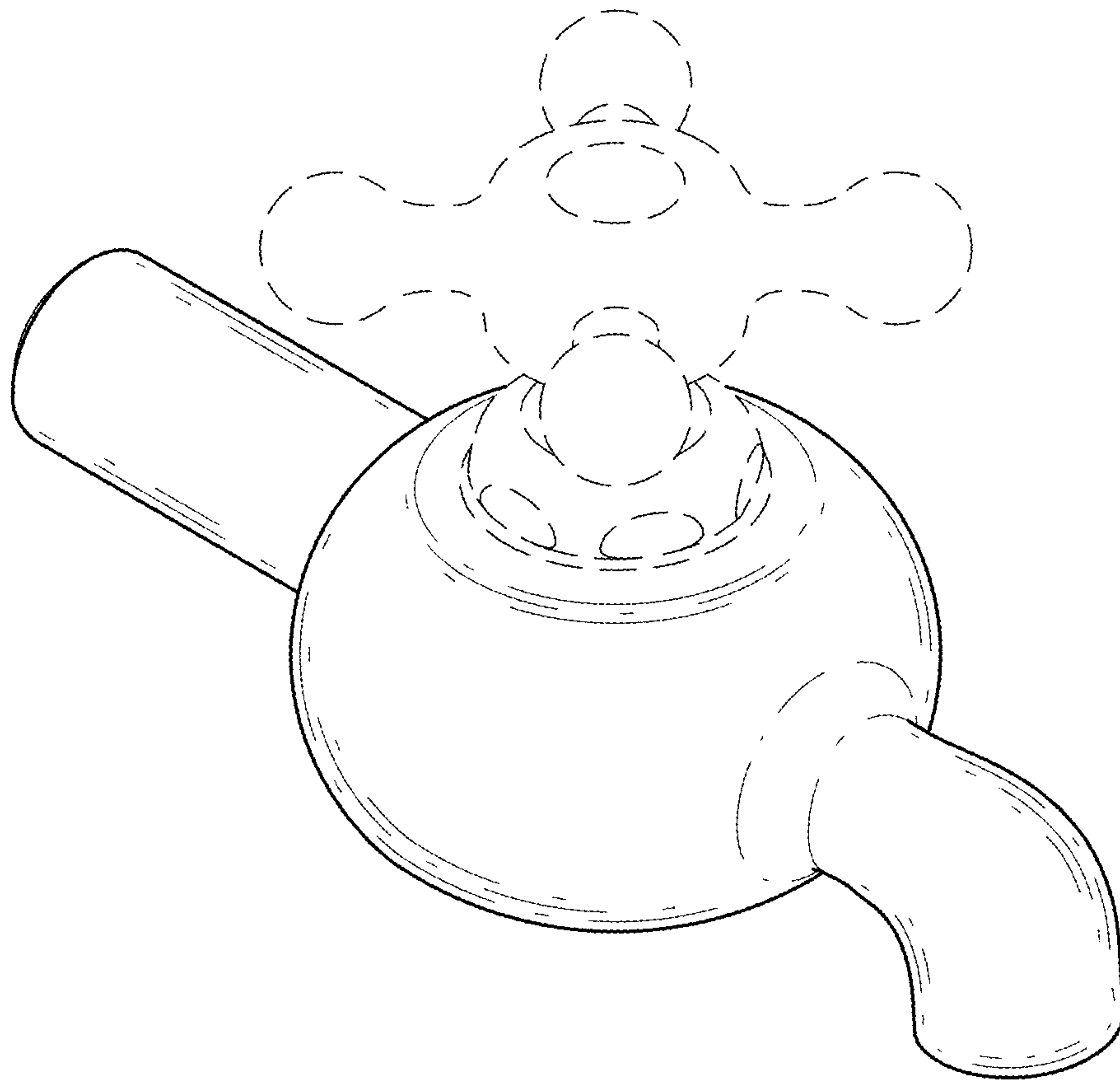


FIG. 8