



US00D816805S

(12) **United States Design Patent** (10) **Patent No.:** **US D816,805 S**
Soulier (45) **Date of Patent:** **** May 1, 2018**

(54) **FAUCET HANDLE**
(71) Applicant: **Kohler Co.**, Kohler, WI (US)
(72) Inventor: **Jean-Hugues Soulier**, Paris (FR)
(73) Assignee: **KOHLER CO.**, Kohler, WI (US)
(**) Term: **15 Years**
(21) Appl. No.: **29/585,172**

Primary Examiner — Robert A Delehanty
(74) *Attorney, Agent, or Firm* — Foley & Lardner LLP

(22) Filed: **Nov. 21, 2016**
(51) **LOC (11) Cl.** **23-01**
(52) **U.S. Cl.**
USPC **D23/253**
(58) **Field of Classification Search**
USPC D23/238–243, 249–250, 252–253, 254;
D8/300, 310
CPC . E03C 1/0412; E03C 1/0408; Y10T 137/9464
See application file for complete search history.

(57) **CLAIM**

I claim the ornamental design for a faucet handle, as shown and described.

DESCRIPTION

FIG. 1 is a top, front, right perspective view of the claimed design, according to an exemplary embodiment;
FIG. 2 is a front elevation view thereof;
FIG. 3 is a rear elevation view thereof;
FIG. 4 is a right side elevation view thereof;
FIG. 5 is a left side elevation view thereof;
FIG. 6 is a top plan view thereof;
FIG. 7 is a bottom plan view thereof;
FIG. 8 is a cross-sectional view thereof taken across line 8-8 in FIG. 6;
FIG. 9 is a cross-sectional view thereof taken across line 9-9 in FIG. 6; and,
FIG. 10 is a cross-sectional view thereof taken across line 10-10 in FIG. 7.

The ornamental design which is claimed is shown in solid lines in the drawings. The broken lines in the drawings are for illustrative purposes only and form no part of the claimed design. Broken lines formed by equal length dashes show unclaimed subject matter.

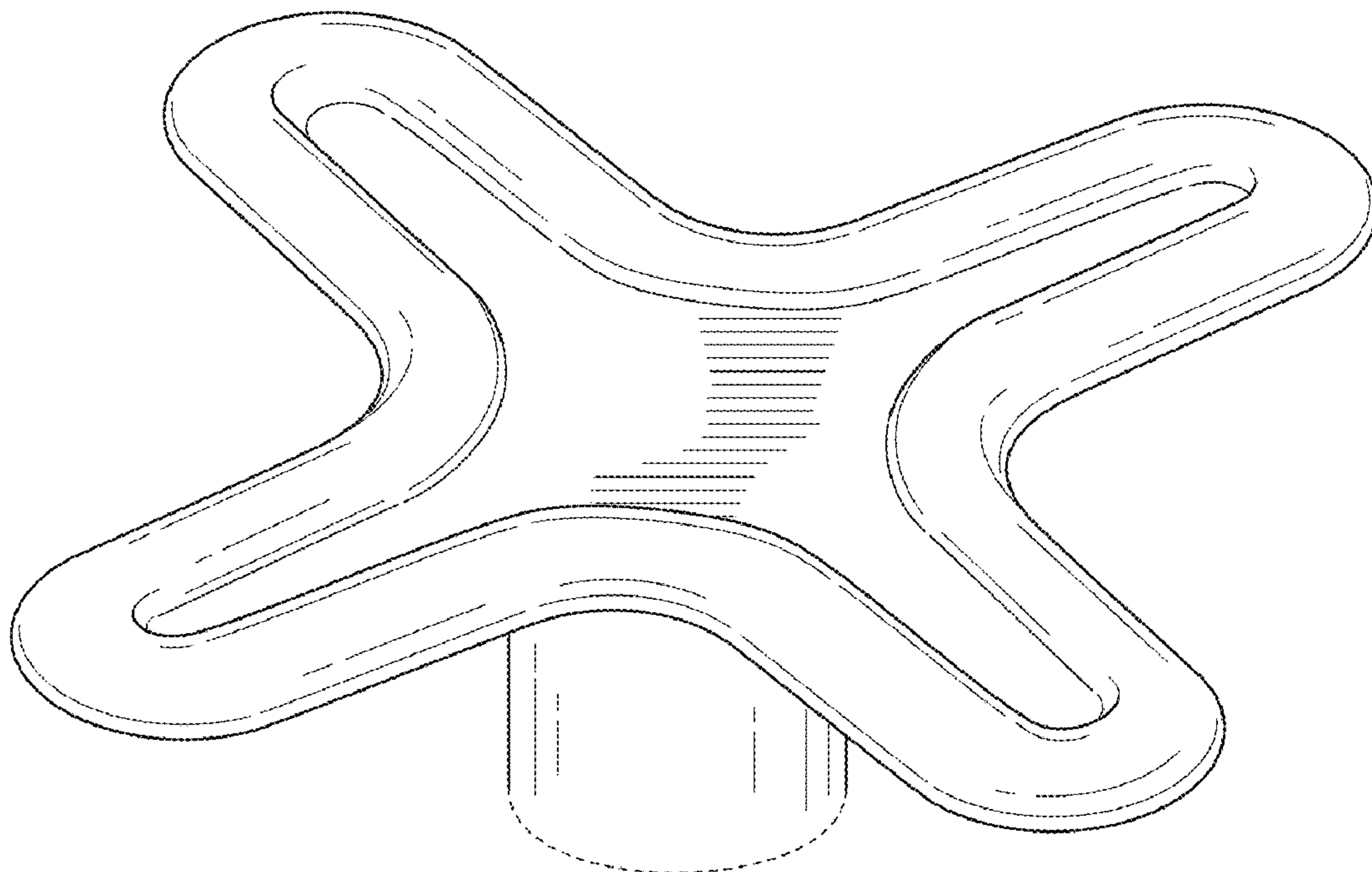
(56) **References Cited**

U.S. PATENT DOCUMENTS

D464,249 S	*	10/2002	Laabs	D8/343
D484,386 S	*	12/2003	Thomas	D8/310
D532,086 S	*	11/2006	Haug	D23/252
D534,993 S	*	1/2007	Kirar	D23/253
D545,664 S	*	7/2007	Fields	D8/310
D584,383 S		1/2009	Eilmus		
D585,529 S		1/2009	Eilmus		
D669,557 S	*	10/2012	Citterio	D23/253
D786,407 S	*	5/2017	Clarke	D23/252

* cited by examiner

1 Claim, 5 Drawing Sheets



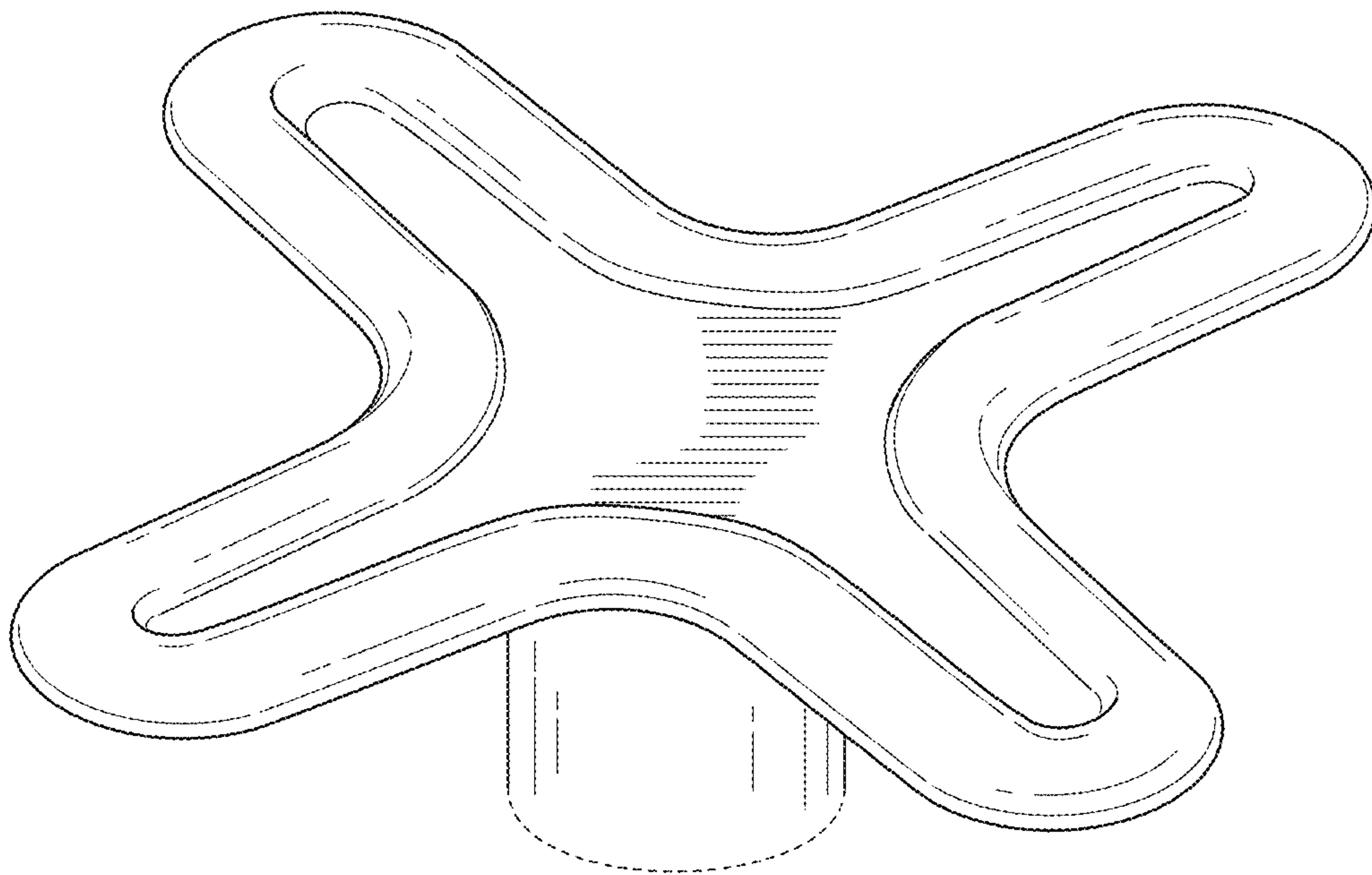


FIG. 1

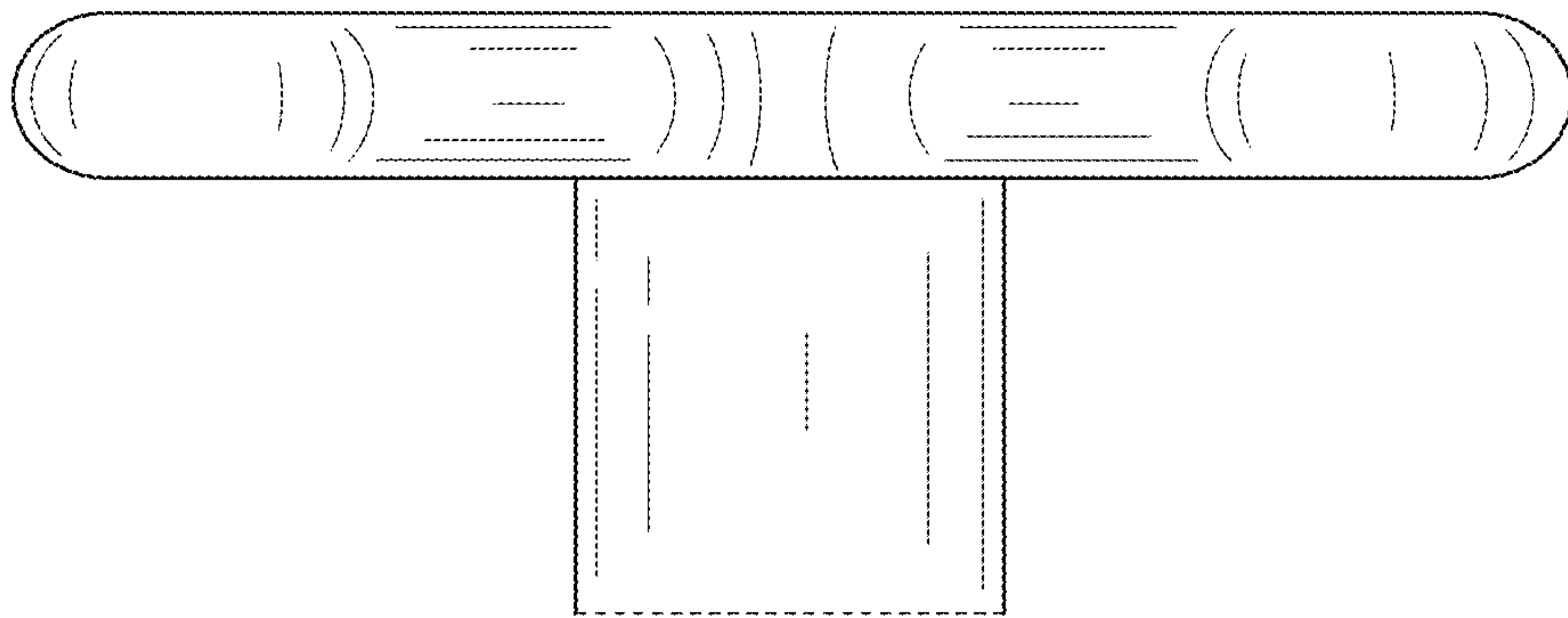


FIG. 2

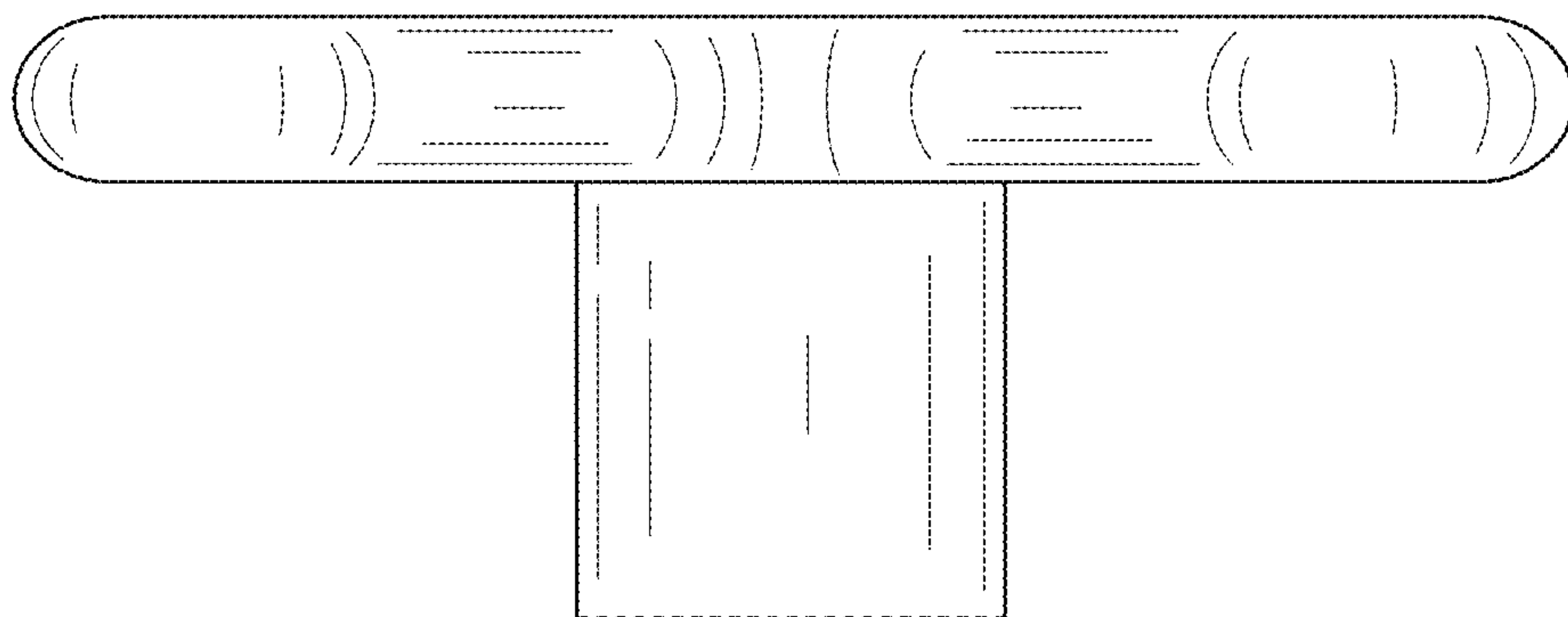


FIG. 3

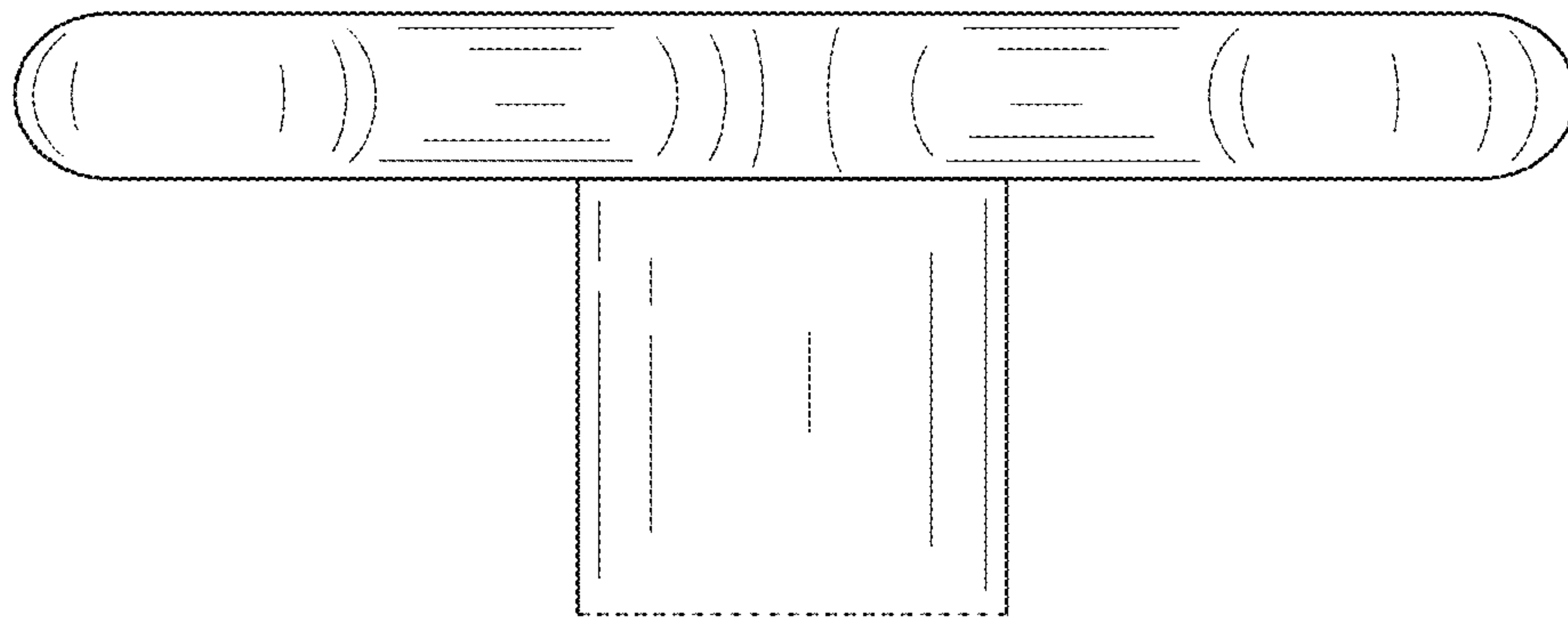


FIG. 4

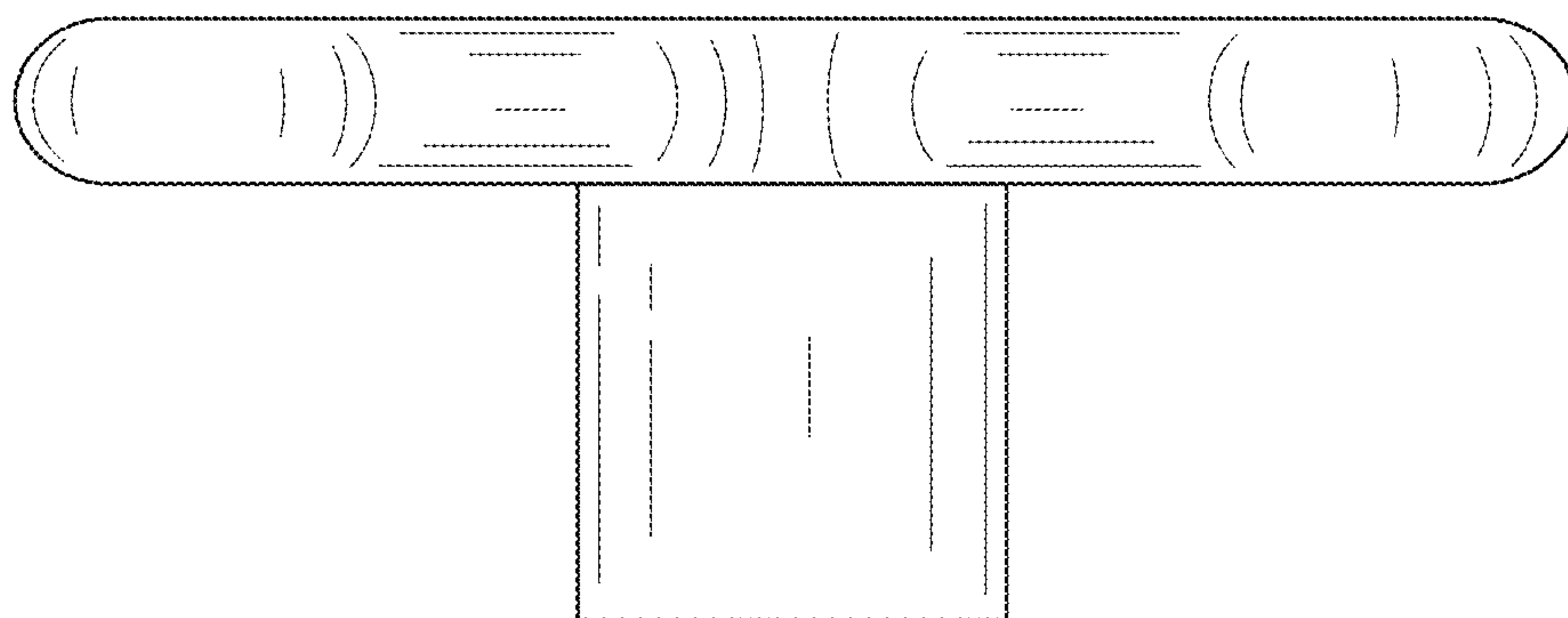


FIG. 5

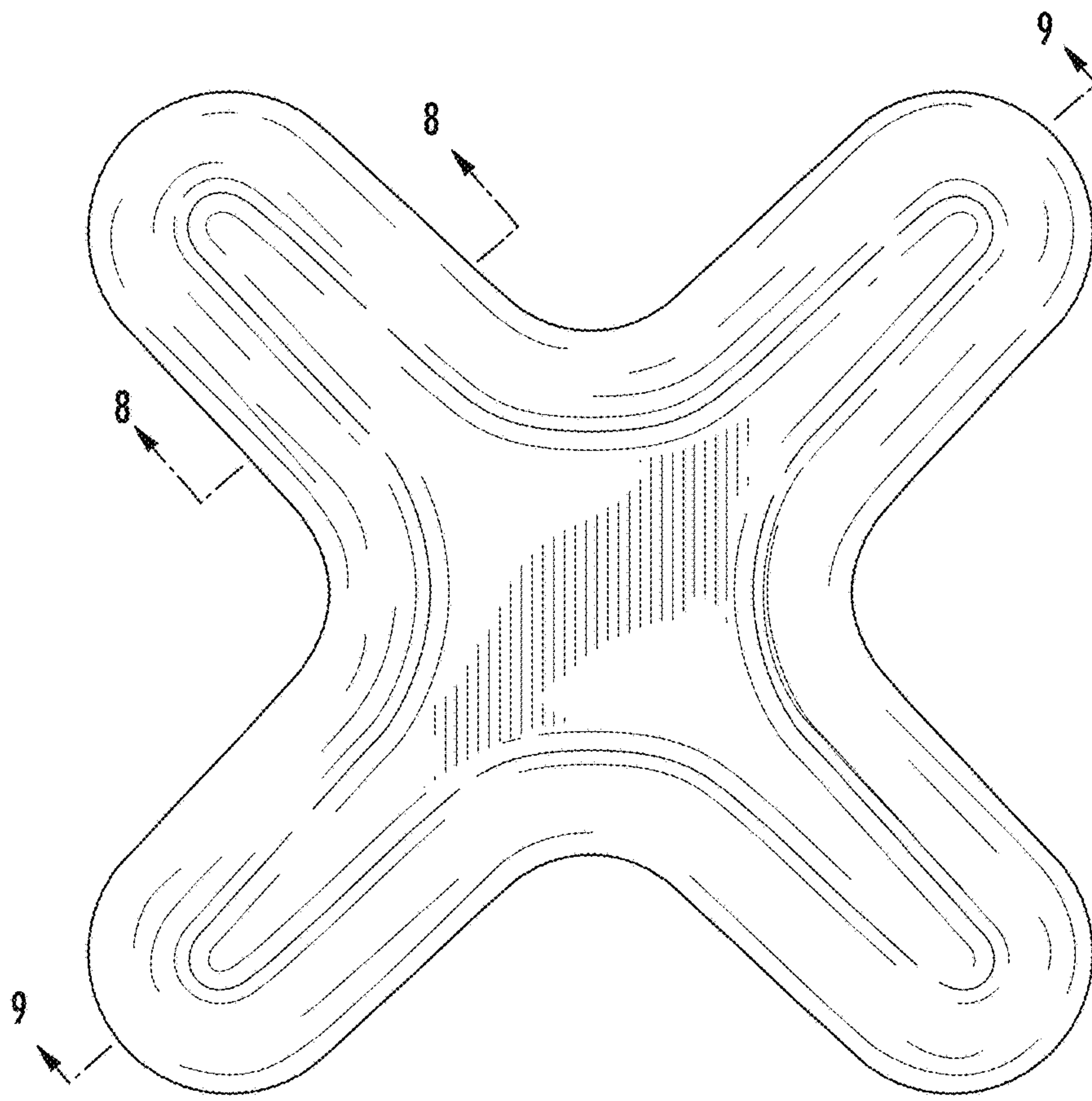


FIG. 6

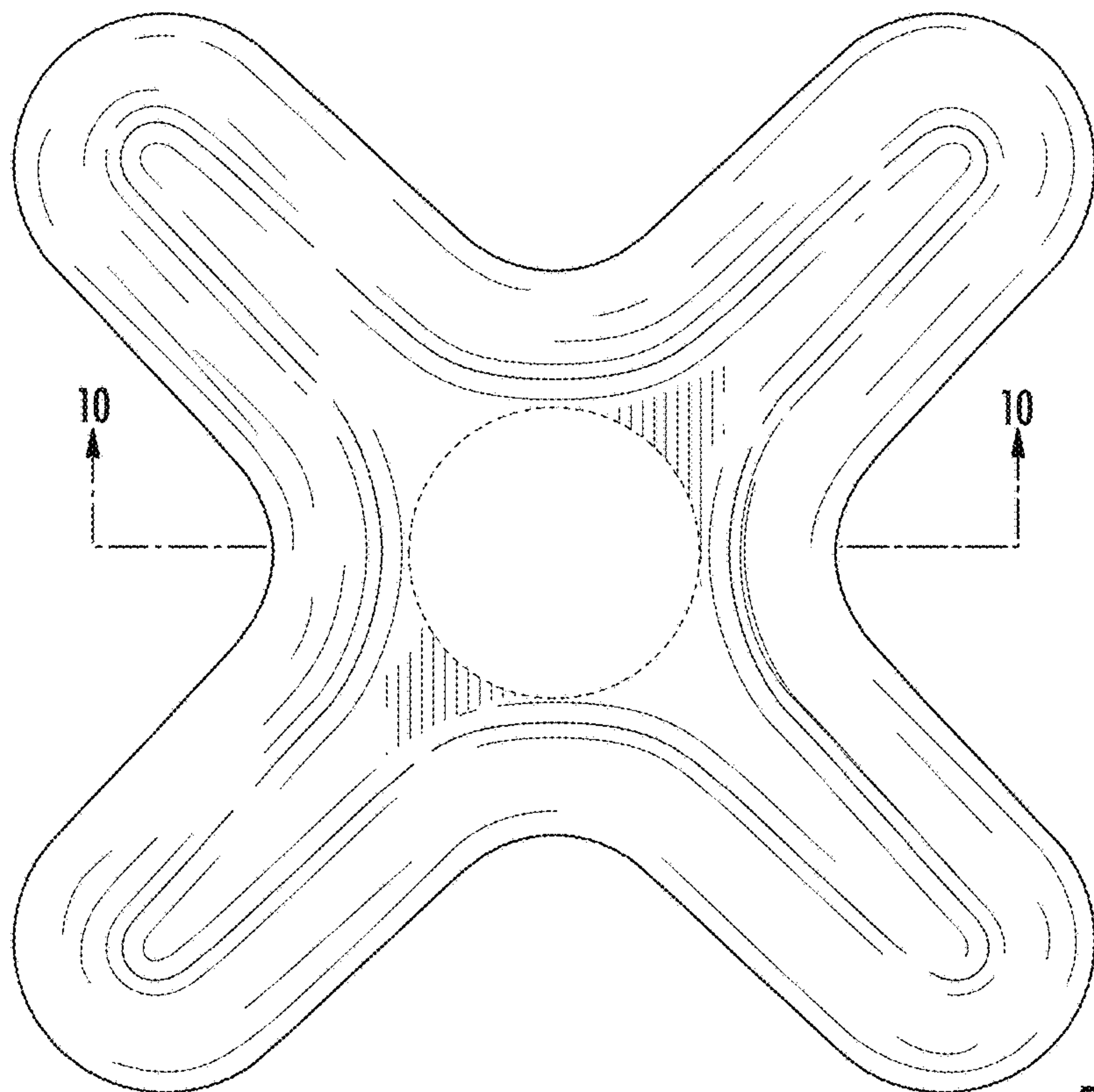


FIG. 7

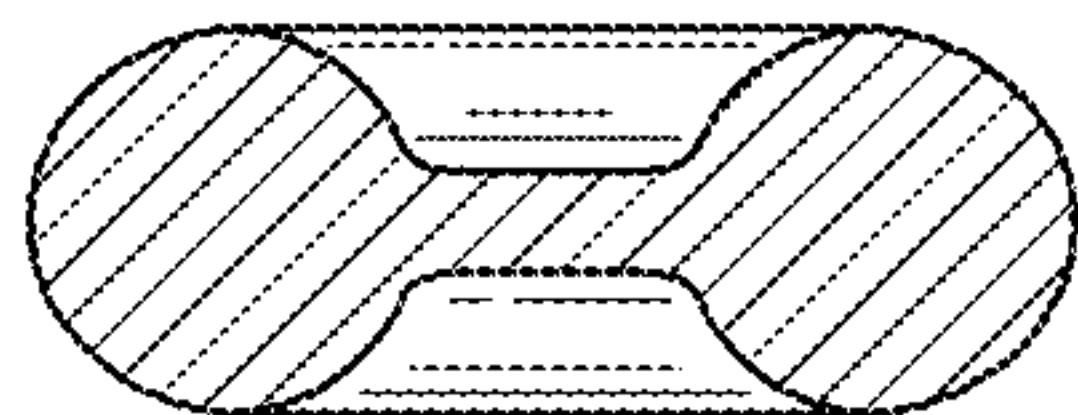


FIG. 8

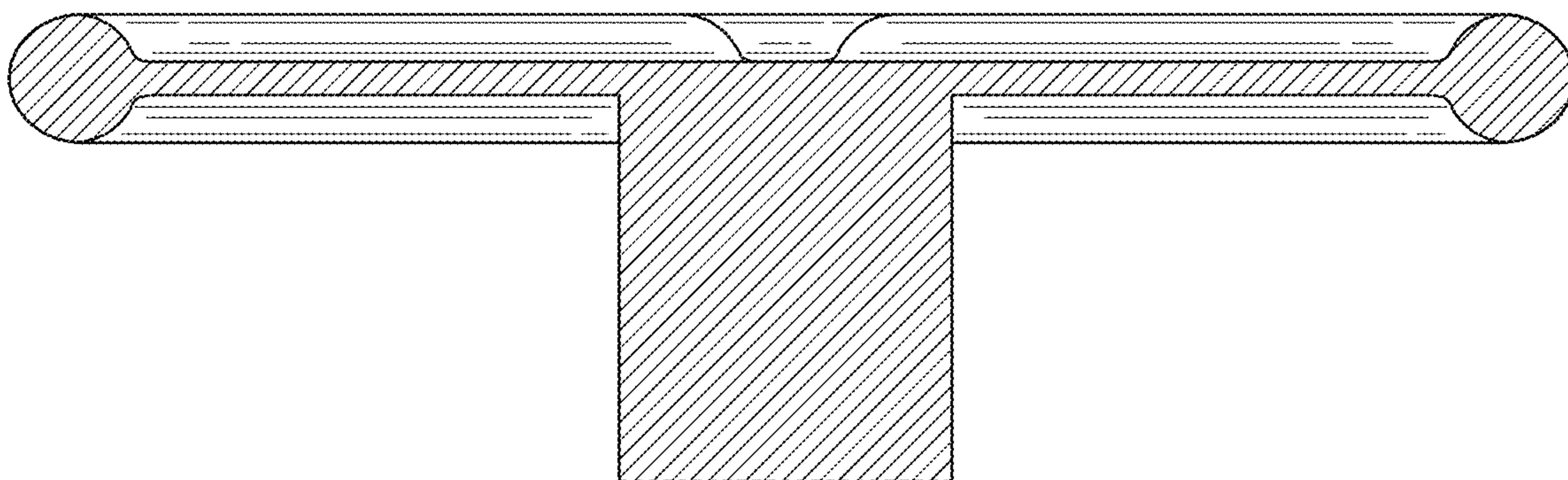


FIG. 9

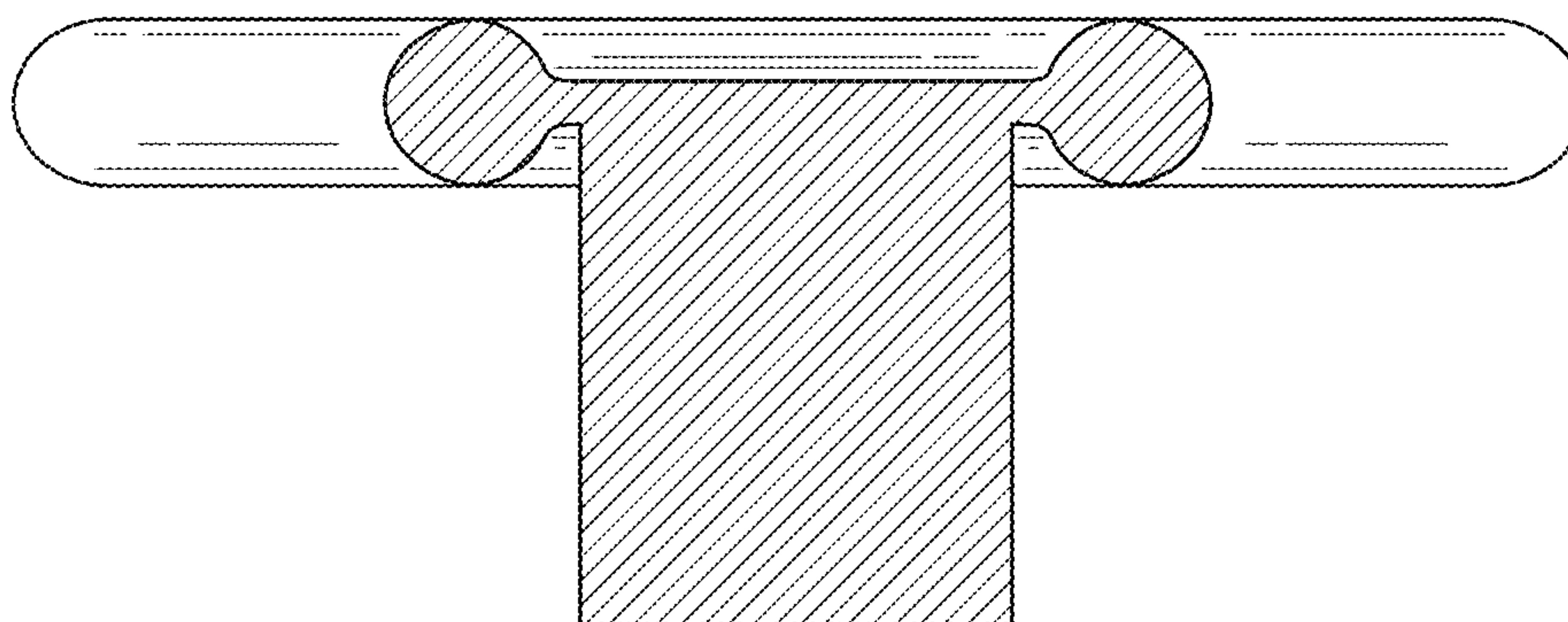


FIG. 10