



US00D816804S

(12) **United States Design Patent**  
**Chong et al.**

(10) **Patent No.:** **US D816,804 S**

(45) **Date of Patent:** **\*\* May 1, 2018**

(54) **FAUCET**

(71) Applicant: **Elkay Manufacturing Company**, Oak Brook, IL (US)

(72) Inventors: **Jonathan Chee Yeen Chong**, Chicago, IL (US); **Erik Lynch**, Downers Grove, IL (US)

(73) Assignee: **Elkay Manufacturing Company**, Oak Brook, IL (US)

(\*\*) Term: **15 Years**

(21) Appl. No.: **29/590,365**

(22) Filed: **Jan. 10, 2017**

(51) **LOC (11) Cl.** ..... **23-01**

(52) **U.S. Cl.**  
USPC ..... **D23/238**

(58) **Field of Classification Search**  
USPC ..... D23/238-243, 249-250, 252, 254-255, D23/257; D08/307-308  
CPC ..... Y10T 137/9464  
See application file for complete search history.

(56) **References Cited**

**U.S. PATENT DOCUMENTS**

D534,990 S \* 1/2007 Zhou ..... D23/238  
D543,827 S \* 6/2007 Citterio ..... D8/308

D605,260 S \* 12/2009 Allard ..... D23/255  
D661,783 S \* 6/2012 Georgeson ..... D23/252  
D665,479 S \* 8/2012 Cocks ..... D23/238  
D714,911 S \* 10/2014 Cai ..... D23/249  
D797,245 S \* 9/2017 Downey ..... D23/242  
D804,615 S \* 12/2017 Seum ..... D23/238

\* cited by examiner

*Primary Examiner* — Robert A Delehanty

(74) *Attorney, Agent, or Firm* — Leydig, Voit & Mayer, Ltd.

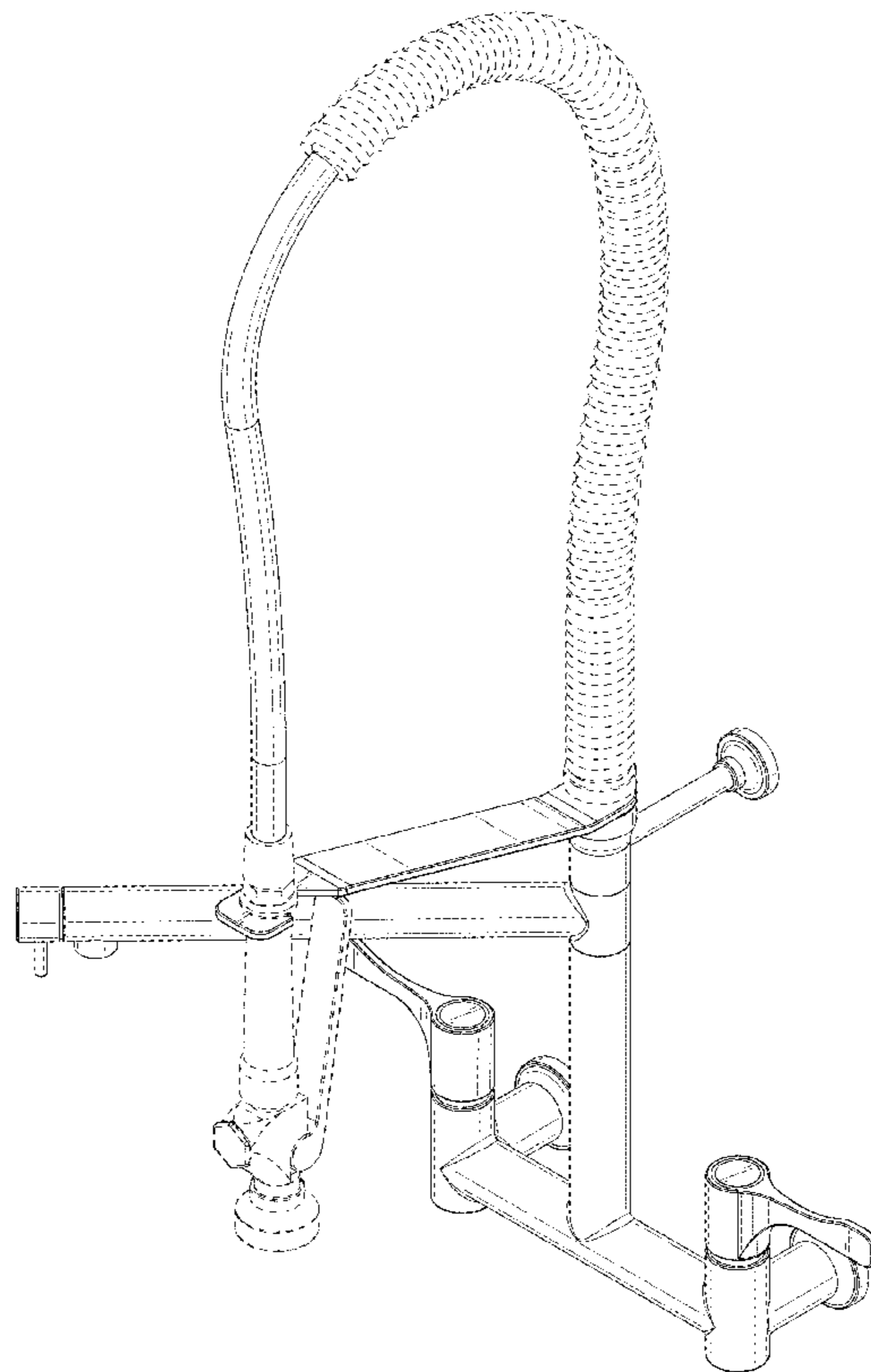
(57) **CLAIM**

The ornamental design for a faucet, as shown and described.

**DESCRIPTION**

FIG. 1 is a perspective view taken from the front, top, and right side of a faucet in accordance with our new design. FIG. 2 is a front elevation view of the faucet of FIG. 1. FIG. 3 is a rear elevation view of the faucet of FIG. 1. FIG. 4 is a right side elevation view of the faucet of FIG. 1. FIG. 5 is a left side elevation view of the faucet of FIG. 1. FIG. 6 is a top plan view of the faucet of FIG. 1; and, FIG. 7 is a bottom plan view of the faucet of FIG. 1. The broken lines shown depict portions of the faucet that form no part of the claimed design.

**1 Claim, 7 Drawing Sheets**



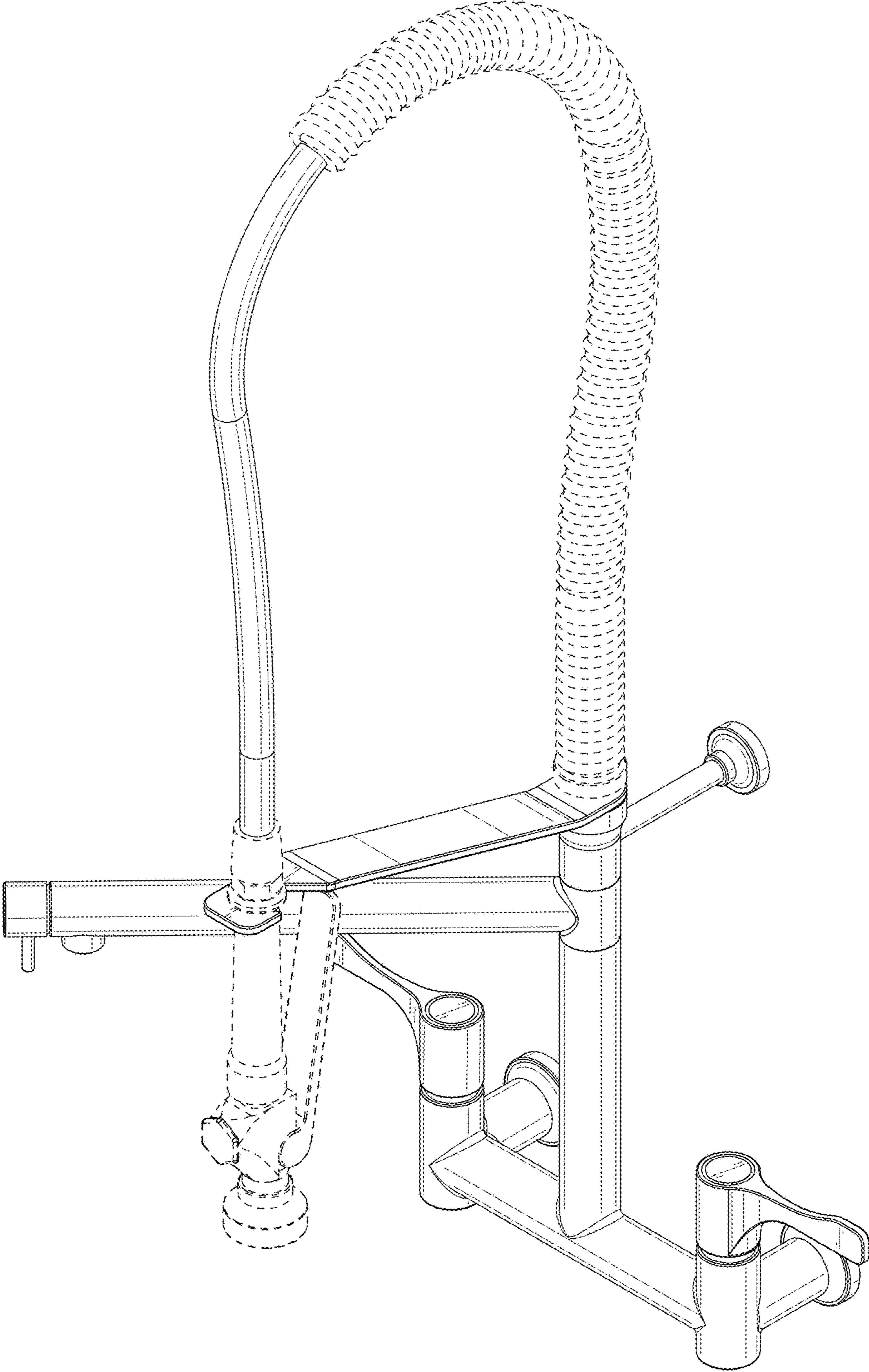


FIG. 1

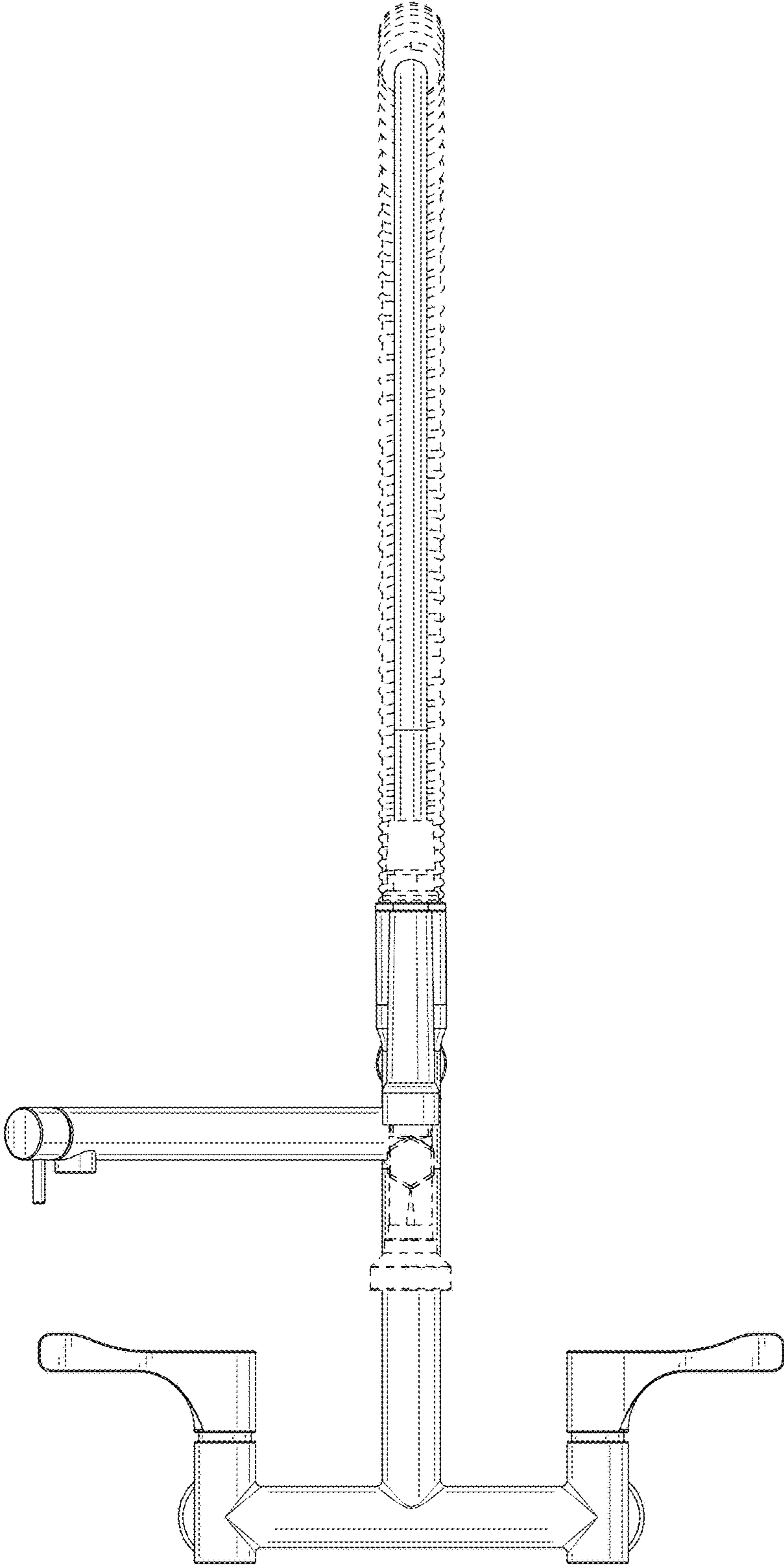


FIG. 2

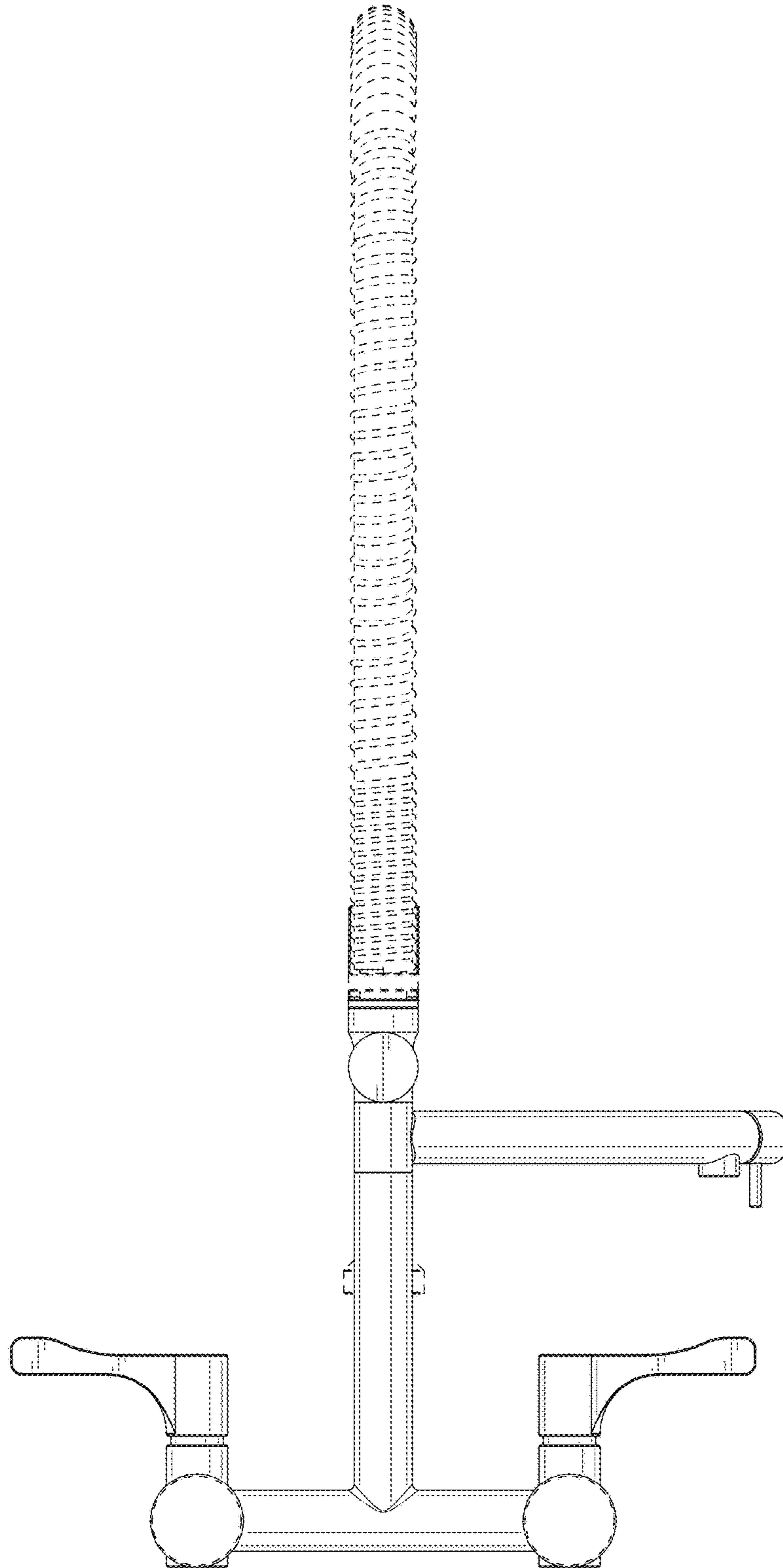


FIG. 3

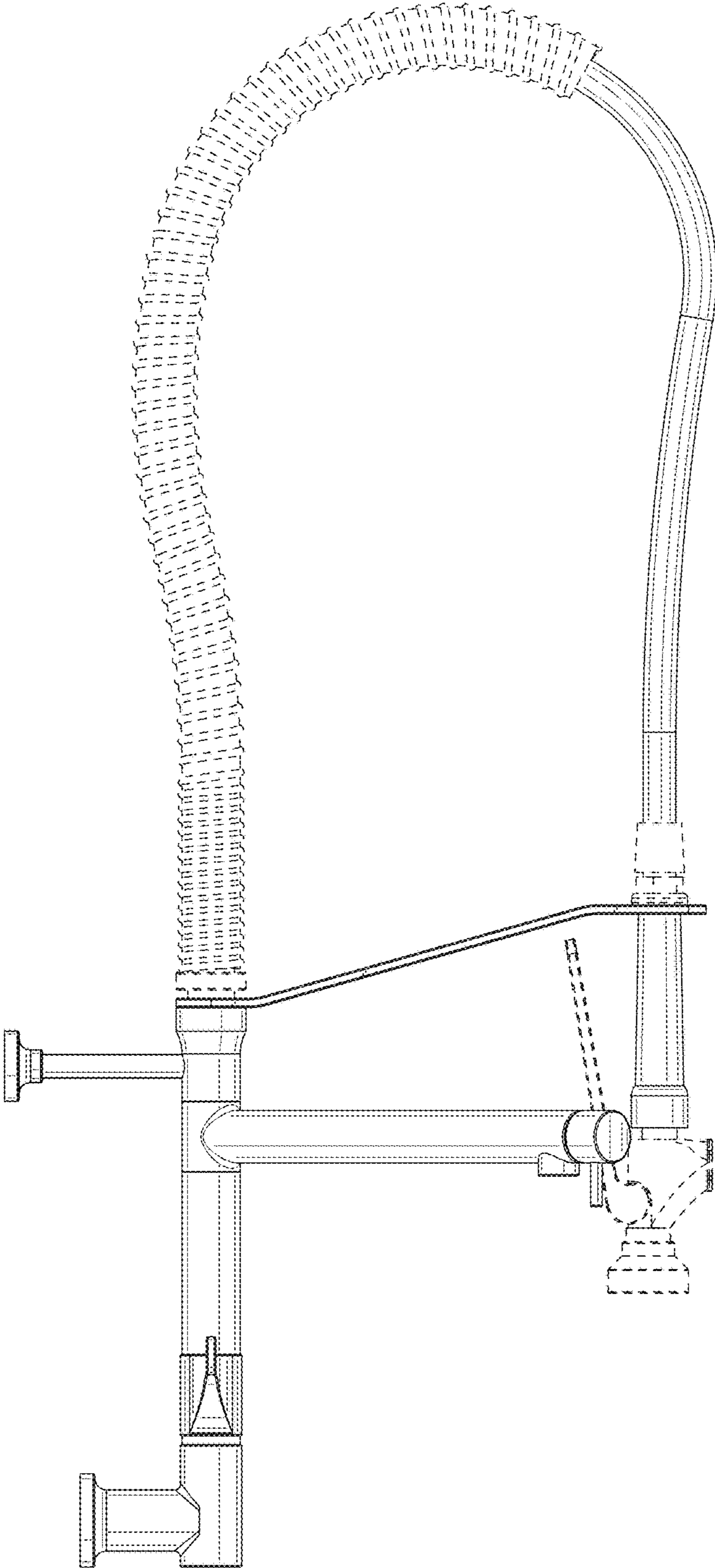


FIG. 4

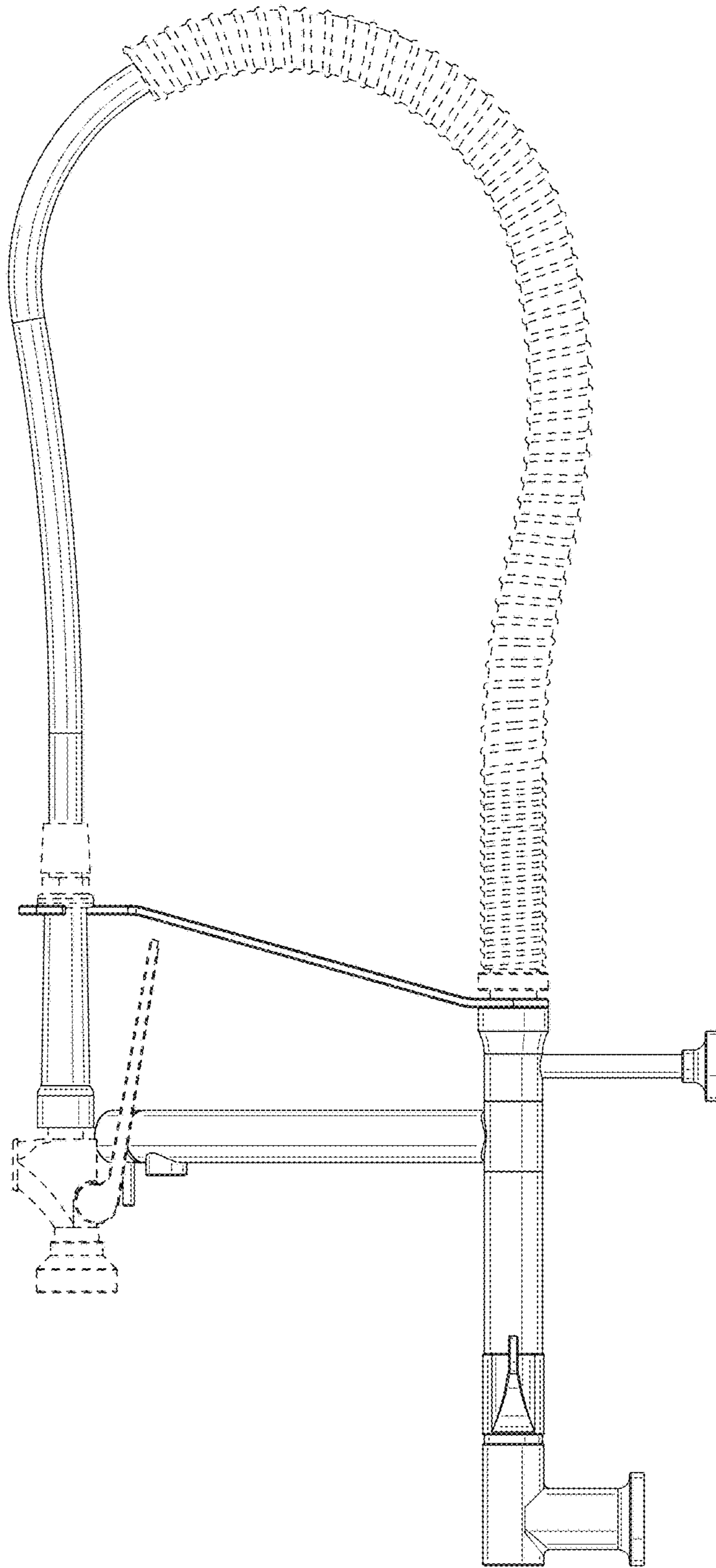


FIG. 5

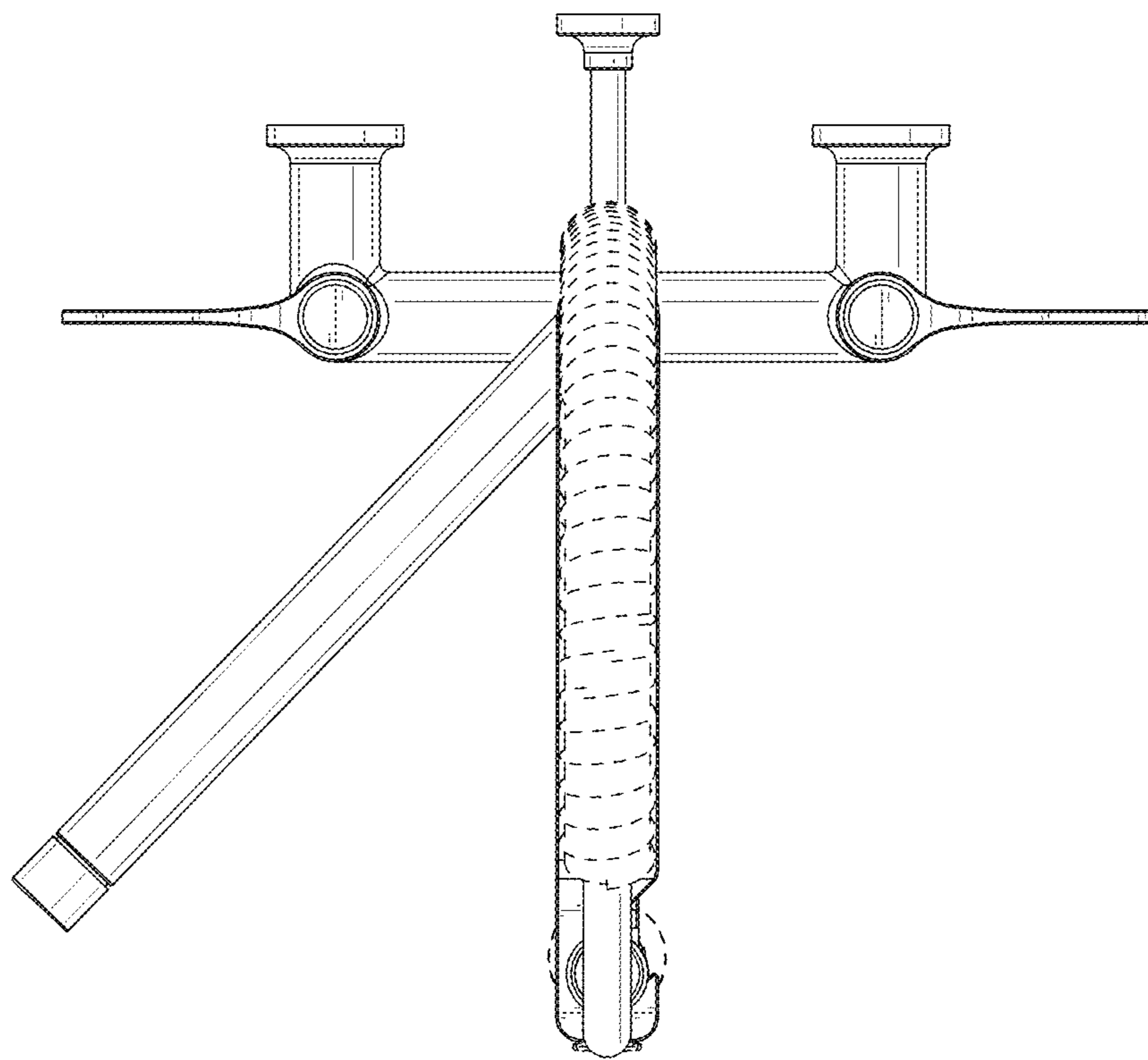


FIG. 6

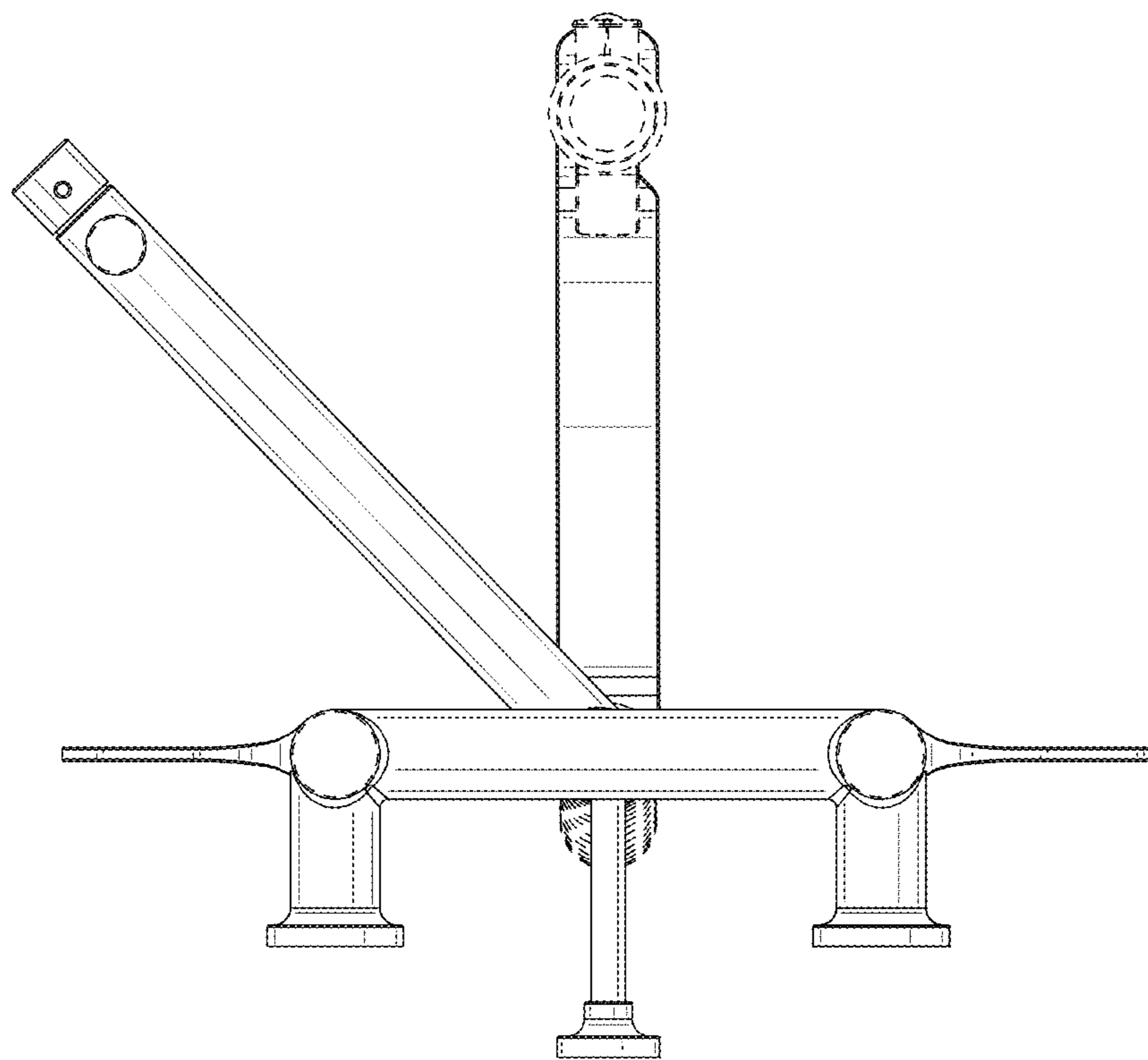


FIG. 7