



US00D816803S

(12) **United States Design Patent** (10) **Patent No.:** **US D816,803 S**  
**Ravassa et al.** (45) **Date of Patent:** **\*\* May 1, 2018**

(54) **FAUCET**

D720,432 S \* 12/2014 Hundley ..... D23/252  
D723,662 S \* 3/2015 Downey ..... D23/238  
D757,903 S \* 5/2016 Schoenherr ..... D23/238  
D762,820 S \* 8/2016 Schoenherr ..... D23/238

(71) Applicant: **AS IP Holdco, LLC**, Piscataway, NJ (US)

\* cited by examiner

(72) Inventors: **Gabriela Ravassa**, Brooklyn, NY (US);  
**Jean-Jacques L’Henaff**, New Canaan, CT (US)

*Primary Examiner* — Robert A Delehanty  
(74) *Attorney, Agent, or Firm* — Morrison & Foerster LLP

(73) Assignee: **AS IP Holdco, LLC**, Piscataway, NJ (US)

(\*\*) Term: **15 Years**

(57) **CLAIM**

(21) Appl. No.: **29/590,301**

The ornamental design for a faucet, as shown and described.

(22) Filed: **Jan. 9, 2017**

(51) **LOC (11) Cl.** ..... **23-01**

(52) **U.S. Cl.**

USPC ..... **D23/238**

(58) **Field of Classification Search**

USPC ..... D23/238–243, 249–250, 252, 254–255,  
D23/257; D8/307–308

CPC ..... Y10T 137/9464

See application file for complete search history.

(56) **References Cited**

**U.S. PATENT DOCUMENTS**

D636,851 S \* 4/2011 Yu ..... D23/238

D685,064 S \* 6/2013 Yang ..... D23/252

**DESCRIPTION**

FIG. 1 is a front and right side perspective view of a faucet showing the new design;

FIG. 2 is a front elevational view thereof;

FIG. 3 is a rear elevational view thereof;

FIG. 4 is a left side elevational view thereof;

FIG. 5 is a right side elevational view thereof;

FIG. 6 is atop plan view thereof; and,

FIG. 7 is a bottom plan view thereof.

The features shown in broken lines form no part of the claimed design.

**1 Claim, 4 Drawing Sheets**

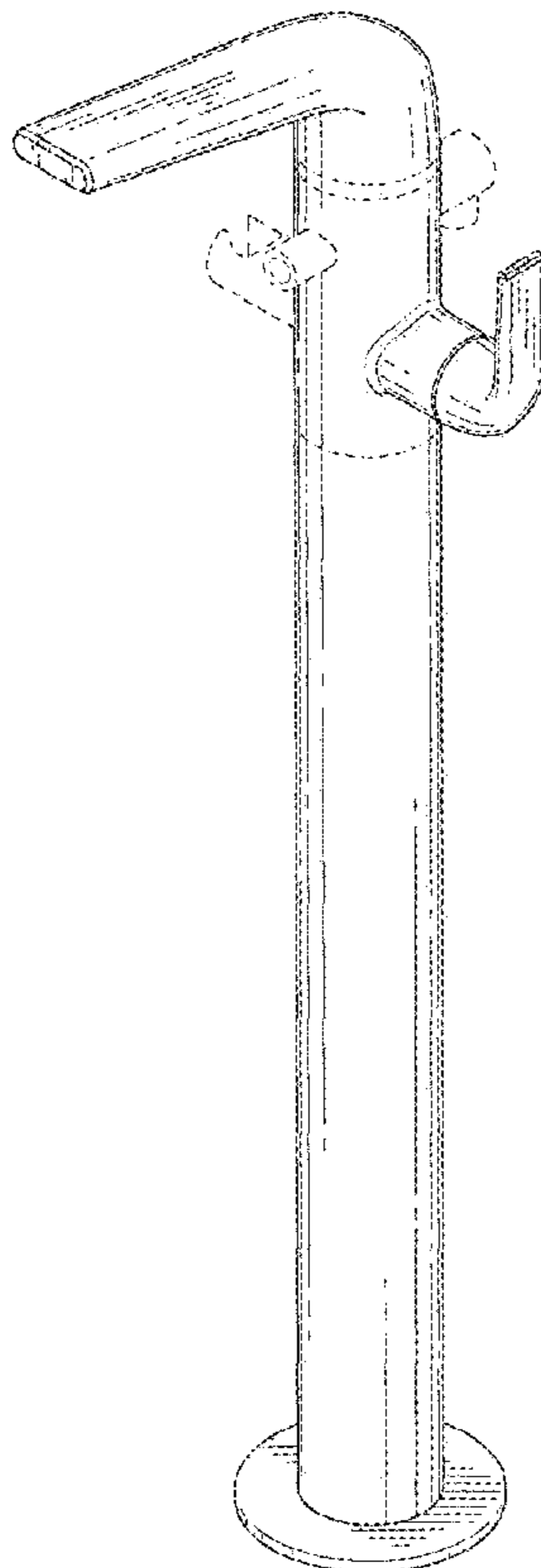


FIG. 1

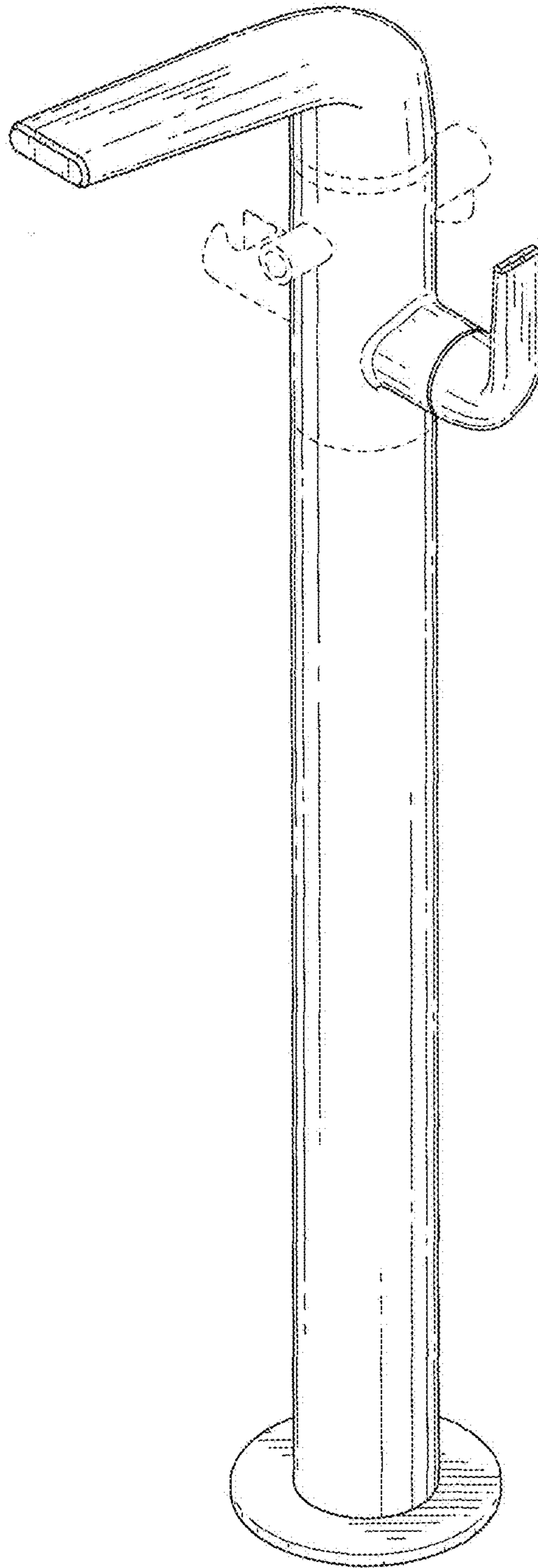


FIG. 2

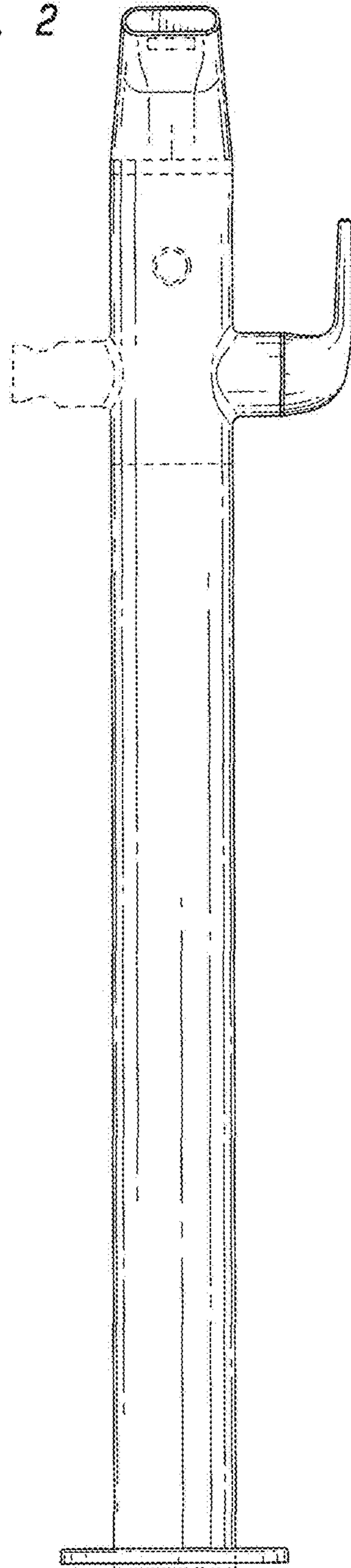


FIG. 3

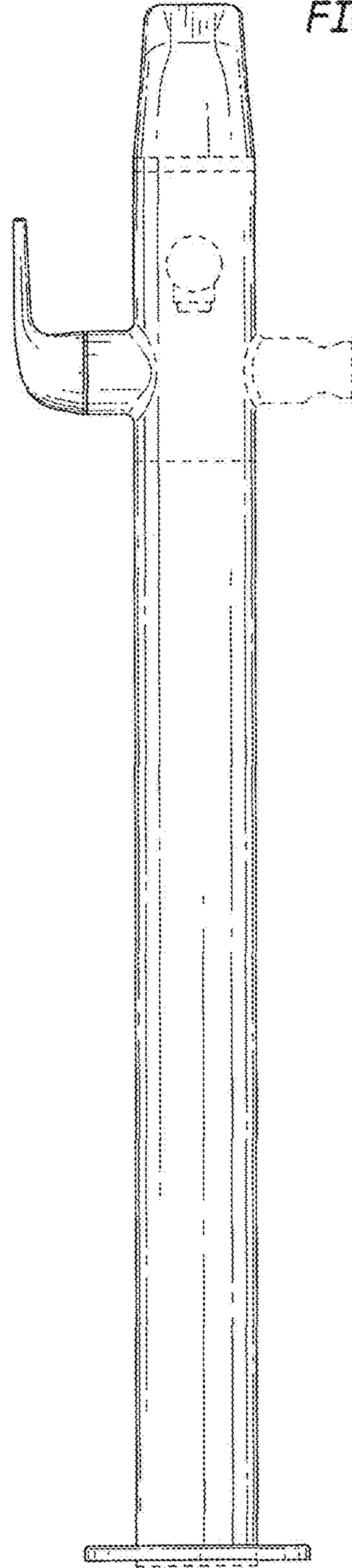


FIG. 4

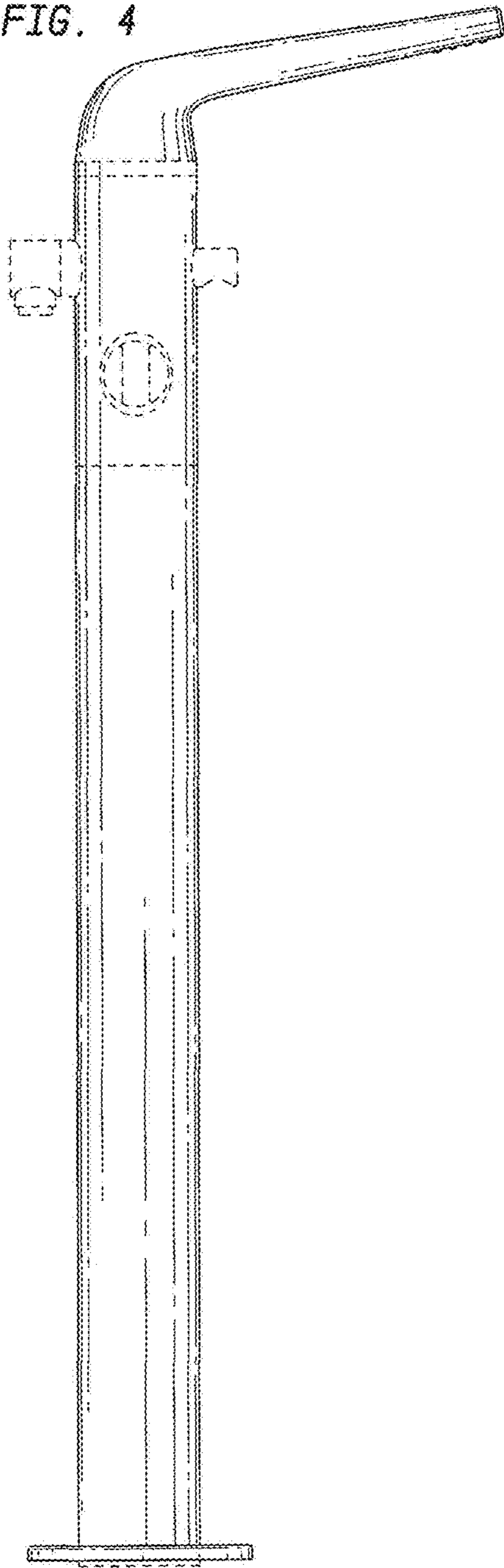


FIG. 5

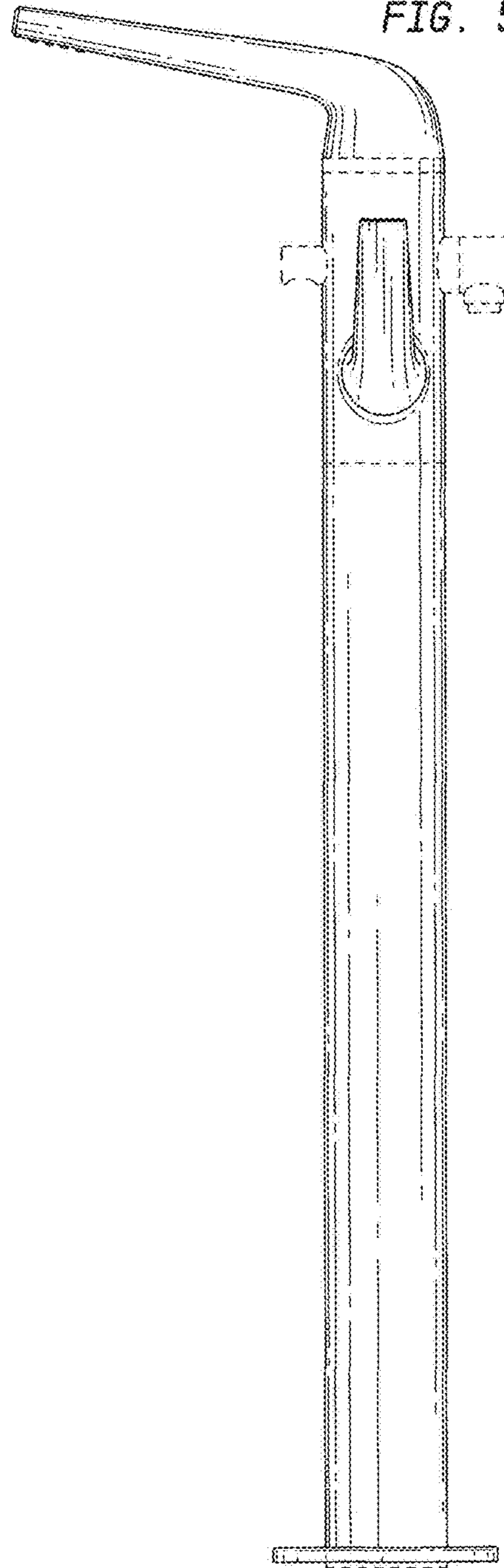


FIG. 6

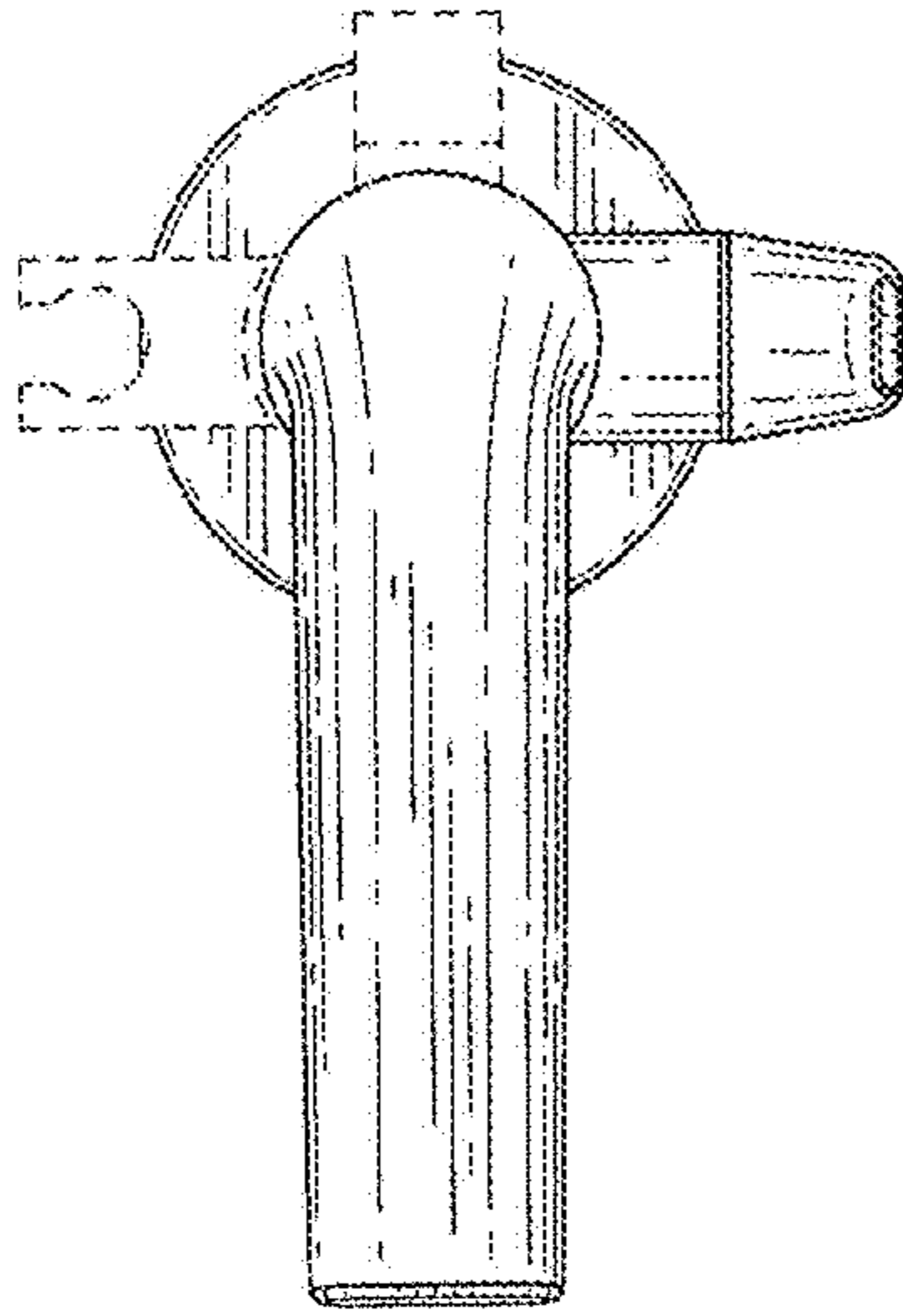


FIG. 7

