



US00D816800S

(12) **United States Design Patent**
Tarter Garro

(10) **Patent No.: US D816,800 S**
(45) **Date of Patent: ** *May 1, 2018**

- (54) **SPRAY GUN CARTRIDGE**
- (71) Applicant: **BOSSAUTO INNOVA, S.A.**, La Roca del Valles, Barcelona (ES)
- (72) Inventor: **Manuel Tarter Garro**, Vilassar de Dalt (ES)
- (73) Assignee: **BOSSAUTO INNOVA, S.A.**, La Roca del Valles (Barcelona) (ES)
- (*) Notice: This patent is subject to a terminal disclaimer.
- (**) Term: **15 Years**
- (21) Appl. No.: **29/561,184**
- (22) Filed: **Apr. 14, 2016**
- (51) **LOC (11) Cl. 23-01**
- (52) **U.S. Cl.**
USPC **D23/225**
- (58) **Field of Classification Search**
USPC D23/213, 223, 225, 226; 239/346
CPC B05B 7/2408; B05B 7/241; B05B 7/1413
See application file for complete search history.

- 2006/0113409 A1* 6/2006 Camilleri B05B 7/2478
239/600
- 2006/0196891 A1* 9/2006 Gerson B05B 7/2408
222/386.5
- 2007/0158349 A1* 7/2007 Schmon B05B 7/2478
220/221
- 2008/0272213 A1* 11/2008 Ting B05B 7/0815
239/461

(Continued)

Primary Examiner — Rovin V Webster
(74) *Attorney, Agent, or Firm* — Dowell & Dowell, P.C.

(57) **CLAIM**

The ornamental design for spray gun cartridge, as shown and described.

DESCRIPTION

FIG. 1 is a bottom view of a spray gun cartridge;
 FIG. 2 is a right perspective view of the spray gun cartridge of FIG. 1, with the left perspective view being a mirror image of the right perspective view;
 FIG. 3 is a right side view of the spray gun cartridge of FIG. 1, with the left side view being a mirror image of the right side view;
 FIG. 4 is a front side view of the spray gun cartridge of FIG. 1, with the rear side view being a mirror image of the front side view;
 FIG. 5 is an top view of the spray gun cartridge of FIG. 1;
 FIG. 6 is a front side exploded view of the spray gun cartridge of FIG. 1, with the rear side exploded view being a mirror image of the front side exploded view; and,
 FIG. 7 is a right side exploded perspective view of the spray gun cartridge of FIG. 1, with the left side exploded perspective view being a mirror image of the right side exploded perspective view.

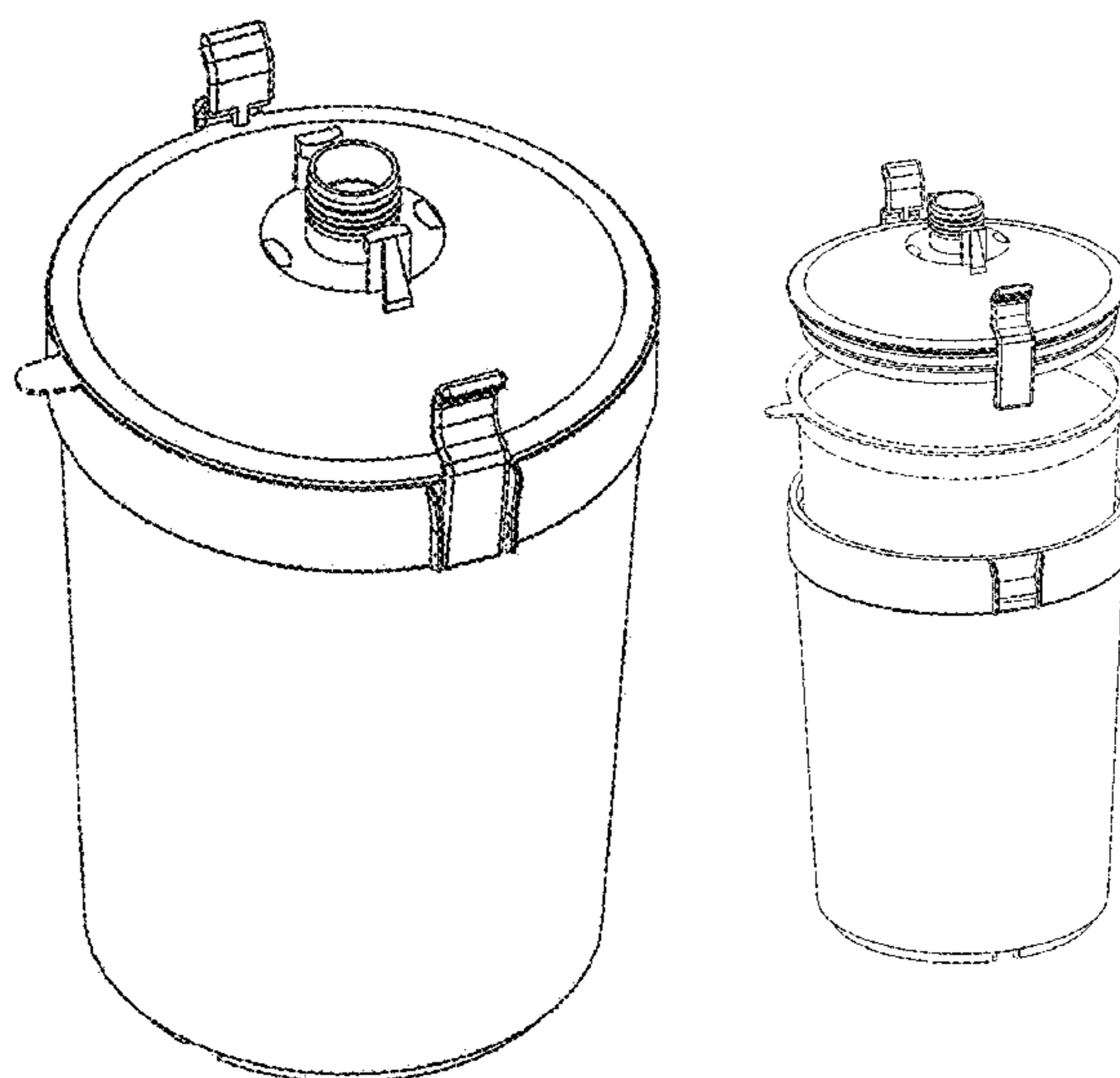
The purpose of broken lines in the drawings is to show the spacial relationship between the spray gun cartridge and the inner vase. The portion of the drawings shown in broken lines forms no part of the design to be patented.

(56) **References Cited**

U.S. PATENT DOCUMENTS

- 6,092,740 A * 7/2000 Liu B05B 7/2408
239/346
- D574,926 S * 8/2008 Huang D23/225
- 8,127,963 B2 * 3/2012 Gerson B05B 7/2408
220/495.02
- D692,530 S * 10/2013 Gehrung D23/225
- D697,583 S * 1/2014 Schmon D23/225
- D698,008 S * 1/2014 Schmon D23/225
- D704,300 S * 5/2014 Li D23/225
- 9,492,799 B1 * 11/2016 Villasenor B01F 7/00208
- 2004/0046051 A1 * 3/2004 Santa Cruz B01F 13/1055
239/303

1 Claim, 7 Drawing Sheets



(56)

References Cited

U.S. PATENT DOCUMENTS

2011/0174901 A1 * 7/2011 Dettlaff B05B 7/2478
239/345

* cited by examiner

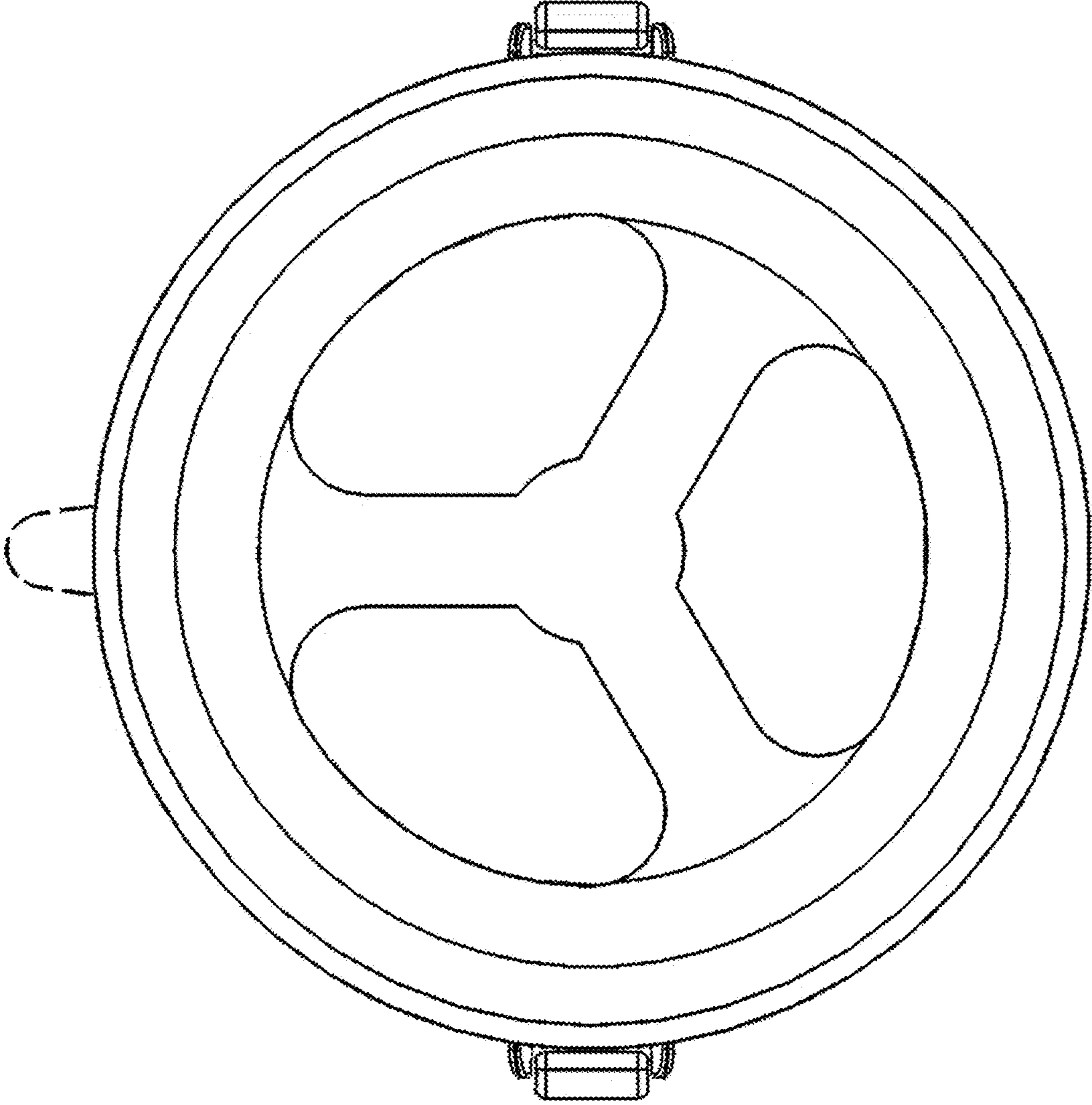


Fig. 1

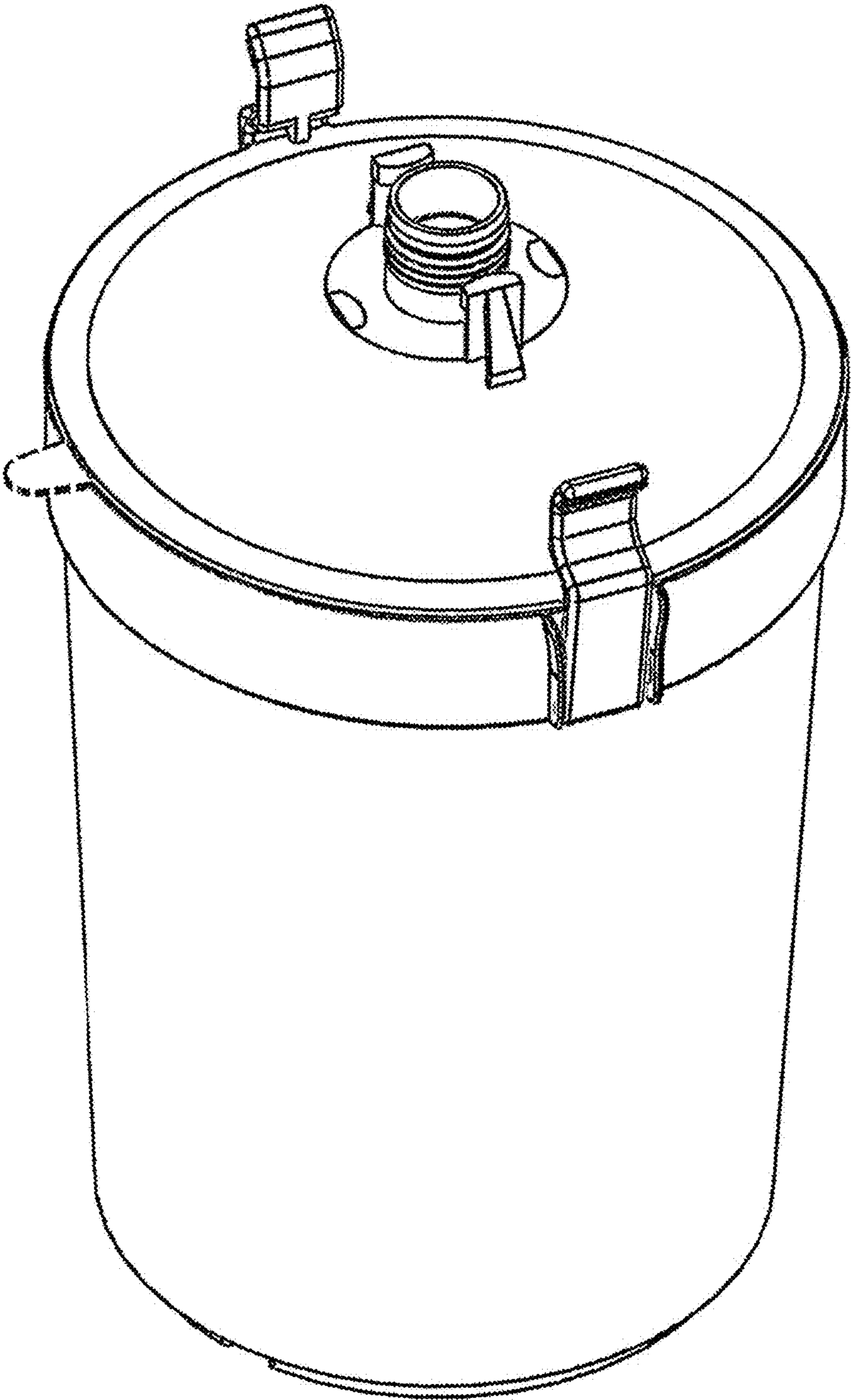


Fig. 2

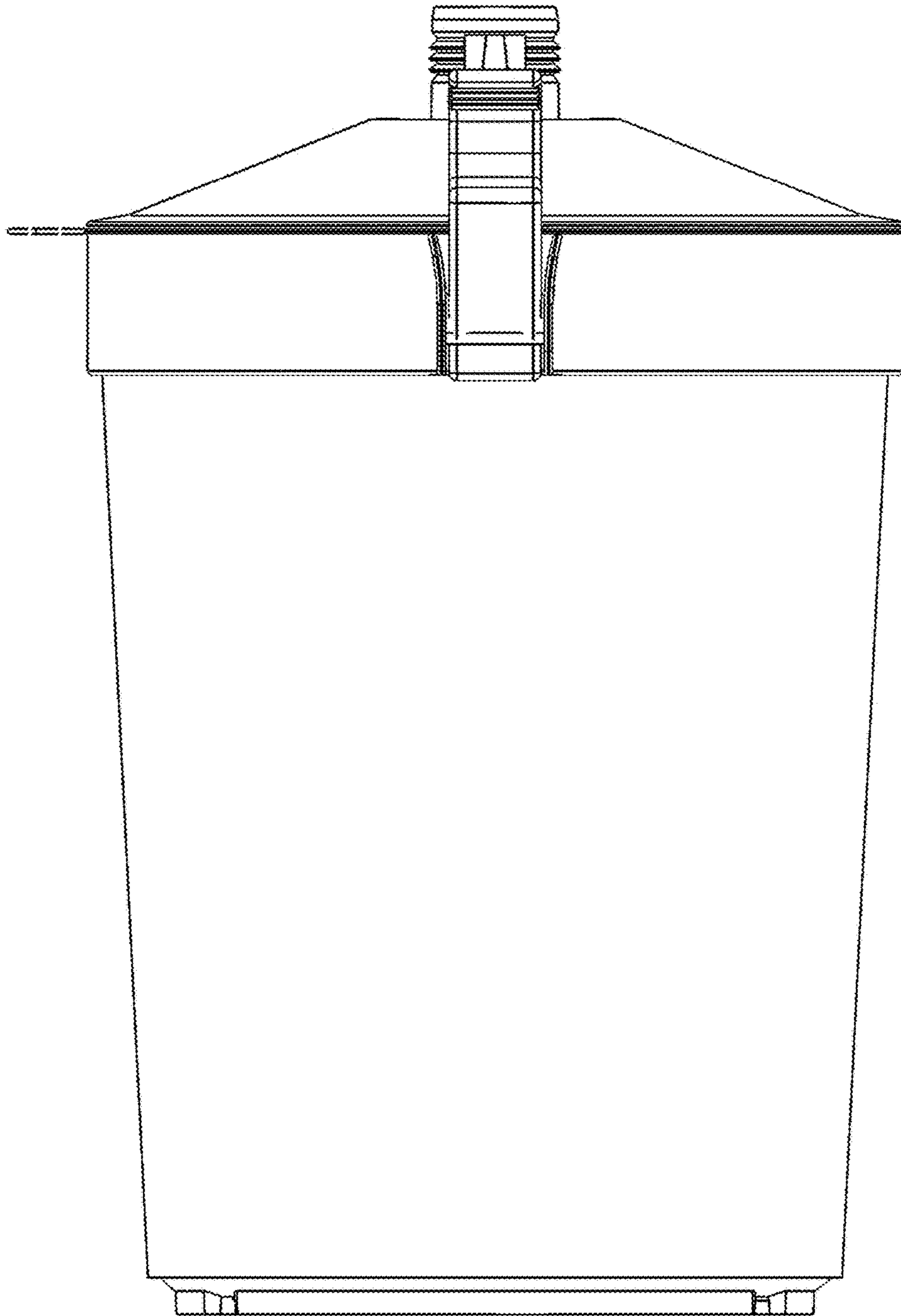


Fig. 3

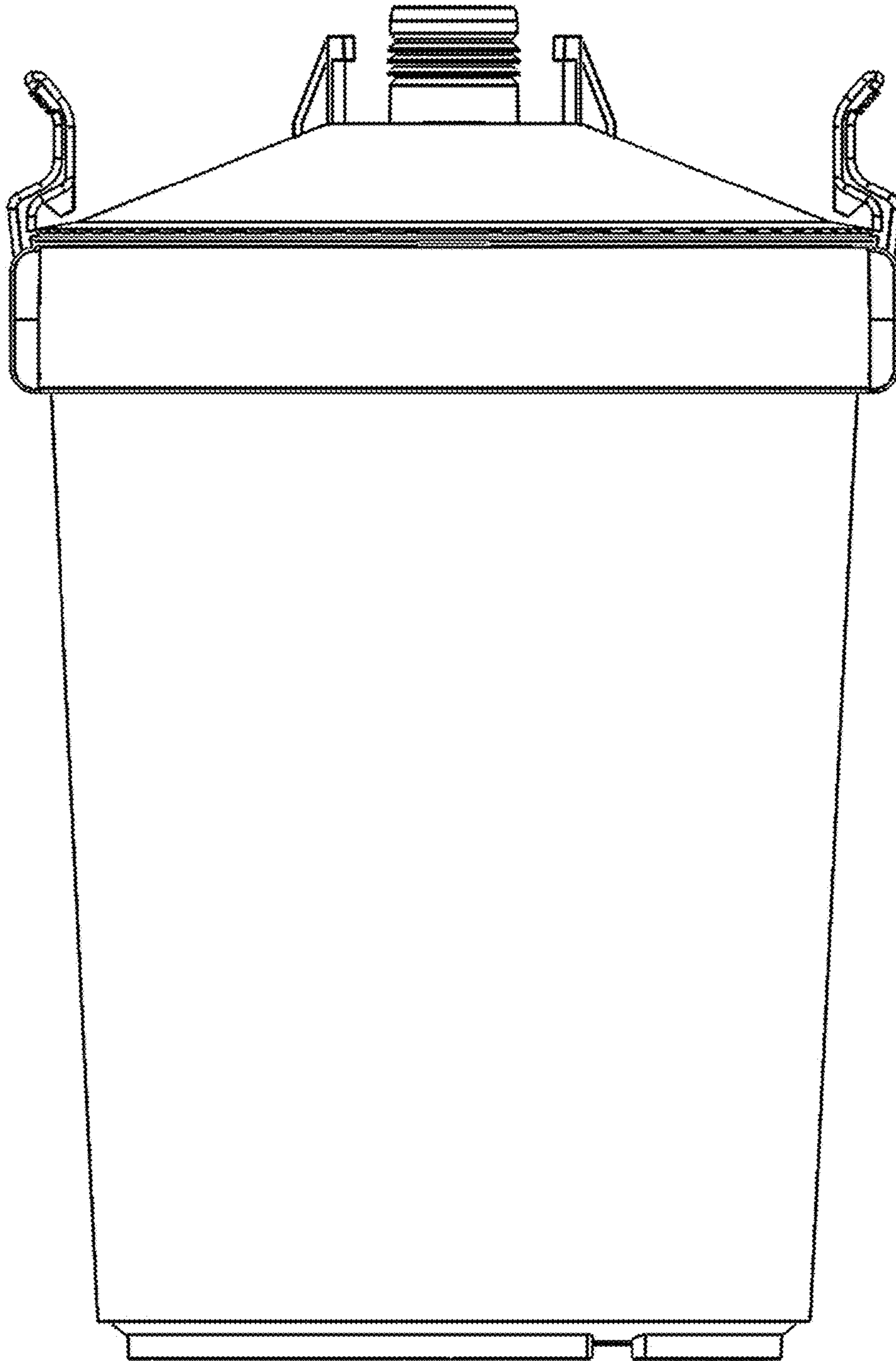


Fig. 4

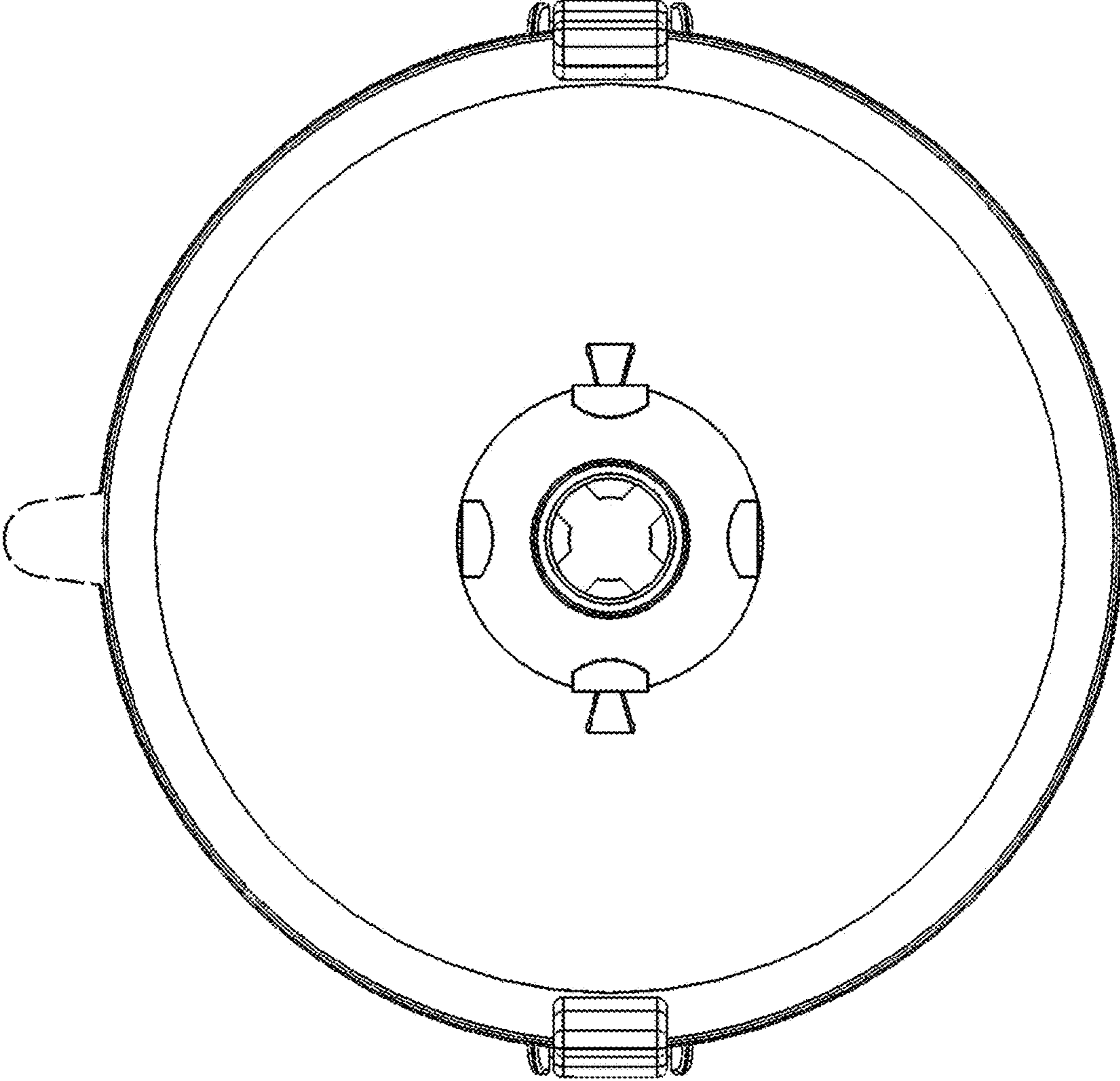


Fig. 5

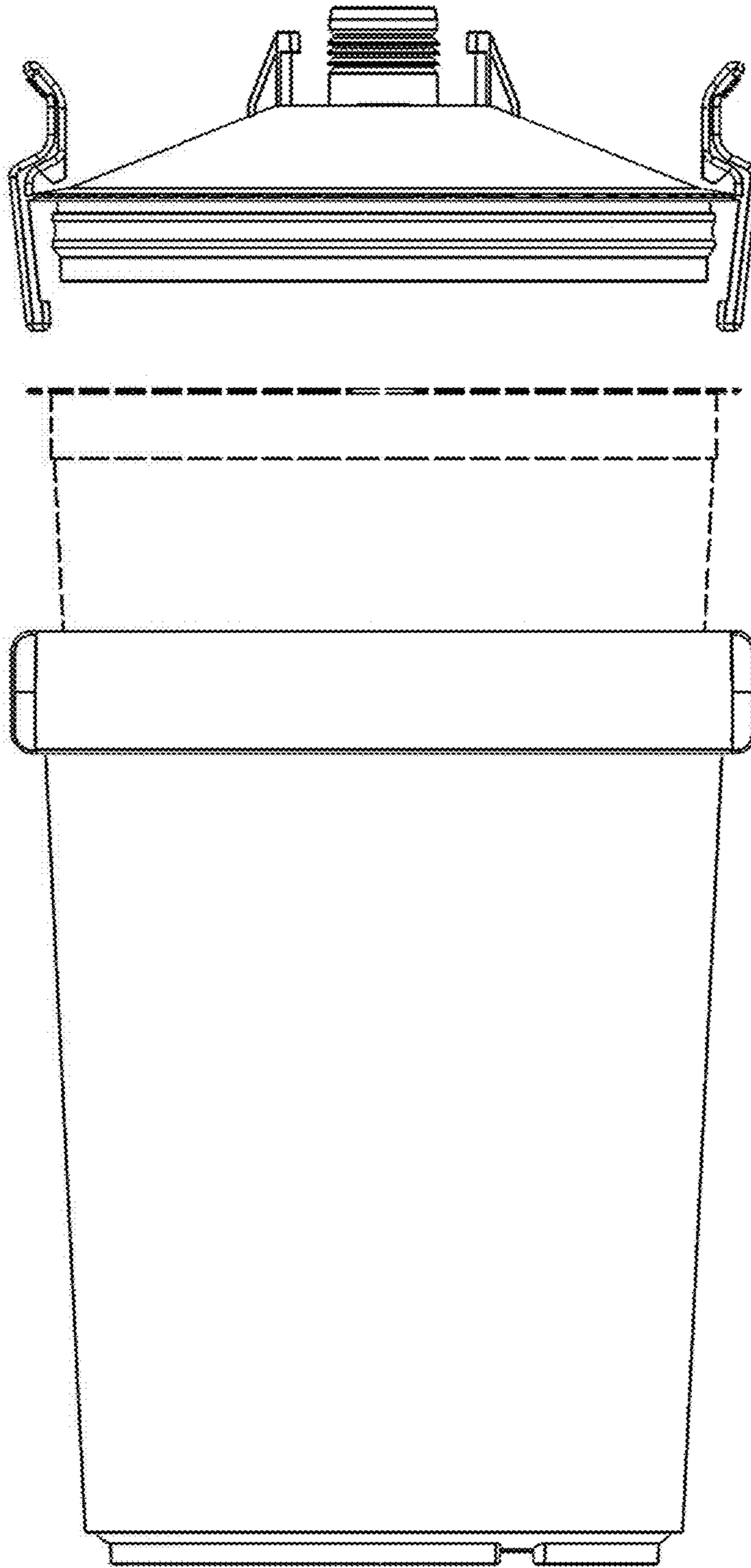


Fig. 6

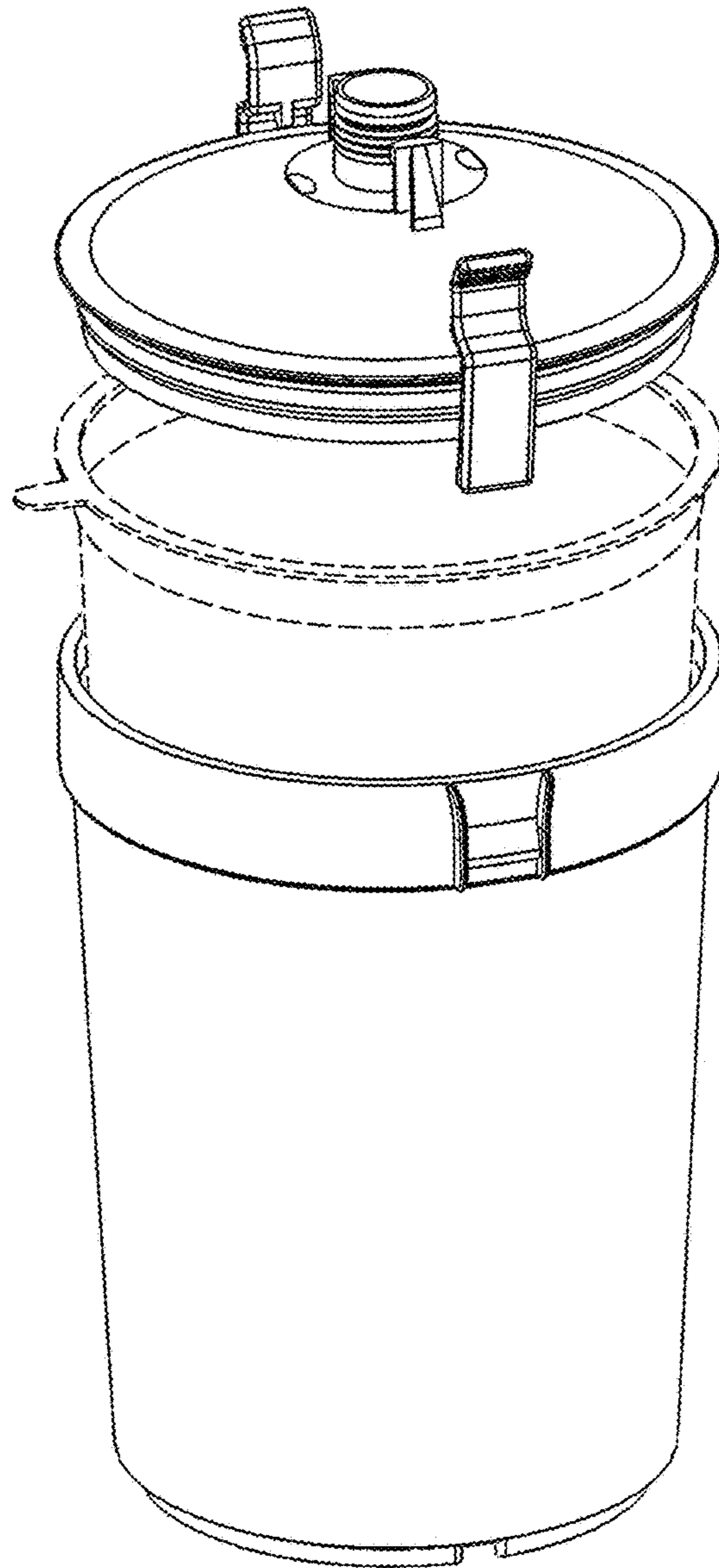


Fig. 7