



US00D816799S

(12) **United States Design Patent** (10) **Patent No.:** **US D816,799 S**
Bell (45) **Date of Patent:** **** May 1, 2018**

(54) **ENVIRONMENTAL WASTE WATER
FILTERING SYSTEM**

(71) Applicant: **Bryce Paul Bell**, San Diego, CA (US)

(72) Inventor: **Bryce Paul Bell**, San Diego, CA (US)

(**) Term: **15 Years**

(21) Appl. No.: **29/597,179**

(22) Filed: **Mar. 15, 2017**

(51) **LOC (11) Cl.** **23-01**

(52) **U.S. Cl.**
USPC **D23/209**; D32/53

(58) **Field of Classification Search**
USPC D23/200, 207, 209; 210/232, 282, 238,
210/87, 767, 747.3; D32/53
CPC .. B01D 35/143; B01D 35/30; B01D 19/0031;
B01D 29/90; C02F 1/003; C02F 1/283
See application file for complete search history.

(56) **References Cited**

U.S. PATENT DOCUMENTS

180,368	A *	7/1876	Paul et al.	B01D 35/30 210/238
533,563	A *	2/1895	Shriner	B01D 35/30 210/238
693,493	A *	2/1902	Burger et al.	B01D 35/30 210/249
712,336	A *	10/1902	Rudner	B01D 35/30 210/238
935,722	A *	10/1909	Zerkowitz	C02F 1/003 141/69
987,261	A *	3/1911	Schuyler	B01D 35/30 210/238
1,753,577	A *	4/1930	Piccardo	B01D 29/90 210/305
4,204,966	A	5/1980	Morgan, Jr.		
5,059,319	A	10/1991	Welsh		
5,246,580	A *	9/1993	Stedfeldt	B01D 29/115 210/407

D350,900	S *	9/1994	Goetz	D32/53
D352,143	S *	11/1994	Arshinoff	D32/53
5,513,770	A	5/1996	Seeley et al.		
D430,459	S *	9/2000	Conti	D32/53
7,025,880	B2	4/2006	Lamb		
D545,519	S	6/2007	King		
D757,889	S *	5/2016	Meyer	D23/207
D770,009	S *	10/2016	Hoover	D23/207

* cited by examiner

Primary Examiner — Robin V Webster

(74) *Attorney, Agent, or Firm* — Gary L. Eastman, Esq;
Eastman & McCartney LLP

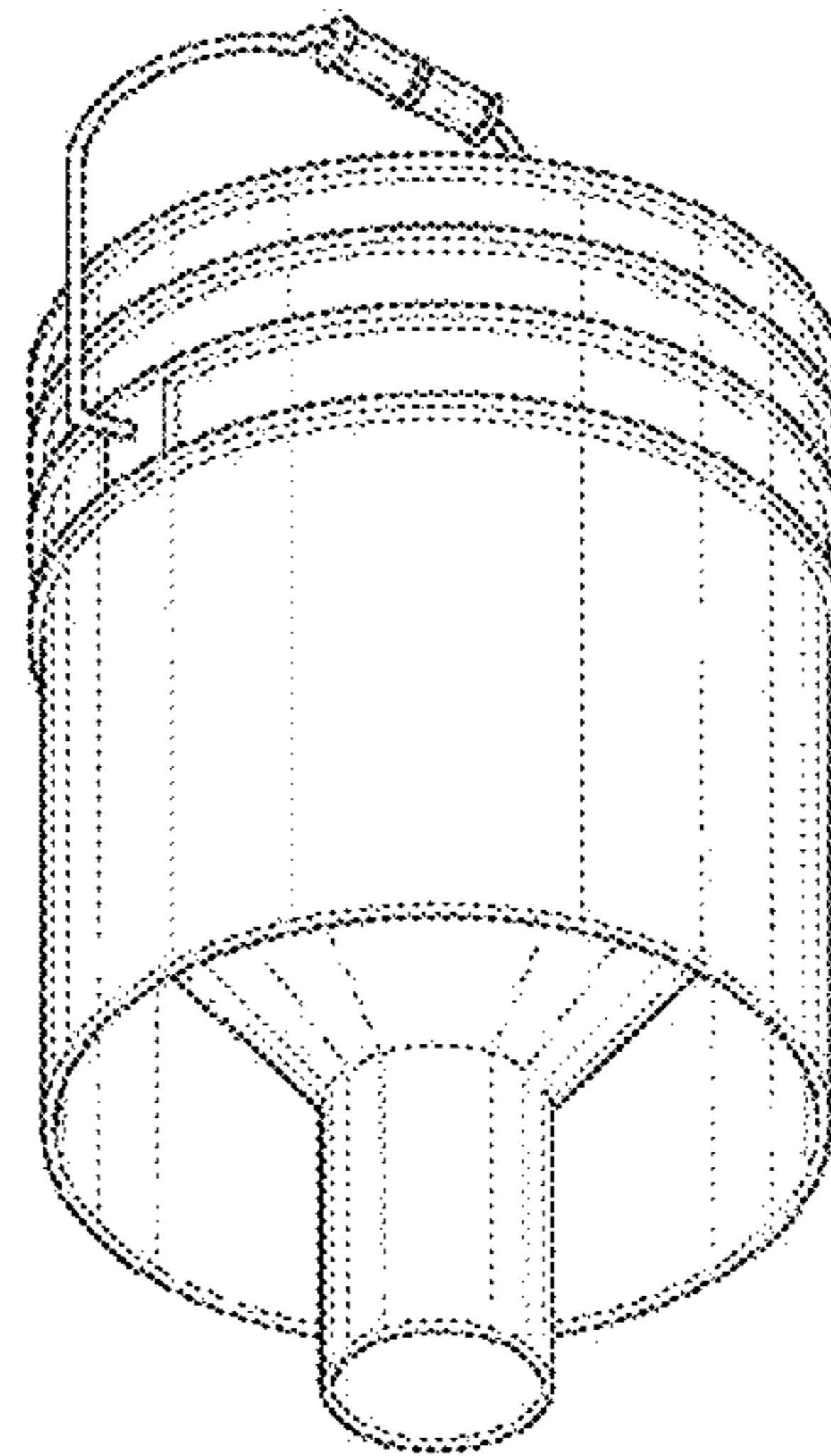
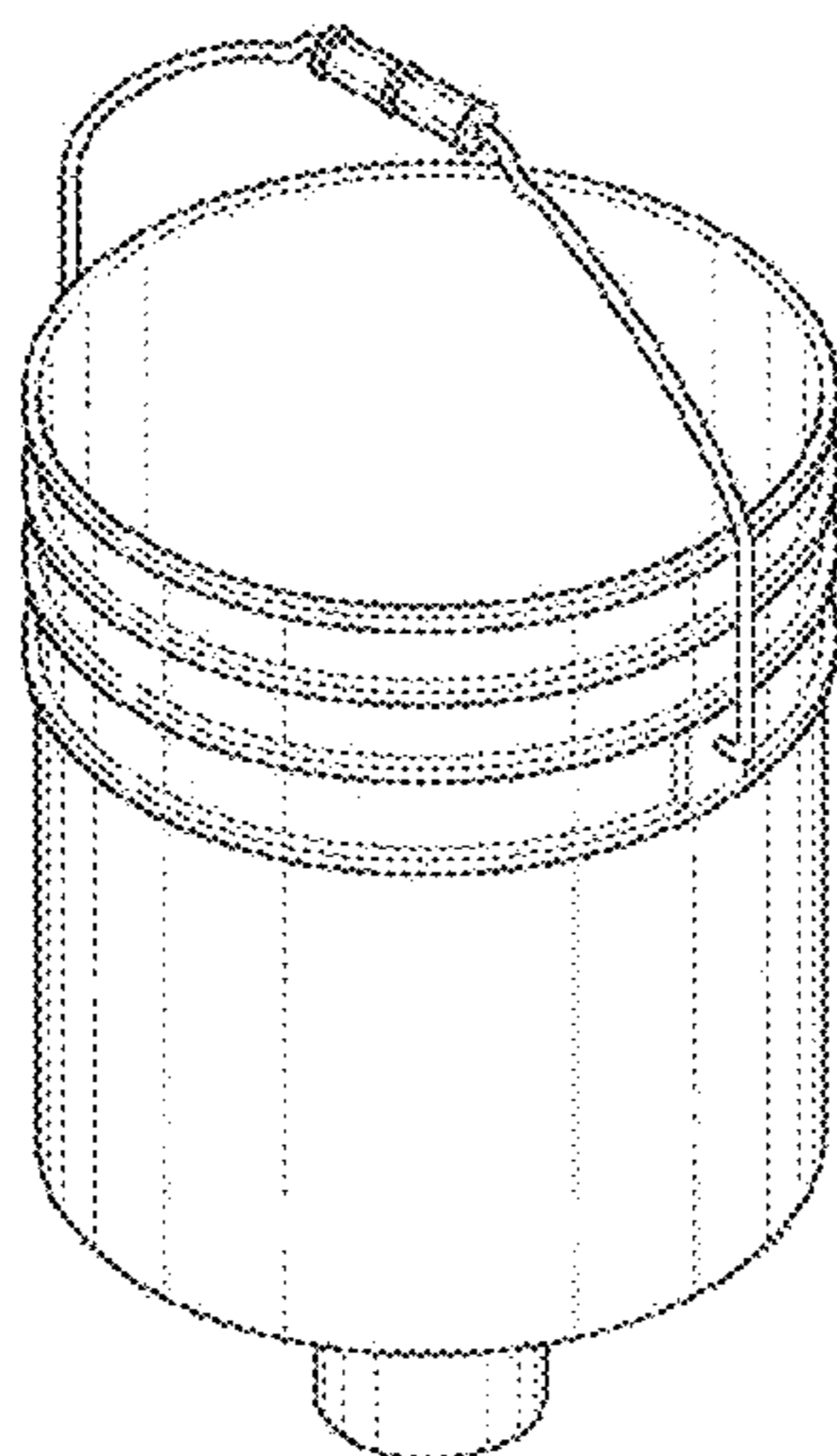
(57) **CLAIM**

The ornamental design for an environmental waste water filtering system, as shown and described.

DESCRIPTION

FIG. 1 is a top perspective view of an environmental waste water filtering system;
 FIG. 2 is a bottom perspective view of the environmental waste water filtering system;
 FIG. 3 is a front elevational view of the environmental waste water filtering system;
 FIG. 4 is a left elevational view of the environmental waste water filtering system;
 FIG. 5 is a bottom plan view of the environmental waste water filtering system;
 FIG. 6 is a top plan view of the environmental waste water filtering system;
 FIG. 7 is a front cutaway view of the environmental waste water filtering system; and,
 FIG. 8 is a left cutaway view of the environmental waste water filtering system.
 The back view is a mirror image of FIG. 3, and the right view is a mirror image of FIG. 4.

1 Claim, 3 Drawing Sheets



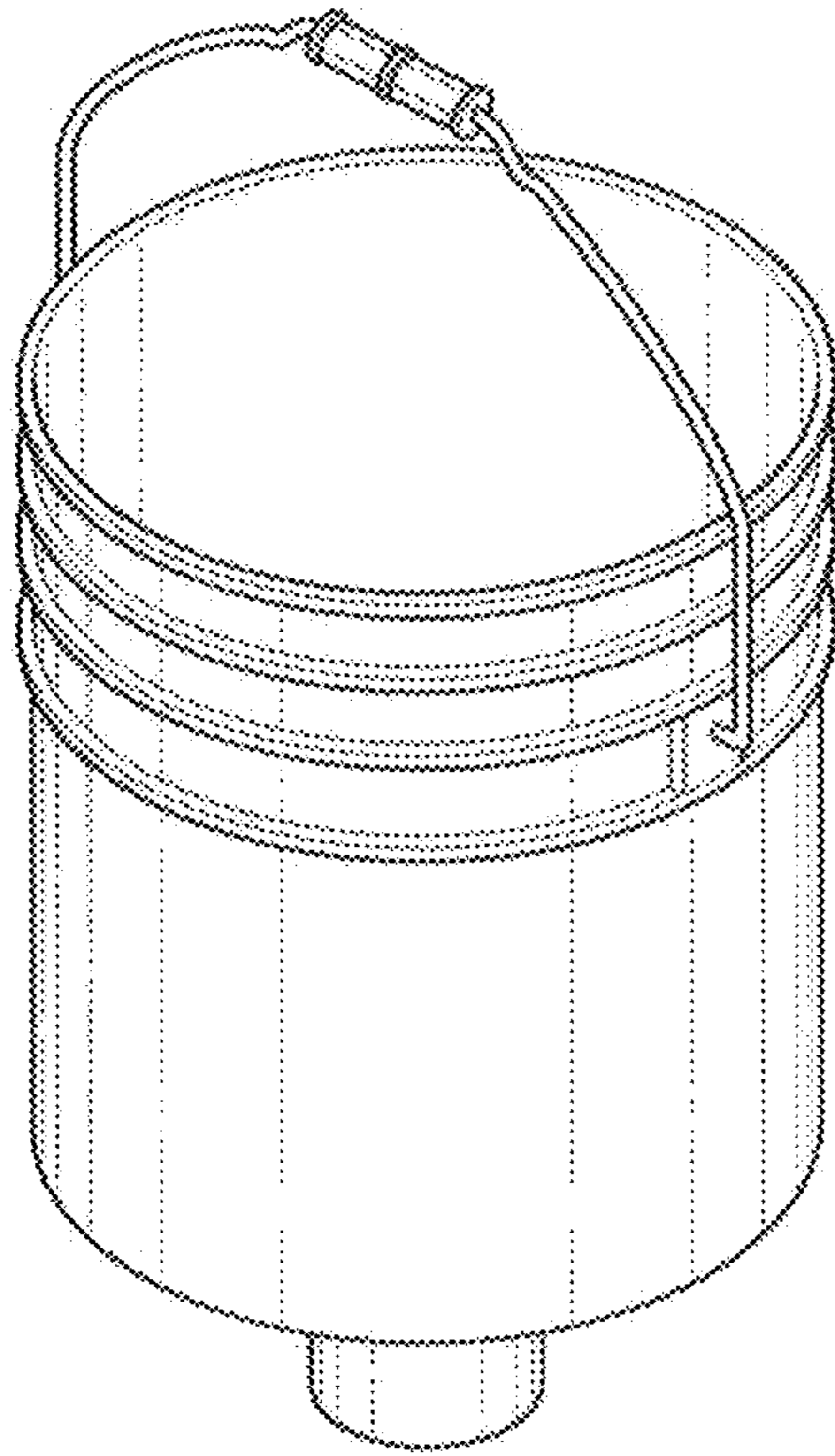


FIG. 1

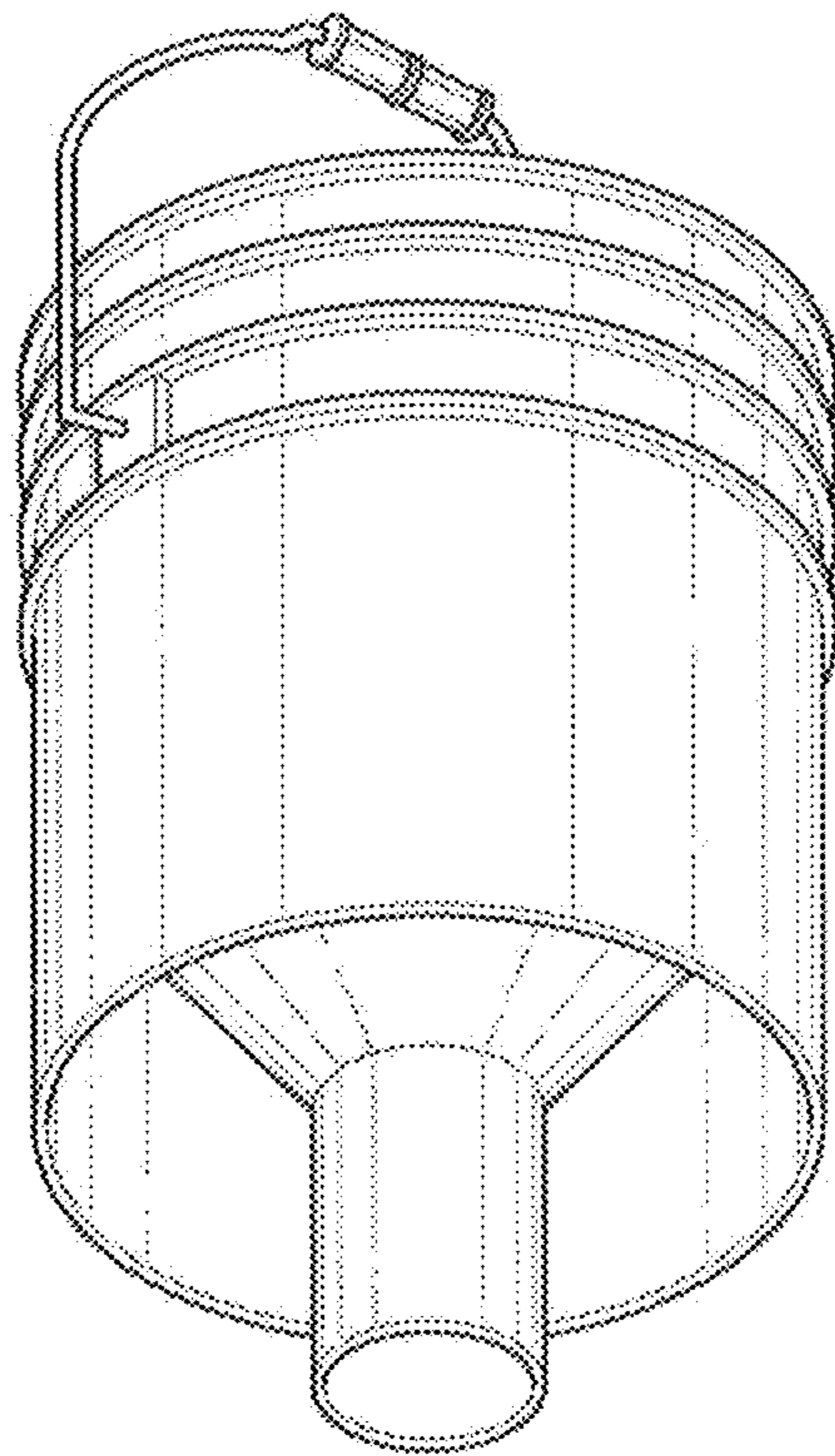


FIG. 2

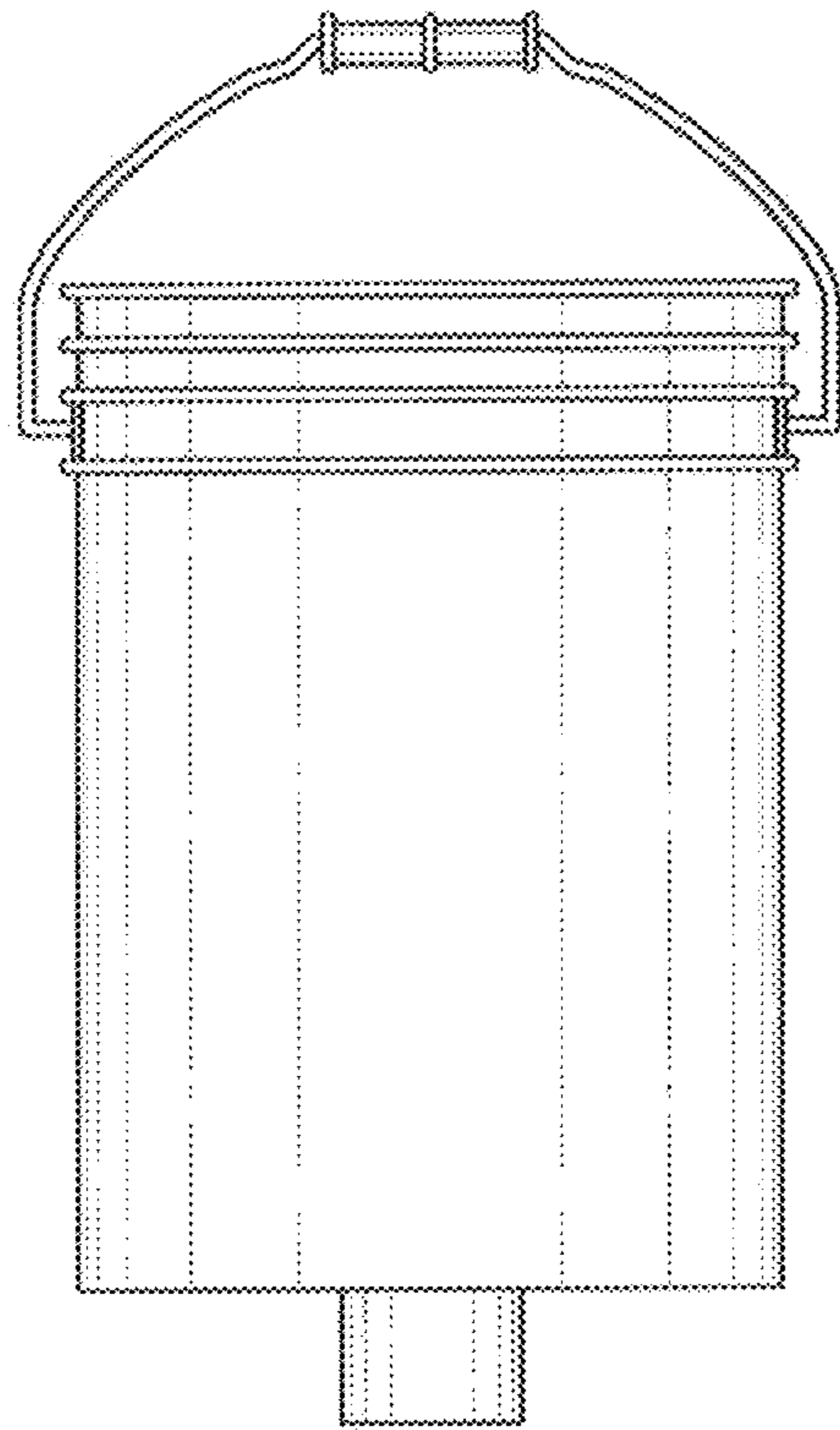


FIG. 3

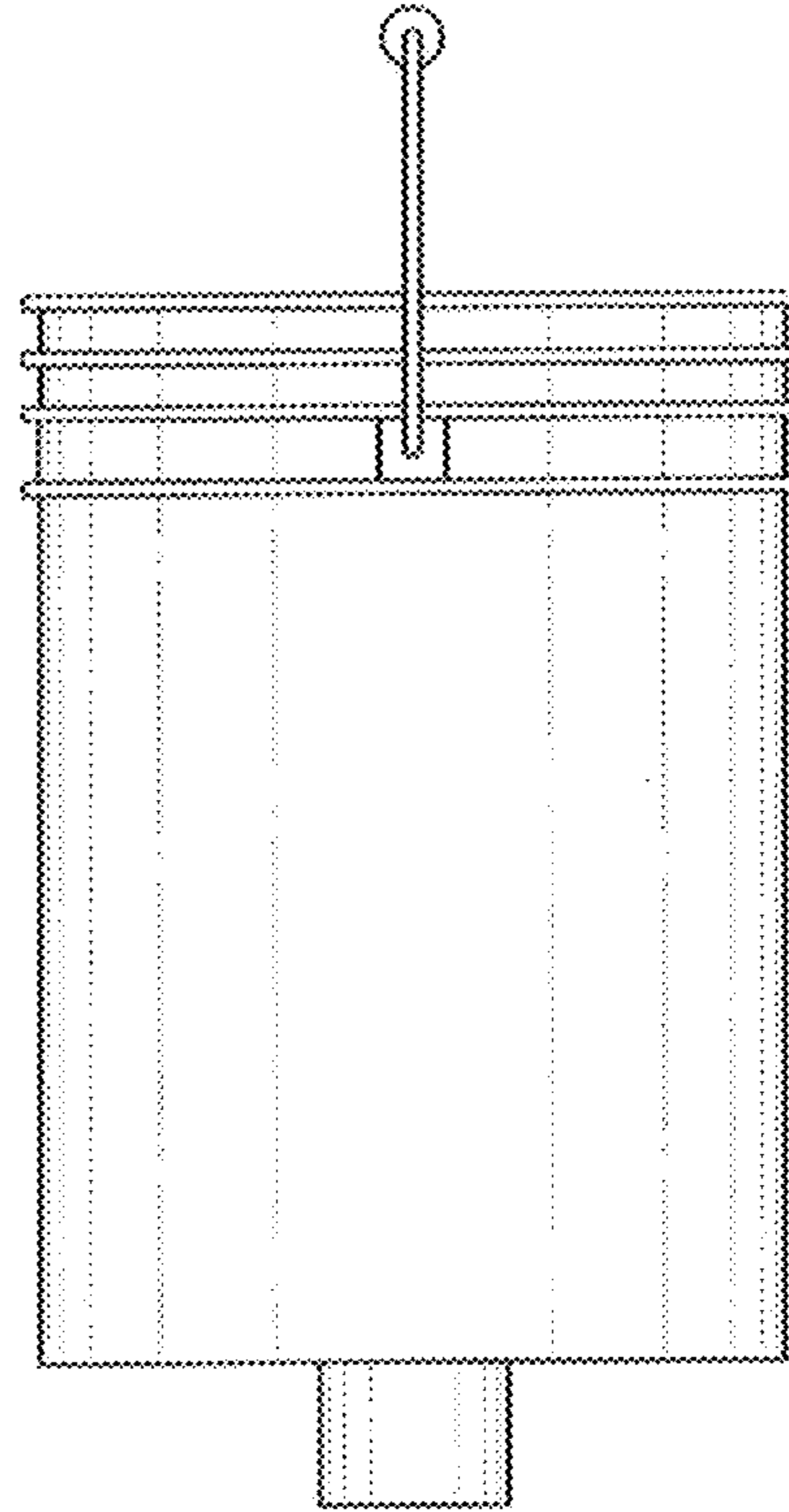


FIG. 4

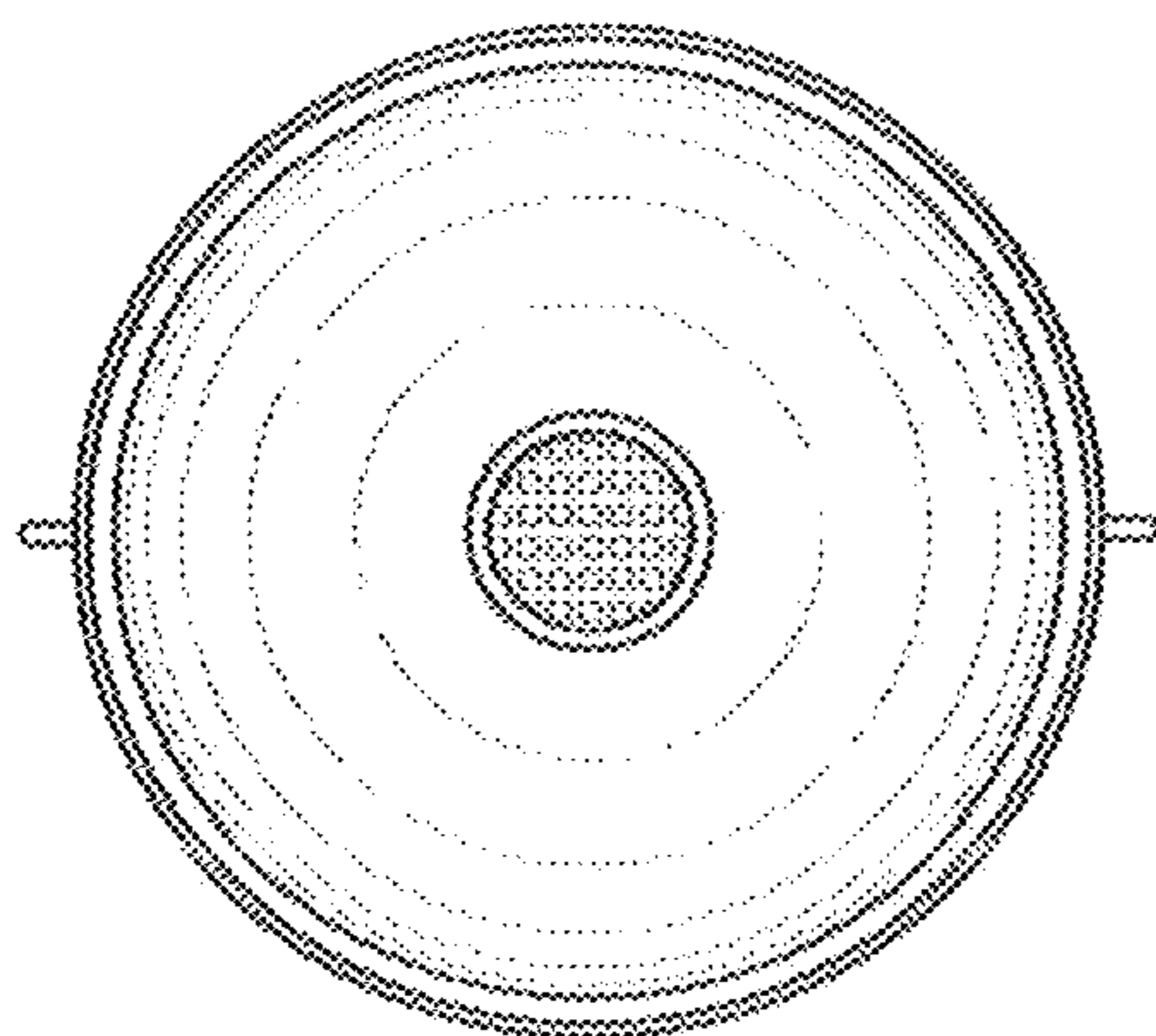


FIG. 5

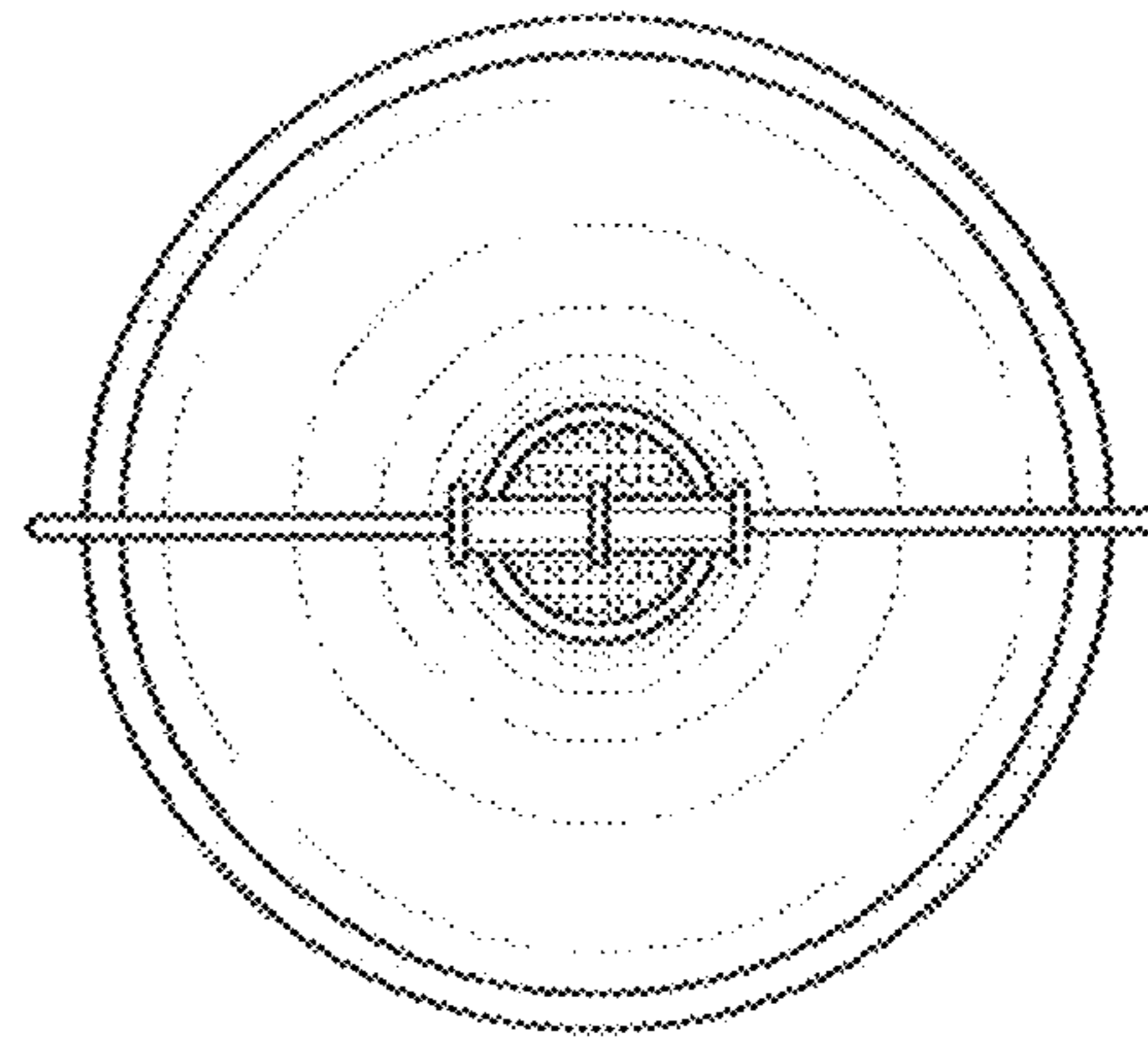


FIG. 6

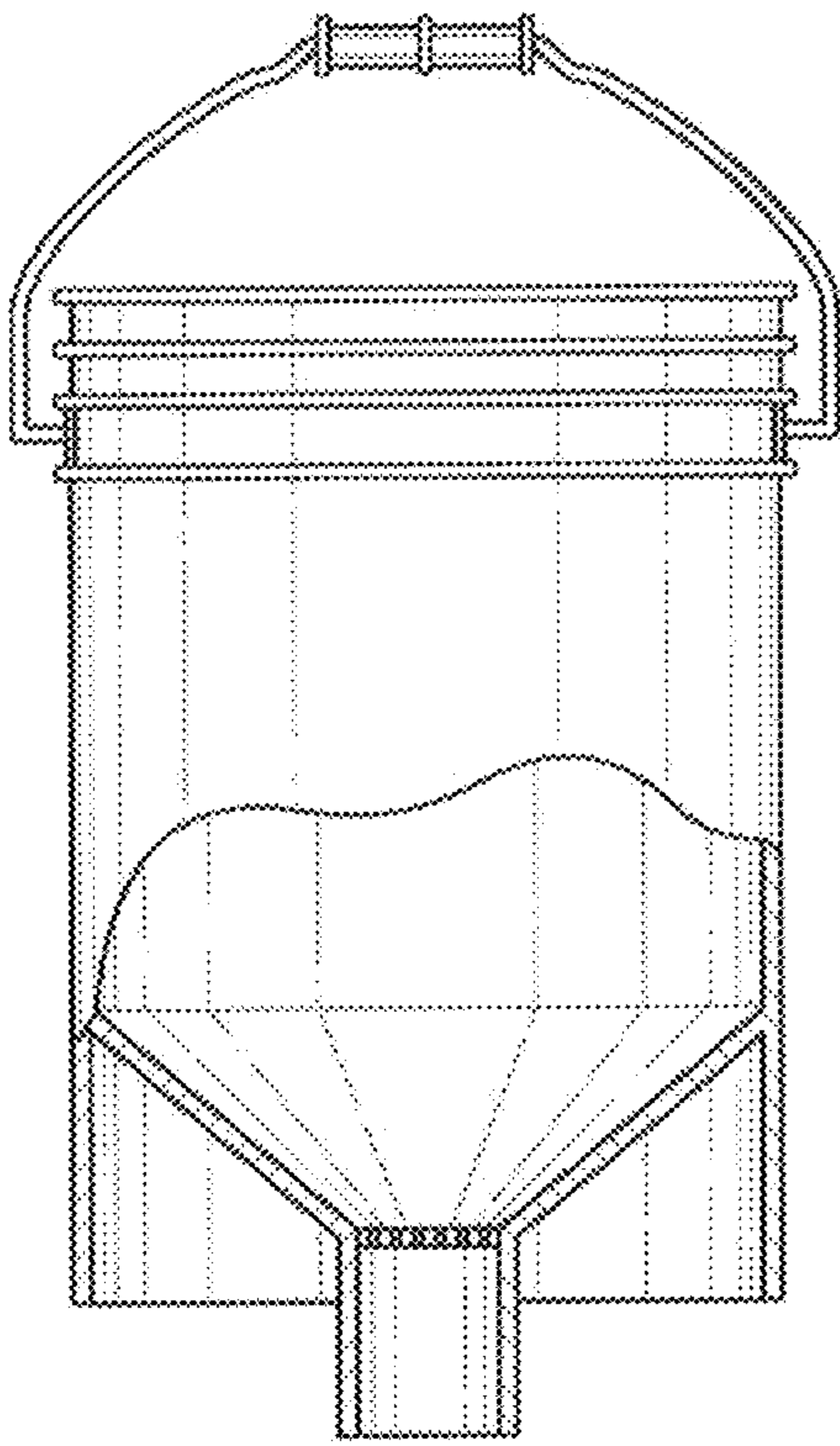


FIG. 7

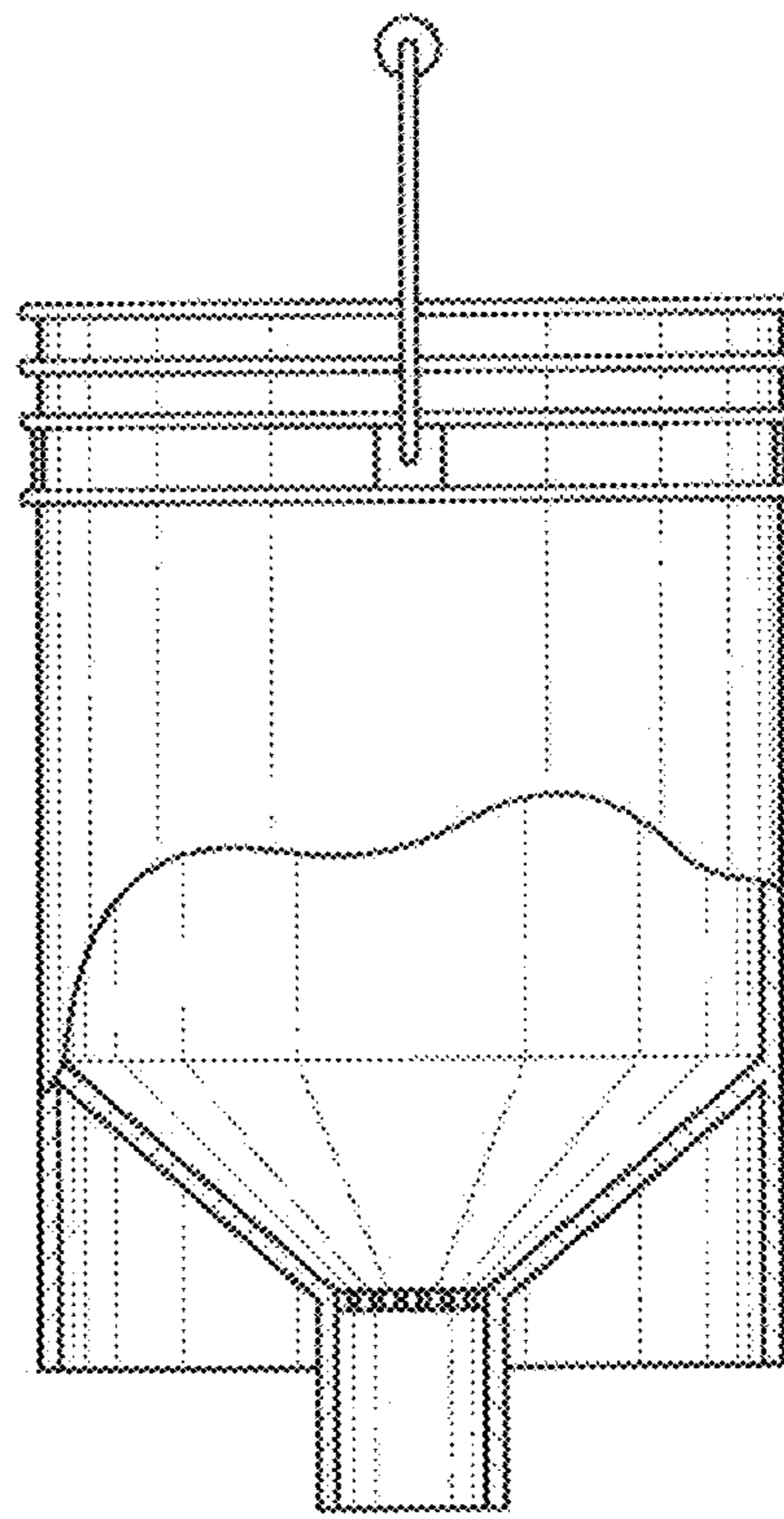


FIG. 8