



US00D816798S

(12) **United States Design Patent**  
**Rayle**

(10) **Patent No.:** **US D816,798 S**

(45) **Date of Patent:** **\*\* May 1, 2018**

(54) **WINE FILTER ASSEMBLY WITH  
TRANSPARENT CONTAINER**  
  
(71) Applicant: **Keith Rayle**, Jacksonville, FL (US)  
(72) Inventor: **Keith Rayle**, Jacksonville, FL (US)  
(\*\*) Term: **15 Years**

D697,170 S *	1/2014	Bradford	.....	D23/209
D700,014 S *	2/2014	Zeanah	.....	D7/510
D775,712 S *	1/2017	Kim	.....	D23/209
D790,660 S *	6/2017	Zhadanov	.....	D23/209
D793,523 S *	8/2017	Adey	.....	D23/209
D795,996 S *	8/2017	Zou	.....	D23/209
D798,997 S *	10/2017	Zou	.....	D23/209
D802,712 S *	11/2017	Downie	.....	D23/209

\* cited by examiner

(21) Appl. No.: **29/587,676**  
(22) Filed: **Dec. 14, 2016**  
(51) **LOC (11) Cl.** ..... **23-01**  
(52) **U.S. Cl.**  
USPC ..... **D23/209**  
(58) **Field of Classification Search**  
USPC ..... D23/207-209; D7/213, 608, 397  
CPC ..... B01D 35/00; B01D 35/35; B01D 35/153;  
C02F 1/00; C02F 1/003  
See application file for complete search history.

*Primary Examiner* — Robin V Webster  
*Assistant Examiner* — James C Thorn, Sr.  
(74) *Attorney, Agent, or Firm* — Mark Young, P.A.

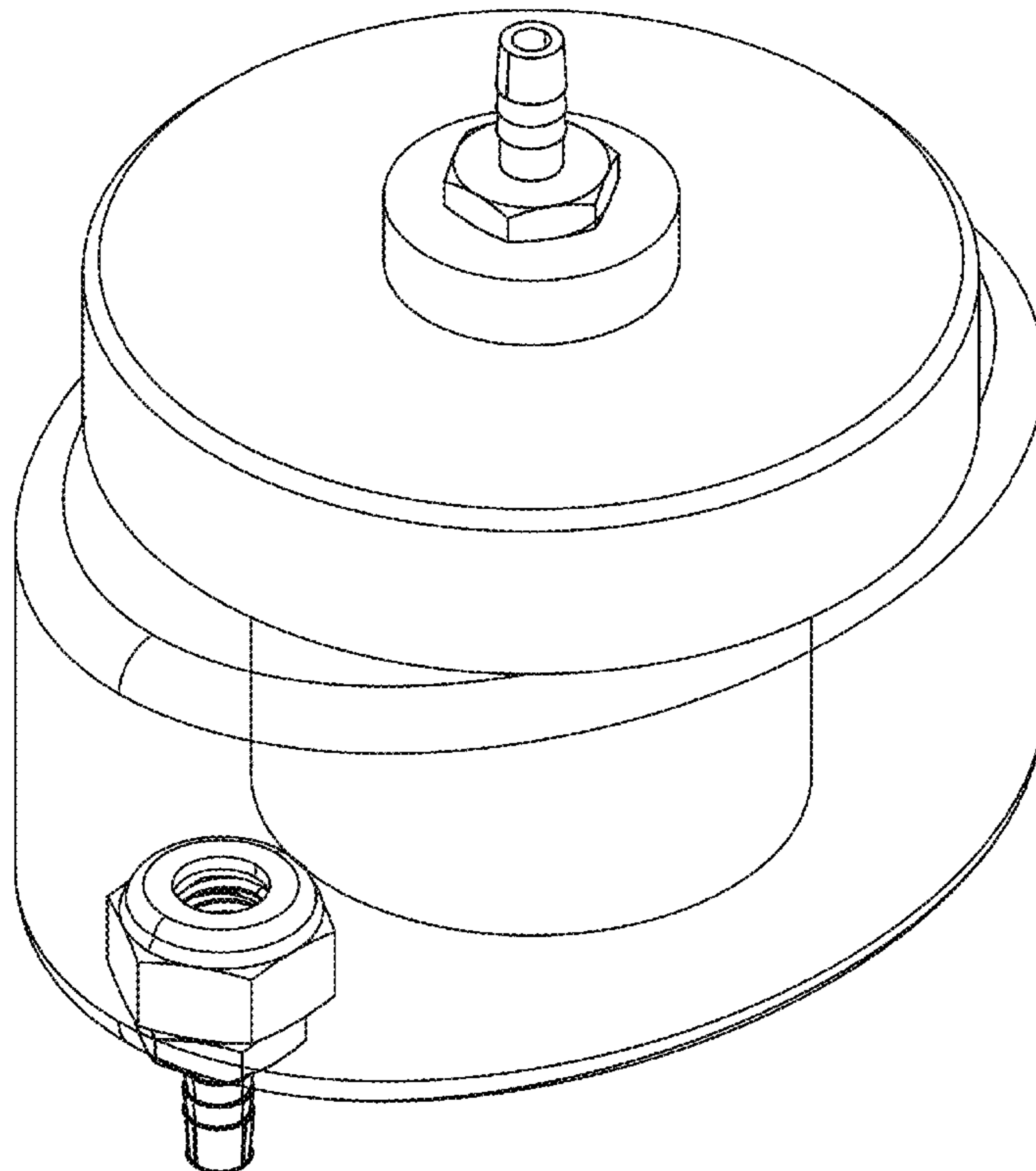
(57) **CLAIM**  
The ornamental design for a wine filter assembly with a transparent container, as shown and described.

**DESCRIPTION**

FIG. 1 is a top plan view of the wine filter assembly with transparent container, showing my new design;  
FIG. 2 is a first side view thereof;  
FIG. 3 is a front view thereof;  
FIG. 4 is a bottom plan view thereof;  
FIG. 5 is a back view thereof;  
FIG. 6 is a second side view thereof;  
FIG. 7 is a first top perspective view thereof;  
FIG. 8 is a second top perspective view thereof;  
FIG. 9 is a first bottom perspective view thereof; and,  
FIG. 10 is a second bottom perspective view thereof.

(56) **References Cited**  
U.S. PATENT DOCUMENTS  
3,954,625 A \* 5/1976 Michalski ..... B01D 29/012  
210/445  
D262,484 S \* 12/1981 Ward ..... D23/209  
D273,330 S \* 4/1984 Rouch ..... D23/209  
D634,397 S \* 3/2011 Lautzenheiser ..... D23/207  
D660,078 S \* 5/2012 Kehoe ..... D7/213

**1 Claim, 10 Drawing Sheets**



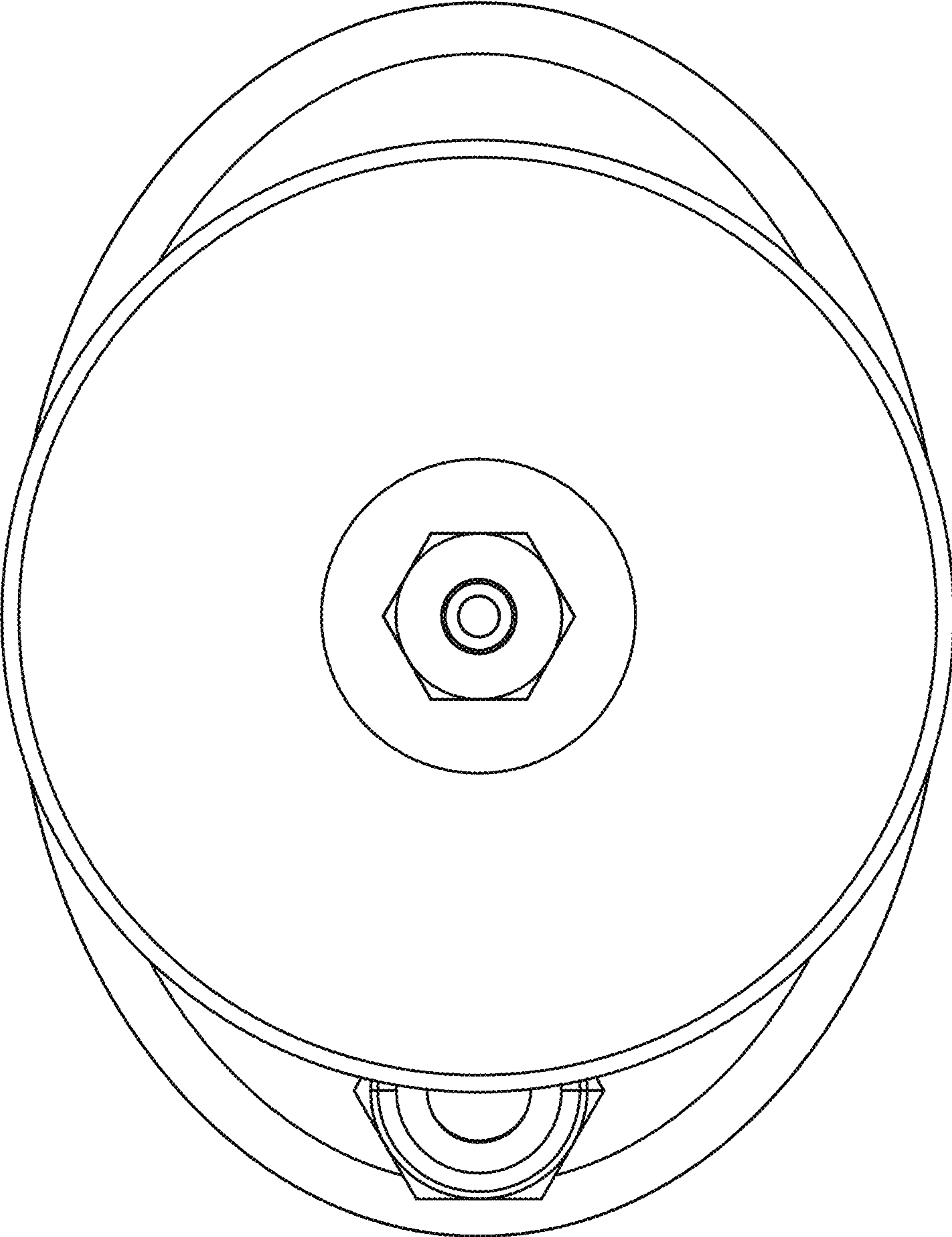


FIG. 1

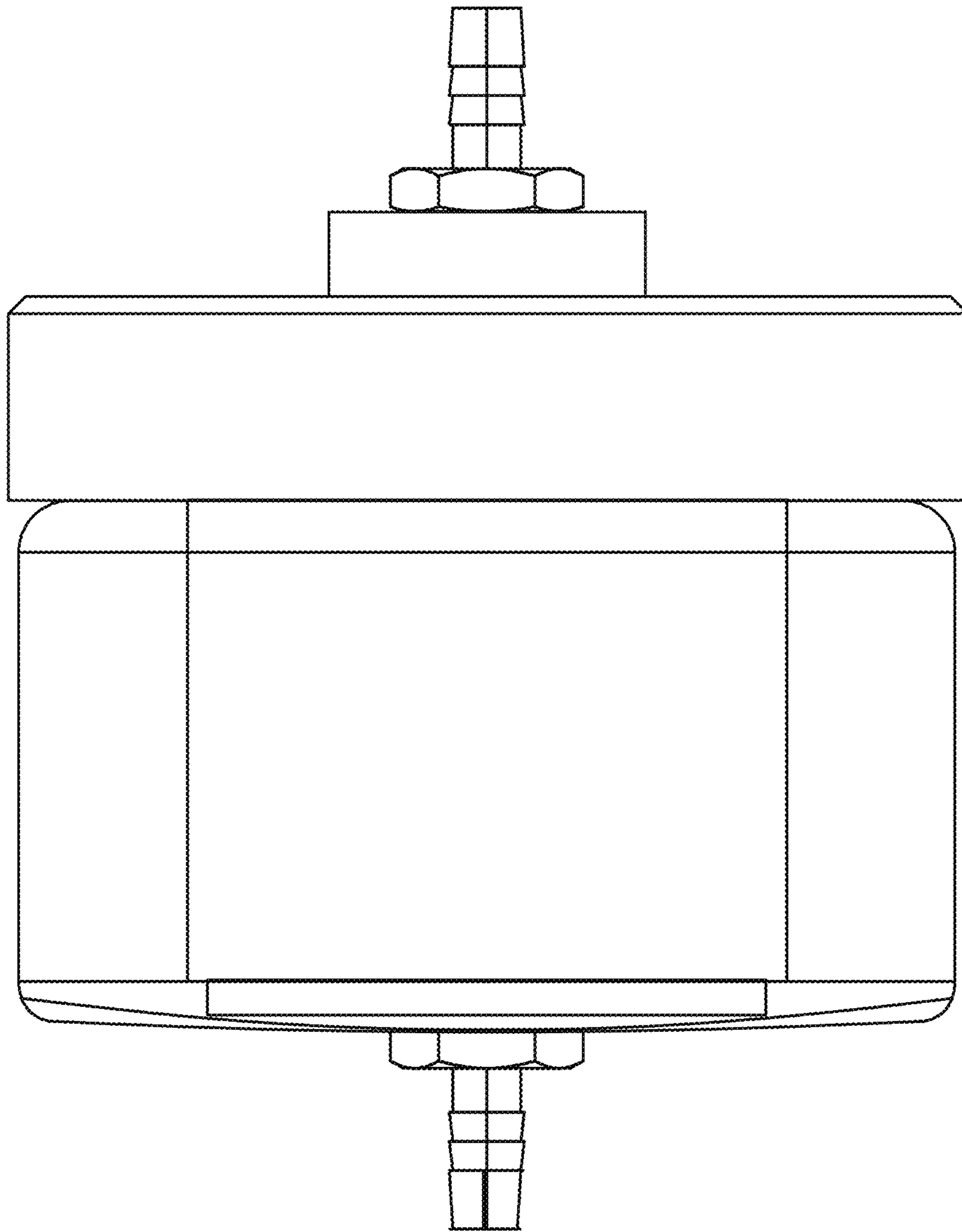


FIG. 2

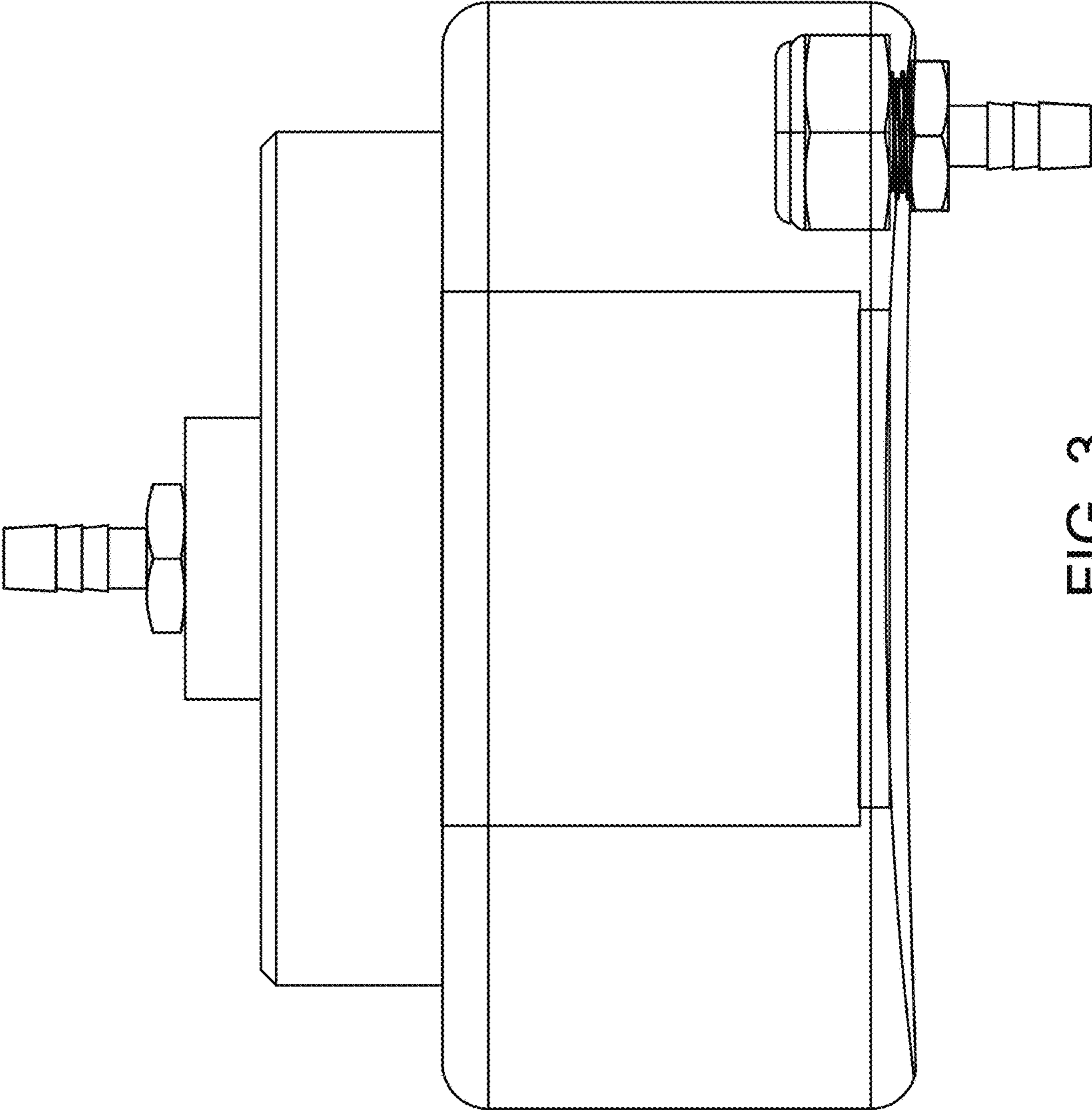


FIG. 3

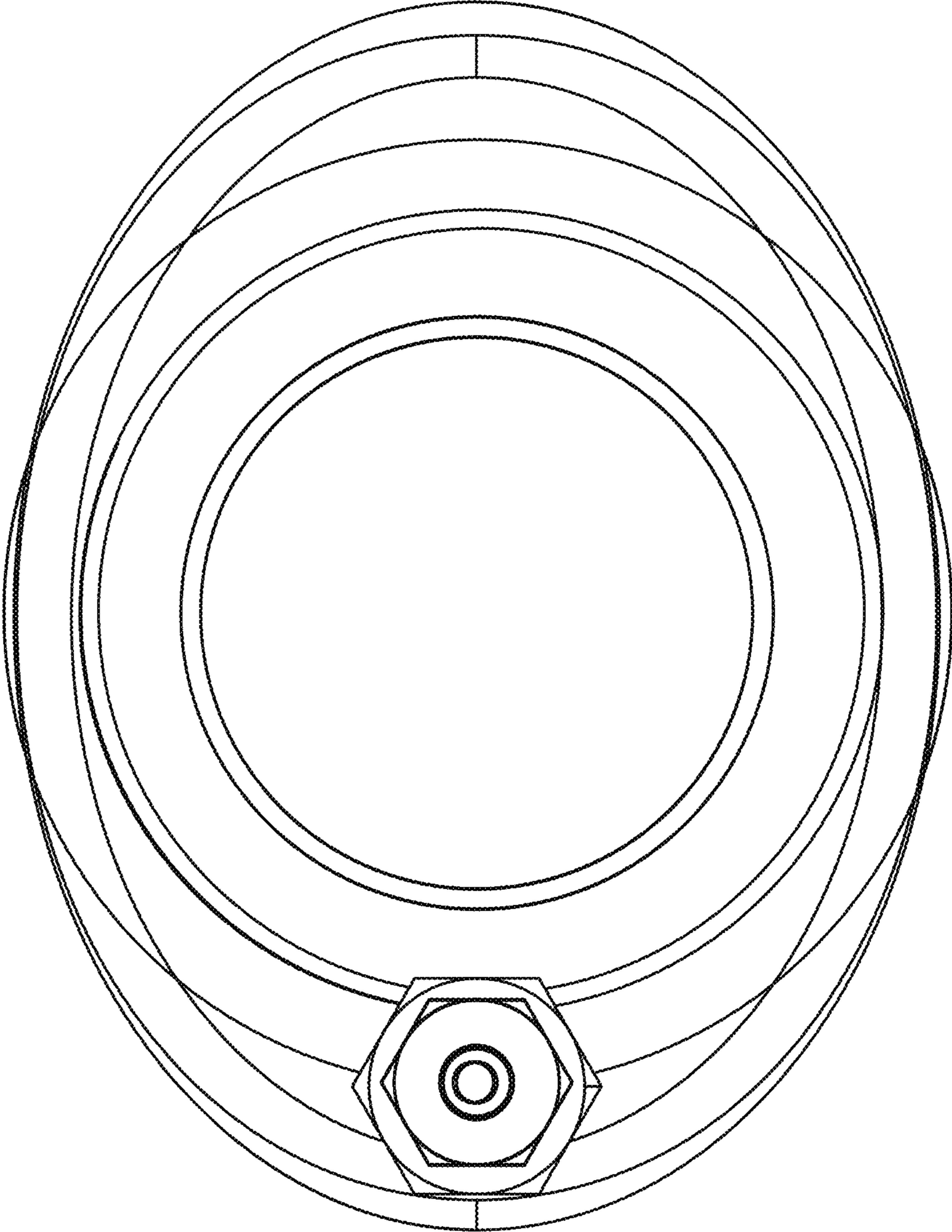


FIG. 4



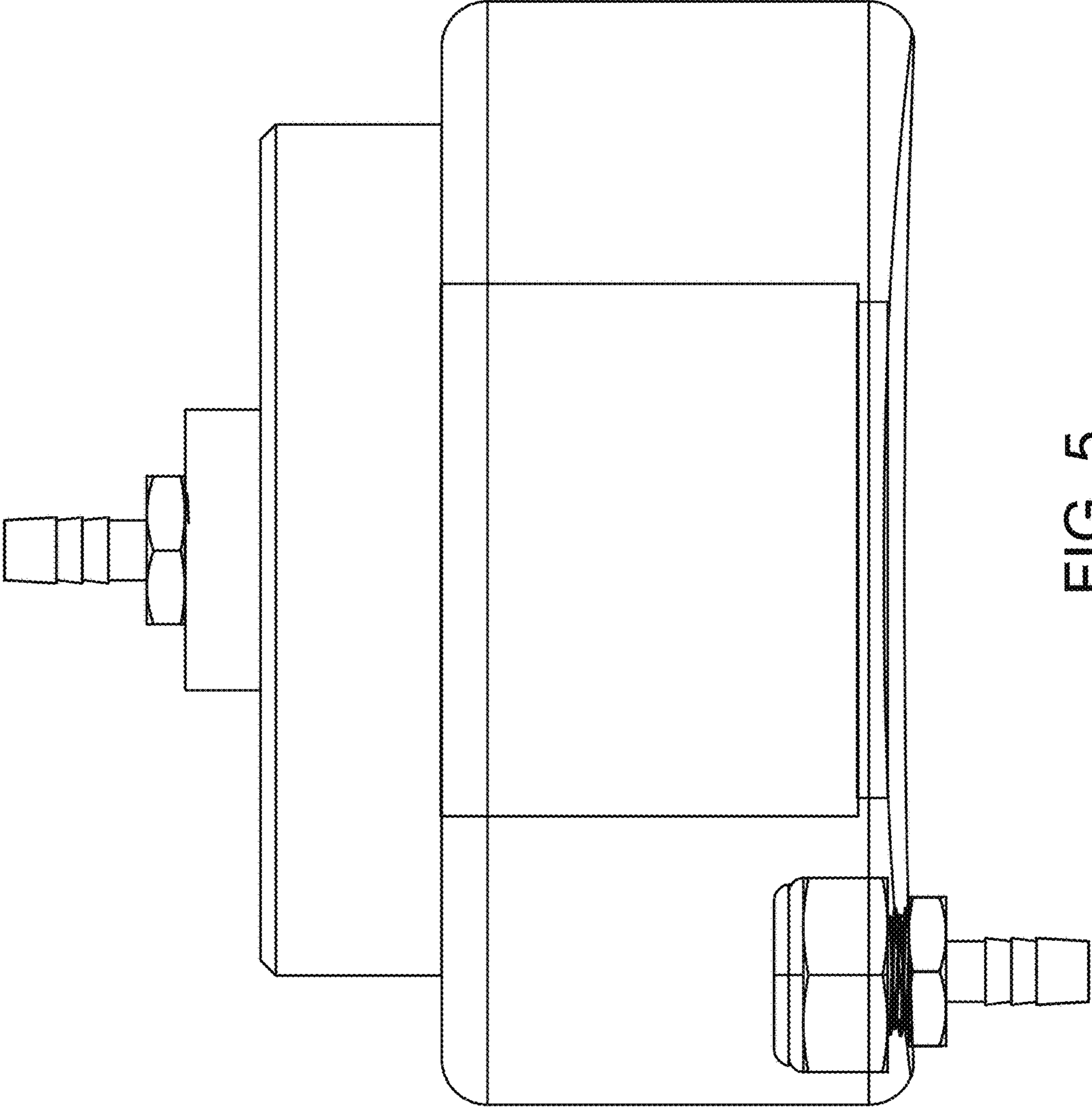


FIG. 5

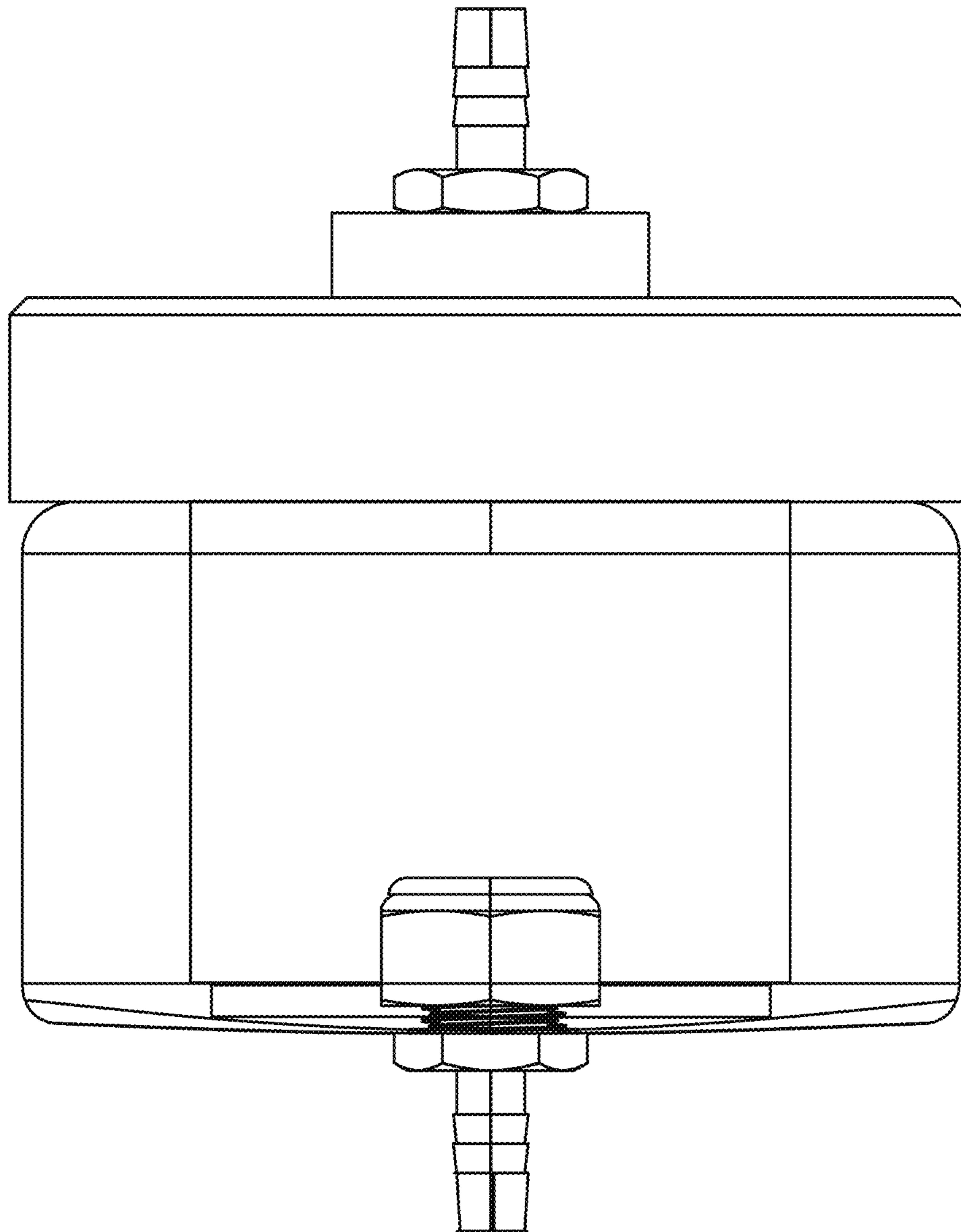


FIG. 6

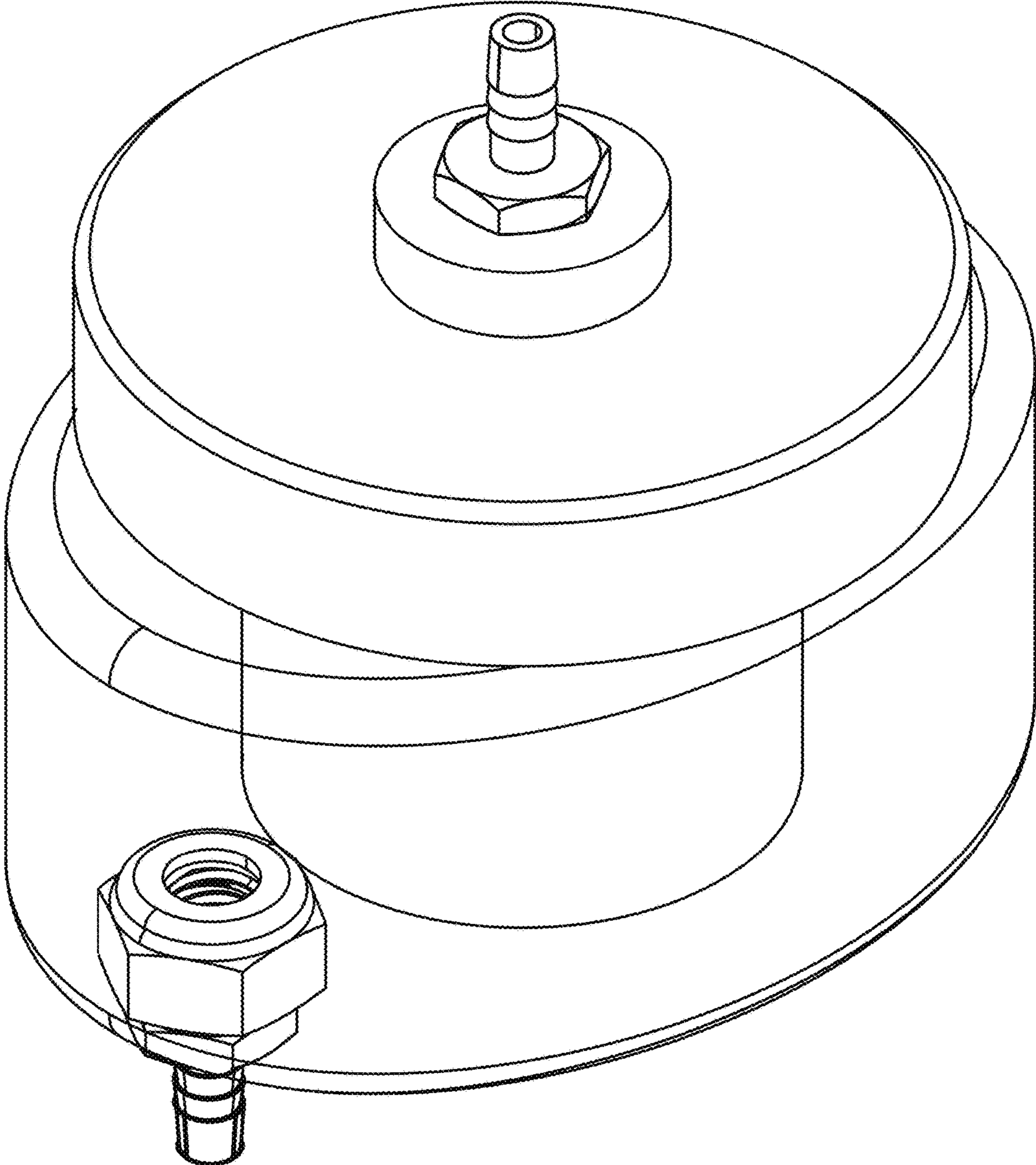


FIG. 7



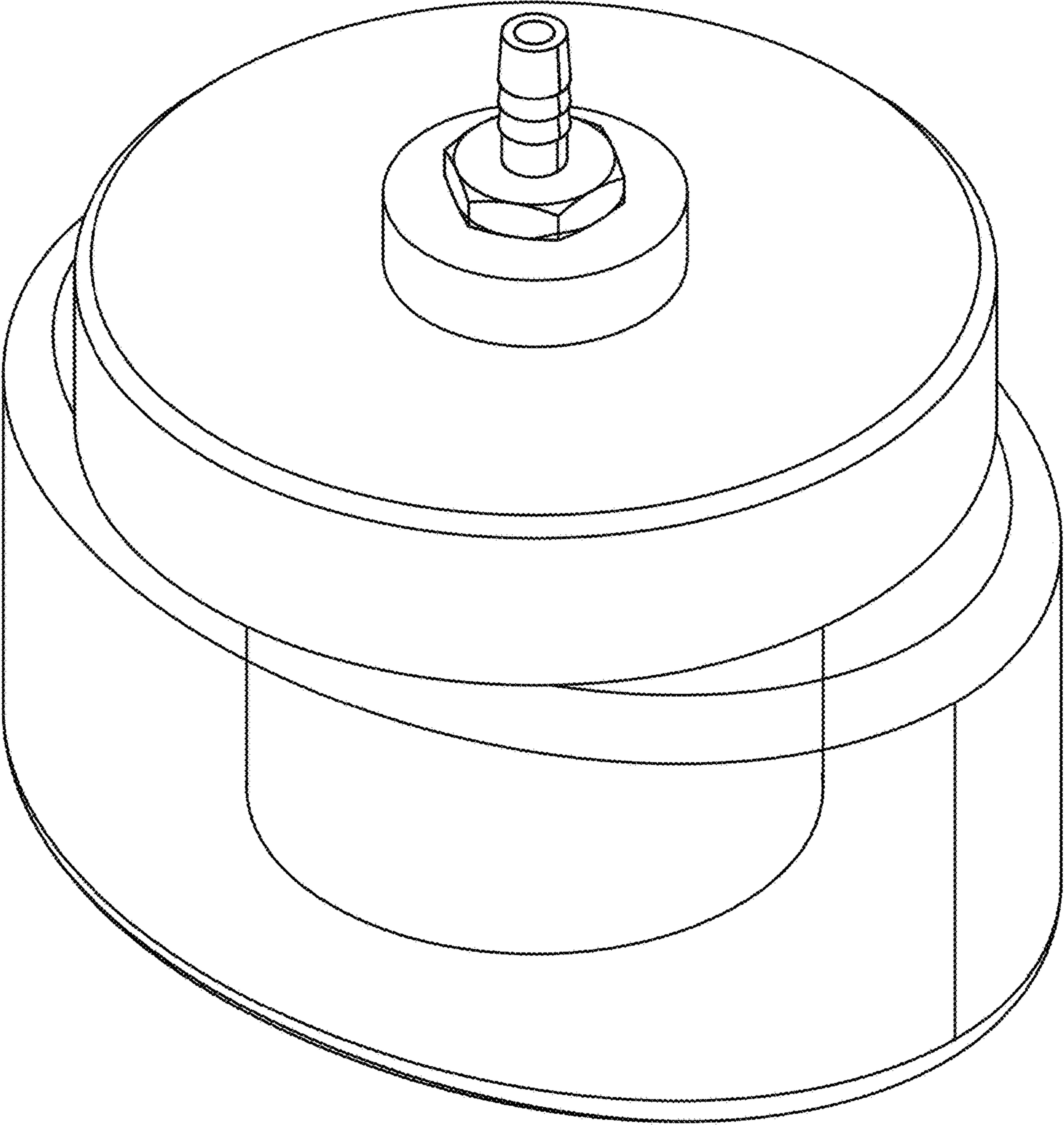


FIG. 8

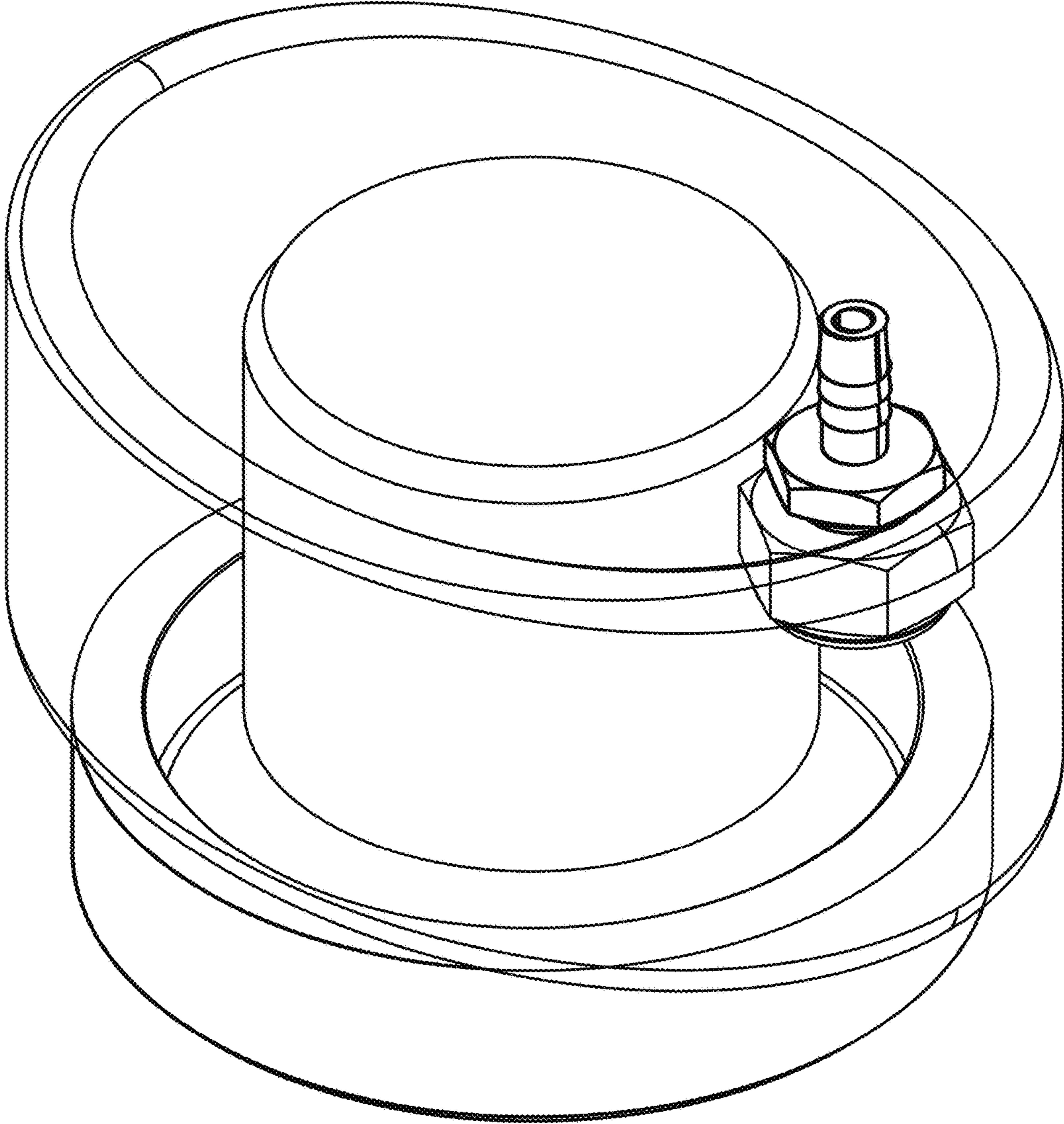


FIG. 9

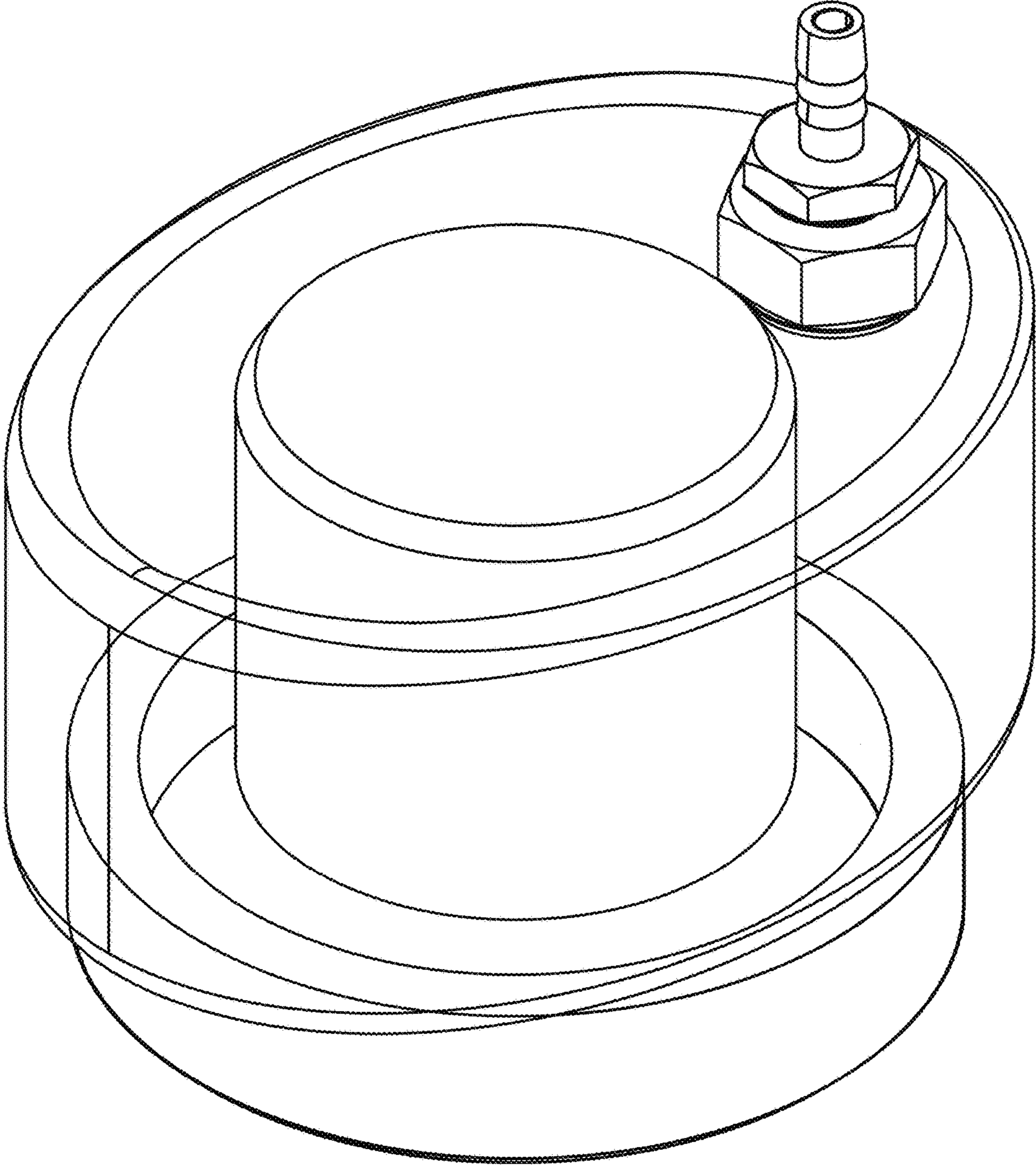


FIG. 10