



US00D816796S

(12) **United States Design Patent**
Thompson

(10) **Patent No.:** **US D816,796 S**
(45) **Date of Patent:** **** May 1, 2018**

(54) **FLOAT FOR AN OYSTER BASKET**

(71) Applicant: **Seapa Pty Ltd**, Edwardstown (AU)
(72) Inventor: **Garry Thompson**, Edwardstown (AU)
(73) Assignee: **Seapa Pty Ltd**, Edwardstown (AU)
(**) Term: **15 Years**

(21) Appl. No.: **29/594,031**

(22) Filed: **Feb. 15, 2017**

(30) **Foreign Application Priority Data**

Aug. 17, 2016 (AU) 201614484

(51) **LOC (11) Cl.** **22-06**

(52) **U.S. Cl.**
USPC **D22/121**

(58) **Field of Classification Search**
USPC D22/119–124, 134, 145–146; 114/140,
114/121, 39.1; 43/55, 100, 103–104,
43/106; 441/136
CPC A01K 97/00; A01K 97/04; A01K 97/05;
A63B 69/14
See application file for complete search history.

(56) **References Cited**

U.S. PATENT DOCUMENTS

4,518,364 A * 5/1985 Jacobson A63B 69/14
441/136
D309,937 S * 8/1990 Baxter D22/146
D365,135 S * 12/1995 Elliott D22/121

OTHER PUBLICATIONS

Seapa 600 Series Baskets/Seapa Oyster Baskets, (Year: 2017).*

* cited by examiner

Primary Examiner — Catherine R Oliver-Garcia

(74) *Attorney, Agent, or Firm* — Eagar & Martin Pty Ltd

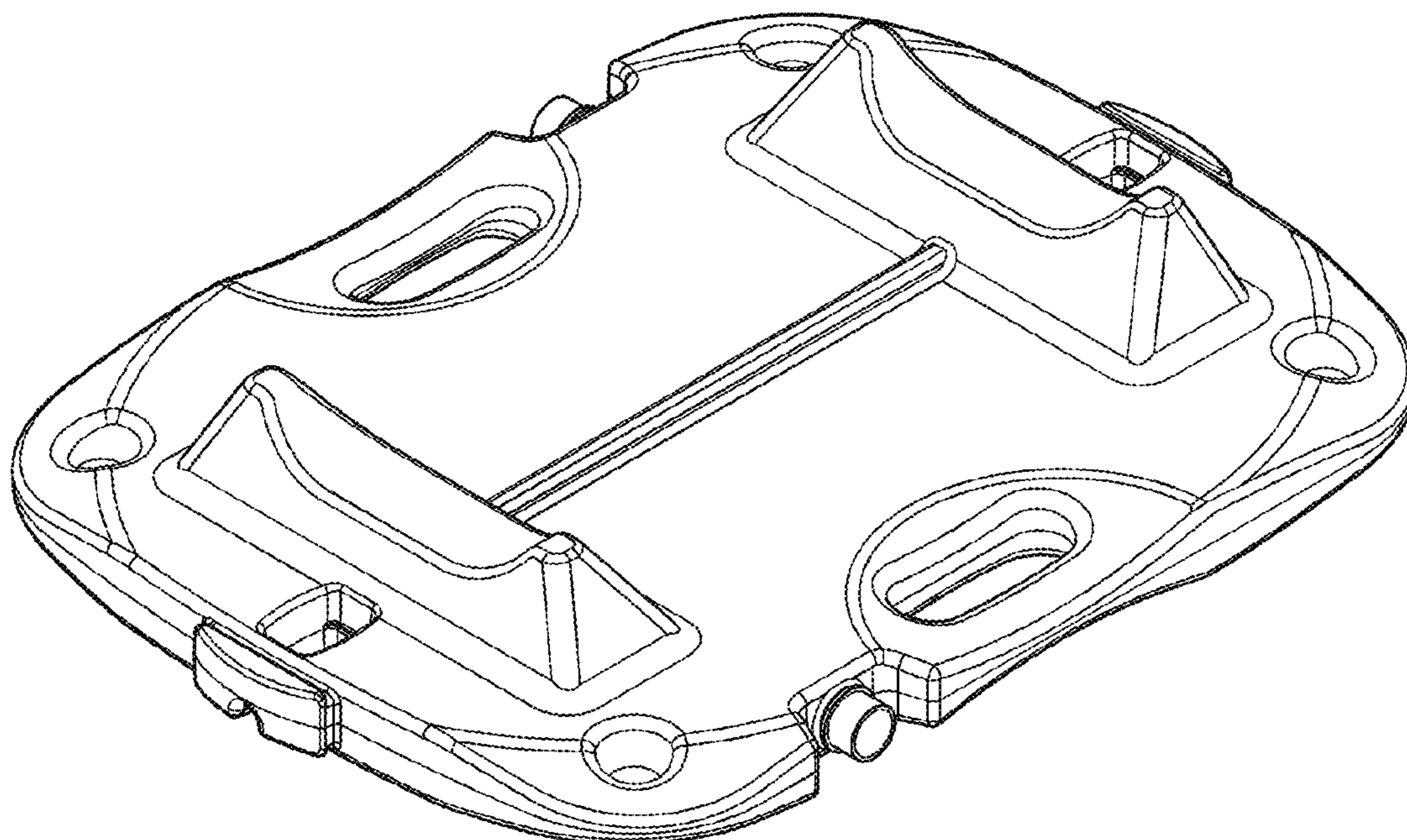
(57) **CLAIM**

The ornamental design for a float for an oyster basket, as shown and described.

DESCRIPTION

FIG. 1 is an upper perspective view of a float for an oyster basket, showing my new design;
FIG. 2 is a lower perspective view thereof;
FIG. 3 is a top view thereof;
FIG. 4 is a bottom view thereof;
FIG. 5 is a front elevation view thereof;
FIG. 6 is a rear elevation view thereof;
FIG. 7 is a left side elevation view thereof; and,
FIG. 8 is a right side elevation view thereof.

1 Claim, 8 Drawing Sheets



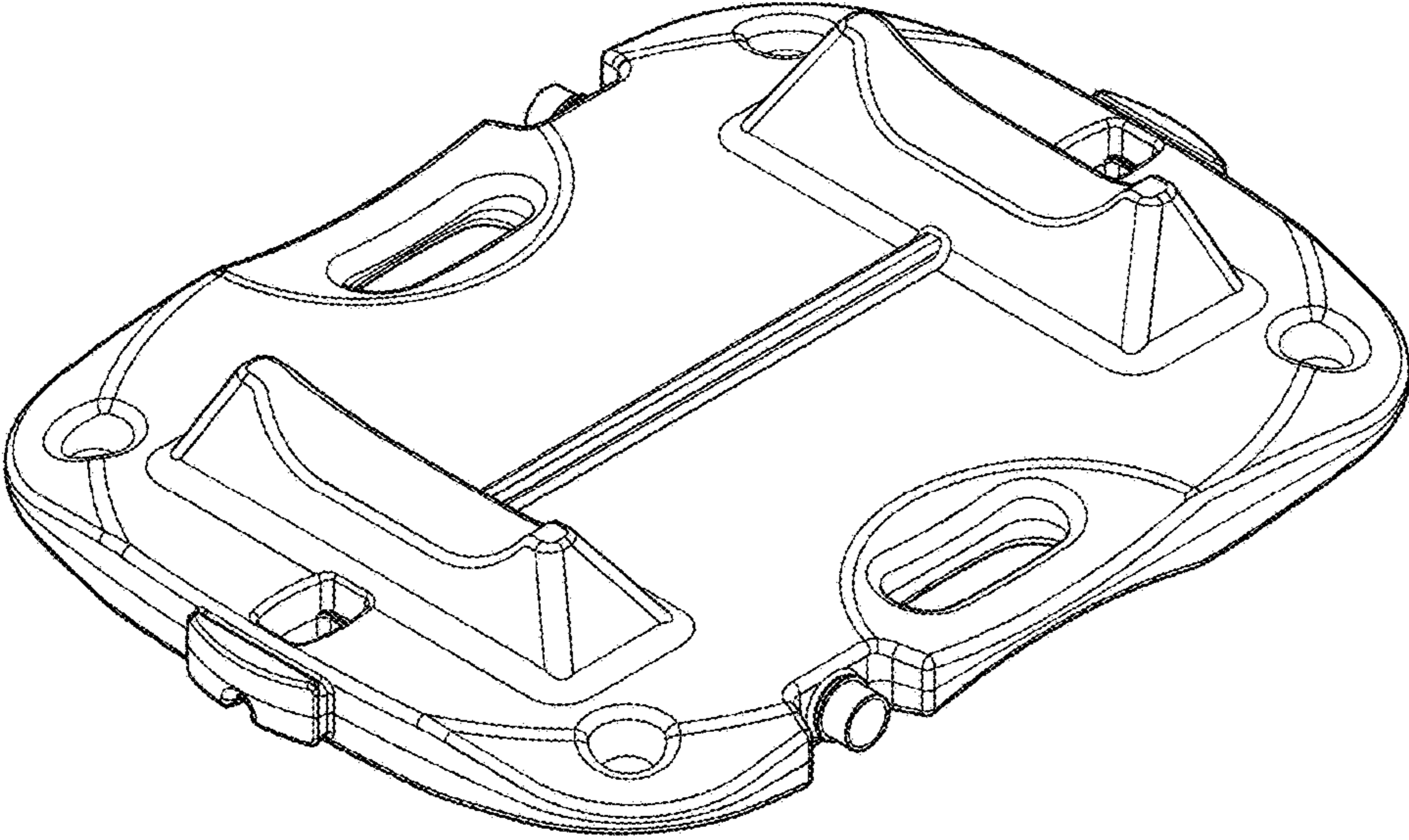


FIG. 1

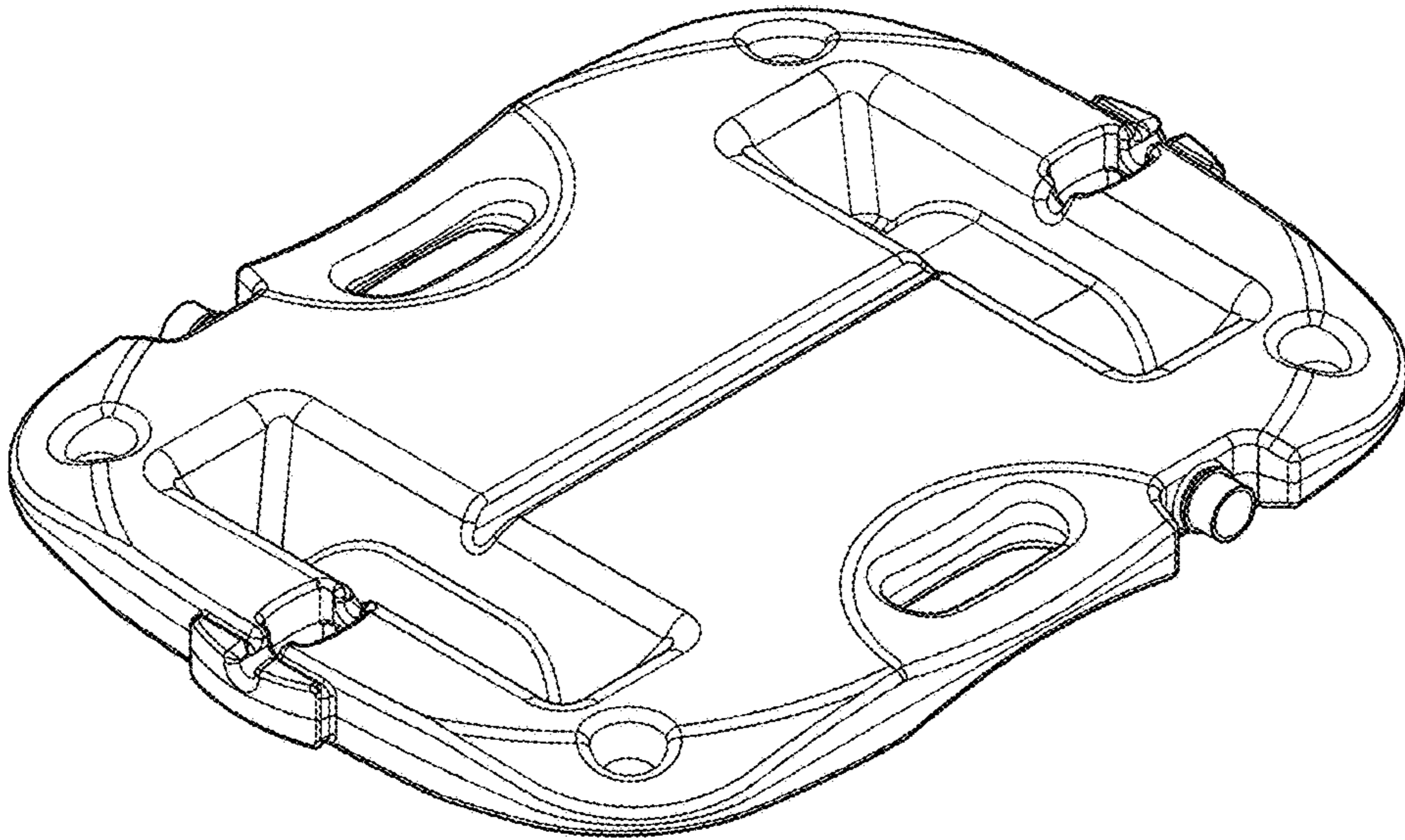


FIG. 2

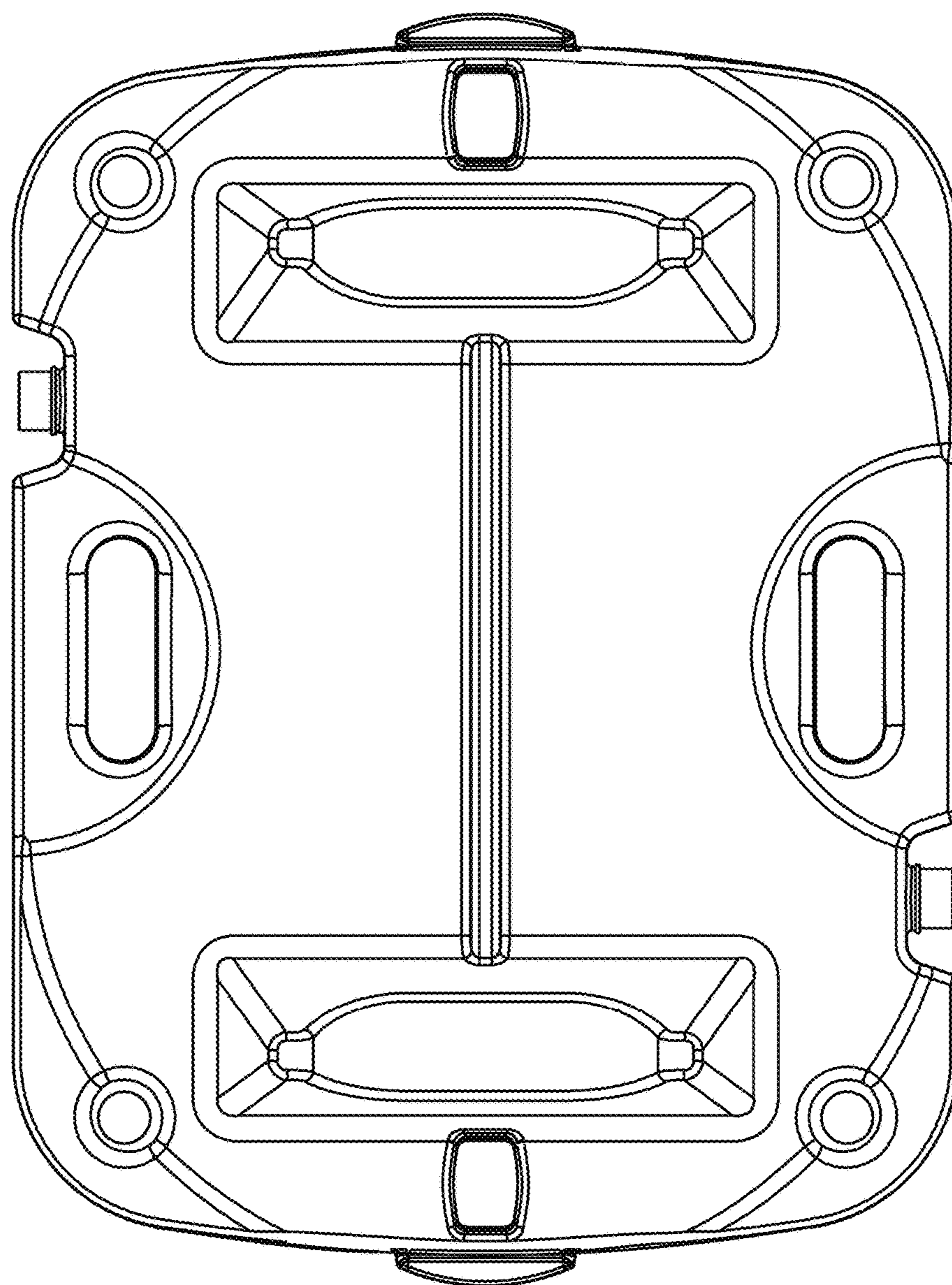


FIG. 3

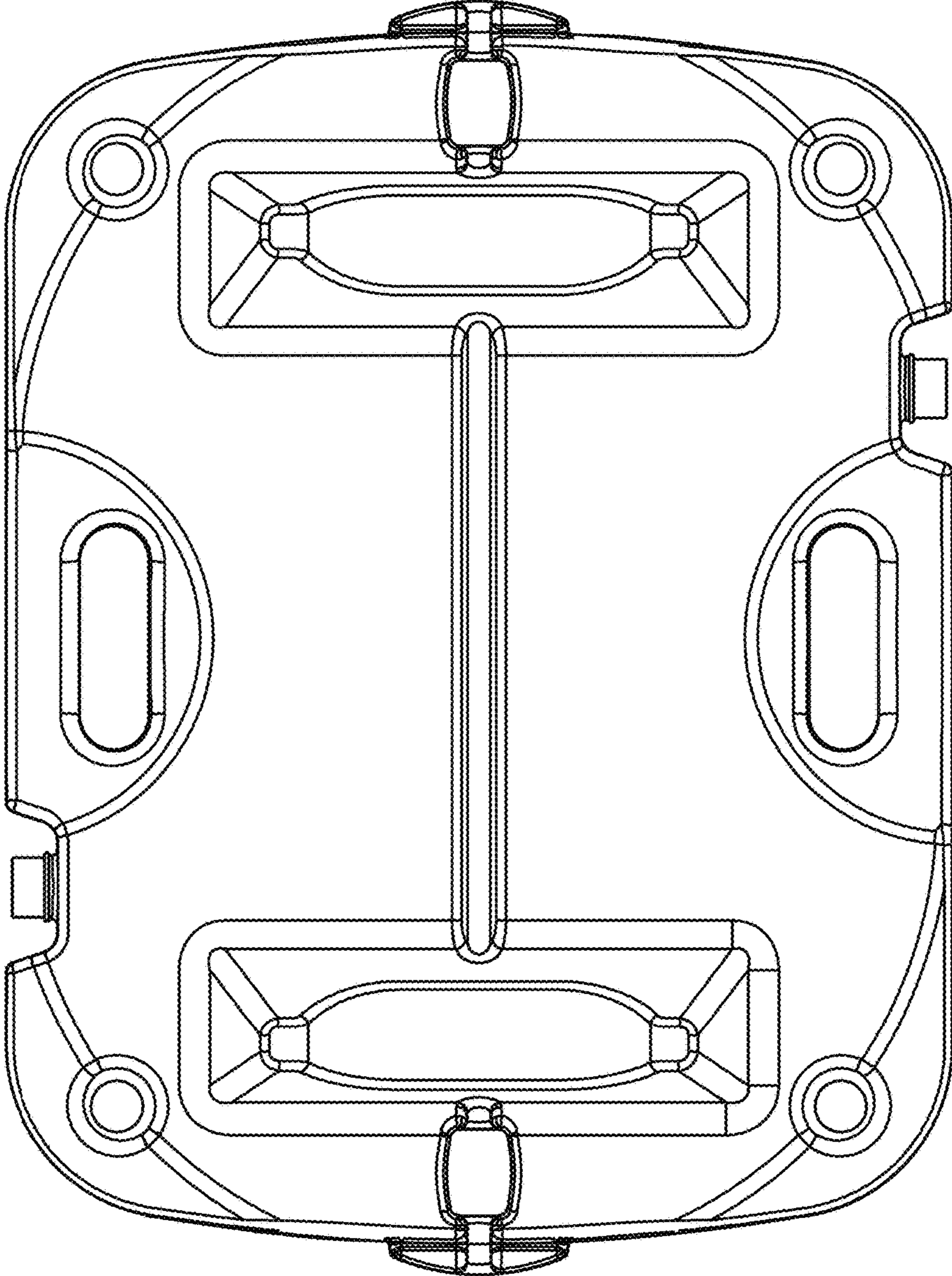


FIG. 4

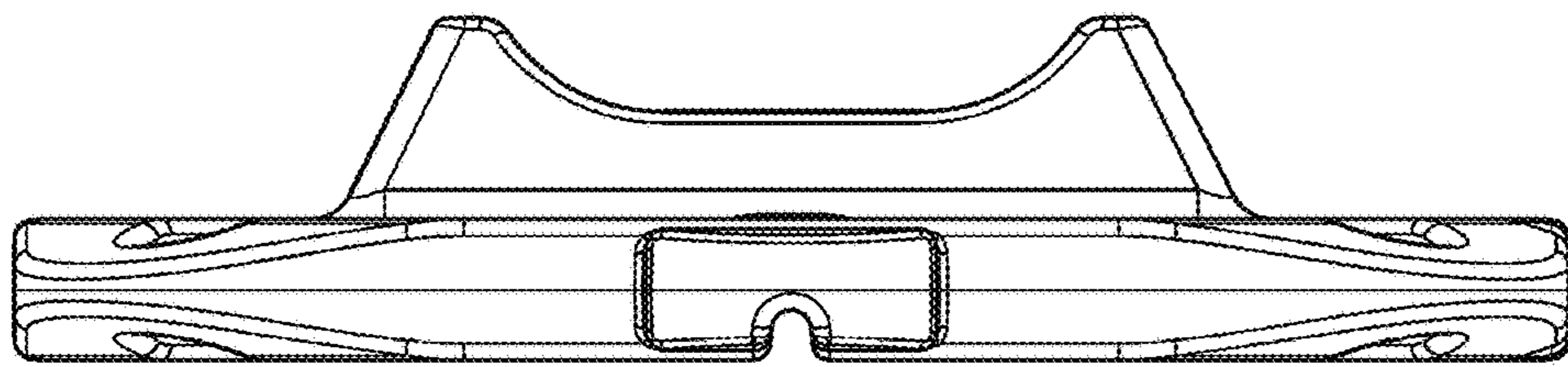


FIG. 5

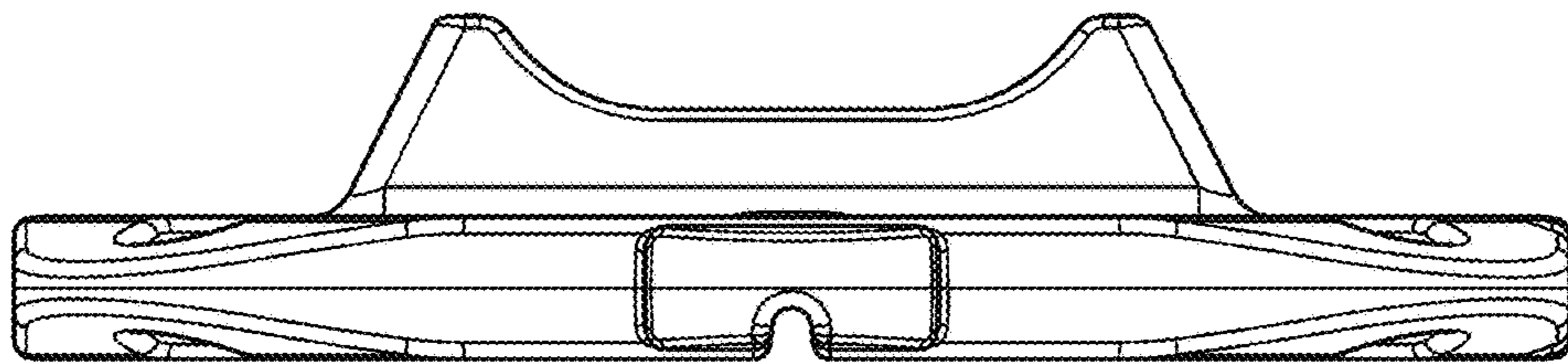


FIG. 6

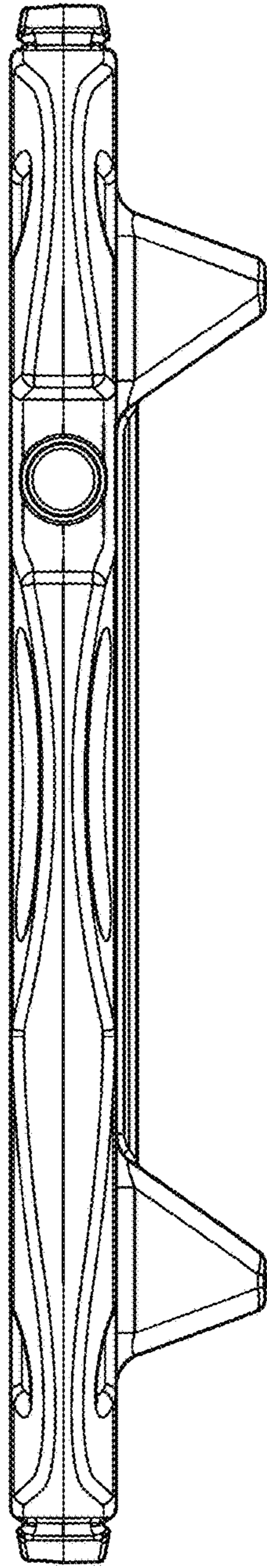


FIG. 7

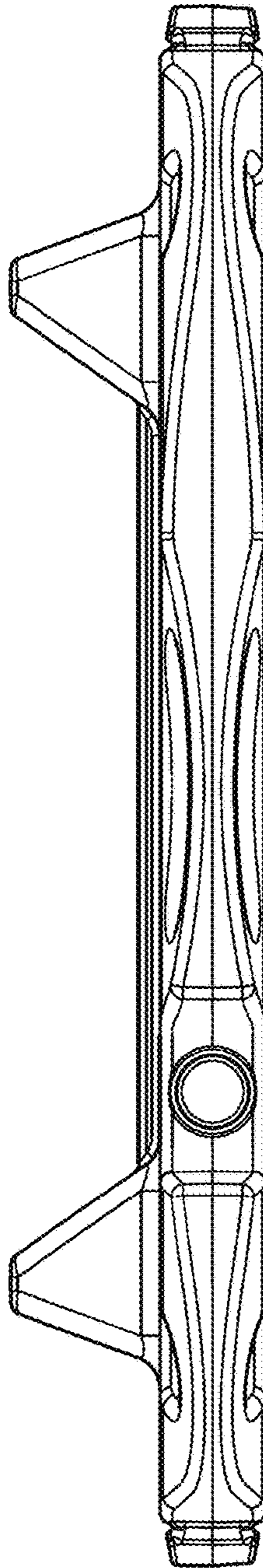


FIG. 8