



US00D816795S

(12) **United States Design Patent**
Vogl et al.

(10) **Patent No.:** **US D816,795 S**
(45) **Date of Patent:** **** May 1, 2018**

(54) **SPOTTING SCOPE**

(71) Applicant: **Carl Zeiss Sports Optics GmbH,**
Wetzlar (DE)

(72) Inventors: **Fabian Vogl,** Goldegg (AT); **Nils Radau,** Salzburg (AT)

(73) Assignee: **Carl Zeiss Sports Optics GmbH,**
Wetzlar (DE)

(**) Term: **15 Years**

(21) Appl. No.: **29/566,798**

(22) Filed: **Jun. 2, 2016**

(30) **Foreign Application Priority Data**

Dec. 8, 2015 (EP) 002899922

(51) **LOC (11) Cl.** **22-01**

(52) **U.S. Cl.**
USPC **D22/109; D16/132**

(58) **Field of Classification Search**
USPC D16/130-132; D22/108-109; D21/403,
D21/483, 514

(Continued)

(56) **References Cited**

U.S. PATENT DOCUMENTS

D285,802 S * 9/1986 Ogasawara D16/132
D288,210 S 2/1987 Mise

(Continued)

FOREIGN PATENT DOCUMENTS

CA 82344 8/1903
CA 93980 7/1905

(Continued)

Primary Examiner — Michael A. Pratt

(74) *Attorney, Agent, or Firm* — Walter Ottesen, P.A.

(57) **CLAIM**

The ornamental design for a spotting scope, as shown and described.

DESCRIPTION

FIG. 1 is a perspective view of a first embodiment of the spotting scope of our new design;

FIG. 2 is a top plan view of the spotting scope of FIG. 1; FIG. 3 is a bottom plan view of the spotting scope of FIG. 1;

FIG. 4 is a right side elevation view of the spotting scope of FIG. 1;

FIG. 5 is a left side elevation view of the spotting scope of FIG. 1;

FIG. 6 is a front elevation view of the spotting scope of FIG. 1;

FIG. 7 is a rear elevation view of the spotting scope of FIG. 1;

FIG. 8 is a perspective view of a second embodiment of the spotting scope of our new design;

FIG. 9 is a top plan view of the spotting scope of FIG. 8; FIG. 10 is a bottom plan view of the spotting scope of FIG. 8;

FIG. 11 is a right side elevation view of the spotting scope of FIG. 8;

FIG. 12 is a left side elevation view of the spotting scope of FIG. 8;

FIG. 13 is a front elevation view of the spotting scope of FIG. 8;

FIG. 14 is a rear elevation view of the spotting scope of FIG. 8;

FIG. 15 is a perspective view of a third embodiment of the spotting scope of our new design;

FIG. 16 is a top plan view of the spotting scope of FIG. 15; FIG. 17 is a bottom plan view of the spotting scope of FIG. 15;

FIG. 18 is a right side elevation view of the spotting scope of FIG. 15;

FIG. 19 is a left side elevation view of the spotting scope of FIG. 15;

FIG. 20 is a front elevation view of the spotting scope of FIG. 15; and,

(Continued)

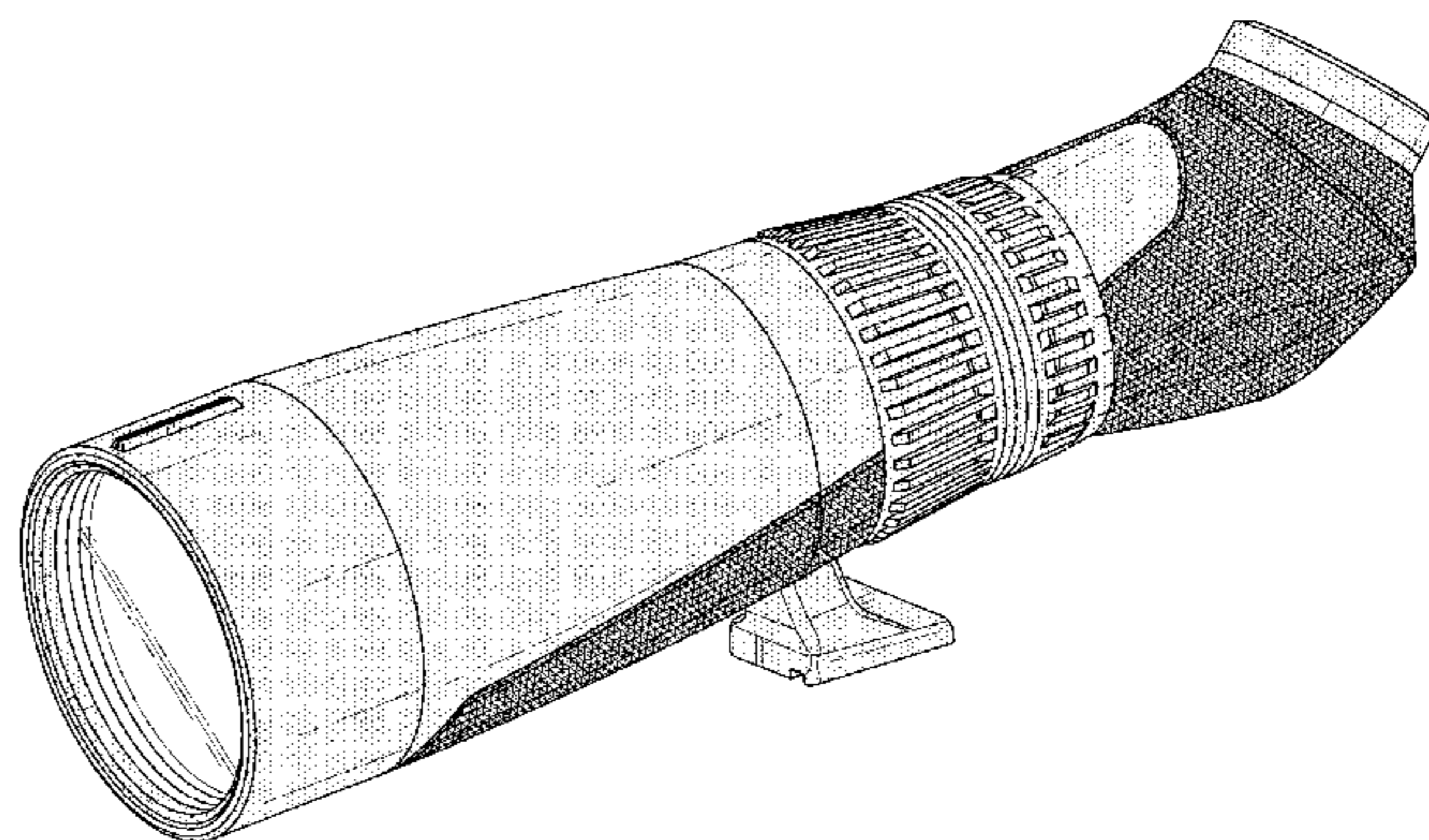
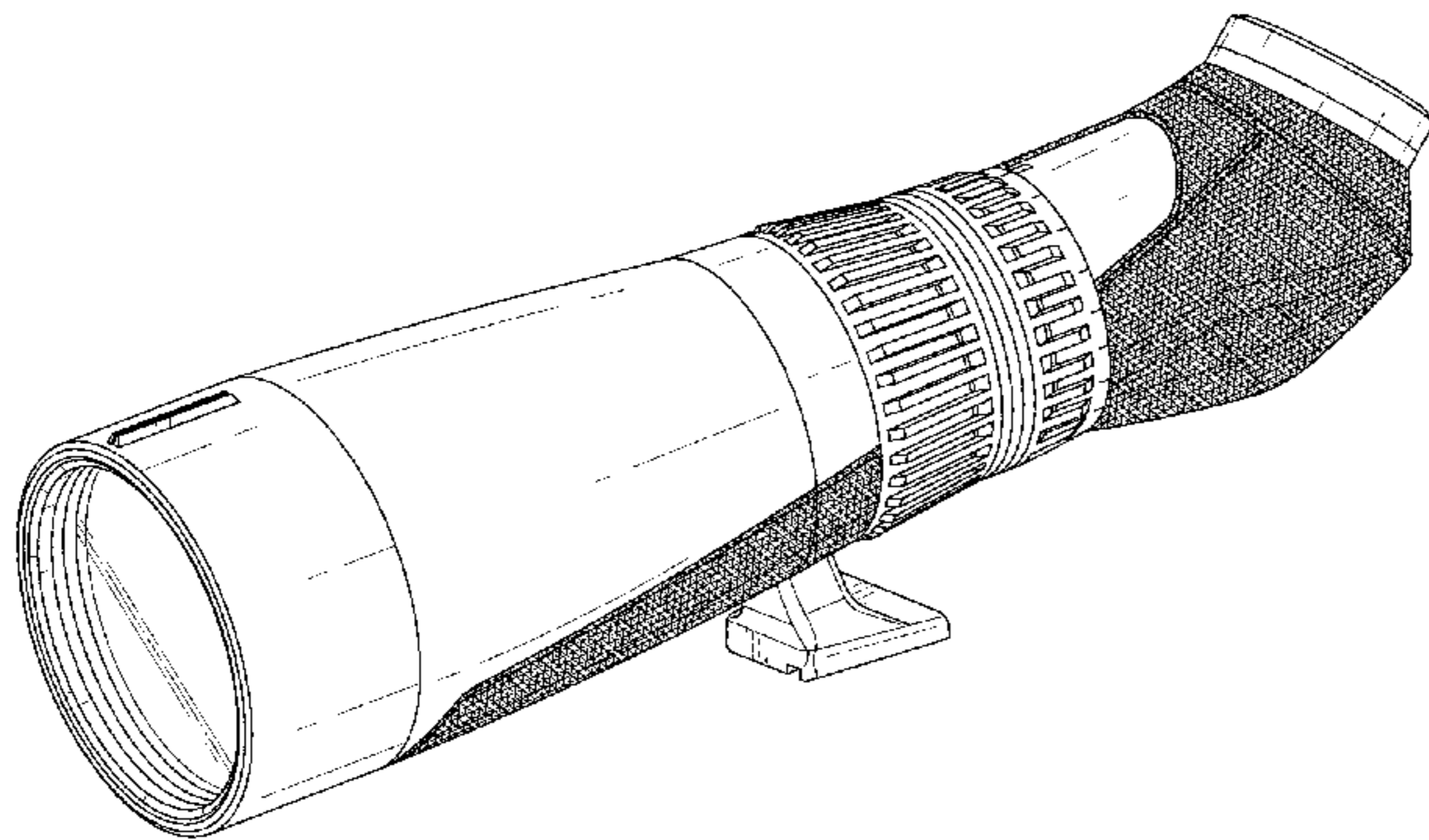


FIG. 21 is a rear elevation view of the spotting scope of FIG. 15.

1 Claim, 18 Drawing Sheets

(58) **Field of Classification Search**

CPC G02B 23/00
See application file for complete search history.

(56) **References Cited**

U.S. PATENT DOCUMENTS

D344,531 S	2/1994	Nemoto	
D390,583 S	2/1998	Diebel et al.	
D417,680 S	12/1999	Diebel et al.	
D439,259 S	3/2001	Yamaguchi	
D454,898 S *	3/2002	Ogasawara	D16/132
D479,255 S *	9/2003	Hamamura	D16/132
D482,709 S *	11/2003	Meinzer	D16/132
D490,097 S	5/2004	Regan et al.	
D508,252 S	8/2005	Koinuma	
D512,449 S	12/2005	Regan et al.	
D519,537 S	4/2006	Regan et al.	
D528,574 S	9/2006	Koinuma	
D532,803 S	11/2006	Regan et al.	
D534,193 S	12/2006	Ono	
D572,740 S	7/2008	Kitera	

D587,290 S *	2/2009	Meinzer	D16/132
D594,493 S *	6/2009	Chujo	D16/132
D674,831 S	1/2013	Wunnicke et al.	
D676,886 S *	2/2013	Hoshi	D16/132
D685,831 S	7/2013	Wunnicke et al.	
D686,264 S *	7/2013	Hoshi	D16/132
D695,326 S *	12/2013	Hoelbl	D16/132
D695,327 S *	12/2013	Hoelbl	D16/132
D724,129 S *	3/2015	Marsiglia	D16/132
D731,571 S *	6/2015	Imamizu	D16/132
D732,097 S *	6/2015	Imamizu	D16/132
D732,592 S *	6/2015	Imamizu	D16/132
D791,852 S	7/2017	Harding et al.	

FOREIGN PATENT DOCUMENTS

CN	000059613-0001	11/2003
CN	302944121	9/2014
CN	303298496	7/2015
EM	000059613-0002	11/2003
EM	000059613-0003	11/2003
EM	000059613-0004	11/2003
EM	001186159-0001	2/2010
EM	001186159-0002	2/2010
EM	001403398-0001	3/2014
EM	001403398-0002	3/2014
GB	2086140	2/1999
WO	D060297-0001	5/2002
WO	D060297-0002	5/2002

* cited by examiner

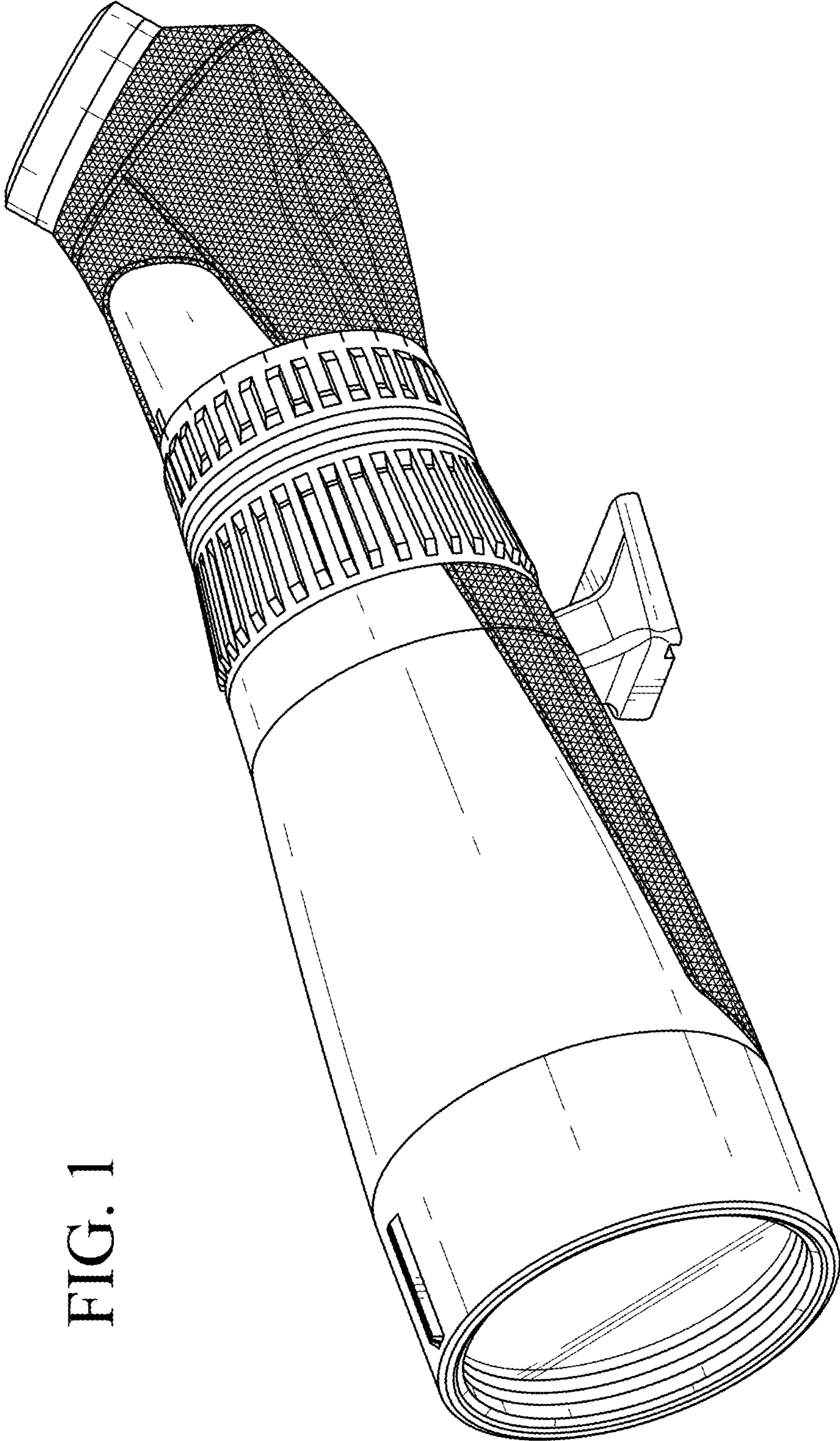


FIG. 1

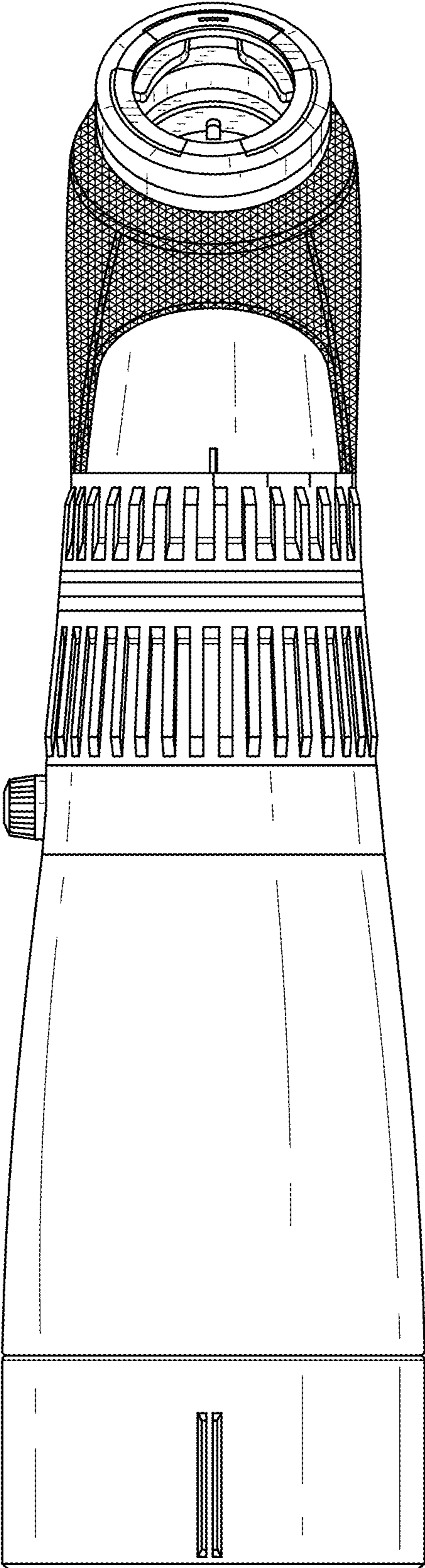


FIG. 2

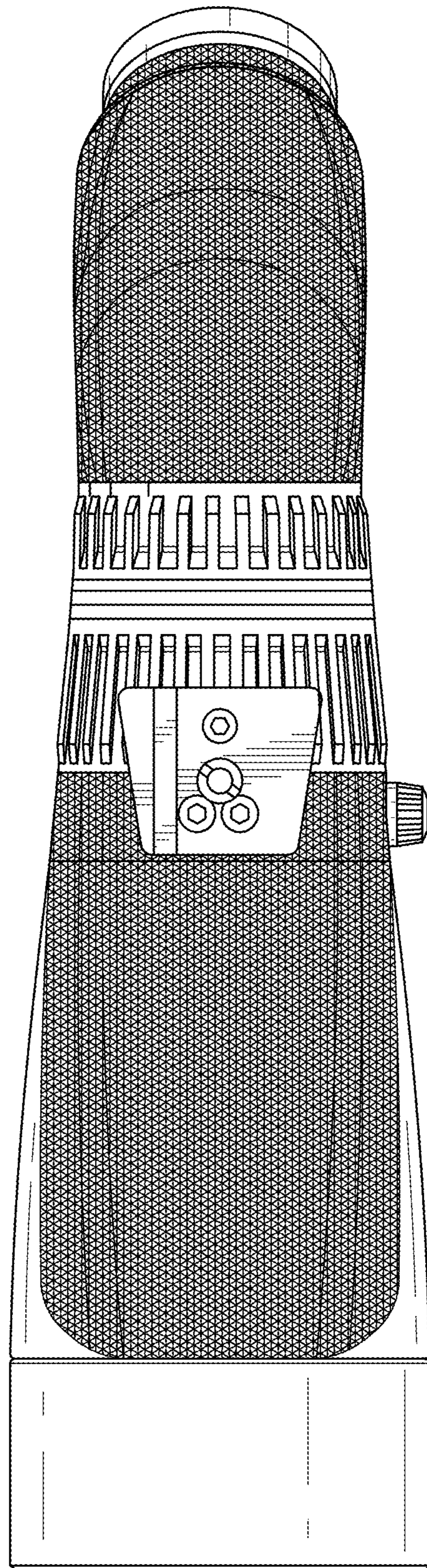


FIG. 3

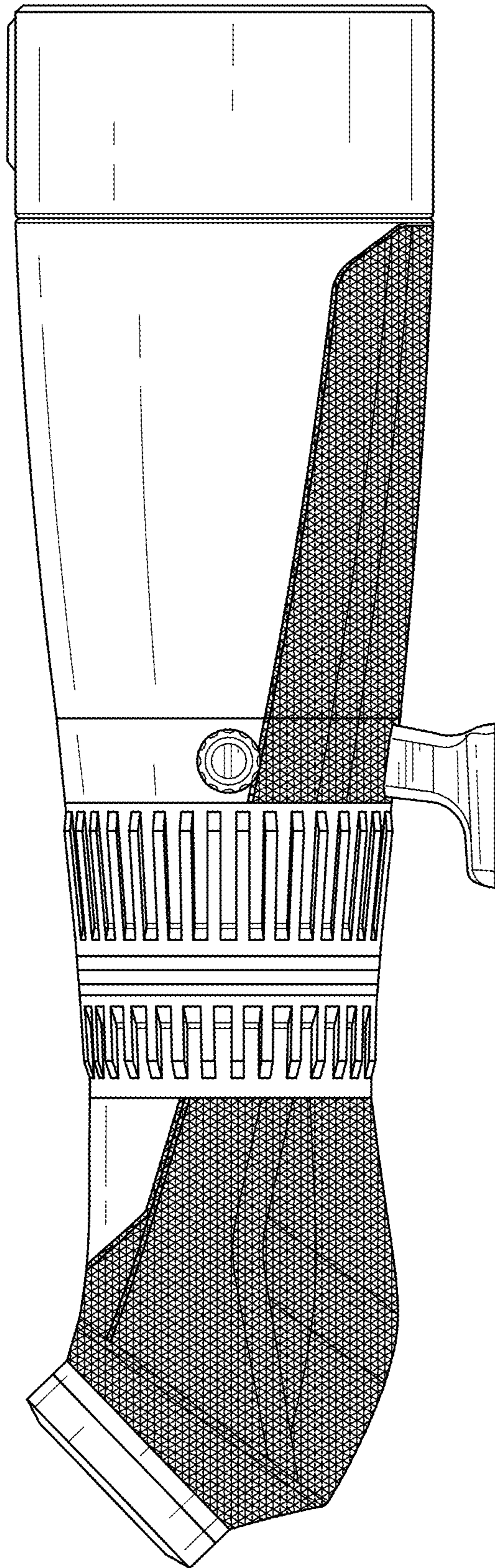


FIG. 4

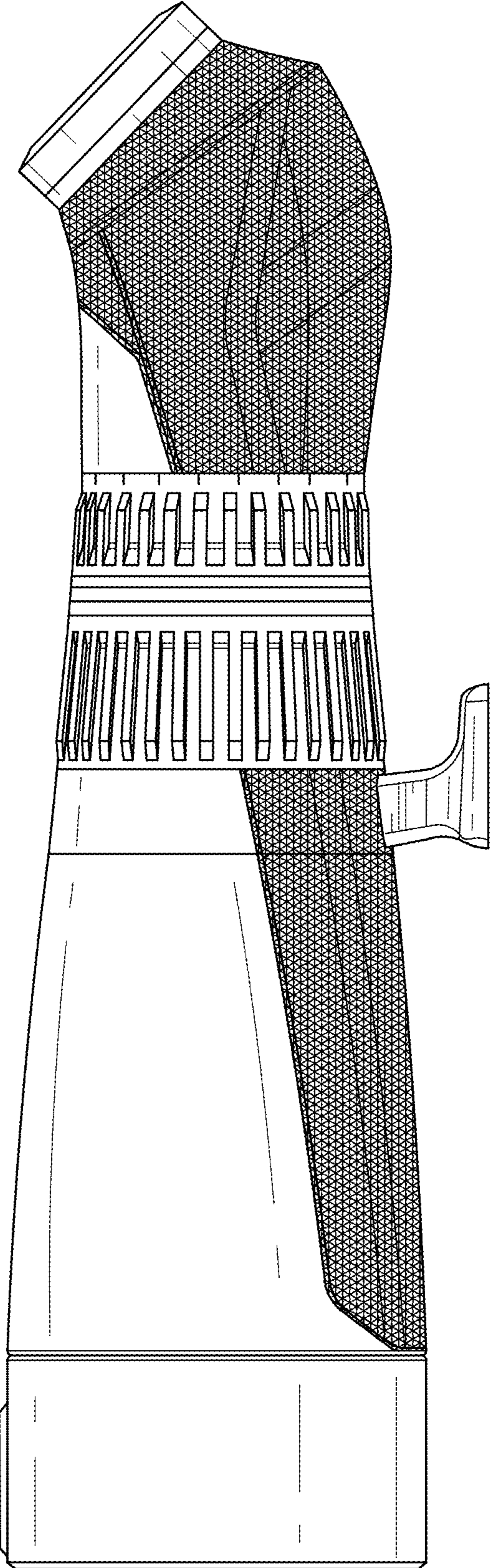


FIG. 5

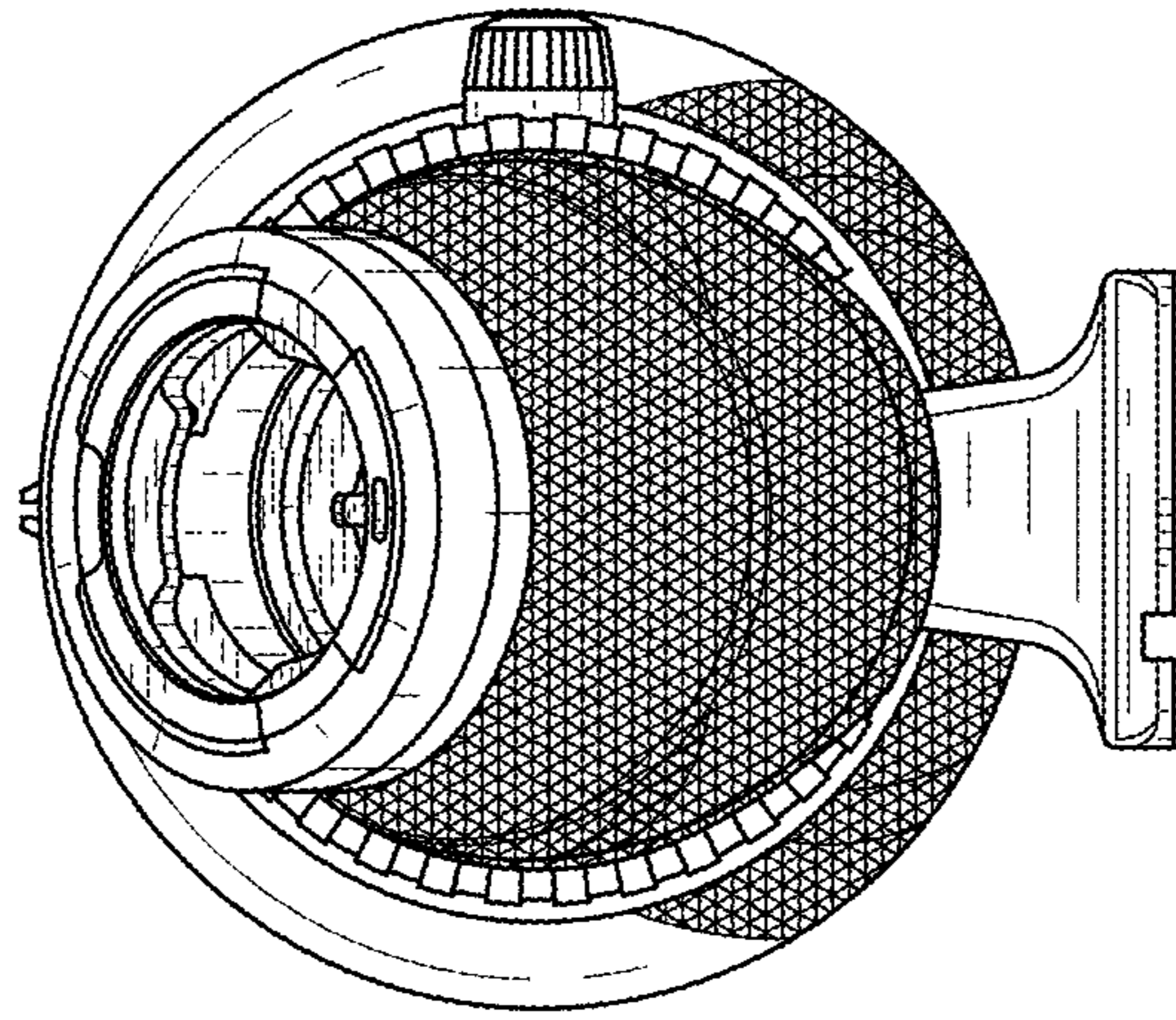


FIG. 7

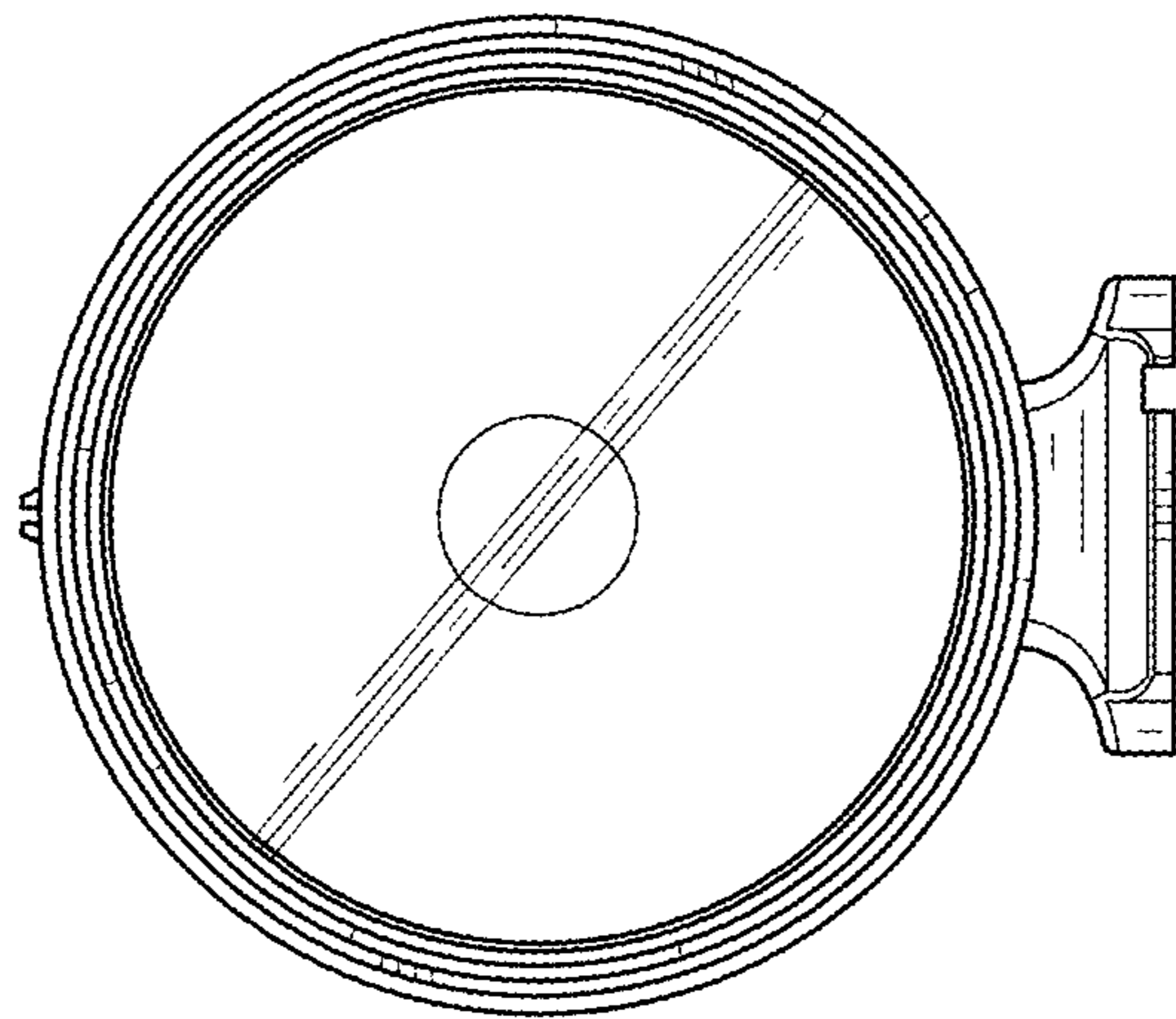


FIG. 6

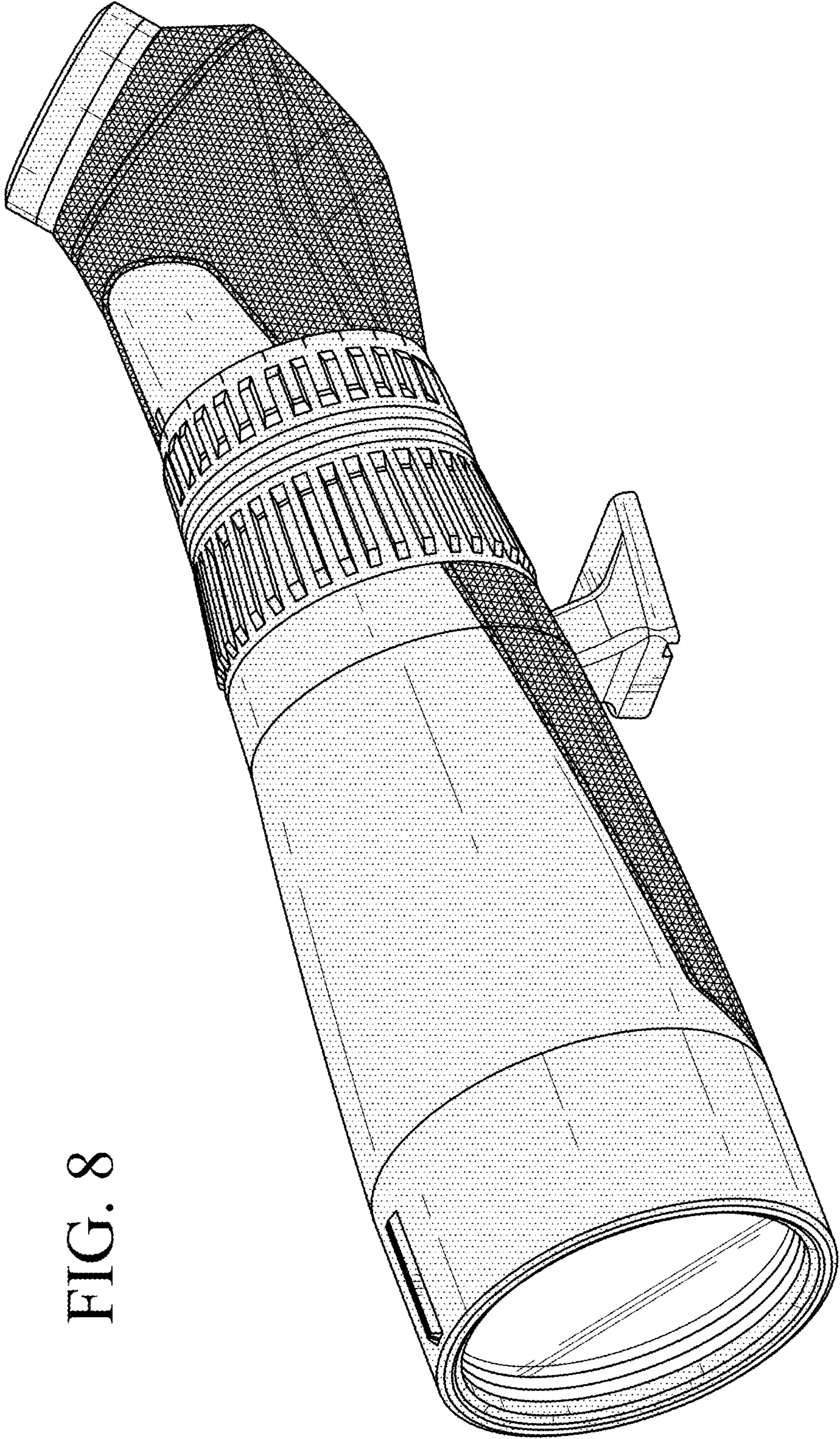


FIG. 8

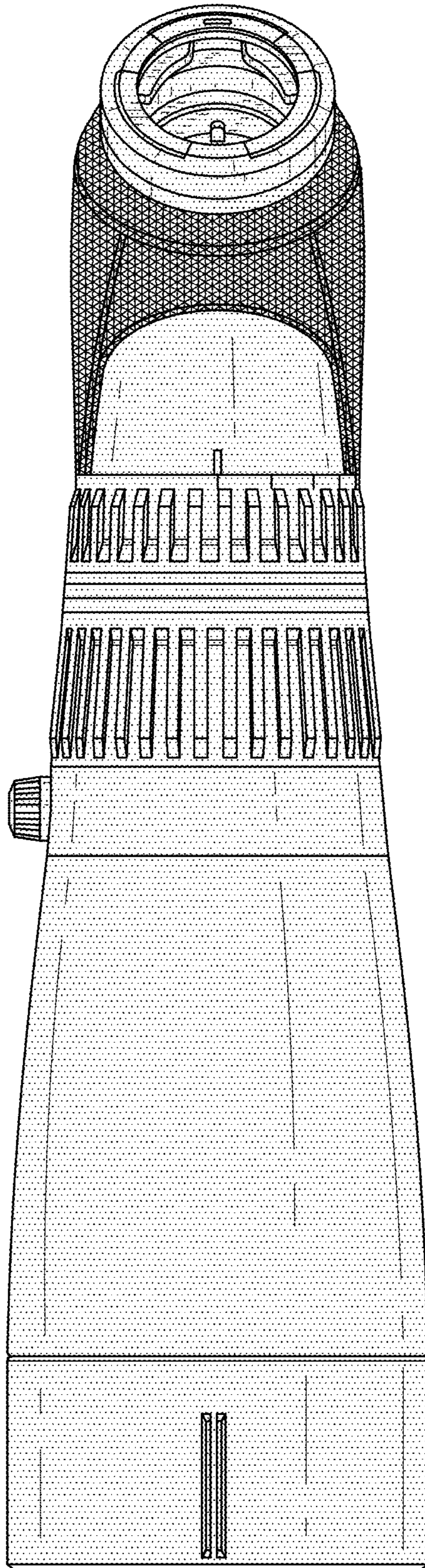


FIG. 9

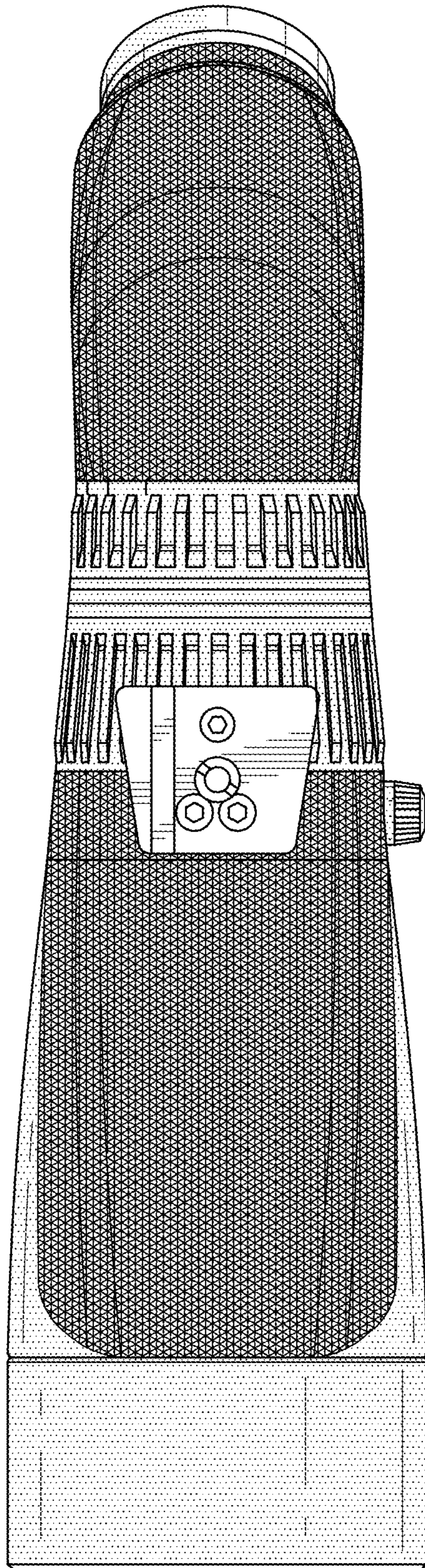


FIG. 10

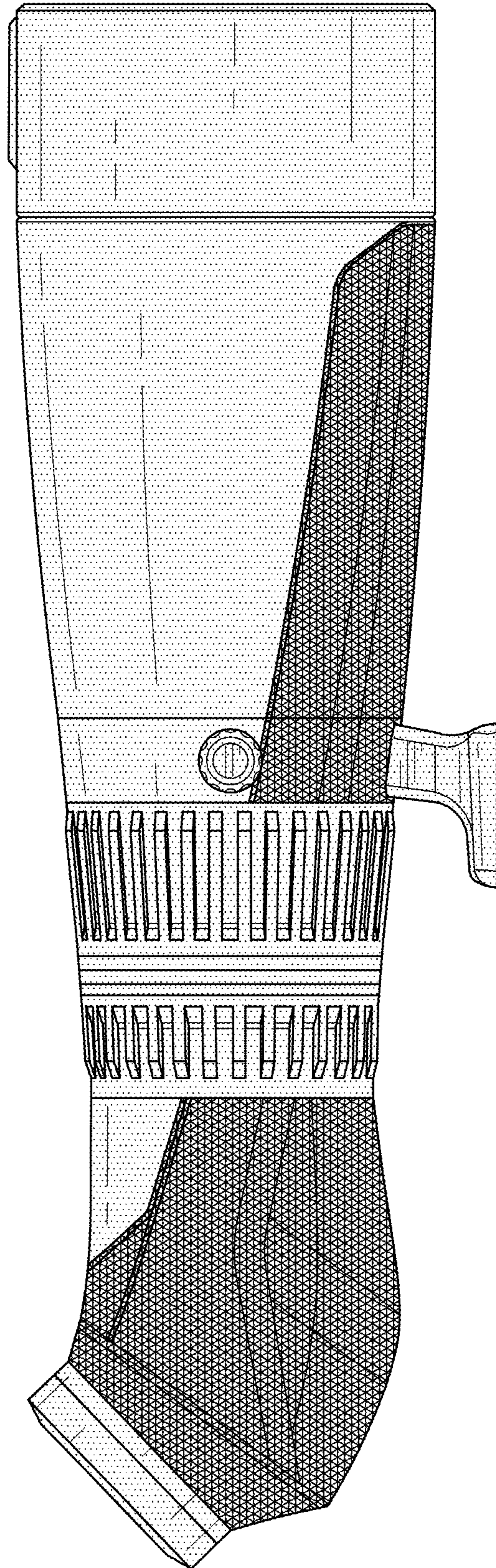


FIG. 11

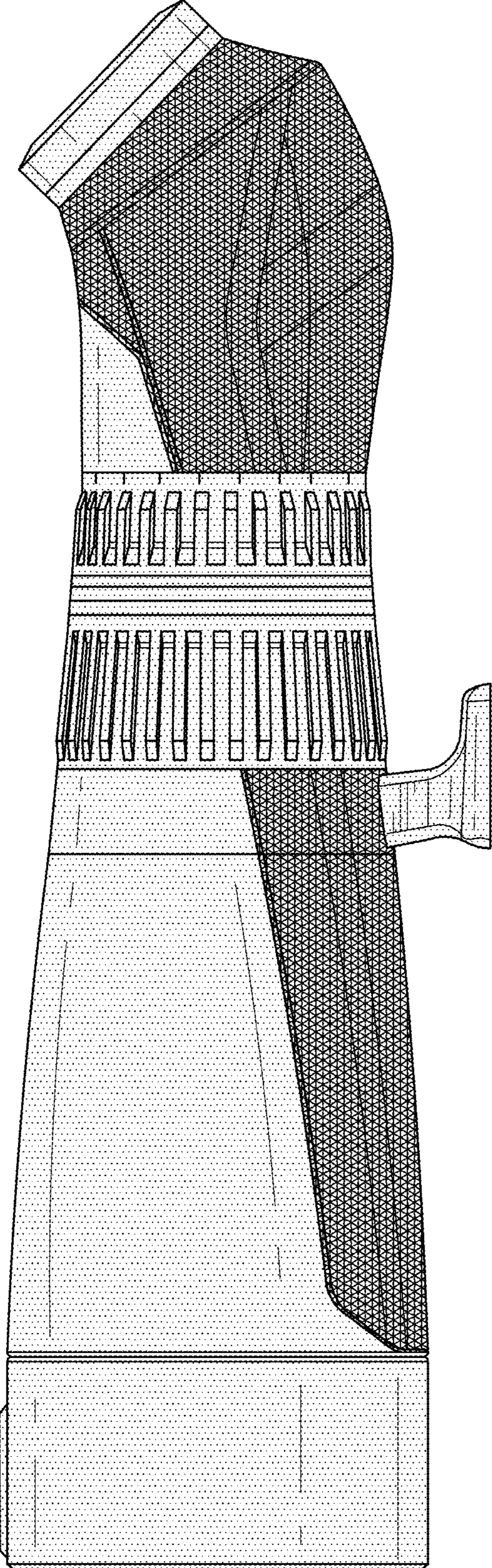


FIG. 12

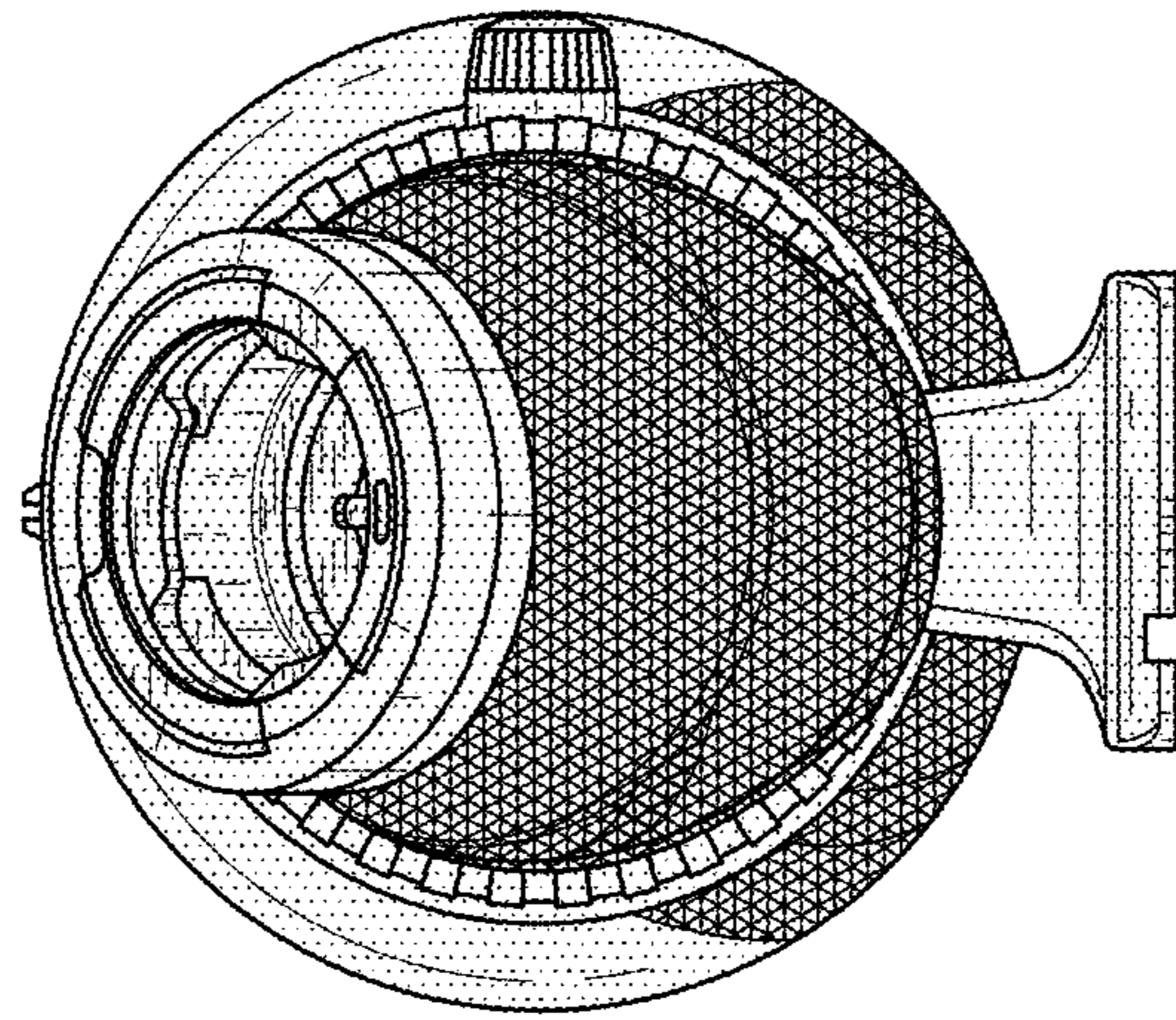


FIG. 14

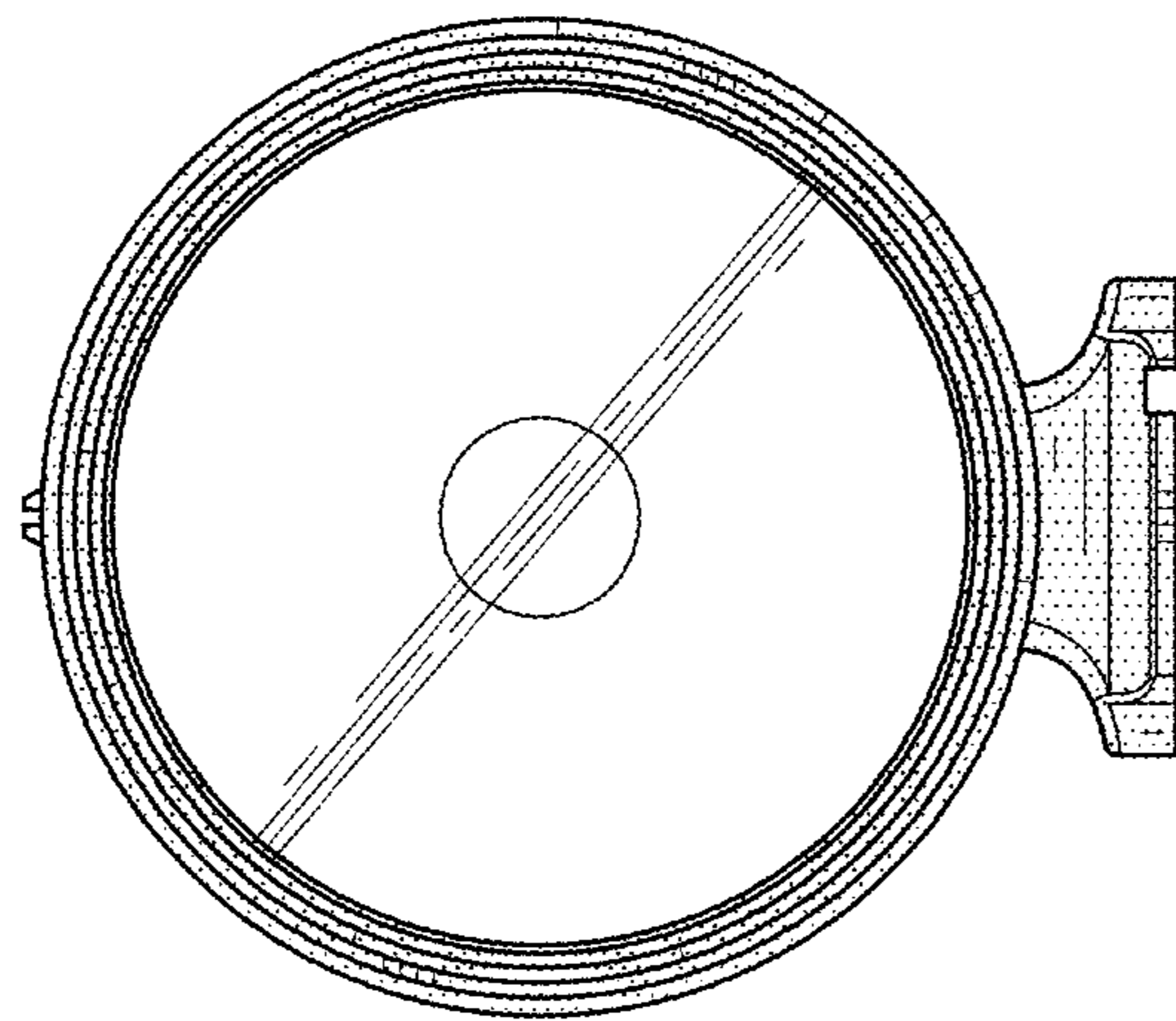


FIG. 13

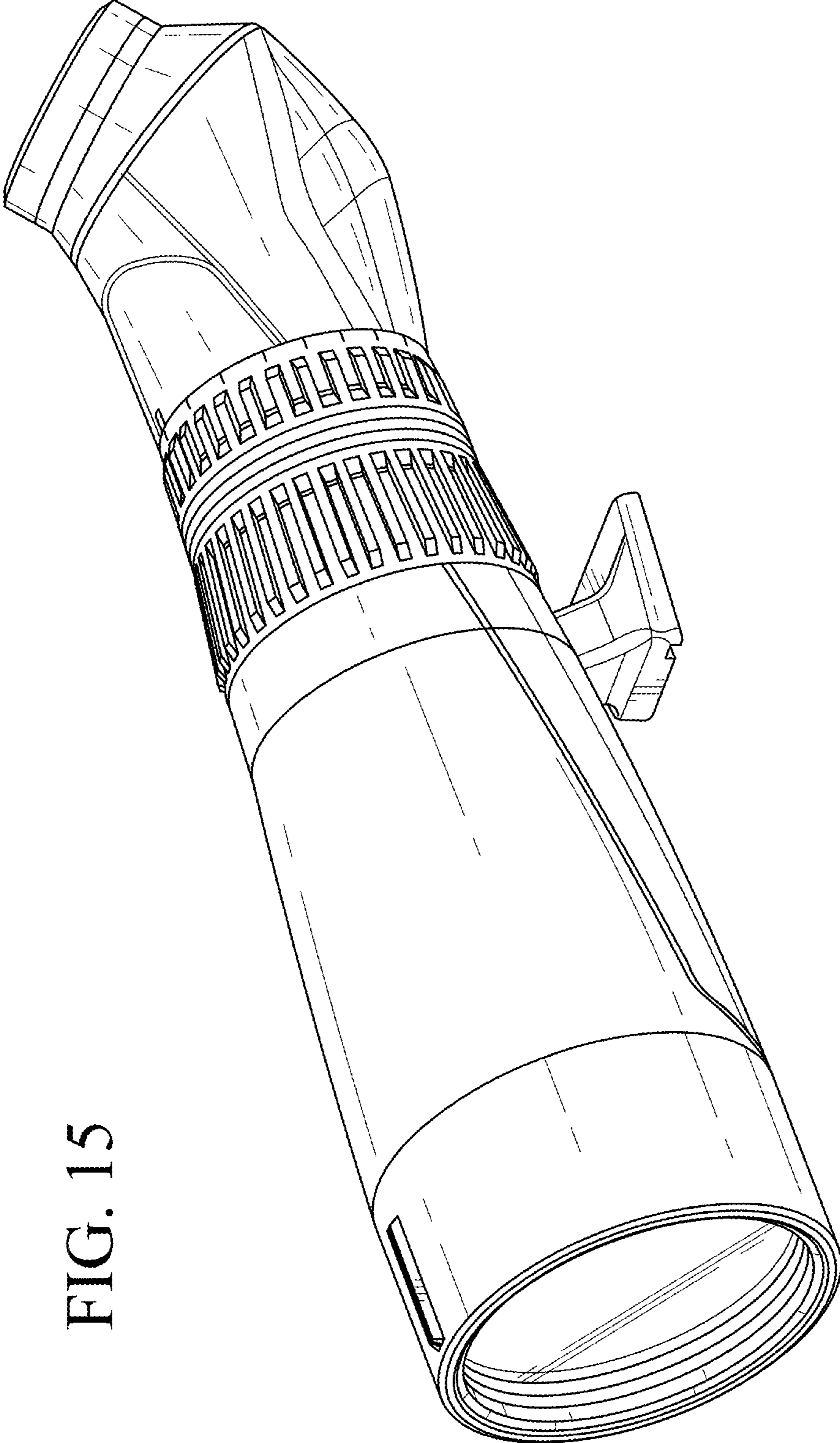


FIG. 15

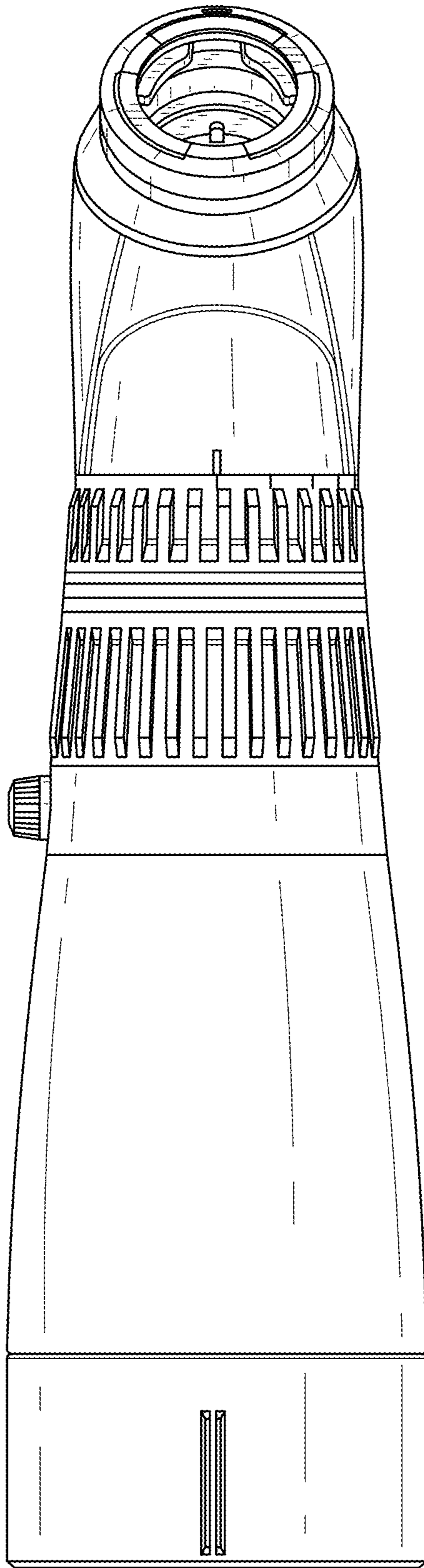


FIG. 16

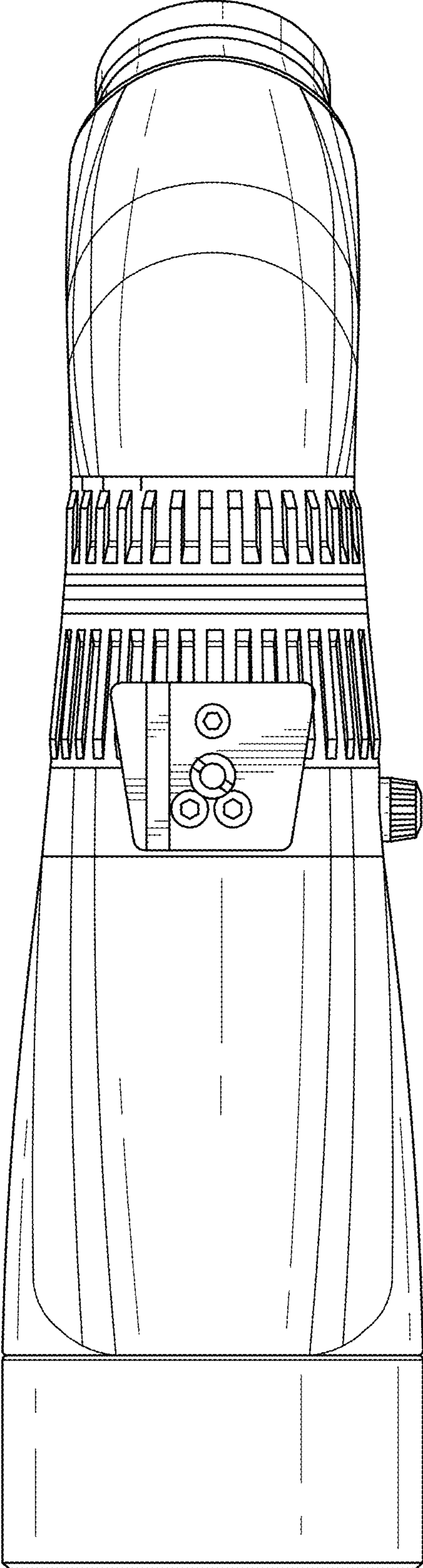


FIG. 17

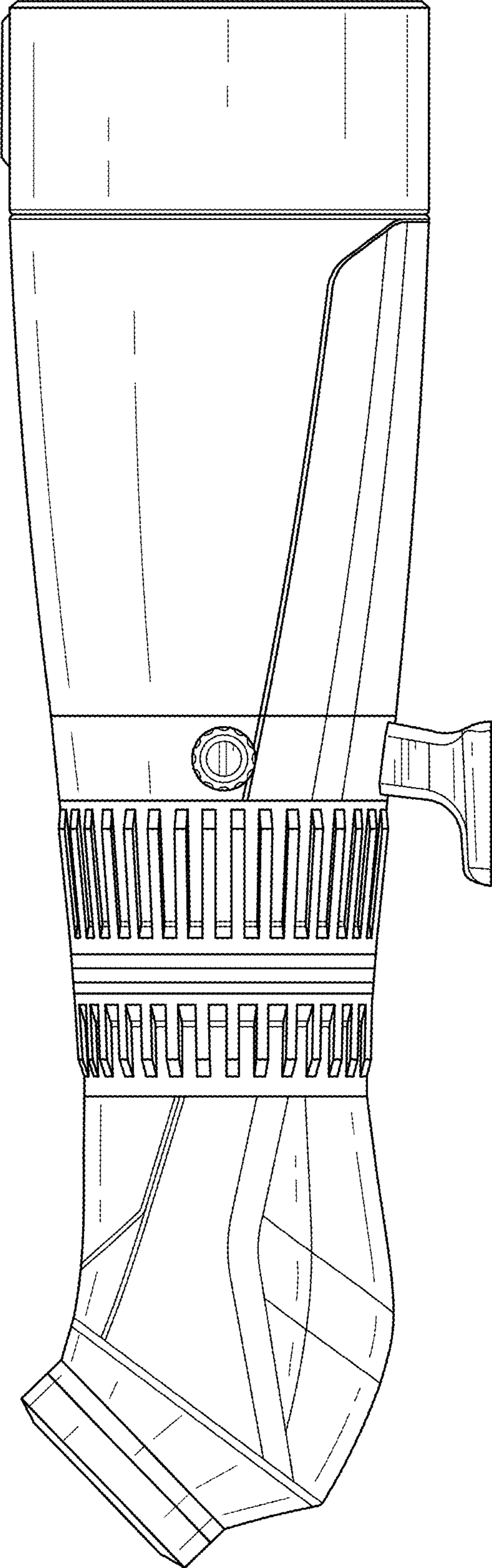


FIG. 18

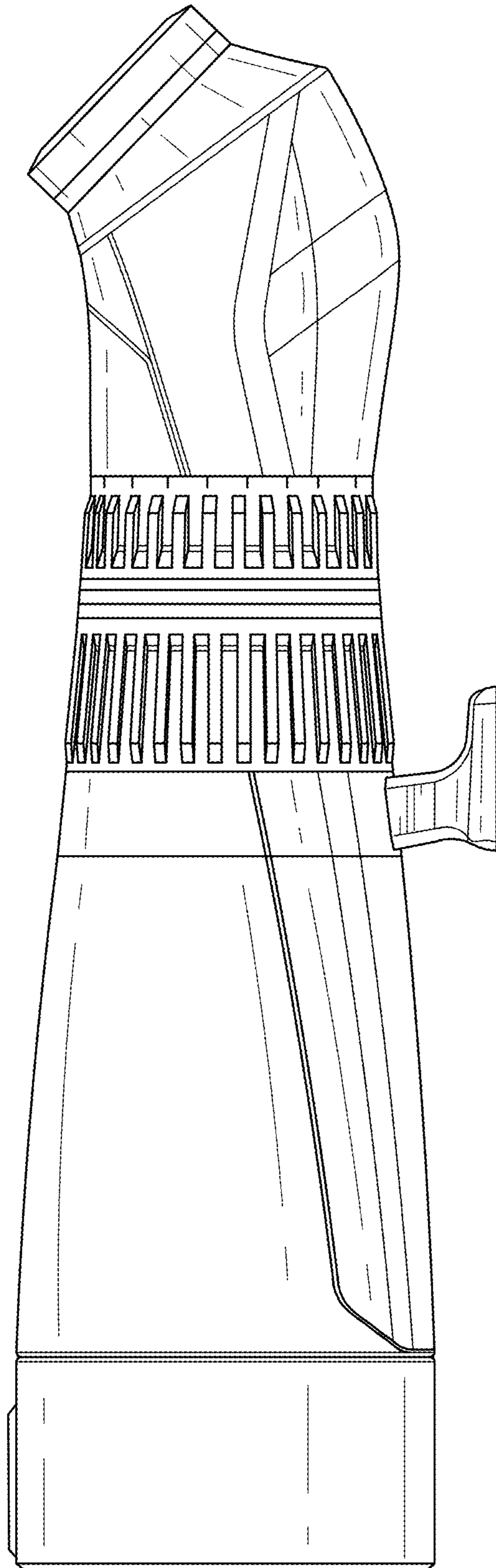


FIG. 19

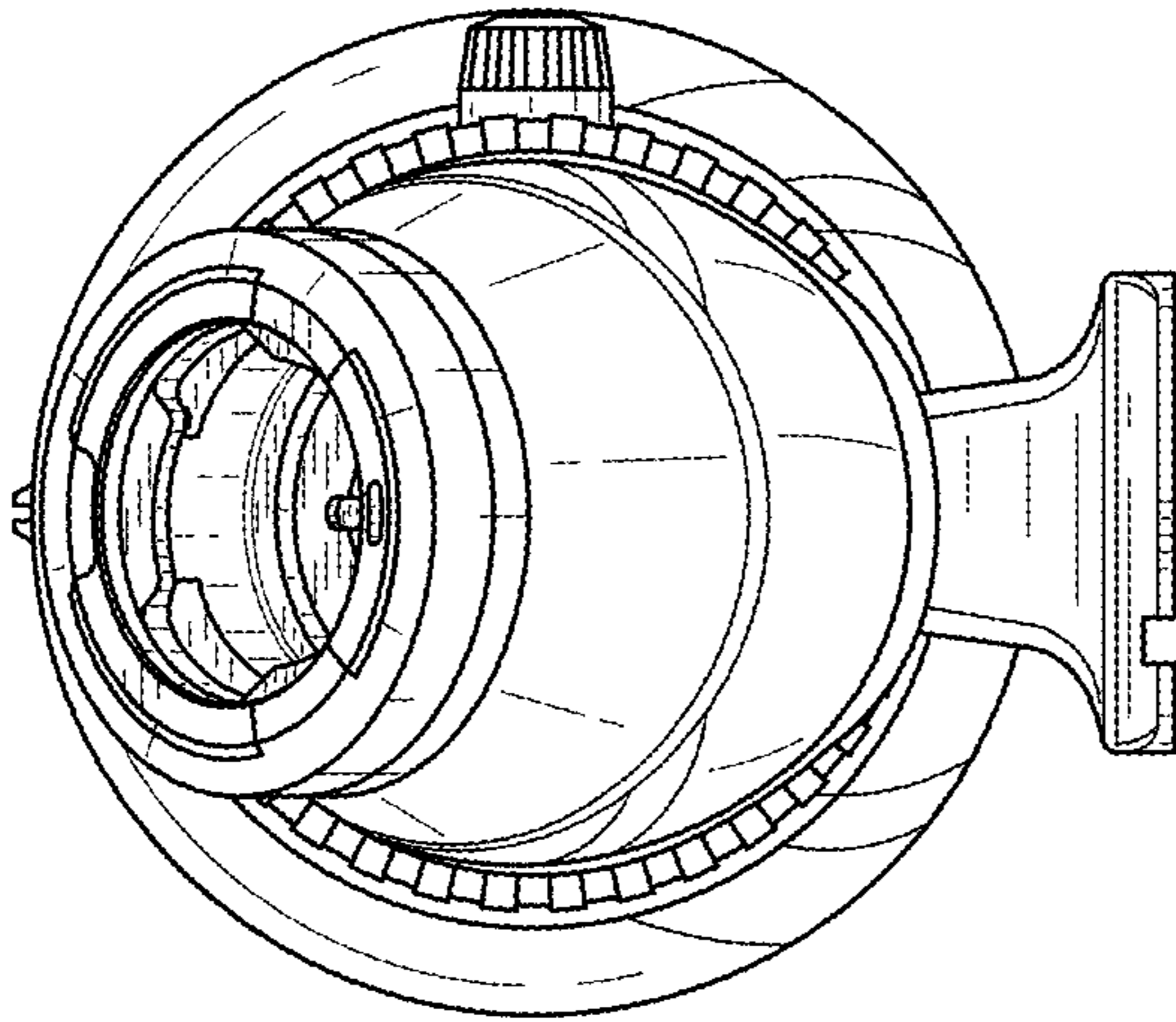


FIG. 21

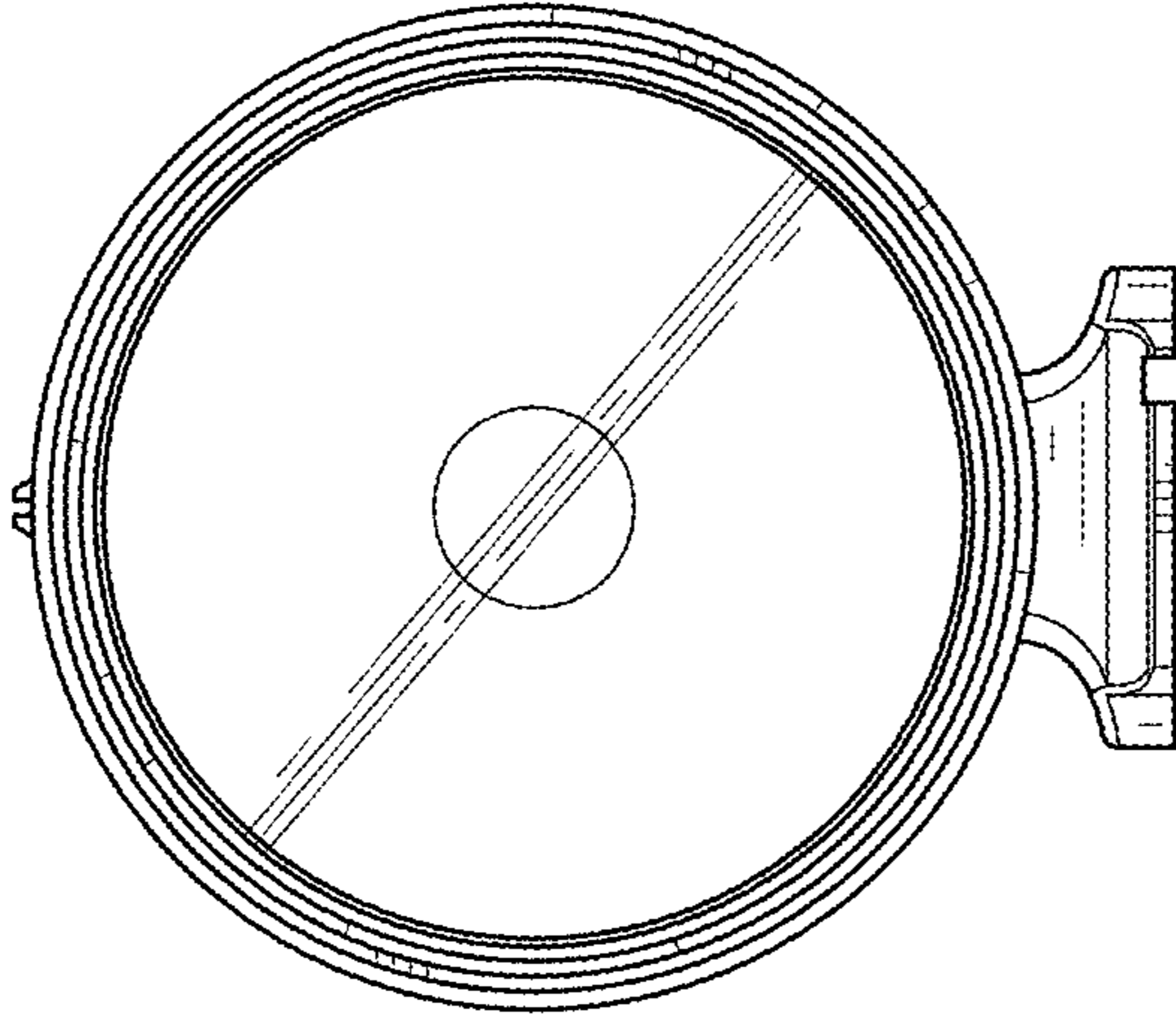


FIG. 20

UNITED STATES PATENT AND TRADEMARK OFFICE
CERTIFICATE OF CORRECTION

PATENT NO. : D816,795 S
APPLICATION NO. : 29/566798
DATED : May 1, 2018
INVENTOR(S) : Fabian Vogl

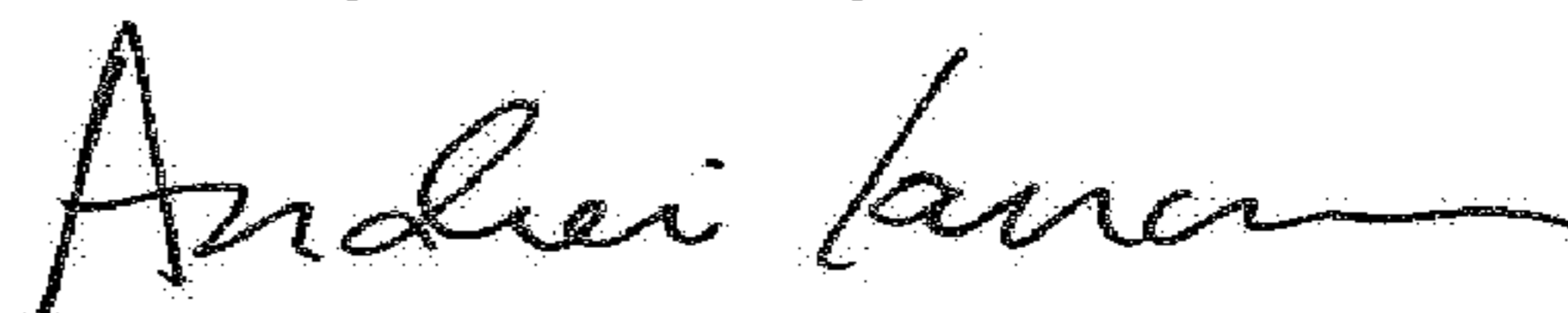
Page 1 of 1

It is certified that error appears in the above-identified patent and that said Letters Patent is hereby corrected as shown below:

On the Title Page

Item [56], delete "CN 000059613-0001" and insert -- EU 000059613-0001 -- therefor.

Signed and Sealed this
Twenty-sixth Day of June, 2018



Andrei Iancu
Director of the United States Patent and Trademark Office