

US00D816793S

(12) **United States Design Patent**
McCallum et al.

(10) **Patent No.:** **US D816,793 S**

(45) **Date of Patent:** **** May 1, 2018**

(54) **MAGAZINE BRACKET**

(71) Applicant: **Palmetto State Armory, LLC,**
Columbia, SC (US)

(72) Inventors: **Jamin McCallum,** Lexington, SC (US);
Paul Wolfe, Lexington, SC (US)

(**) Term: **15 Years**

(21) Appl. No.: **29/569,728**

(22) Filed: **Jun. 30, 2016**

(51) **LOC (11) Cl.** **22-01**

(52) **U.S. Cl.**
USPC **D22/108**

(58) **Field of Classification Search**
USPC D22/103, 108; D21/572-575
CPC F41C 23/10; F41C 23/14; F41C 23/16;
F41C 23/18; F41C 23/00; F41C 27/00;
F41C 27/06; F41A 5/18; F41A 5/24;
F41A 21/28

See application file for complete search history.

(56) **References Cited**

U.S. PATENT DOCUMENTS

4,594,934	A *	6/1986	Holstein	F41A 19/02 89/129.02
D600,771	S *	9/2009	Fitzpatrick	D22/108
D623,718	S *	9/2010	Peterson	D22/108
D626,618	S *	11/2010	Peterson	D22/103
D636,832	S *	4/2011	Mayberry	D22/108
8,572,875	B2 *	11/2013	Sisgold	F41A 9/66 42/1.02
8,683,725	B2 *	4/2014	Munson	F41A 17/38 42/6
D713,483	S *	9/2014	Firpo, I	D22/108

D727,456	S *	4/2015	Schefter	D22/108
9,133,606	B2 *	9/2015	Ericksen	F16K 27/12
D746,936	S *	1/2016	Huang	D22/108
D760,860	S *	7/2016	Vincent	D22/108
D765,211	S *	8/2016	Huang	D22/108
9,404,709	B2 *	8/2016	Addis	F41A 17/38
9,482,480	B2 *	11/2016	O'Dell	F41A 17/36
D773,585	S *	12/2016	Miller, III	D22/108
D778,384	S *	2/2017	Zlobin	D22/103
D782,596	S *	3/2017	Angstadt	D22/108
9,612,067	B2 *	4/2017	Boyarkin	F41A 19/09
9,612,069	B2 *	4/2017	Bennett	F41A 9/70
9,651,323	B1 *	5/2017	Mantas	F41A 3/86
9,777,975	B2 *	10/2017	Folkestad, II	F41A 3/66

* cited by examiner

Primary Examiner — Michael A. Pratt

(74) *Attorney, Agent, or Firm* — McNair Law Firm, P.A.;
Douglas L. Lineberry

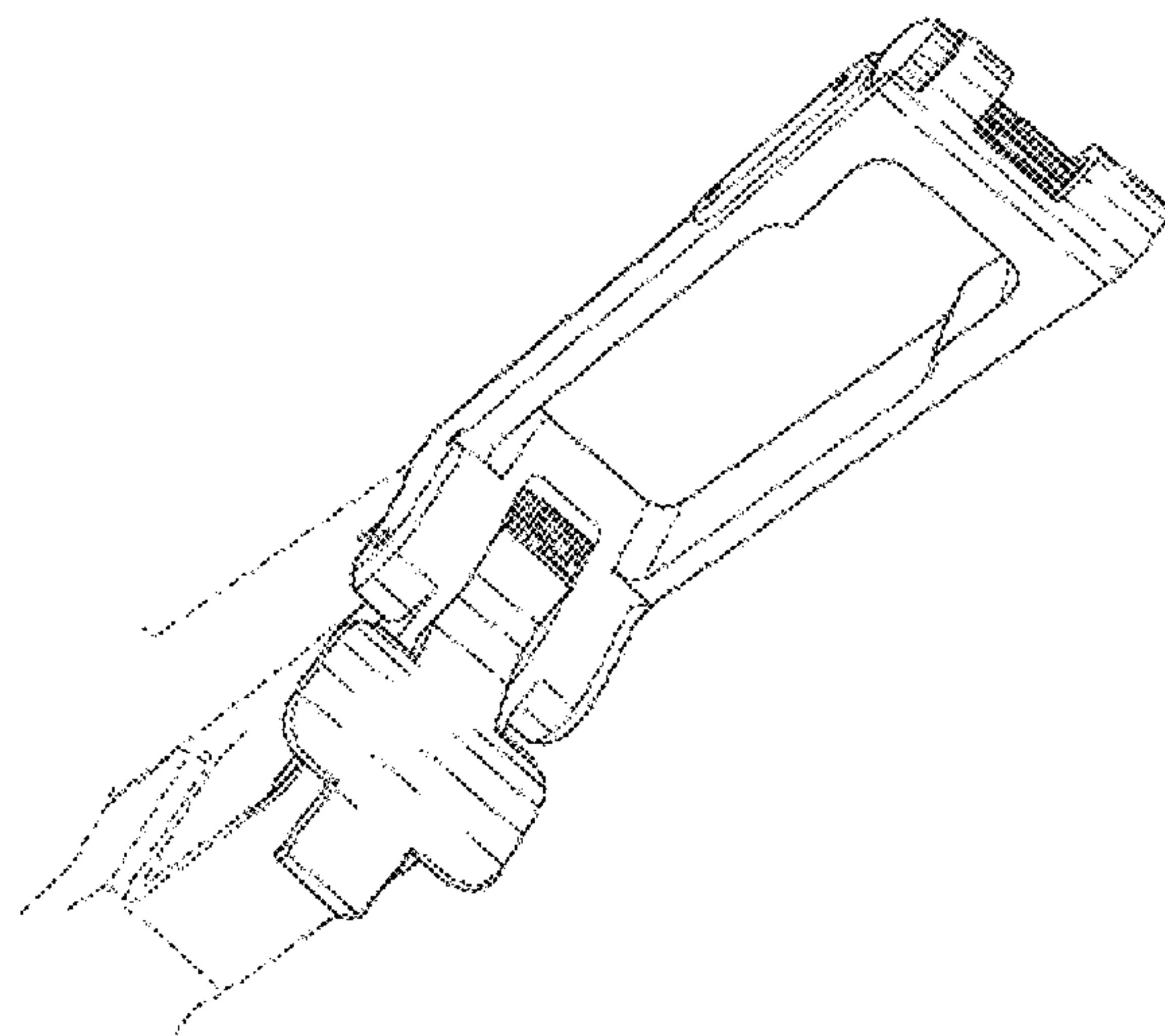
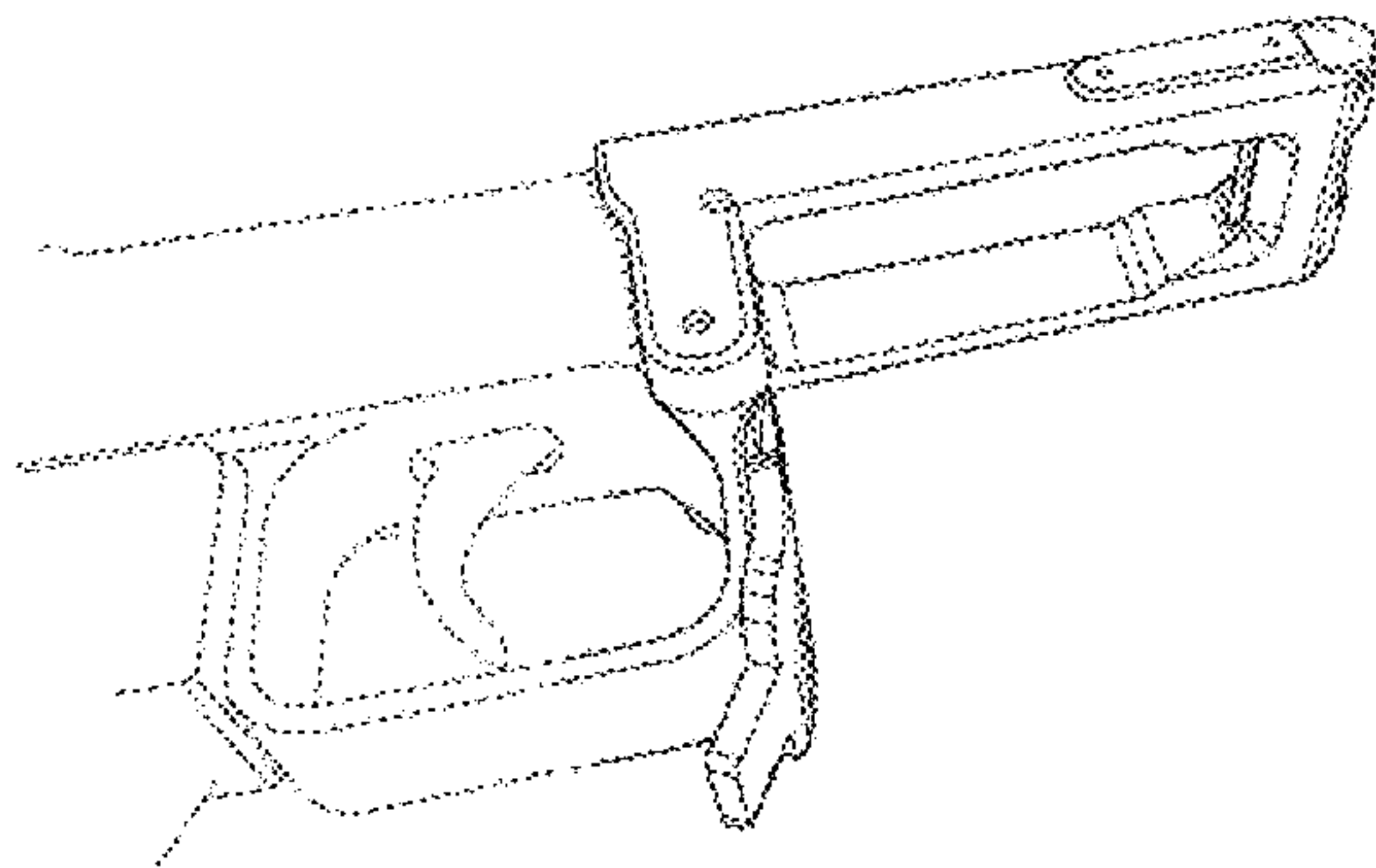
(57) **CLAIM**

The ornamental design for a magazine bracket, as shown and described.

DESCRIPTION

FIG. 1 is a left side in situ view of the magazine bracket; FIG. 2 is a right bottom perspective view of the magazine bracket; FIG. 3 is a bottom perspective view of the magazine bracket; FIG. 4 is a front view of the magazine bracket; FIG. 5 is a back view of the magazine bracket; FIG. 6 is a left side view of the magazine bracket; and, FIG. 7 is a right side view of the magazine bracket. Any broken line disclosures shown in the Figures of the magazine bracket are for illustrative purposes only and form no part of the claimed design.

1 Claim, 5 Drawing Sheets



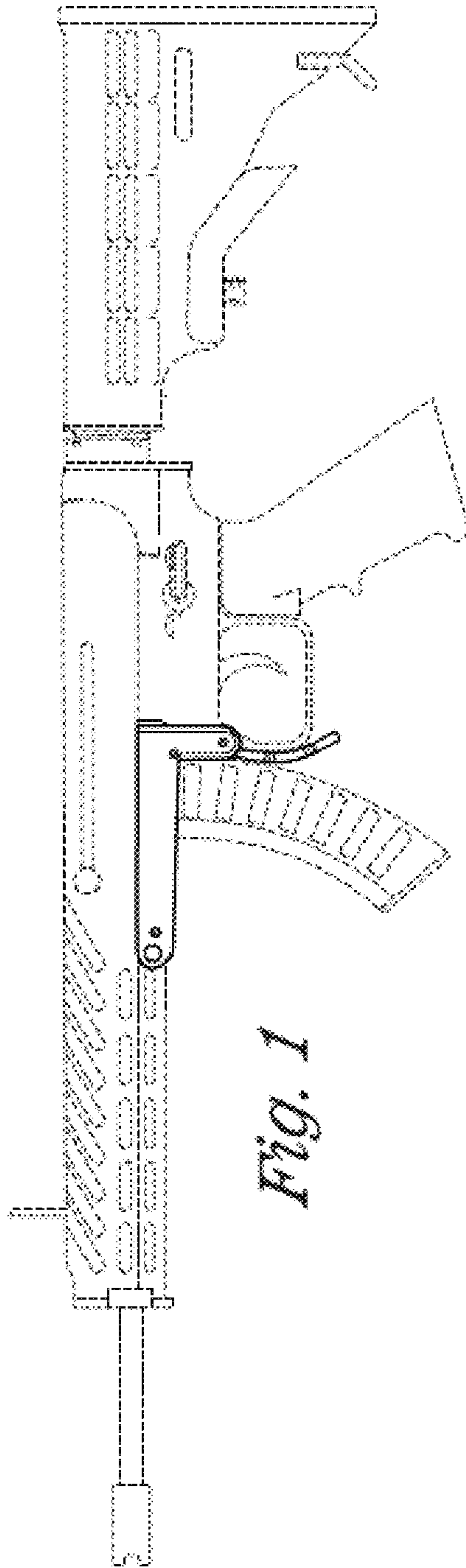


Fig. 1

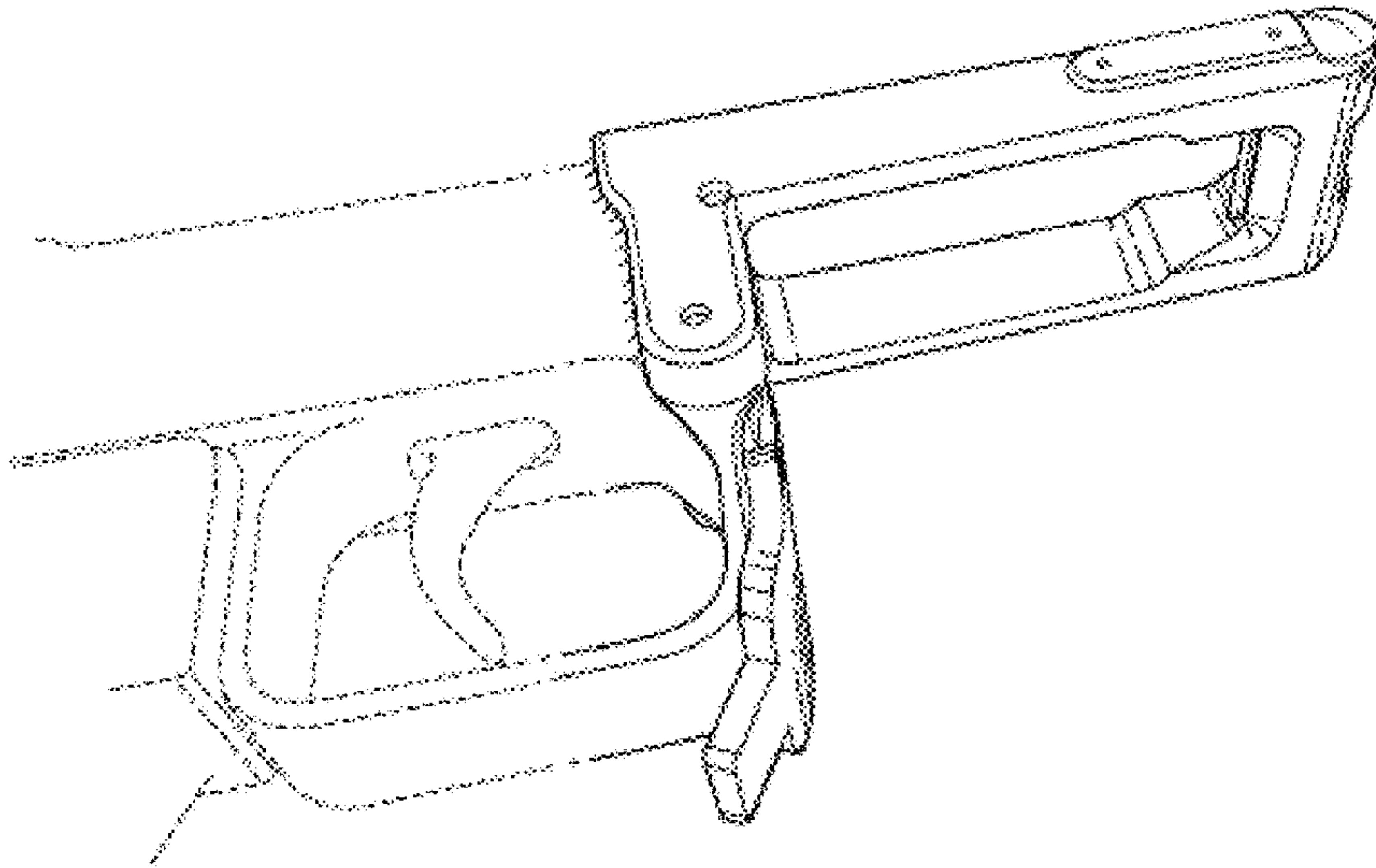


Fig. 2

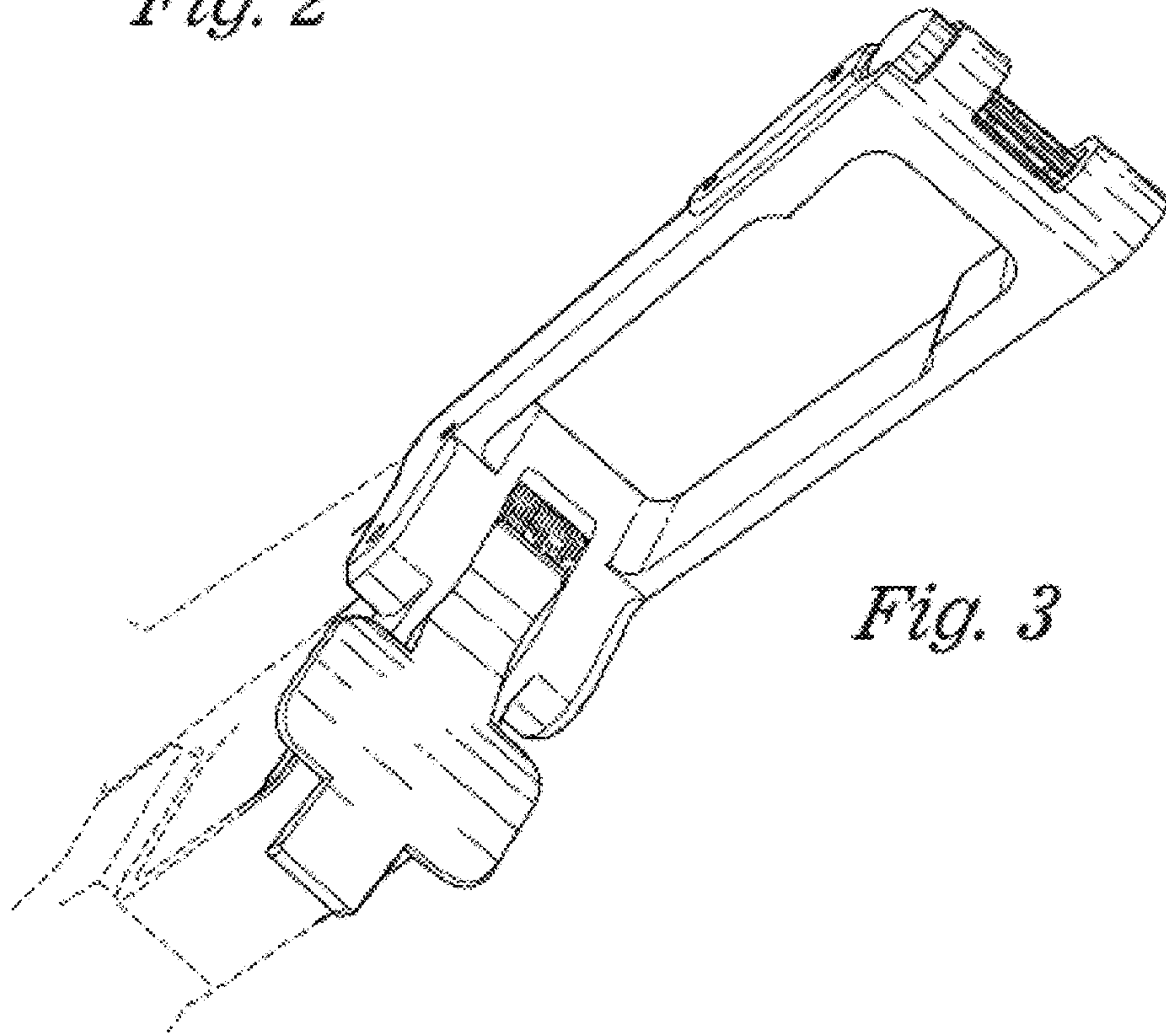


Fig. 3

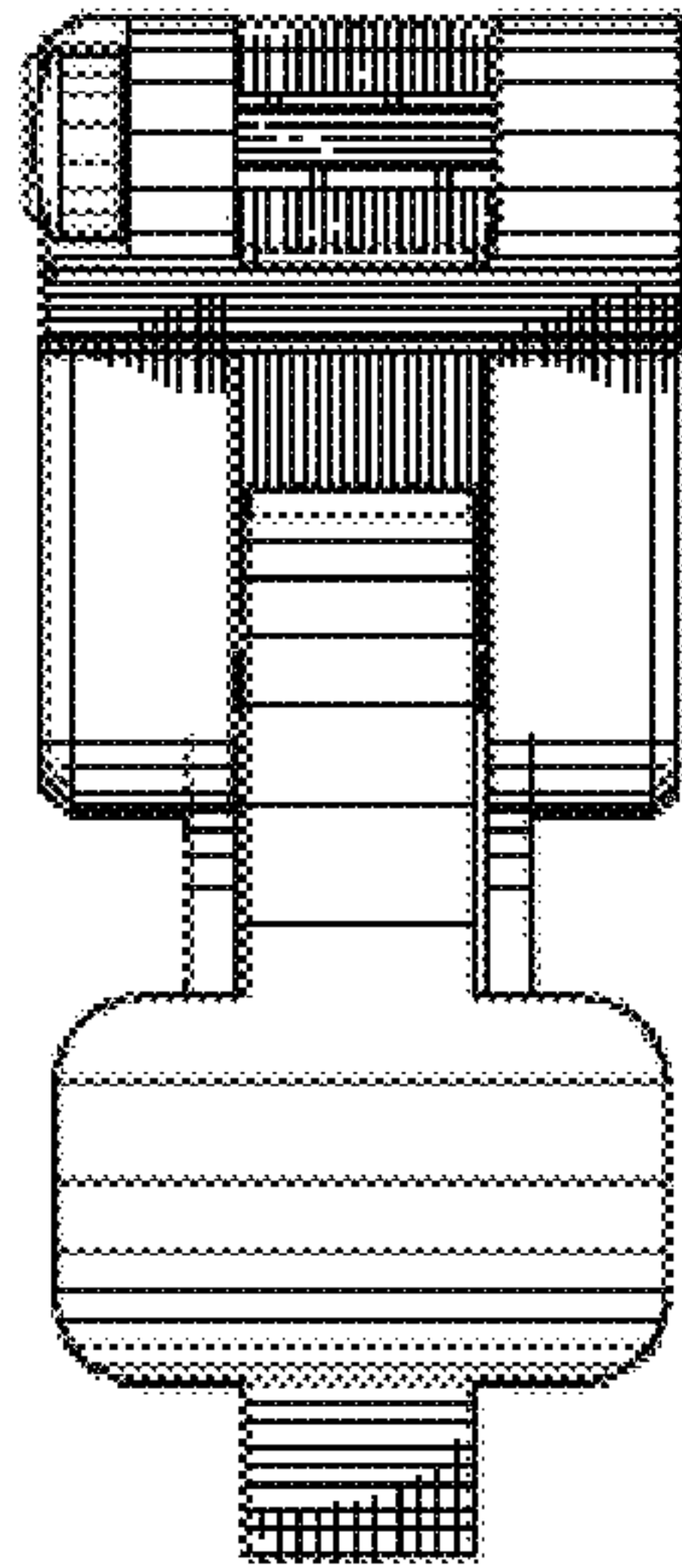


Fig. 4

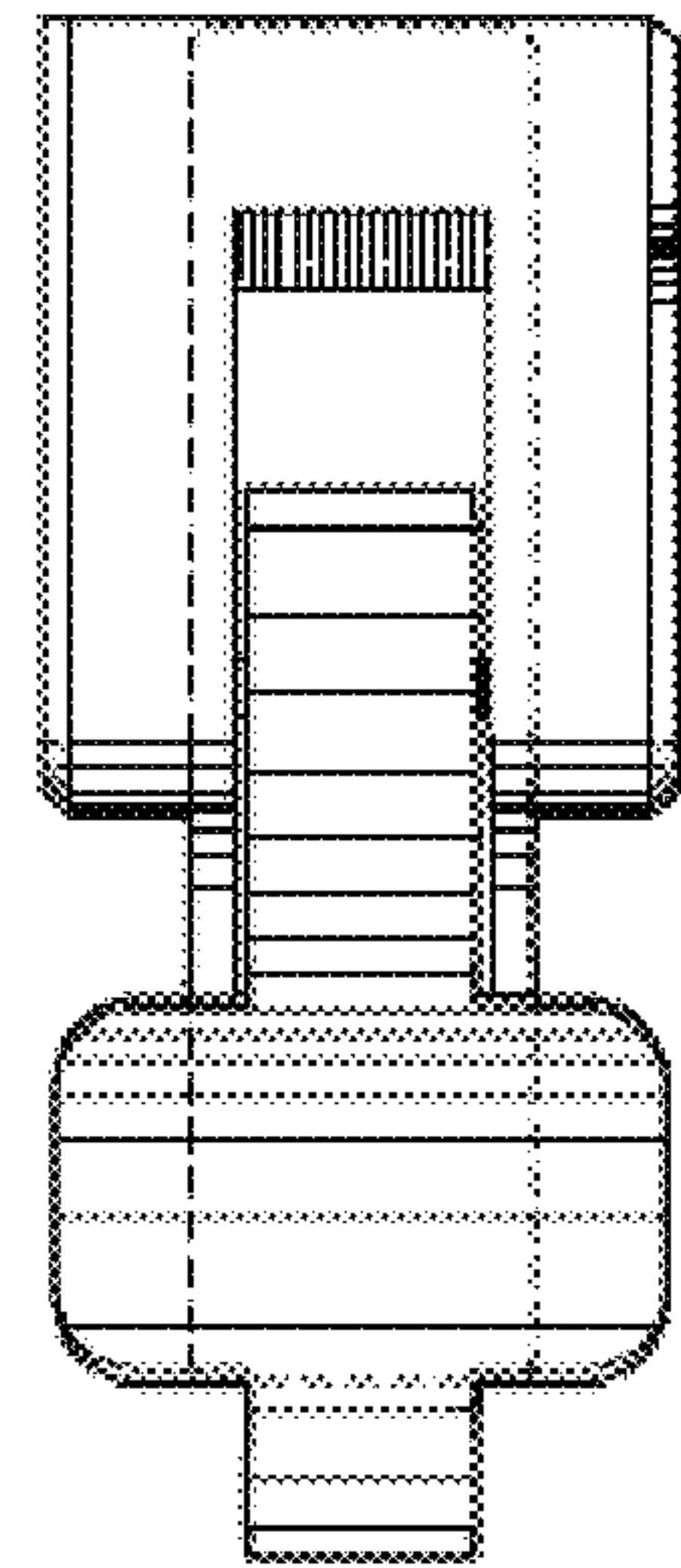


Fig. 5

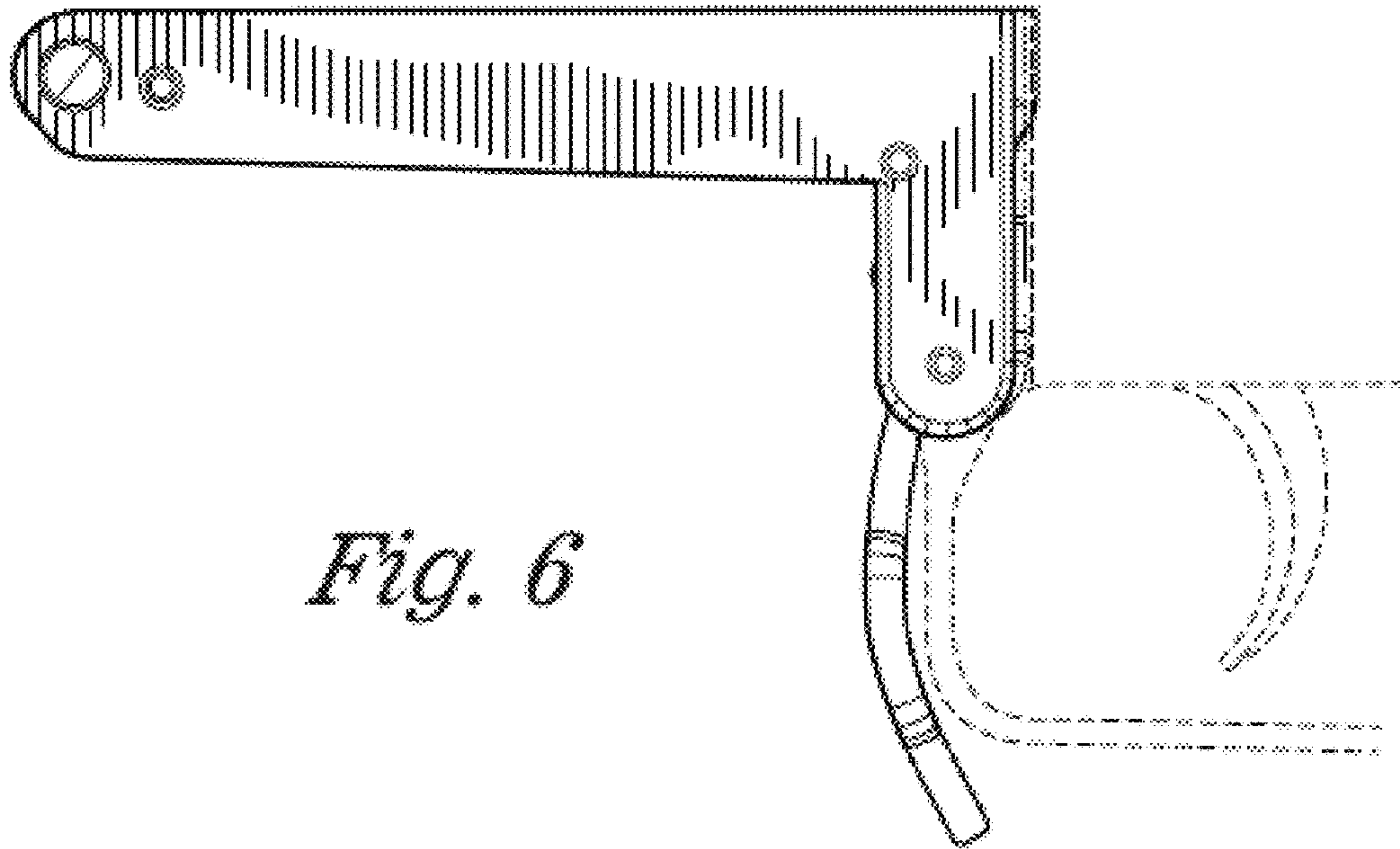


Fig. 6

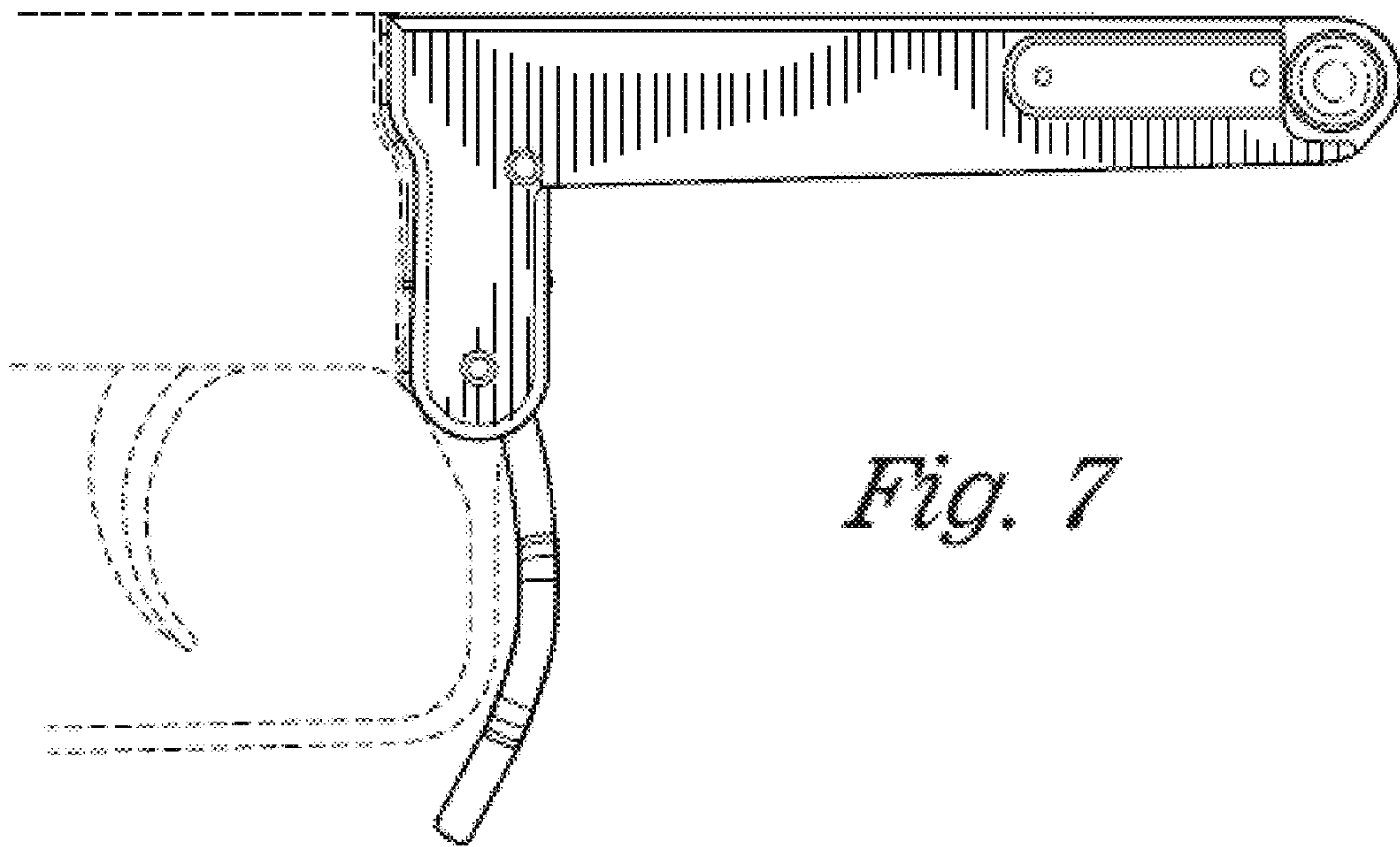


Fig. 7