



US00D816792S

(12) **United States Design Patent** (10) **Patent No.:** **US D816,792 S**
Kelly (45) **Date of Patent:** **** May 1, 2018**

(54) **ARCHERY RELEASE**

(71) Applicant: **Scott Archery LLC**, Clay City, KY (US)

(72) Inventor: **Daniel N. Kelly**, Rochester, NY (US)

(73) Assignee: **Scott Archery LLC**, Clay City, KY (US)

(**) Term: **15 Years**

(21) Appl. No.: **29/568,381**

(22) Filed: **Jun. 17, 2016**

Related U.S. Application Data

(63) Continuation-in-part of application No. 15/017,031, filed on Feb. 5, 2016, now Pat. No. 9,612,077.

(51) **LOC (11) Cl.** **22-01**

(52) **U.S. Cl.**
USPC **D22/107**

(58) **Field of Classification Search**
USPC D22/107; D21/571-575
CPC F16F 7/108; F41B 5/1403; F41B 5/10;
F41B 5/14; F41B 5/0031; F41B 5/00;
F41B 5/1484; F41B 5/1426
See application file for complete search history.

(56) **References Cited**

U.S. PATENT DOCUMENTS

3,656,467	A	4/1972	Halter	
3,965,884	A	6/1976	Killian	
4,567,875	A *	2/1986	Fletcher F41B 5/1469 124/35.2
4,620,523	A	11/1986	Peck	
4,672,945	A	6/1987	Carlton	
5,157,839	A *	10/1992	Beutler F41G 1/467 33/265
5,666,936	A	9/1997	Estrada	

5,685,286	A	11/1997	Summers
5,692,490	A	12/1997	Walker
5,694,915	A	12/1997	Summers
6,571,786	B2	6/2003	Summers et al.

(Continued)

Primary Examiner — Michael A. Pratt
(74) *Attorney, Agent, or Firm* — Barclay Damon LLP

(57) **CLAIM**

The ornamental design for an archery release, as shown and described.

DESCRIPTION

A portion of the disclosure of this patent document contains or may contain material which is subject to copyright protection. The copyright owner has no objection to the photocopy reproduction by anyone of the patent document in exactly the form it appears in the Patent and Trademark Office patent file or records, but otherwise reserves all copyrights whatsoever.

FIG. 1 is a front elevation view of an embodiment of the archery release.

FIG. 2 is a rear elevation view of the embodiment of the archery release.

FIG. 3 is a right side elevation view of the embodiment of the archery release.

FIG. 4 is a left side elevation view of the embodiment of the archery release.

FIG. 5 is a top view of the embodiment of the archery release.

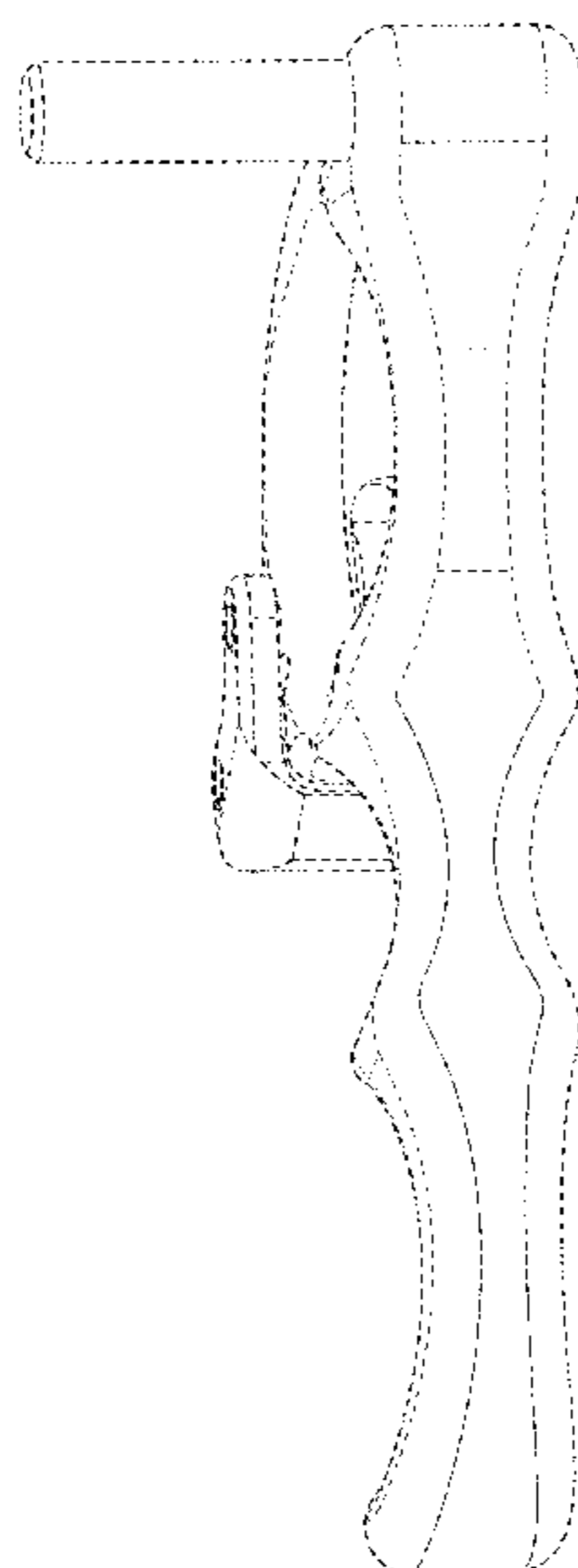
FIG. 6 is a bottom view of the embodiment of the archery release.

FIG. 7 is a front isometric view of the embodiment of the archery release; and,

FIG. 8 is a rear isometric view of the embodiment of the archery release.

The broken lines in the drawings are shown for illustrative purposes only and form no part of the claimed design.

1 Claim, 8 Drawing Sheets



(56)

References Cited

U.S. PATENT DOCUMENTS

6,736,124	B2 *	5/2004	Carter	F41B 5/1469 124/35.2
6,945,241	B2	9/2005	Pellerite	
6,957,644	B2	10/2005	Simo et al.	
D597,164	S	7/2009	Jones	
8,622,051	B2	1/2014	Summers et al.	
8,746,223	B2 *	6/2014	Jones	F41B 5/1469 124/35.2
8,869,781	B2 *	10/2014	Jones	F41B 5/1469 124/35.2
9,027,540	B2	5/2015	Springer	
9,255,762	B2 *	2/2016	Kelly	F41B 5/1469
9,261,323	B2 *	2/2016	Springer	F41B 5/1469
9,429,384	B2 *	8/2016	Whalen	F41B 5/1469
9,612,077	B2 *	4/2017	Kelly	F41B 5/1469
9,625,230	B2 *	4/2017	Kelly	F41B 5/1469

* cited by examiner

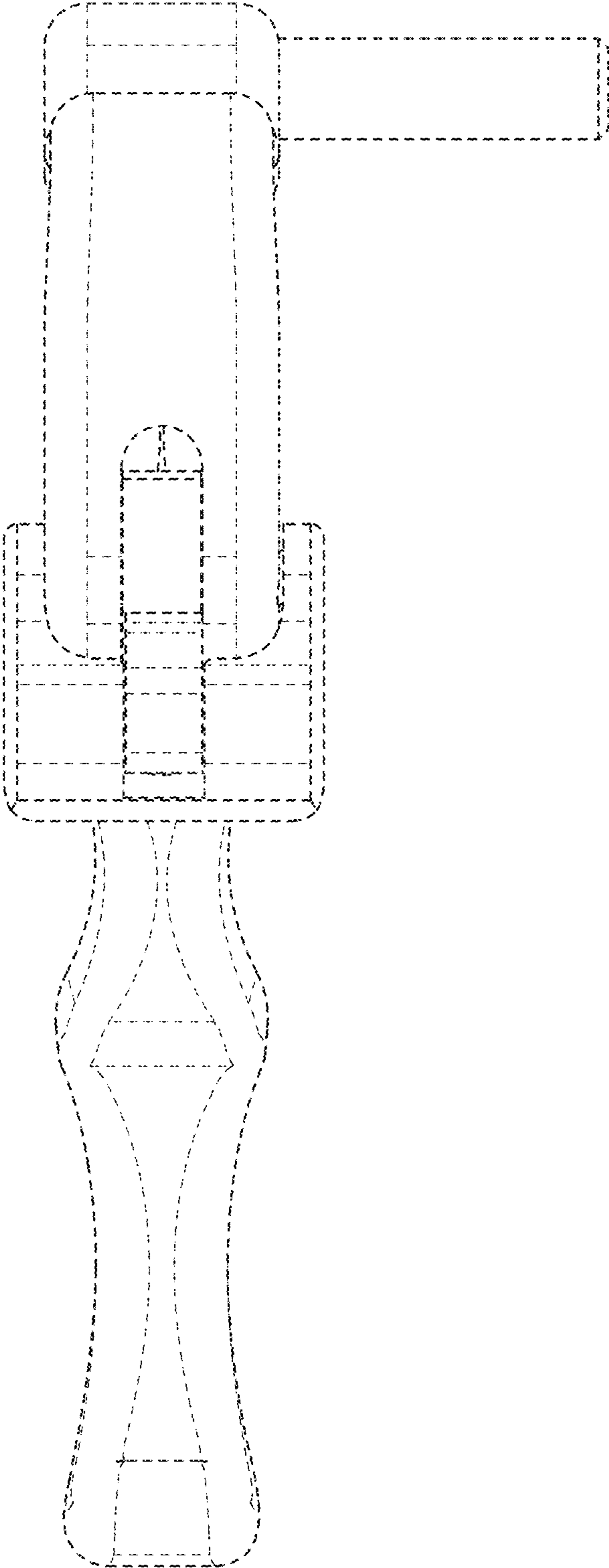


FIG. 1

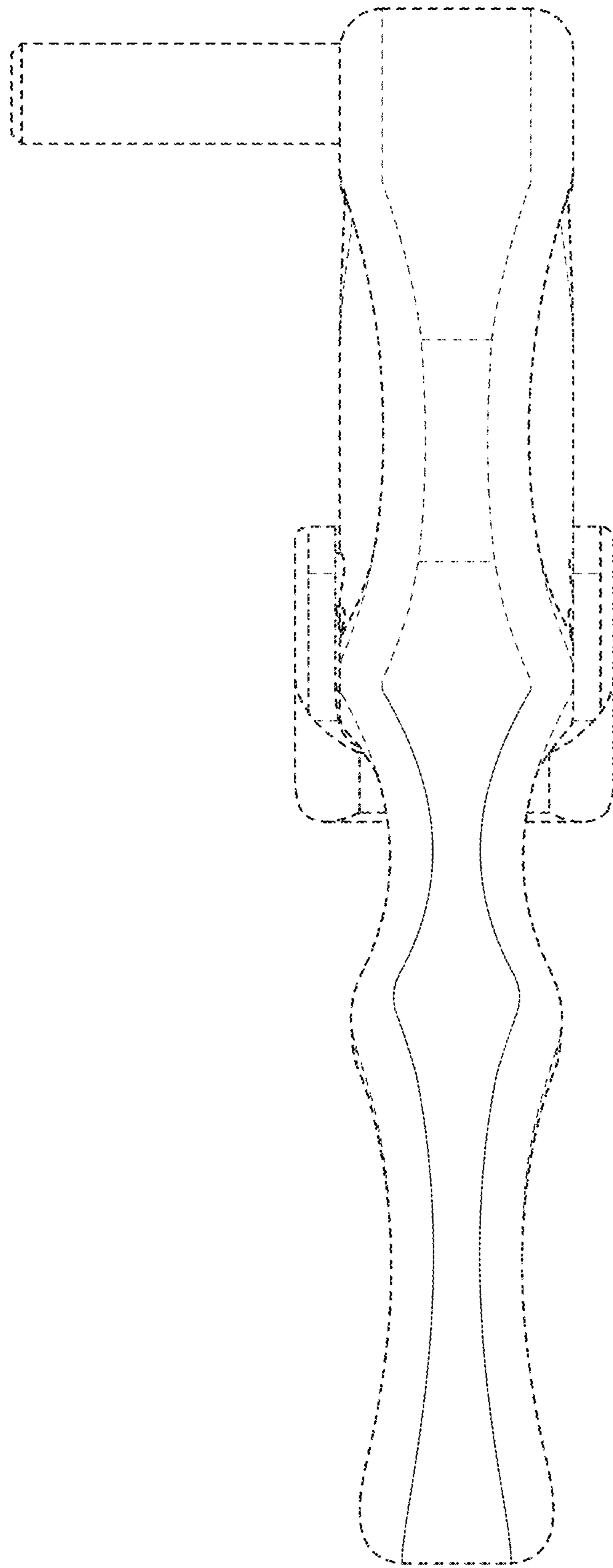


FIG. 2

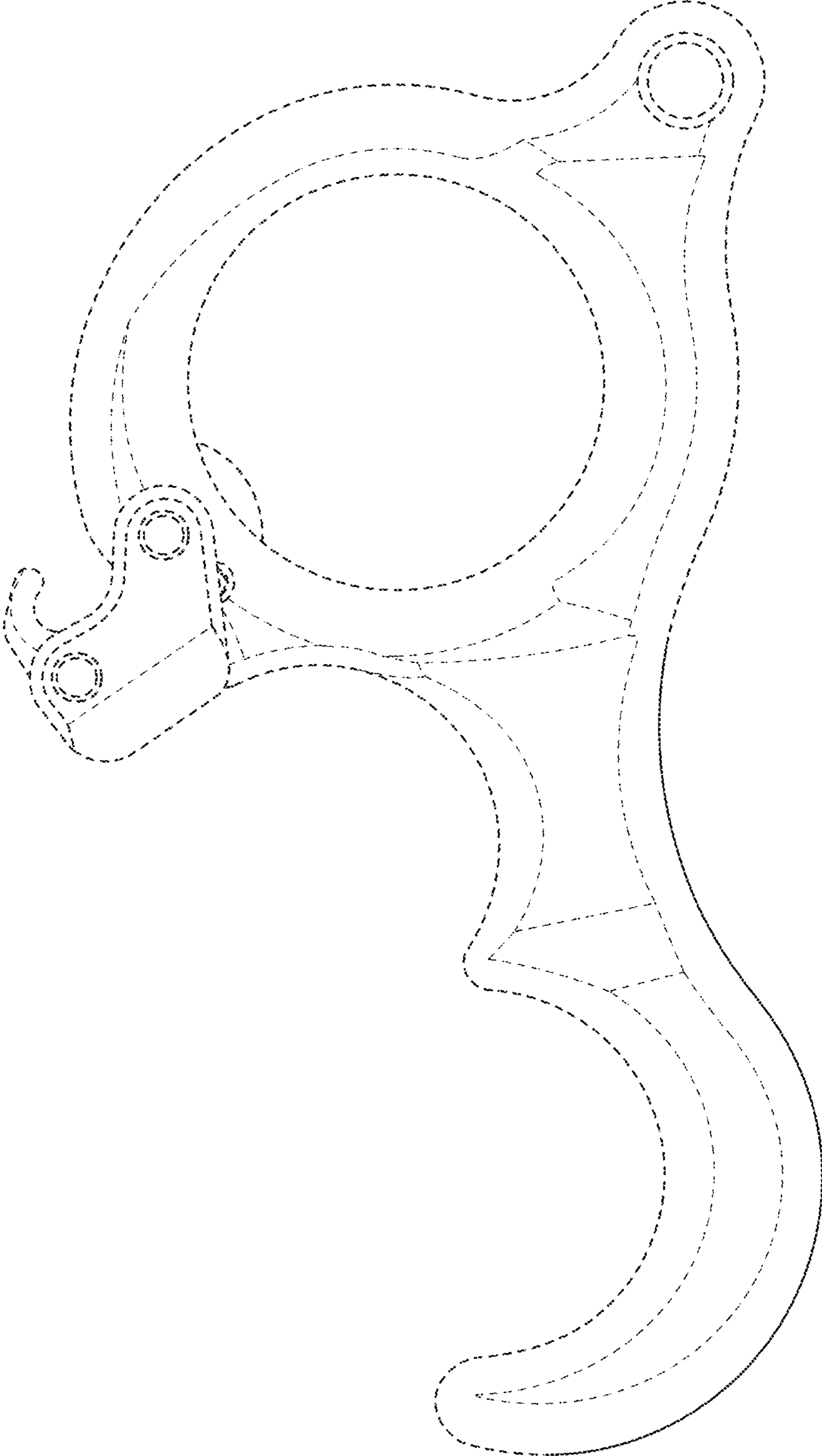


FIG. 3

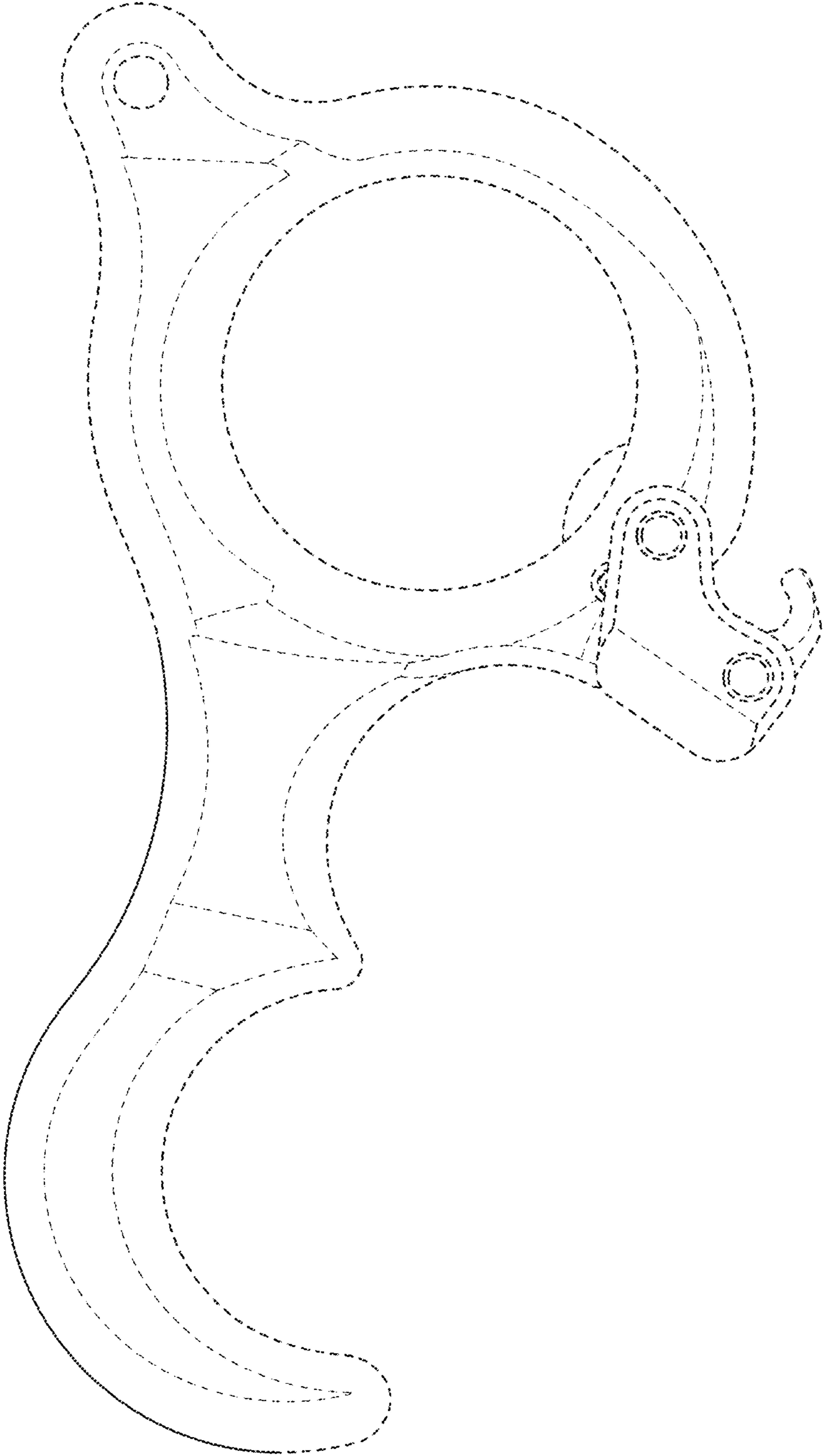


FIG. 4

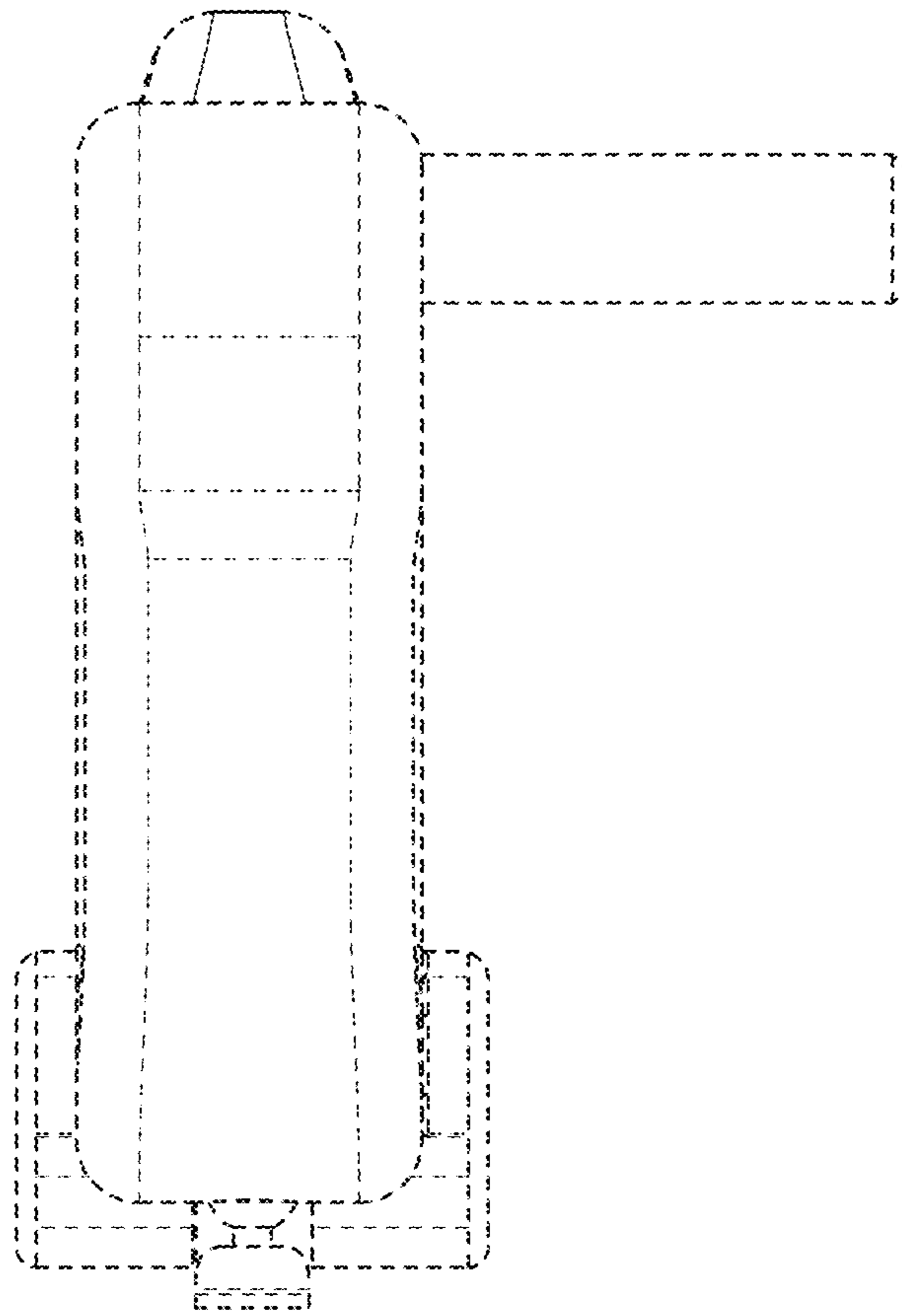


FIG. 5

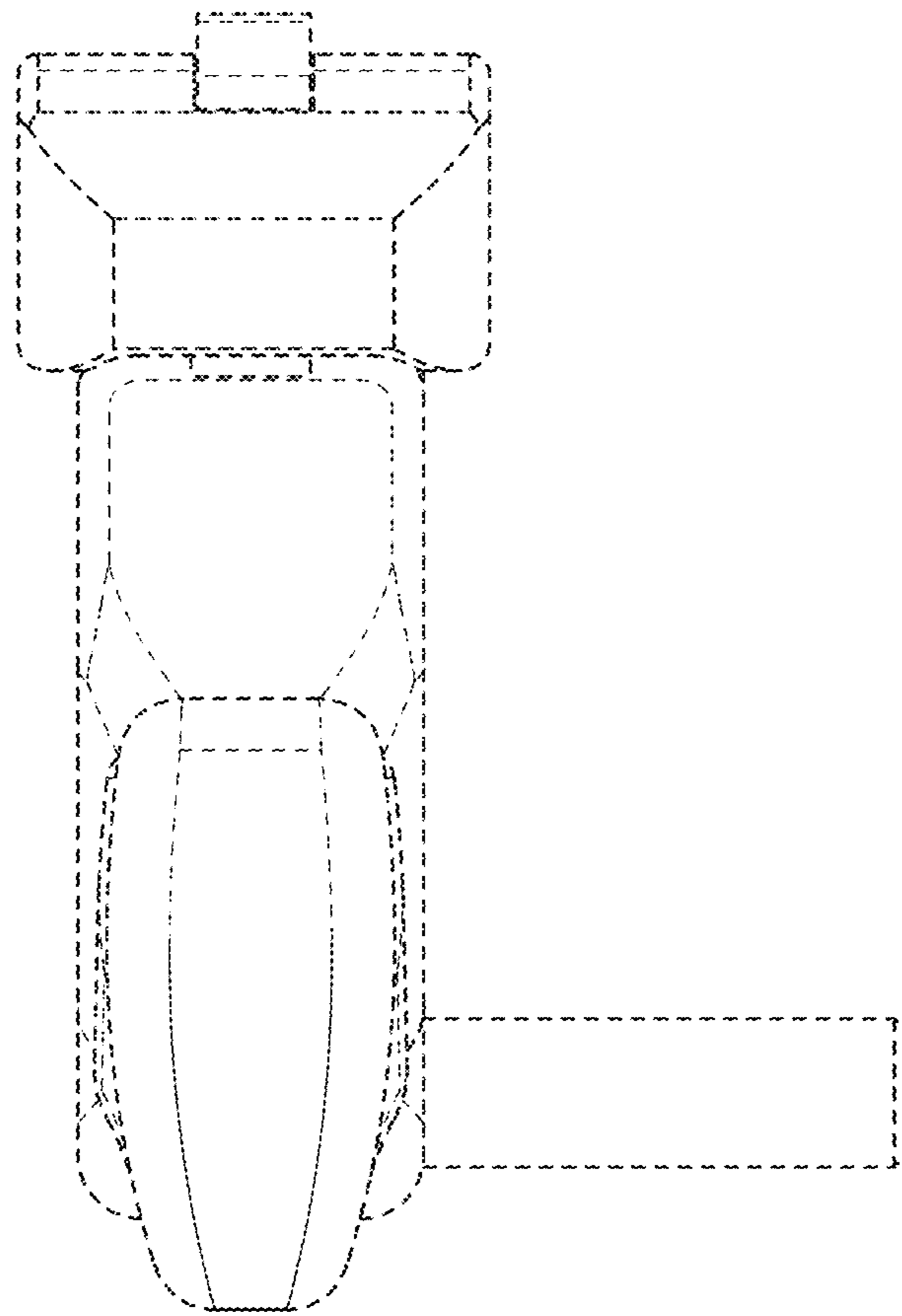


FIG. 6

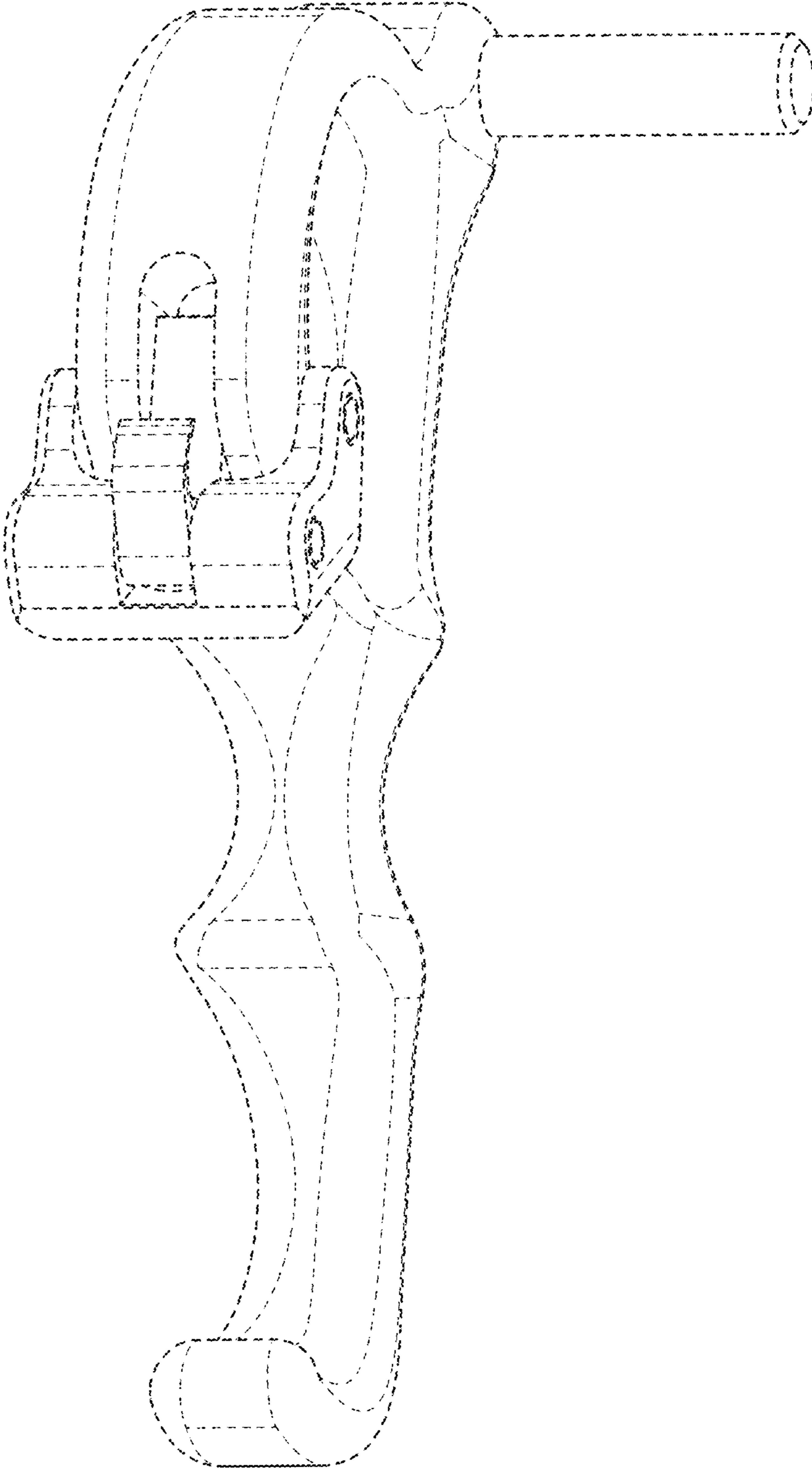


FIG. 7

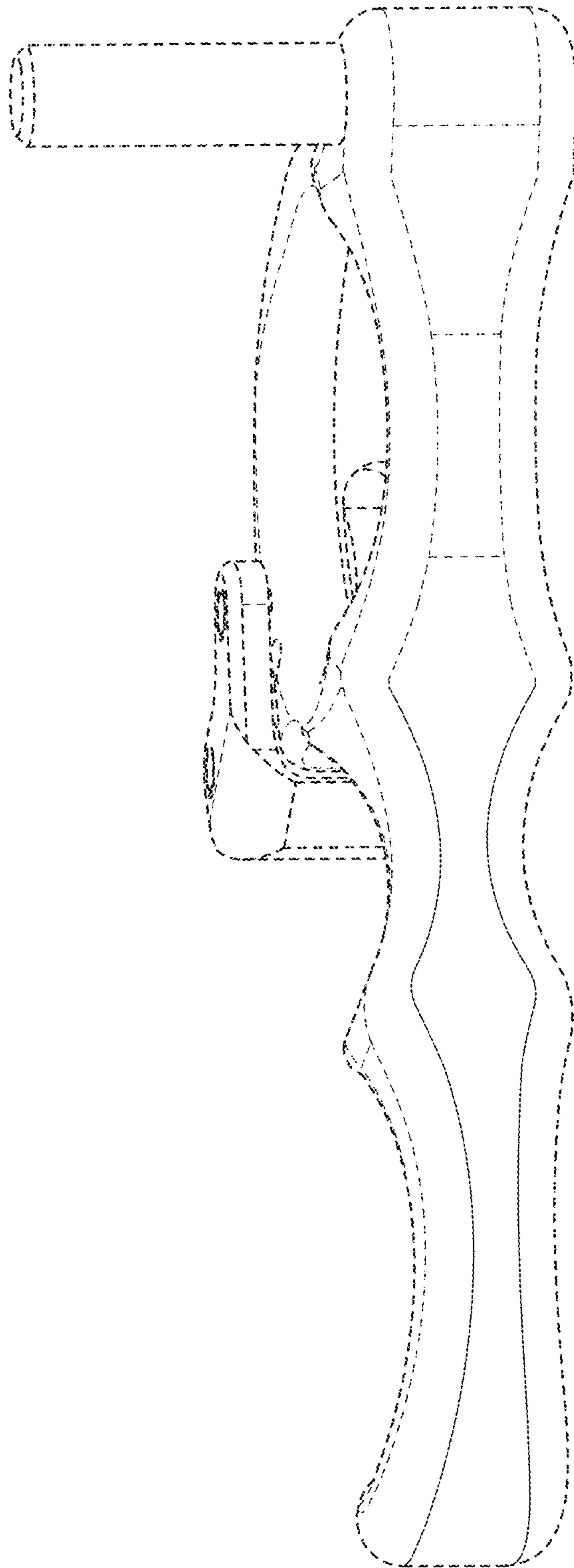


FIG. 8