



US00D816788S

(12) **United States Design Patent** (10) **Patent No.:** **US D816,788 S**  
**Chen** (45) **Date of Patent:** **\*\* May 1, 2018**

(54) **BOXING TRAINING DEVICE**  
(71) Applicant: **Chih-Lung Chen**, Taichung (TW)  
(72) Inventor: **Chih-Lung Chen**, Taichung (TW)  
(\*\*) Term: **15 Years**  
(21) Appl. No.: **29/590,052**  
(22) Filed: **Jan. 6, 2017**  
(51) **LOC (11) Cl.** ..... **21-02**  
(52) **U.S. Cl.**  
USPC ..... **D21/787**  
(58) **Field of Classification Search**  
USPC ..... 273/390, 393, 407, 440-440.1, DIG. 4;  
434/247, 256, 392; 446/268, 325, 333,  
446/334, 336, 361, 390, 473, 487, 489;  
473/422, 429, 441, 442, 443, 444;  
482/83, 84, 85, 86, 87, 88, 89, 90;  
D20/32; D21/658, 662, 675, 694, 698,  
D21/787, 798; D29/116.1, 122  
CPC . A63B 69/20; A63B 2061/026; A63B 69/004;  
A63B 69/201  
See application file for complete search history.

D792,933 S \* 7/2017 Warner ..... D21/787  
9,839,827 B1 \* 12/2017 Roberts ..... A63B 69/208  
9,849,362 B2 \* 12/2017 Nelson ..... A63B 69/004  
2004/0005963 A1 \* 1/2004 Tudor ..... A63B 69/004  
482/83  
2006/0025284 A1 \* 2/2006 Livingstone ..... A63B 69/004  
482/83  
2007/0167297 A1 \* 7/2007 Stevenson ..... A63B 69/004  
482/83  
2007/0197351 A1 \* 8/2007 Gonzalez ..... A63B 69/004  
482/83  
2008/0254950 A1 \* 10/2008 Beliles ..... A63B 69/004  
482/83  
2009/0098985 A1 \* 4/2009 Gonzalez ..... A63B 69/004  
482/83

(Continued)

*Primary Examiner* — Cynthia Ramirez  
*Assistant Examiner* — Michael A Maharajh  
(74) *Attorney, Agent, or Firm* — Muncy, Geissler, Olds & Lowe PC

(57) **CLAIM**

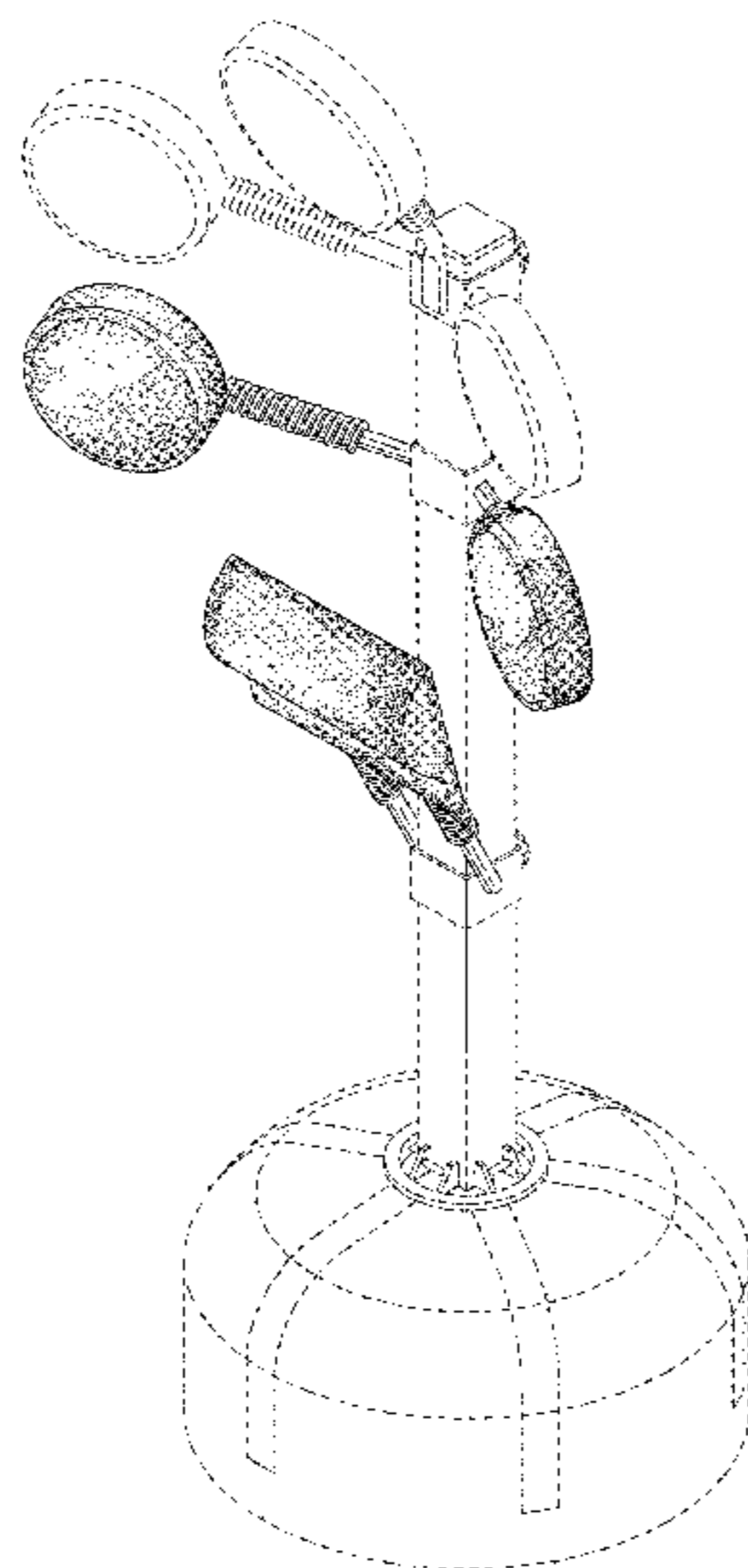
I claim the ornamental design for a boxing training device, as shown and described.

**DESCRIPTION**

FIG. 1 is a right, front, top perspective view of a boxing training device showing my new design; FIG. 2 is a front elevational view thereof; FIG. 3 is a rear elevational view thereof; FIG. 4 is a left side view thereof; FIG. 5 is a right side view thereof; FIG. 6 is a top plan view thereof; FIG. 7 is a bottom plan view thereof; and, FIG. 8 is a right, rear, top perspective view of the boxing training device. The broken lines in the drawings illustrate portions of the boxing training device which form no part of the claimed design.

**1 Claim, 7 Drawing Sheets**

(56) **References Cited**  
U.S. PATENT DOCUMENTS  
D265,333 S \* 7/1982 Lee ..... D21/798  
5,052,683 A \* 10/1991 Wang ..... A63B 69/34  
482/90  
5,256,069 A \* 10/1993 Snowden, Jr. .... A63B 69/34  
482/83  
D356,127 S \* 3/1995 Mara ..... D21/798  
5,458,552 A \* 10/1995 Mara ..... A63B 69/004  
482/83  
5,582,561 A \* 12/1996 Gonzalez ..... A63B 22/14  
482/83  
D584,785 S \* 1/2009 McDonald ..... D21/787  
D641,811 S \* 7/2011 Brenner ..... D21/694  
D641,812 S \* 7/2011 Brenner ..... D21/694  
D669,147 S \* 10/2012 Solah ..... D21/787



(56)

**References Cited**

U.S. PATENT DOCUMENTS

2009/0264263 A1\* 10/2009 Yang ..... A63B 69/0075  
482/85  
2011/0015040 A1\* 1/2011 Fleitz ..... A63B 69/004  
482/8  
2011/0028279 A1\* 2/2011 Chen ..... A63B 69/208  
482/83  
2011/0059827 A1\* 3/2011 Fazio ..... A63B 69/34  
482/83  
2013/0324370 A1\* 12/2013 Harrigan ..... A63B 69/34  
482/84  
2014/0018212 A1\* 1/2014 Chen ..... A63B 69/34  
482/83  
2014/0243165 A1\* 8/2014 Hall ..... A63B 69/20  
482/83  
2014/0302969 A1\* 10/2014 Chen ..... A63B 69/203  
482/90  
2014/0309082 A1\* 10/2014 Iglehart ..... A63B 69/32  
482/83  
2014/0378281 A1\* 12/2014 Mazi ..... A63B 69/34  
482/83  
2015/0011365 A1\* 1/2015 Nelson ..... A63B 69/205  
482/84  
2015/0273307 A1\* 10/2015 Karimi ..... A63B 69/203  
482/8

\* cited by examiner

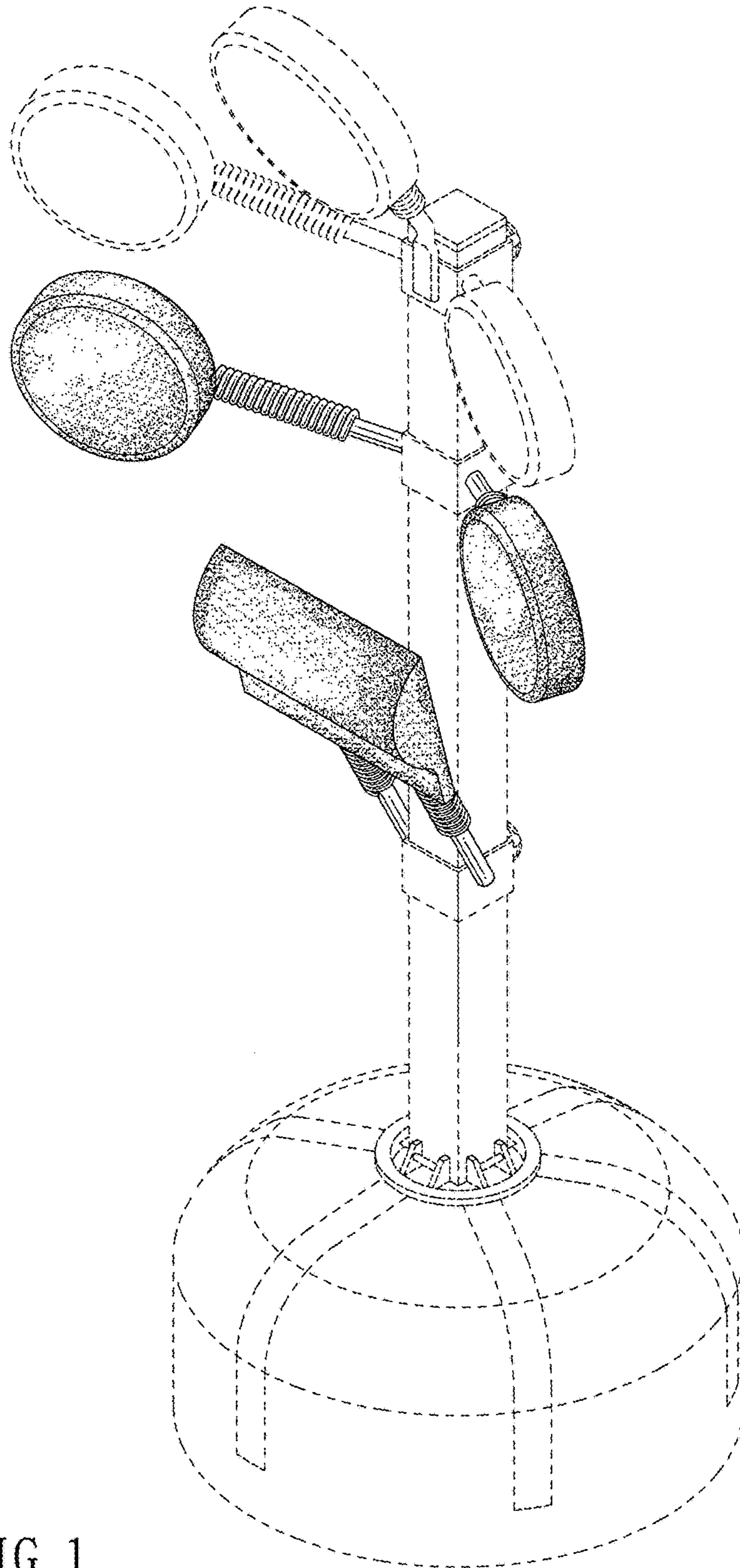


FIG. 1



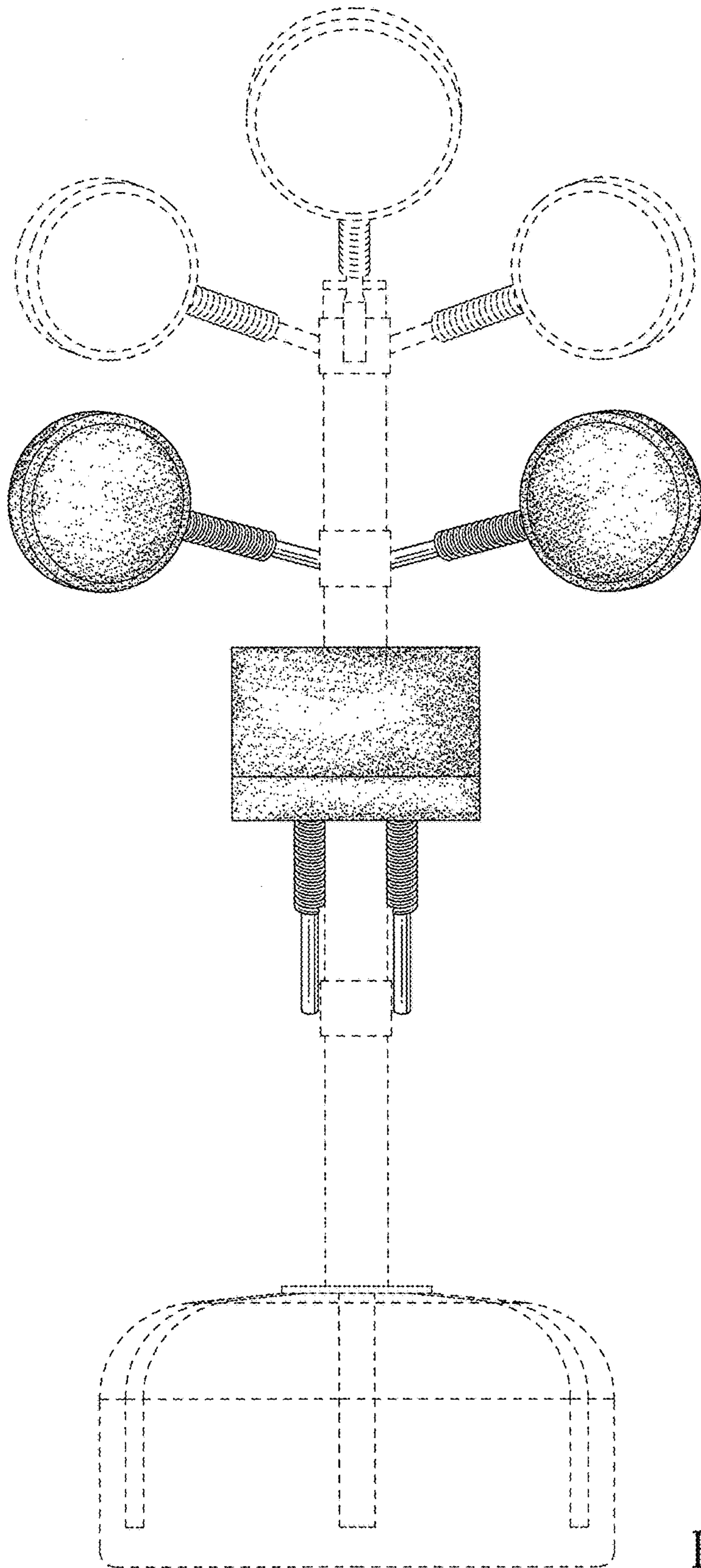


FIG. 2

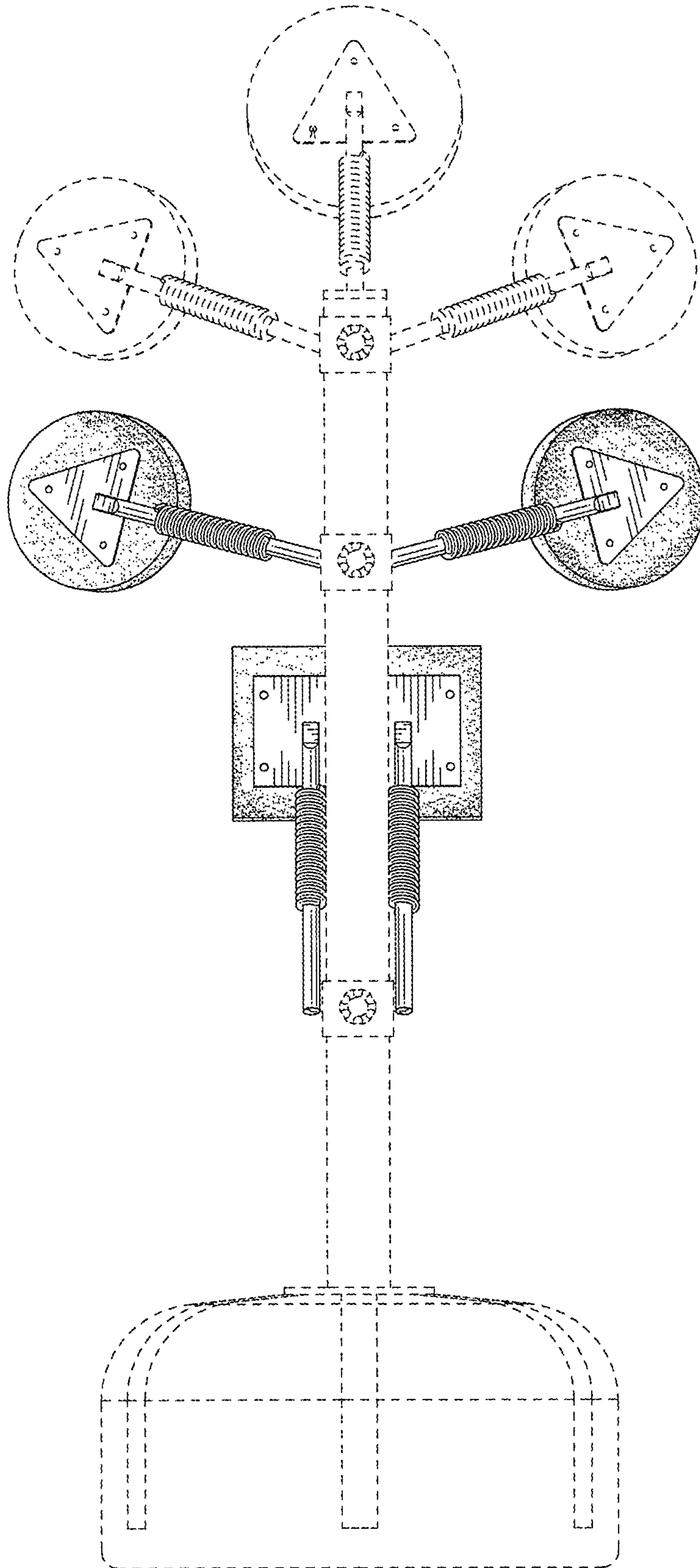


FIG. 3

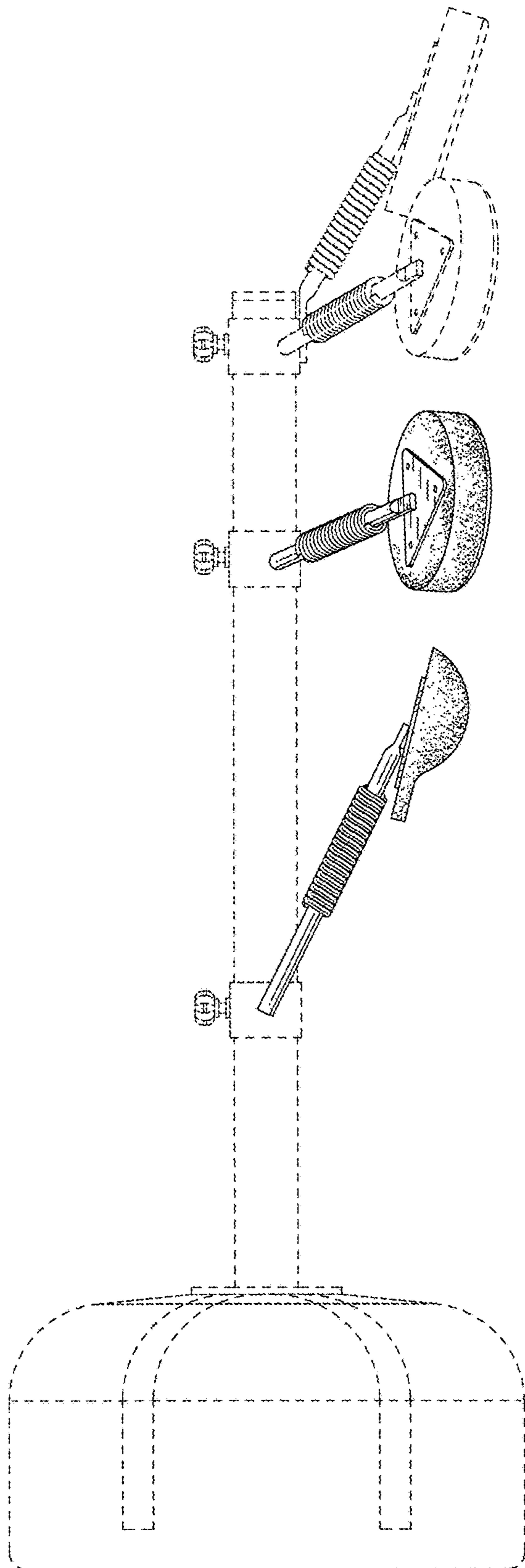


FIG. 4

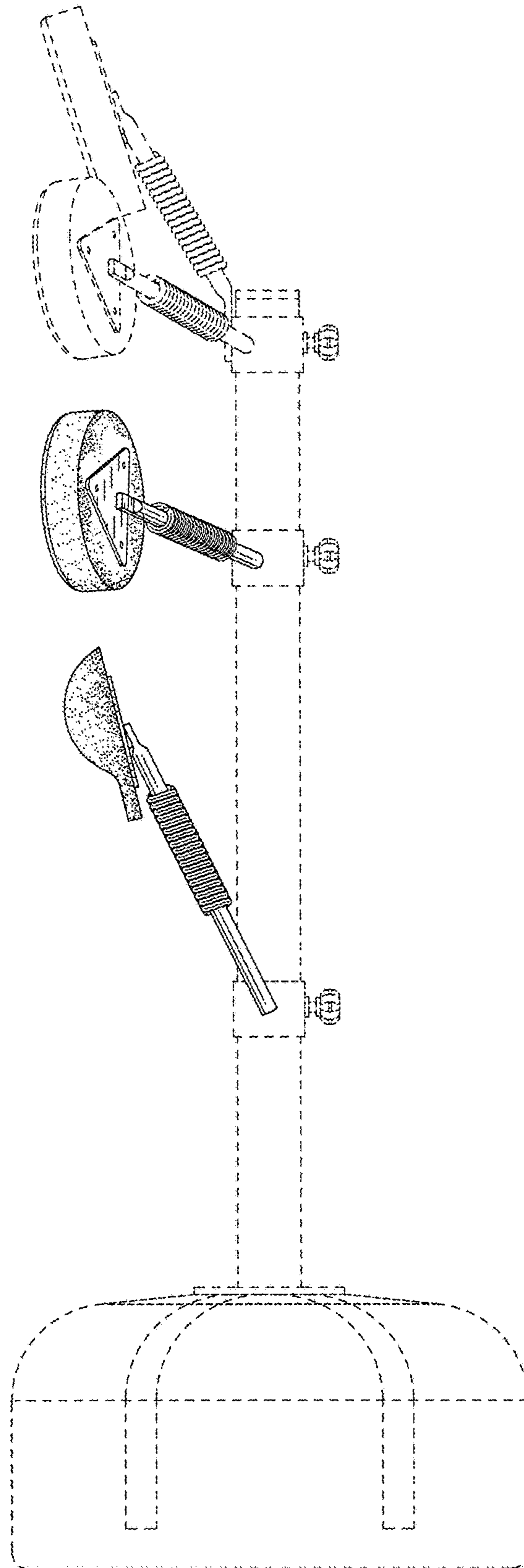


FIG. 5



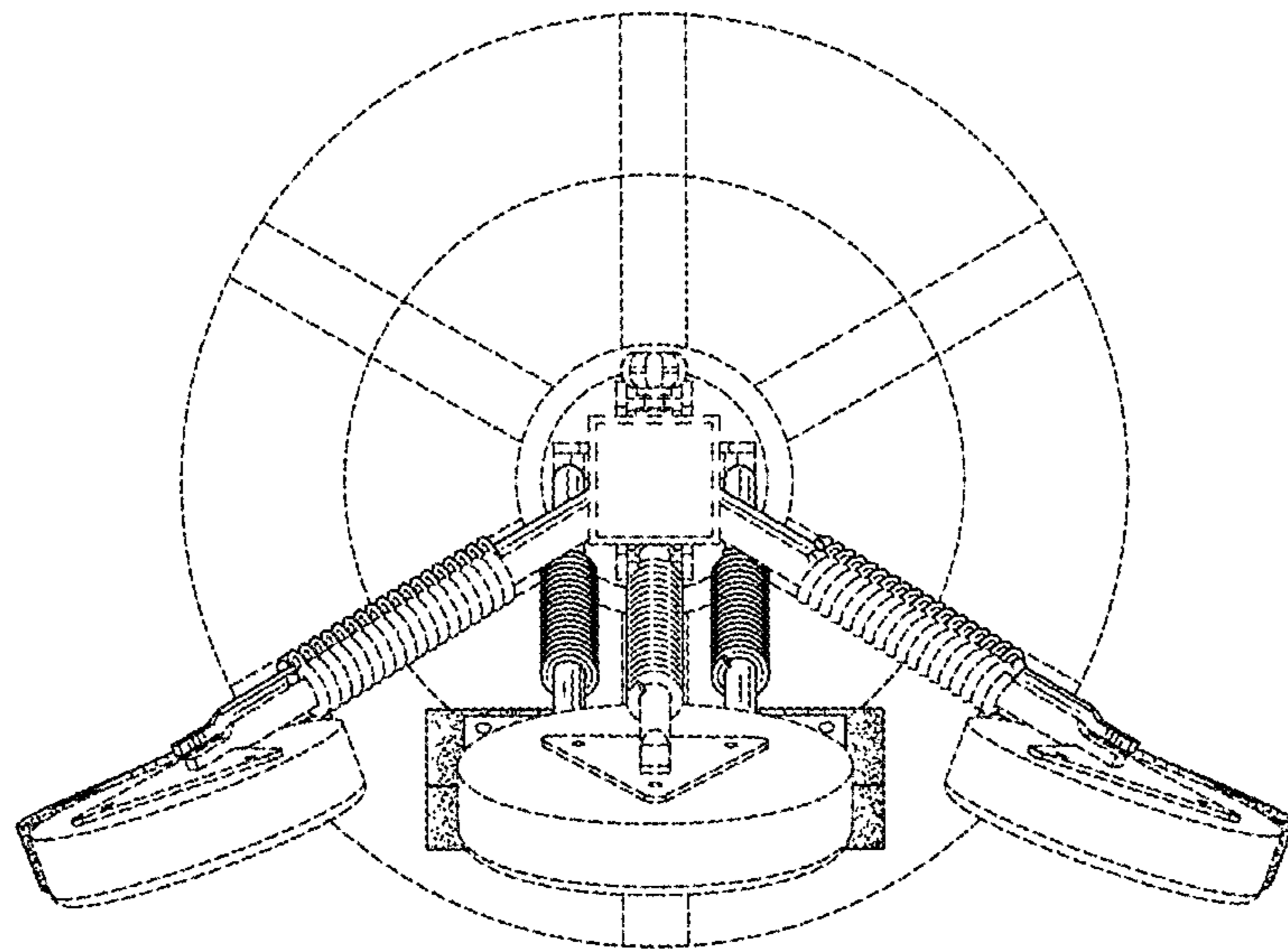


FIG. 6

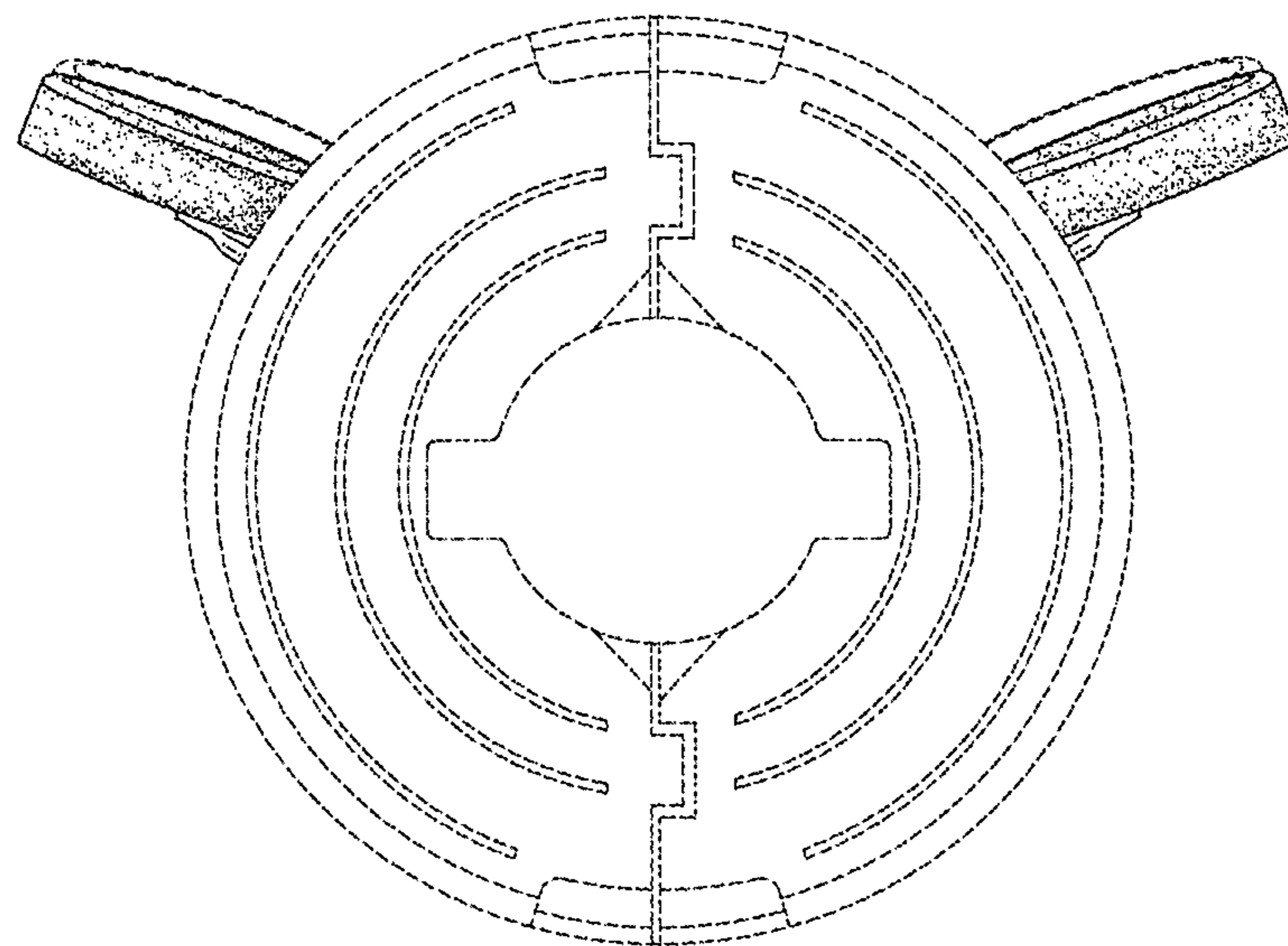


FIG. 7



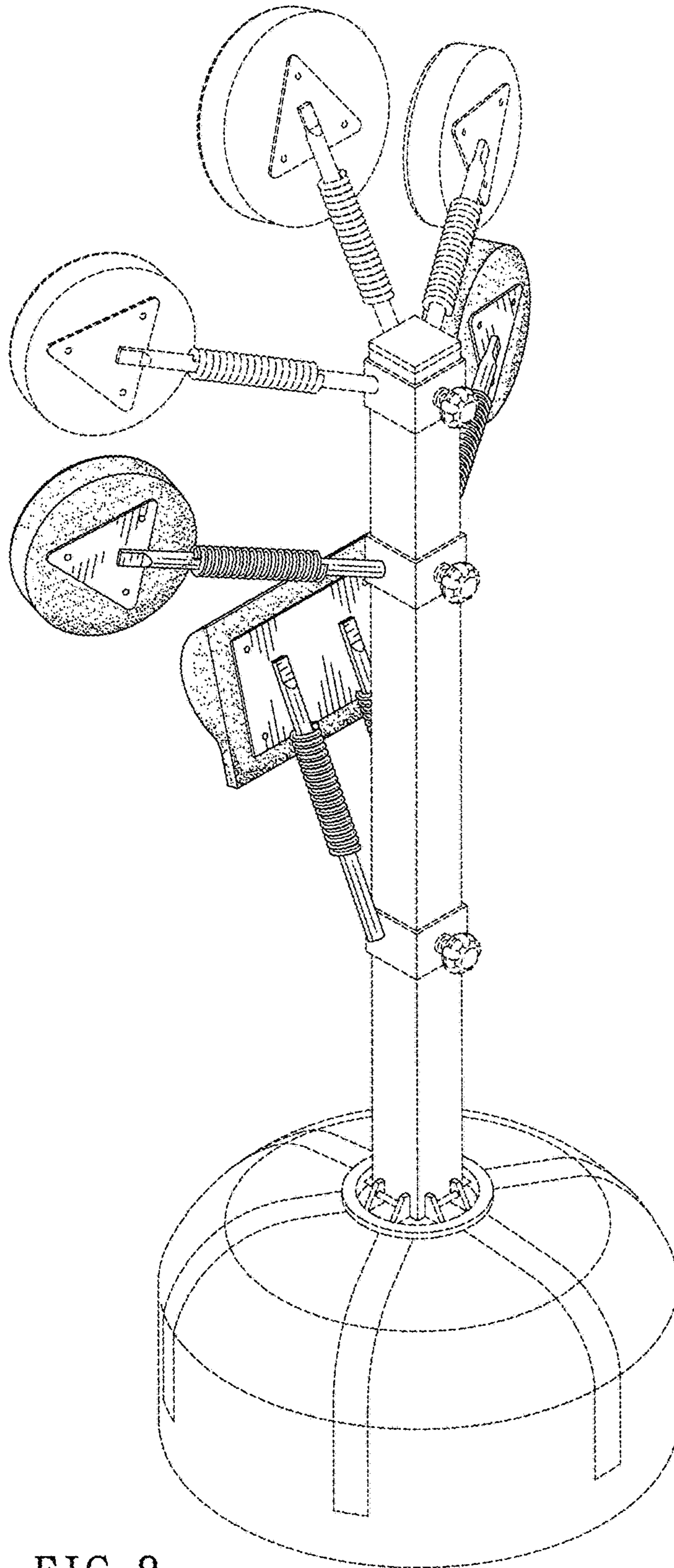


FIG. 8