

US00D816784S

(12) **United States Design Patent** (10) **Patent No.:** **US D816,784 S**
Monti (45) **Date of Patent:** **** May 1, 2018**

(54) **EXERCISE BENCH**

(71) Applicant: **Jonathan H. Monti**, Middleton, RI (US)

(72) Inventor: **Jonathan H. Monti**, Middleton, RI (US)

(**) Term: **15 Years**

(21) Appl. No.: **29/600,800**

(22) Filed: **Apr. 15, 2017**

Related U.S. Application Data

(63) Continuation-in-part of application No. 29/532,351, filed on Jul. 6, 2015.

(51) **LOC (11) Cl.** **21-02**

(52) **U.S. Cl.**
USPC **D21/690**

(58) **Field of Classification Search**

USPC 482/54, 140, 142, 123, 121, 122, 129, 482/130, 96, 52, 57, 907, 126, 131, 145, 482/144, 112, 134, 26, 27, 77, 125, 132, 482/92, 95, 91, 128, 68, 141; D21/687, D21/686, 669, 673, 690, 691, 694, 676, D21/674, 670, 663, 662, 423, 695, 688; D24/183, 188; 297/175, 445.1, 423.38; 601/24, 49; 606/240, 244, 242; 5/613, 5/618, 624; 473/197, 422; 280/47.371, 280/79.6; D14/447
CPC . A63B 22/02; A63B 22/0023; A63B 22/0235; A63B 2210/50; A63B 21/4029; A63B 22/0285; A63B 22/0242; A63B 2225/30; A63B 21/078; A61H 2203/0493; A61H 1/0292; A61H 2201/1284; A61H 1/0222

See application file for complete search history.

(56) **References Cited**

U.S. PATENT DOCUMENTS

5,702,334 A * 12/1997 Lee A63B 23/0227
482/131
D392,702 S * 3/1998 Sands D21/676
D393,891 S * 4/1998 Van Der Hoeven D21/676
5,769,766 A * 6/1998 Huang A63B 21/068
482/123
D408,875 S * 4/1999 Anderson D21/676
5,997,450 A * 12/1999 Wilkinson A63B 23/0211
482/121
6,387,024 B1 * 5/2002 Monti A63B 21/00072
482/130
6,428,450 B1 * 8/2002 Ho A63B 23/0211
482/130
D476,045 S * 6/2003 Casey D21/686
D496,701 S * 9/2004 Chung D21/662
D499,457 S * 12/2004 Kuo D21/690
7,004,894 B1 * 2/2006 Trotter A63B 23/02
482/140
7,137,934 B2 * 11/2006 Paramater A63B 21/068
482/123

(Continued)

Primary Examiner — Robert M. Spear

Assistant Examiner — Ryan Harvey

(74) *Attorney, Agent, or Firm* — Bay State IP, LLC

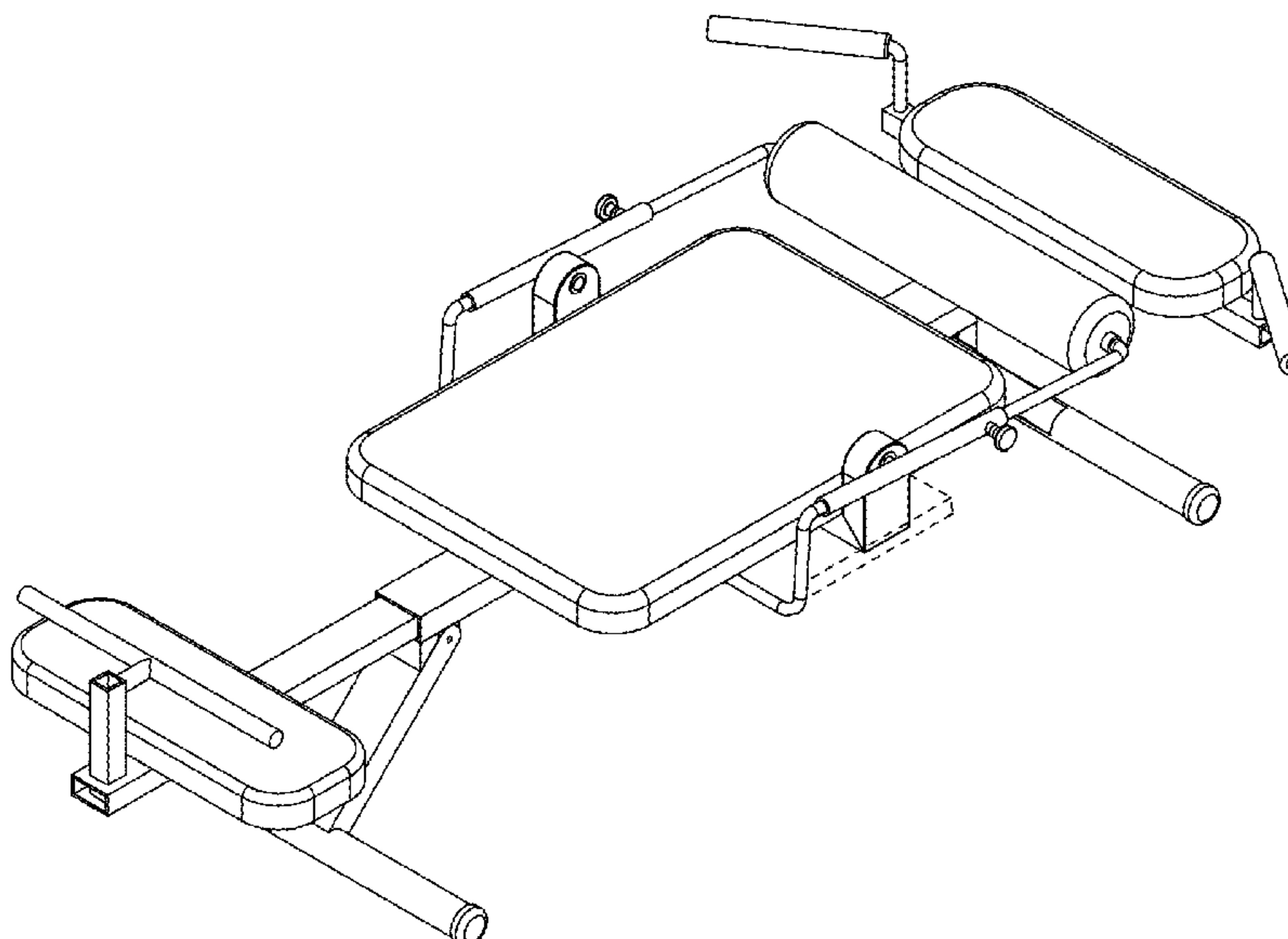
(57) **CLAIM**

I claim the ornamental design for an exercise bench, as shown and described.

DESCRIPTION

FIG. 1 is a front side perspective view showing my new design;
FIG. 2 is a top view thereof;
FIG. 3 is a right side view thereof;
FIG. 4 is a left side view thereof;
FIG. 5 is a bottom view thereof;
FIG. 6 is a front view thereof; and,
FIG. 7 is a back view thereof.

1 Claim, 4 Drawing Sheets



(56)

References Cited

U.S. PATENT DOCUMENTS

7,329,213 B1 * 2/2008 Farley A63B 23/0211
482/140
D641,434 S * 7/2011 Khubani D21/676
D681,753 S * 5/2013 Ellison D21/690
D728,709 S * 5/2015 Ho D21/687
D730,457 S * 5/2015 Ho D21/687
D732,119 S * 6/2015 Ho D21/687
D741,421 S * 10/2015 Ho D21/687
D743,494 S * 11/2015 Ho D21/687
D789,462 S * 6/2017 Ho D21/687
2014/0274617 A1 * 9/2014 Ho A63B 21/159
482/140
2014/0274618 A1 * 9/2014 Ho A63B 21/159
482/140
2015/0375036 A1 * 12/2015 Ho A63B 23/0222
482/140
2015/0375037 A1 * 12/2015 Ho A63B 21/00185
482/140

* cited by examiner

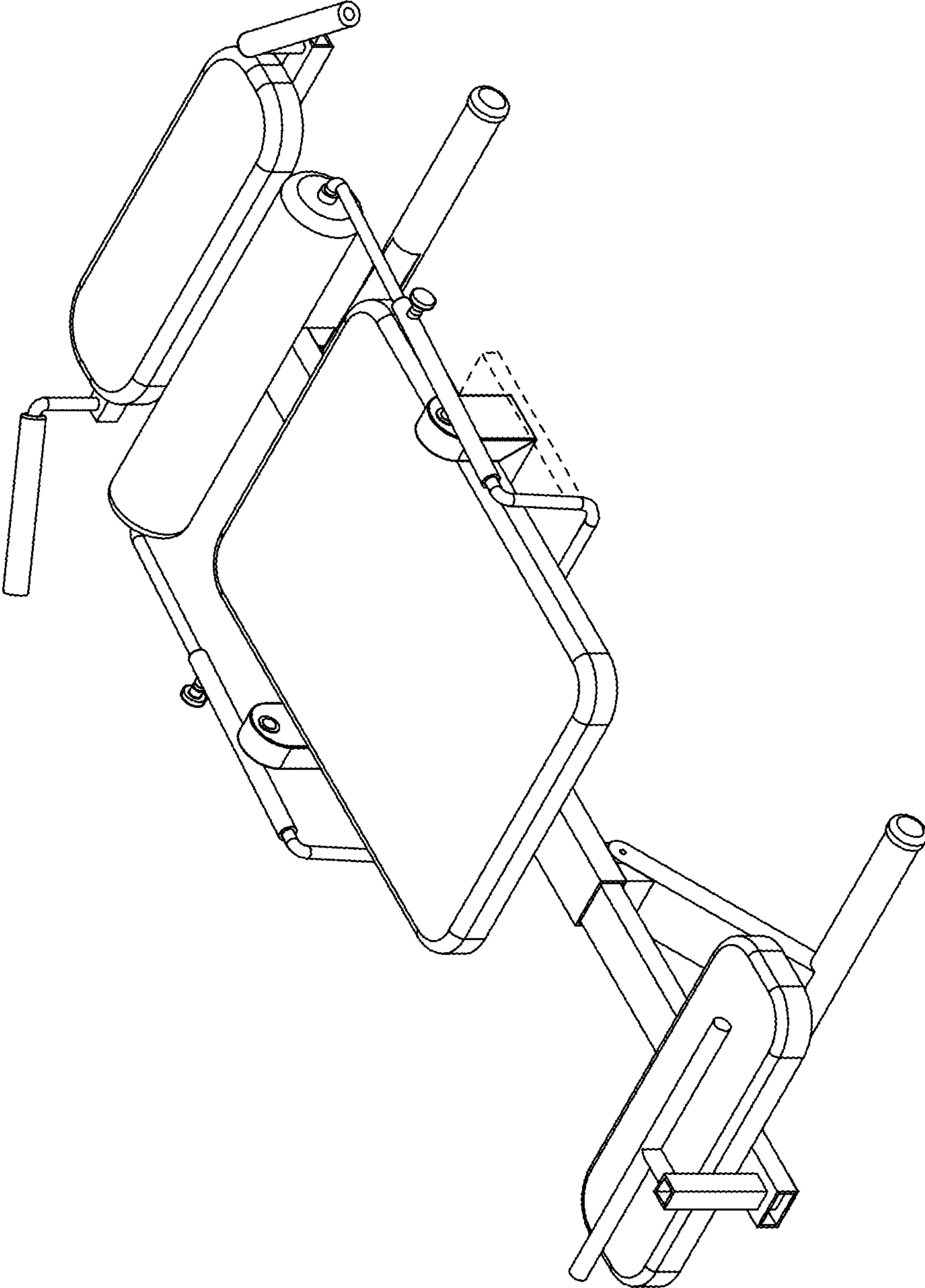


Fig. 1

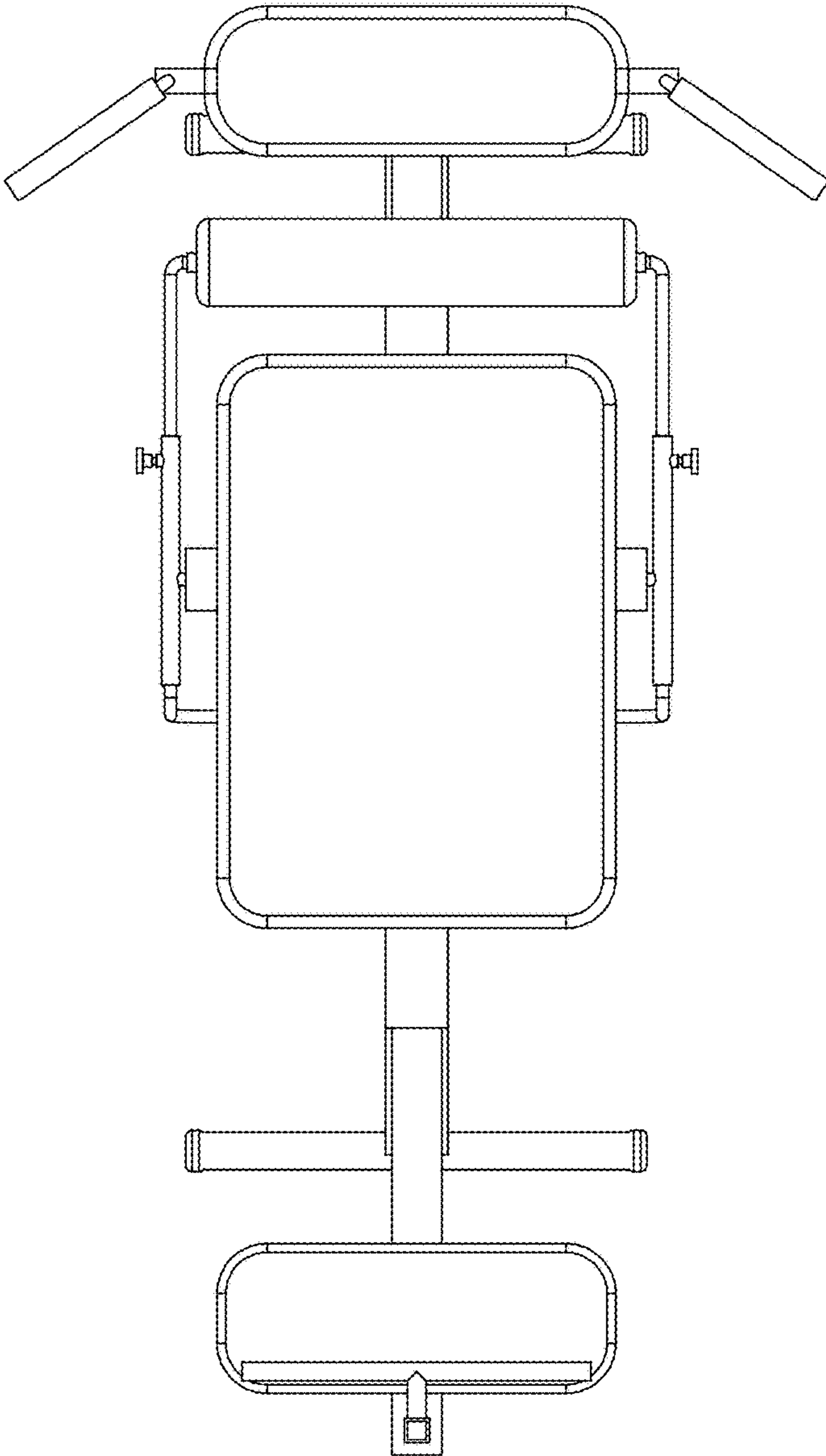


Fig. 2

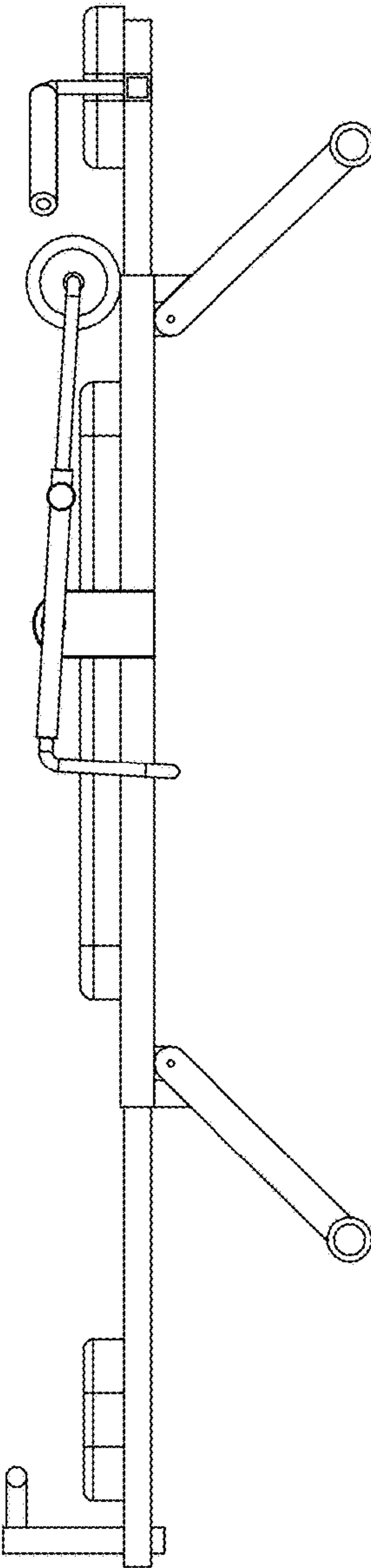


Fig. 3

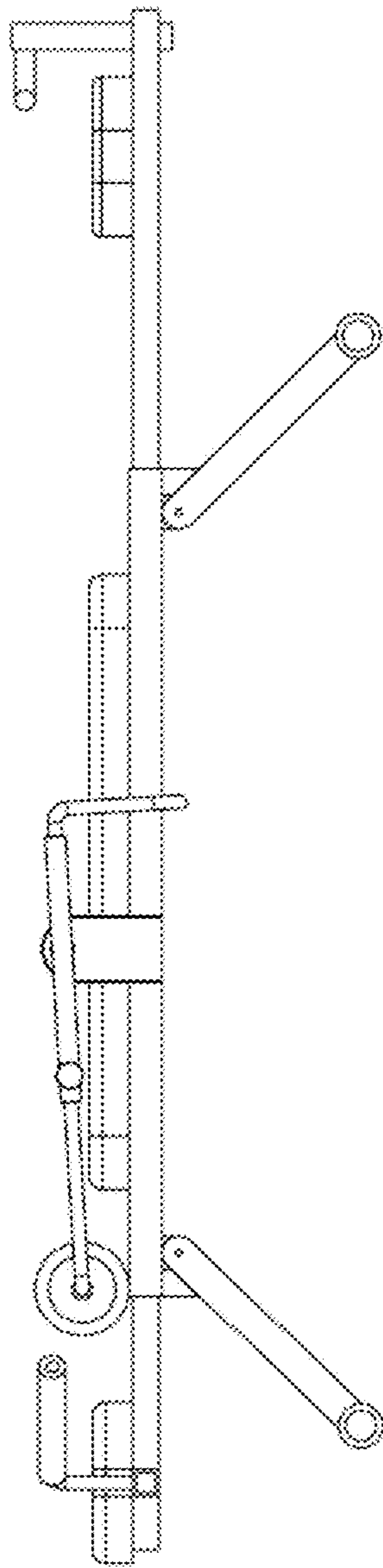


Fig. 4

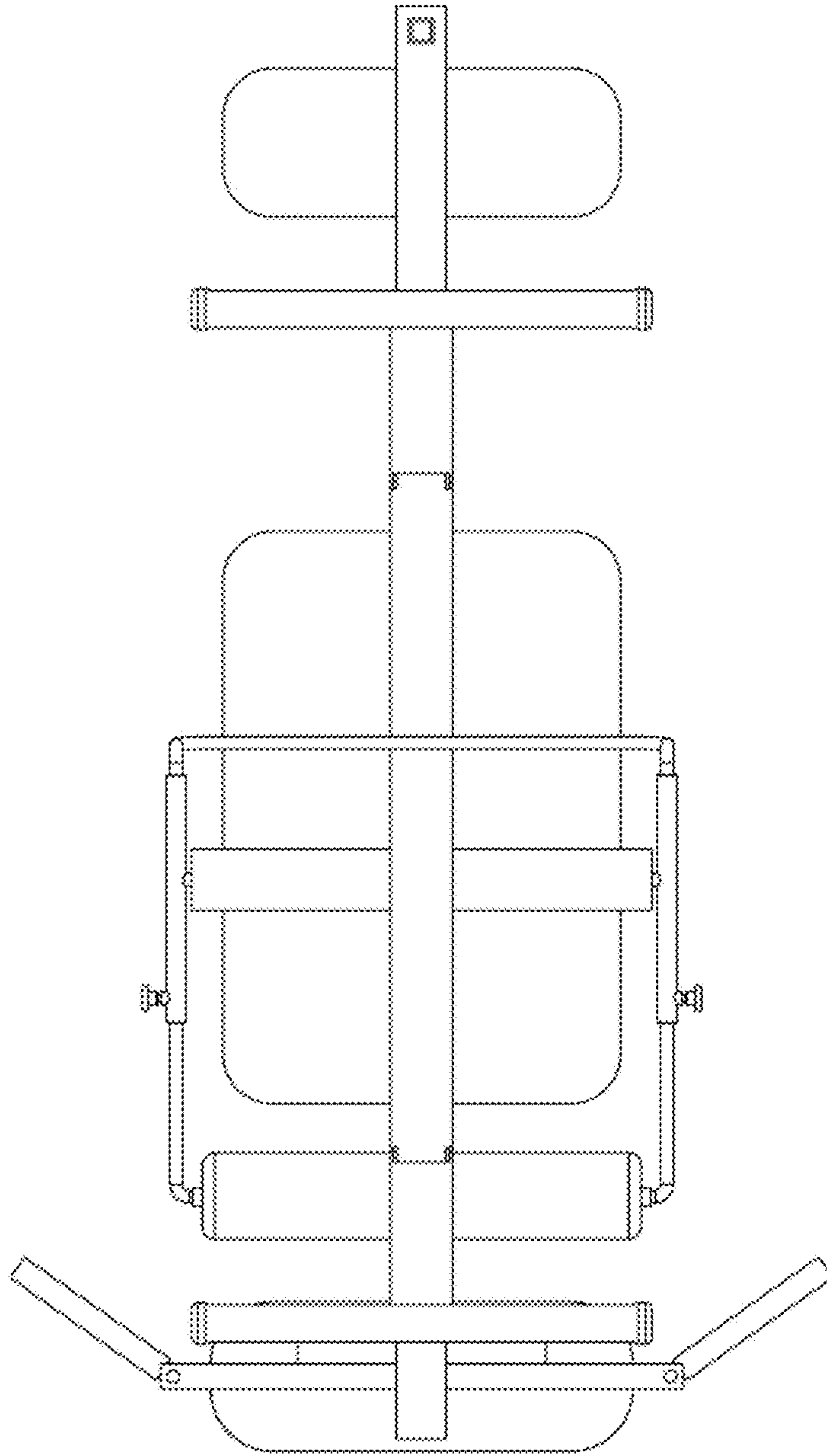


Fig. 5

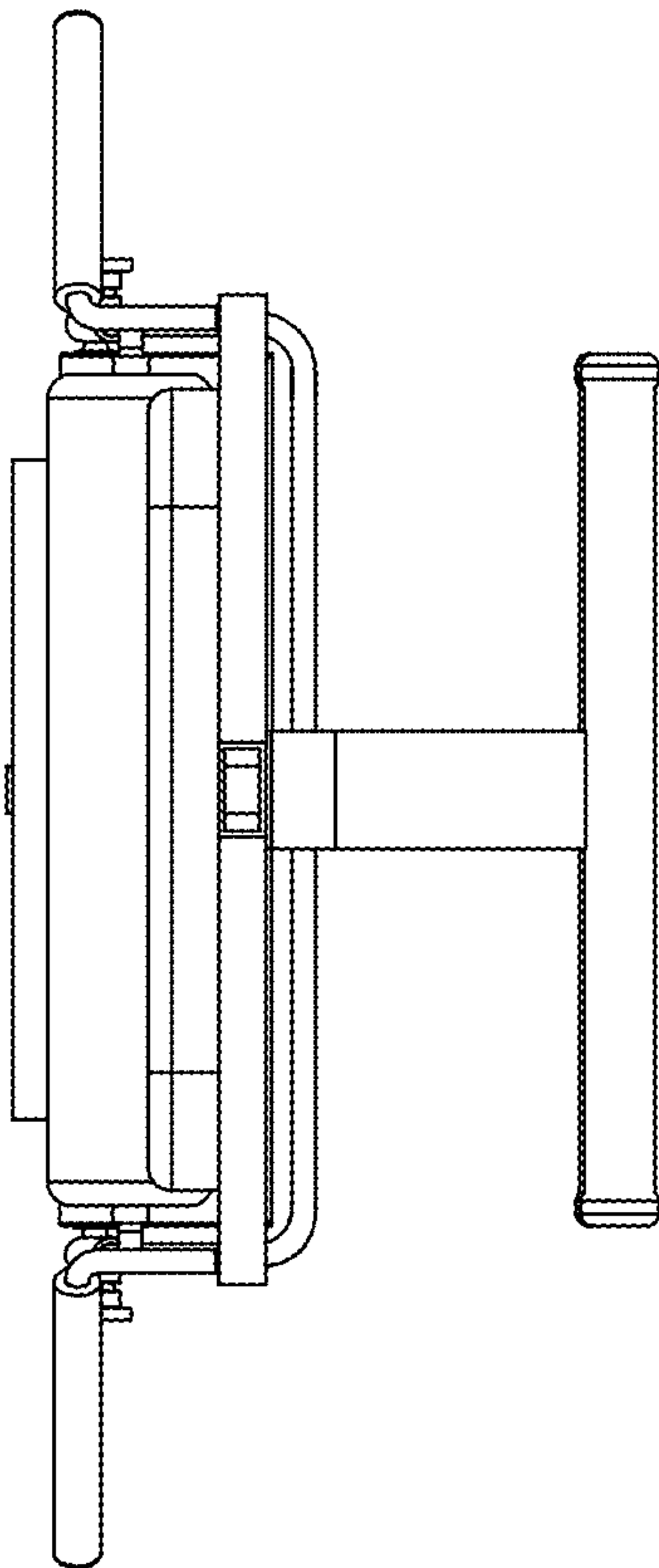


Fig. 6

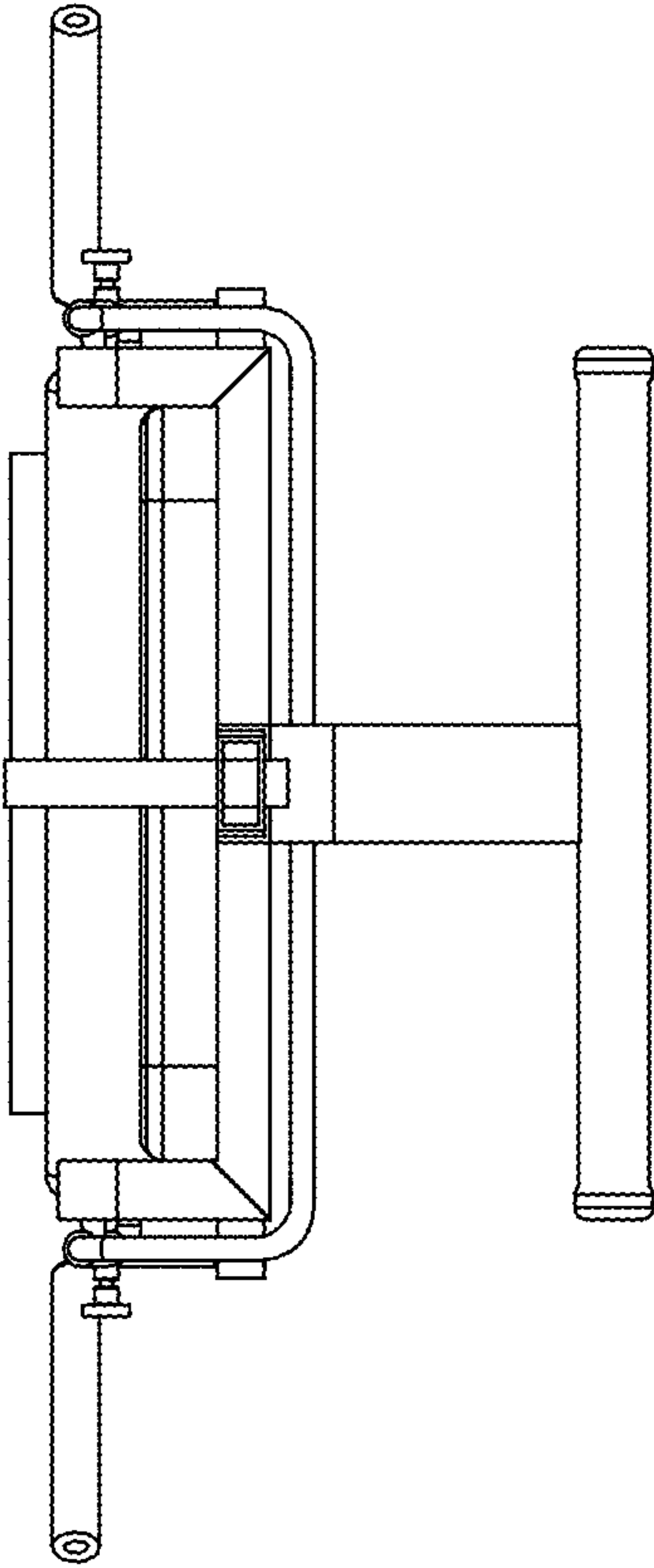


Fig. 7