



US00D816781S

(12) **United States Design Patent**  
**Horikoshi**

(10) **Patent No.:** **US D816,781 S**

(45) **Date of Patent:** **\*\* May 1, 2018**

(54) **LAUNCHING APPARATUS FOR SPINNING TOP TOY**

(71) Applicant: **TOMY COMPANY, LTD.**, Tokyo (JP)

(72) Inventor: **Kenji Horikoshi**, Tokyo (JP)

(73) Assignee: **TOMY COMPANY, LTD.**, Tokyo (JP)

(\*\*) Term: **15 Years**

(21) Appl. No.: **29/620,737**

(22) Filed: **May 17, 2017**

(30) **Foreign Application Priority Data**

Jan. 27, 2017 (JP) ..... 2017-001419

(51) **LOC (11) Cl.** ..... **21-01**

(52) **U.S. Cl.**  
USPC ..... **D21/461**

(58) **Field of Classification Search**  
USPC ..... 446/34, 46-48, 217, 218, 235-245,  
446/246-256, 257-266, 429, 430, 435,  
446/450-453, 486, 487, 489-491;  
D21/385, 390, 398, 436, 441-444,  
(Continued)

(56) **References Cited**

**U.S. PATENT DOCUMENTS**

D610,210 S \* 2/2010 Nishimoto ..... D21/461  
D610,211 S \* 2/2010 Nishimoto ..... D21/461  
D639,349 S \* 6/2011 Horikoshi ..... D21/461

(Continued)

**OTHER PUBLICATIONS**

Amazon, "Beyblade Burst B-88 Bey Launcher LR", Aug. 7, 2017 <https://www.amazon.com/Beyblade-Burst-B-88-Bey->

Launcher/dp/. B071X5YBB8/ref=cm\_cr\_arp\_d\_product\_top?ie=UTF8. Shown on p. 1. (Year: 2017).\*

*Primary Examiner* — Cynthia Ramirez

*Assistant Examiner* — Michael A Maharajh

(74) *Attorney, Agent, or Firm* — Staas & Halsey LLP

(57) **CLAIM**

The ornamental design for a launching apparatus for spinning top toy, as shown and described.

**DESCRIPTION**

FIG. 1 is a front view of the launching apparatus for spinning top toy showing my design;

FIG. 2 is a left side view thereof, showing an operation switching part on the left of the figure in a first position;

FIG. 3 is a rear view thereof, showing the operation switching part in a central area of the figure in the first position;

FIG. 4 is a right side view thereof, showing the operation switching part on the right side of the figure in the first position;

FIG. 5 is a top view thereof, showing the operation switching part on the upper area of the figure in the first position;

FIG. 6 is a bottom view thereof, showing the operation switching part at a lower area of the figure in the first position;

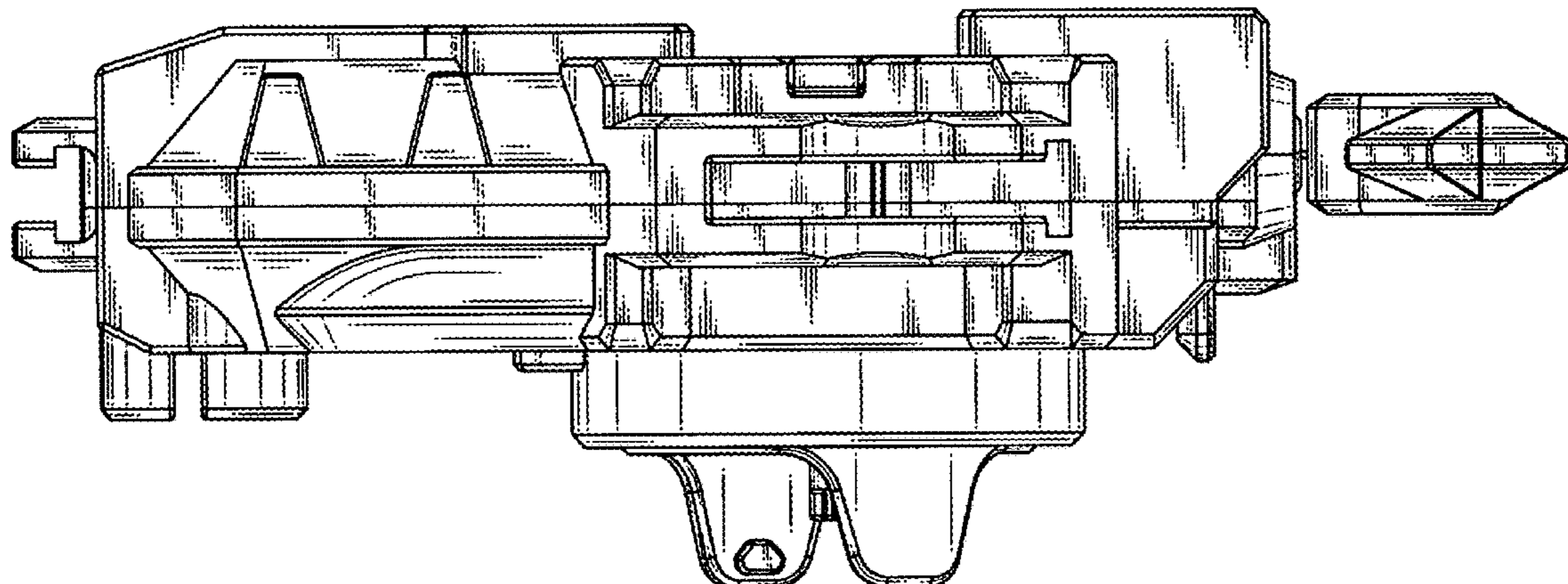
FIG. 7 is a front perspective view thereof, showing the operation switching part at an upper right area of the figure in the first position;

FIG. 8 is a rear perspective view thereof, showing the operation switching part at an upper left area of the figure in the first position;

FIG. 9 is a front, top and right side view, showing the operation switching part at an upper right area of the figure moved into a second position; and,

FIG. 10 is a rear, bottom and left side view, showing the operation switching part at an upper left area of the figure moved into the second position.

**1 Claim, 10 Drawing Sheets**



(58) **Field of Classification Search**

USPC ..... D21/453-464, 561-563, 578, 585, 592;  
273/147, 317

CPC ..... A63H 17/008; A63H 27/14; A63H 29/20;  
A63H 29/24

See application file for complete search history.

(56) **References Cited**

U.S. PATENT DOCUMENTS

D790,635 S \* 6/2017 Horikoshi ..... D21/461  
D790,636 S \* 6/2017 Horikoshi ..... D21/461  
2006/0099879 A1 \* 5/2006 McGrath ..... A63H 17/006  
446/236  
2017/0173477 A1 \* 6/2017 Shindo ..... A63H 1/04

\* cited by examiner

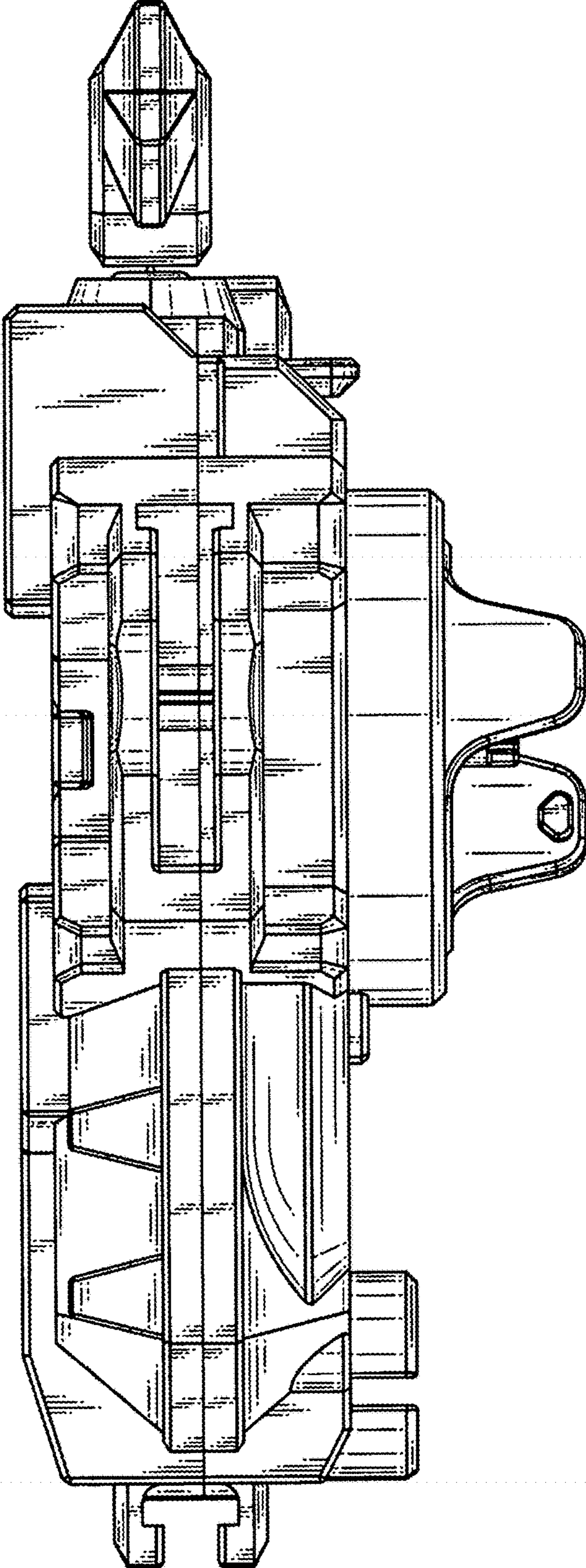


FIG. 1

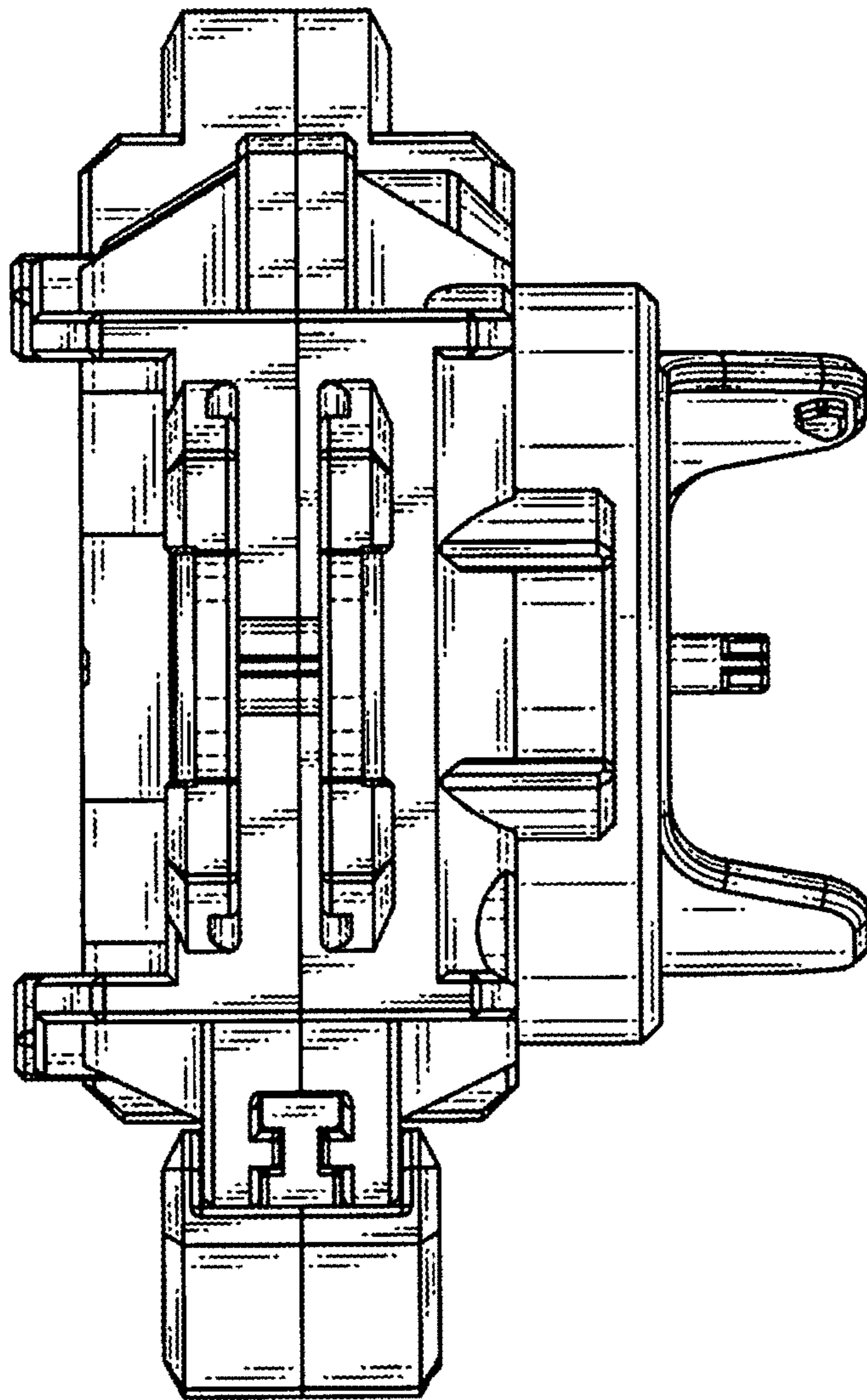


FIG. 2

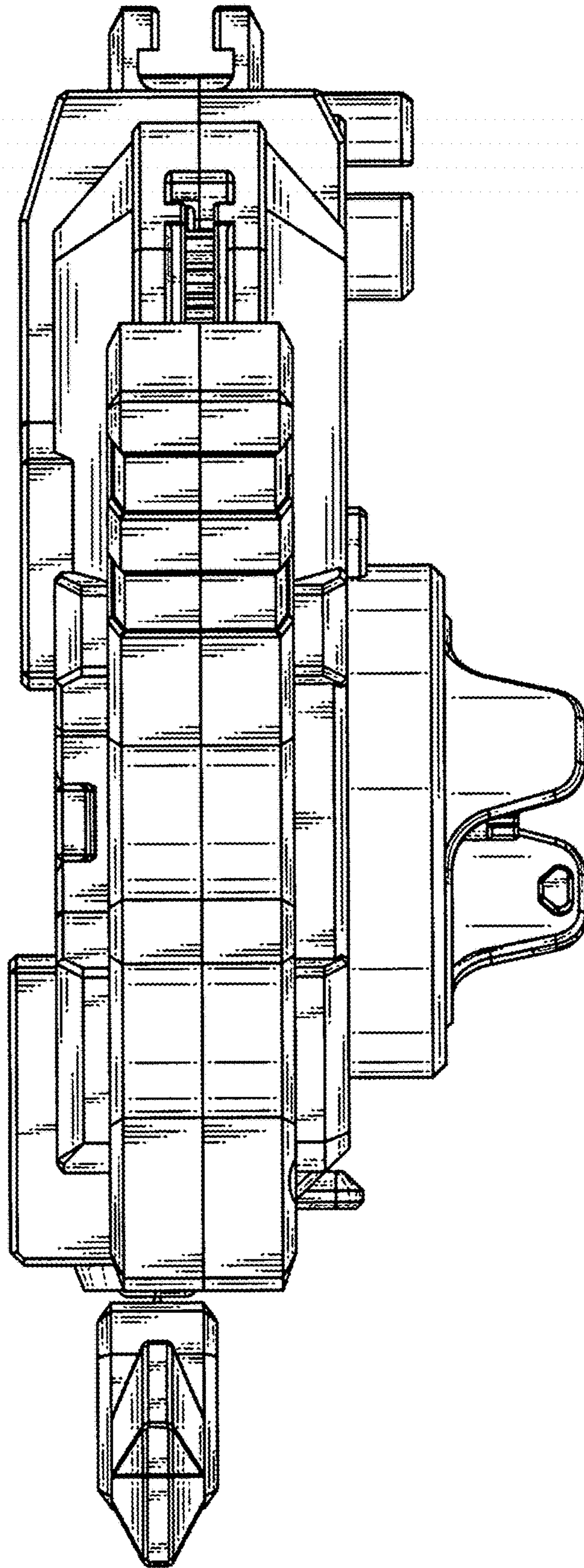


FIG. 3

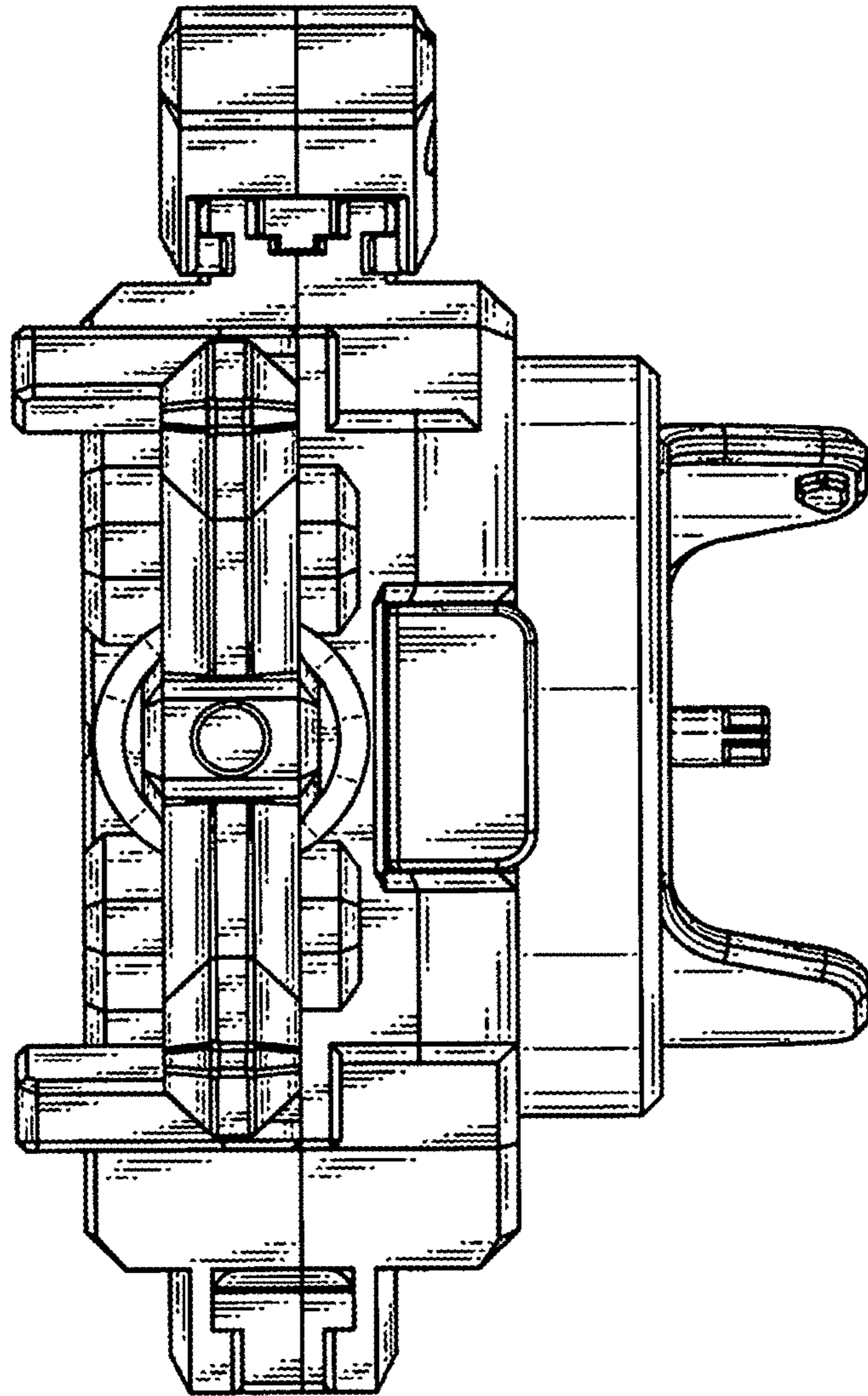


FIG. 4

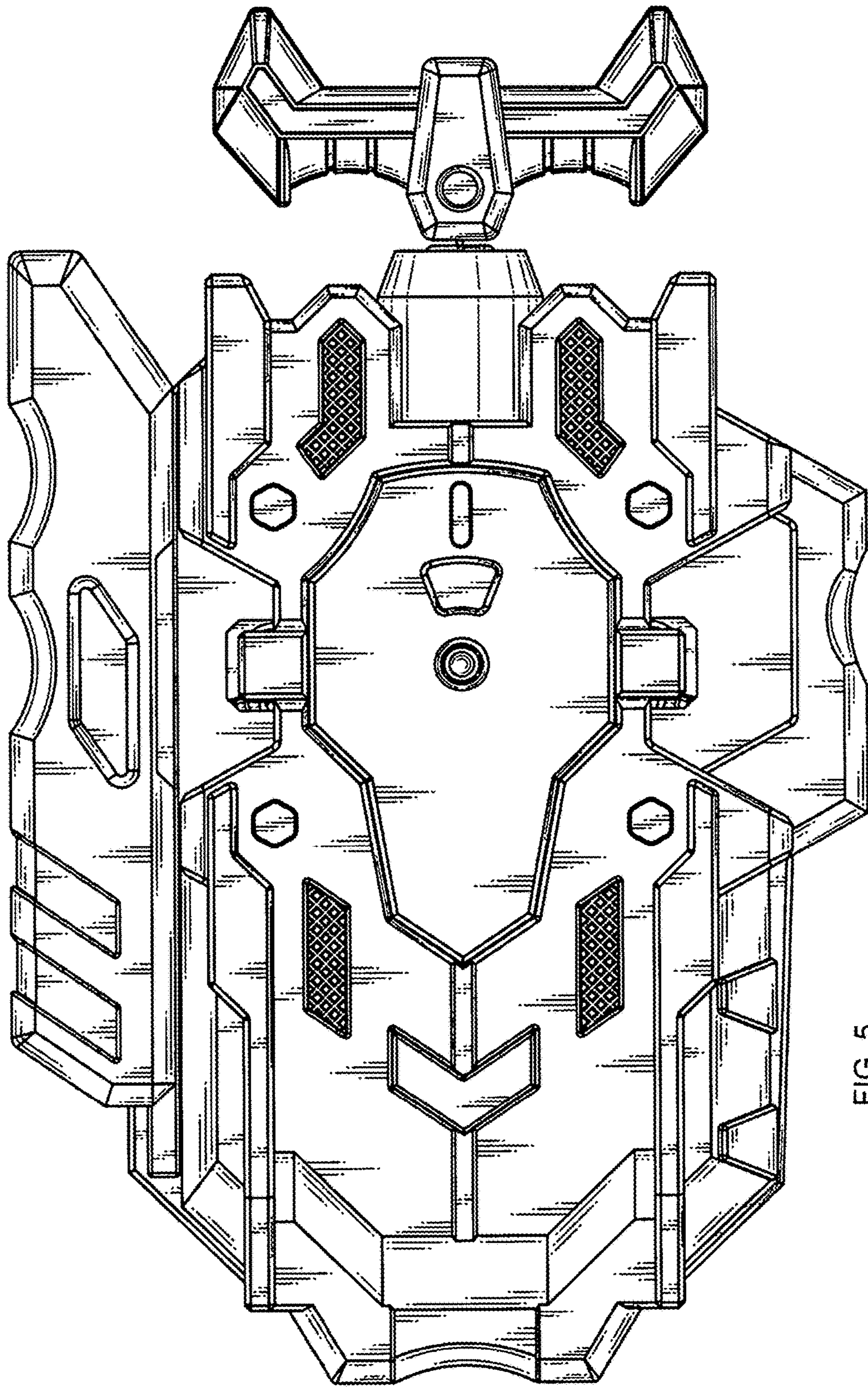


FIG. 5

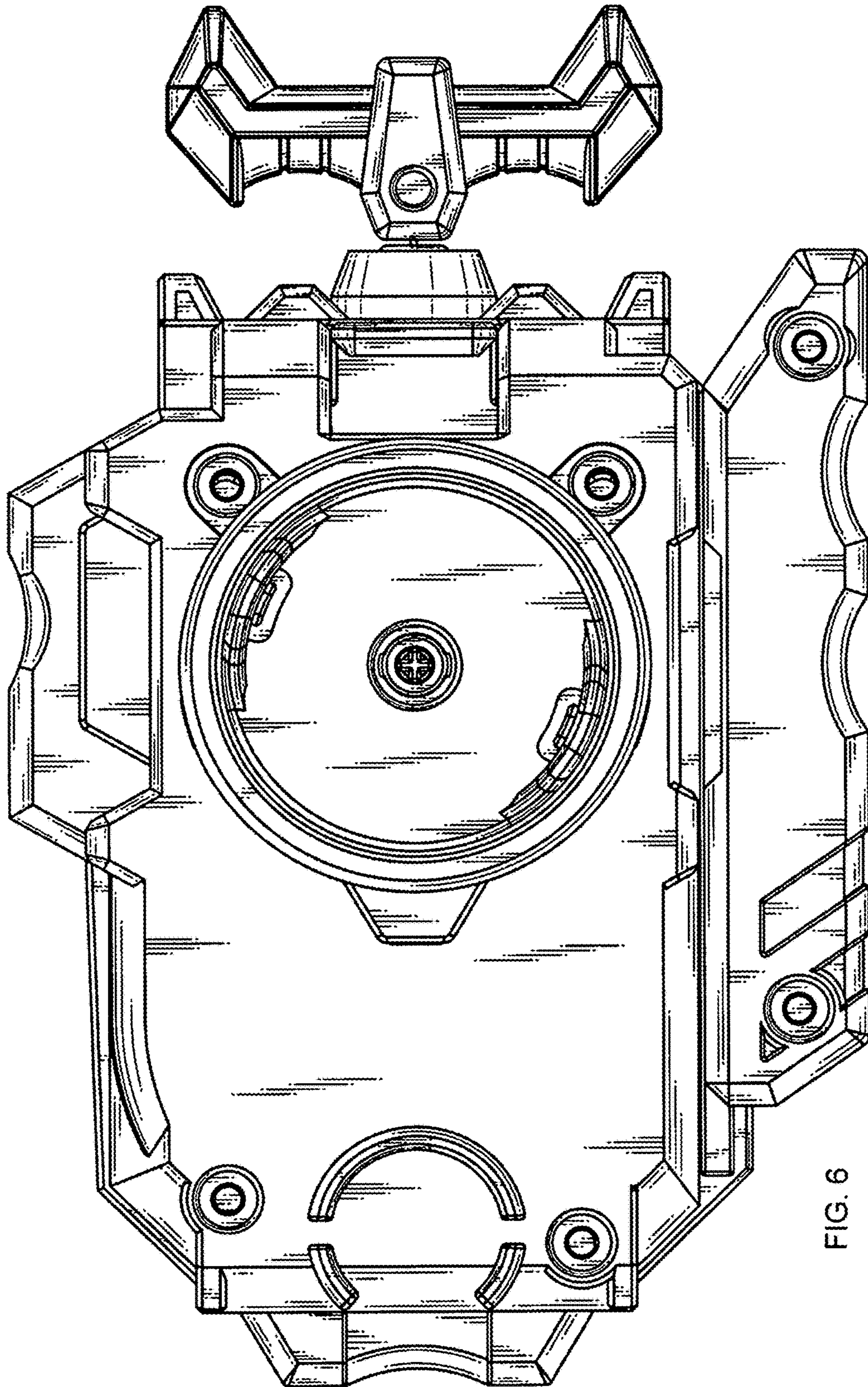


FIG. 6



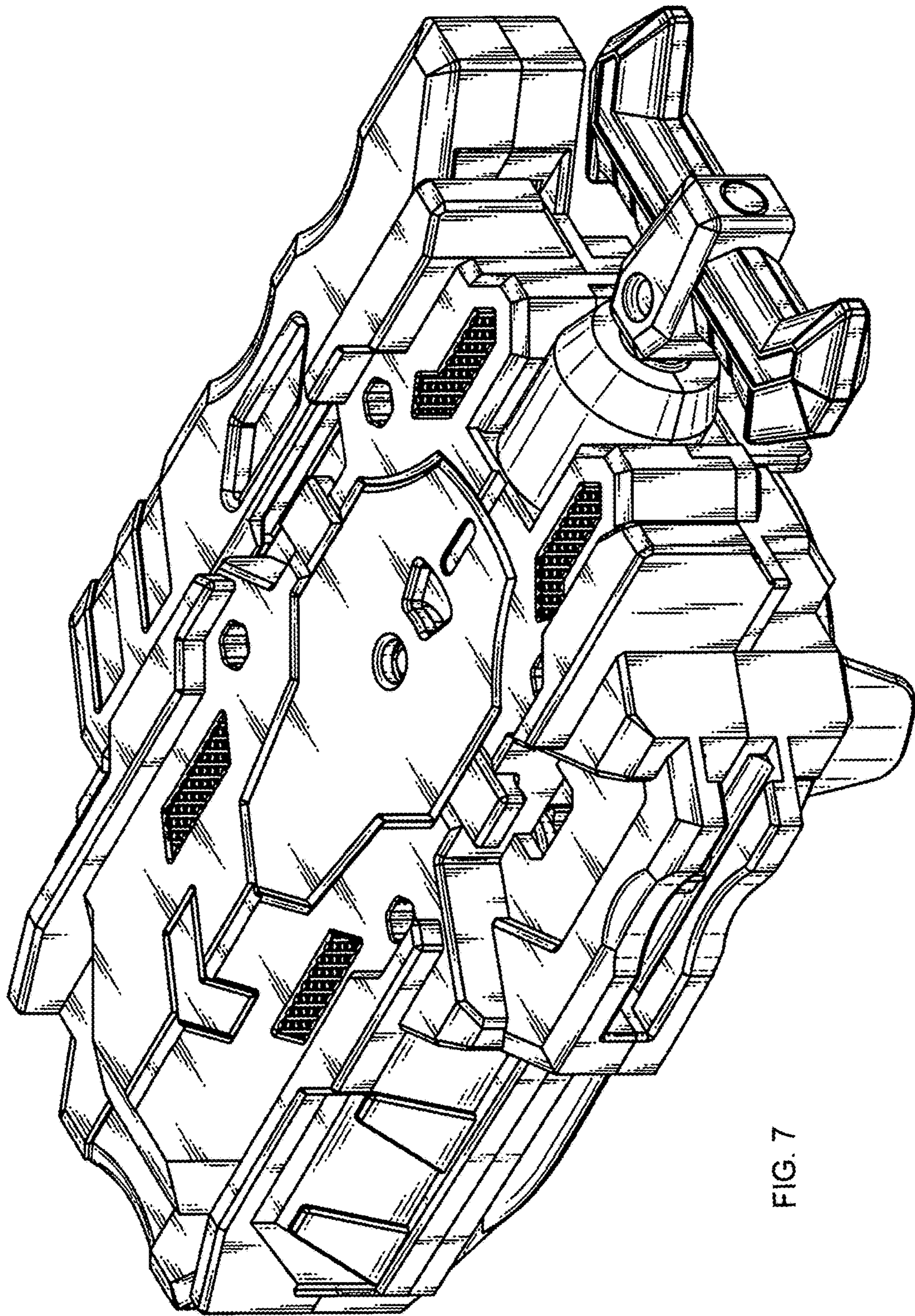


FIG. 7

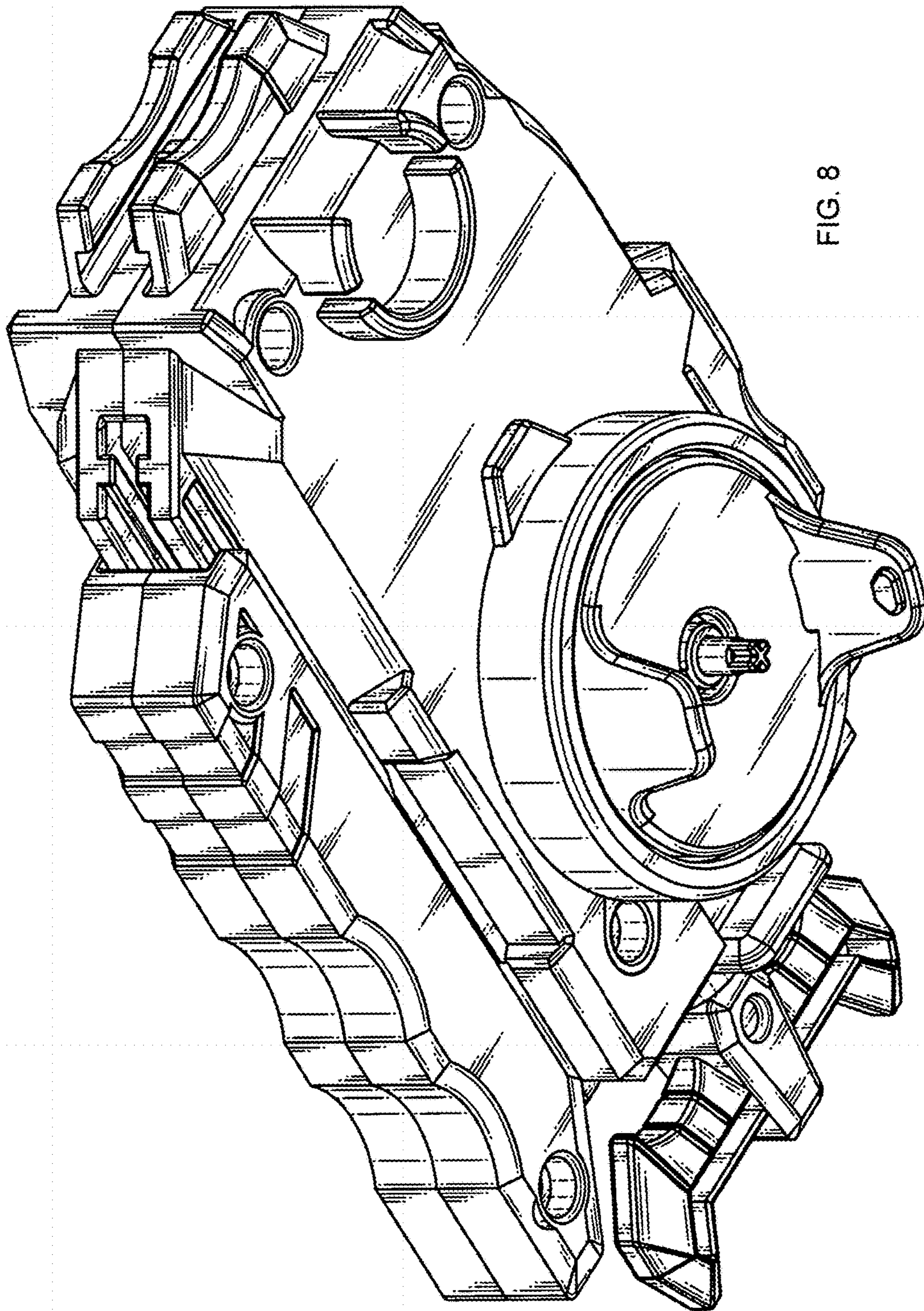


FIG. 8

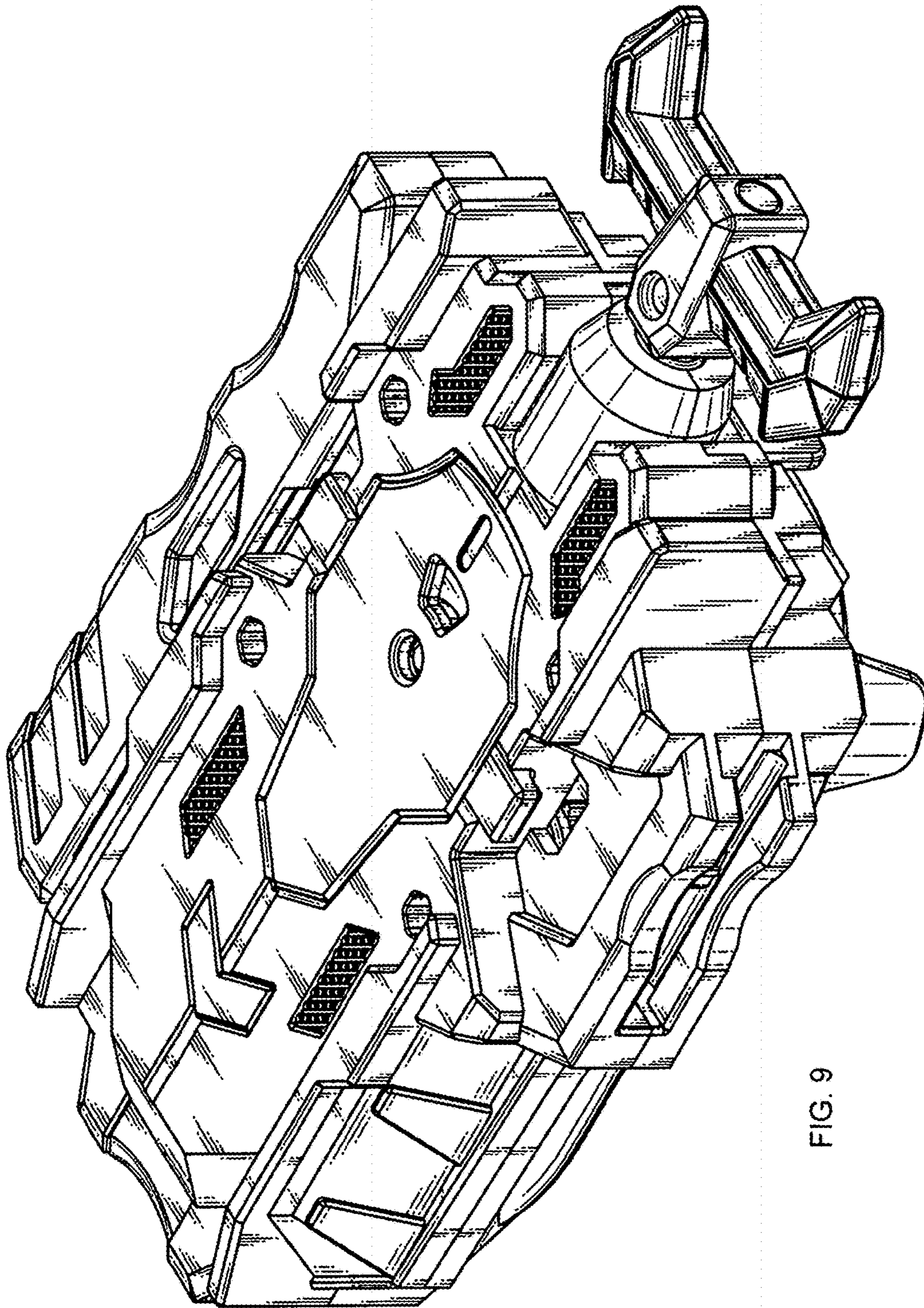


FIG. 9

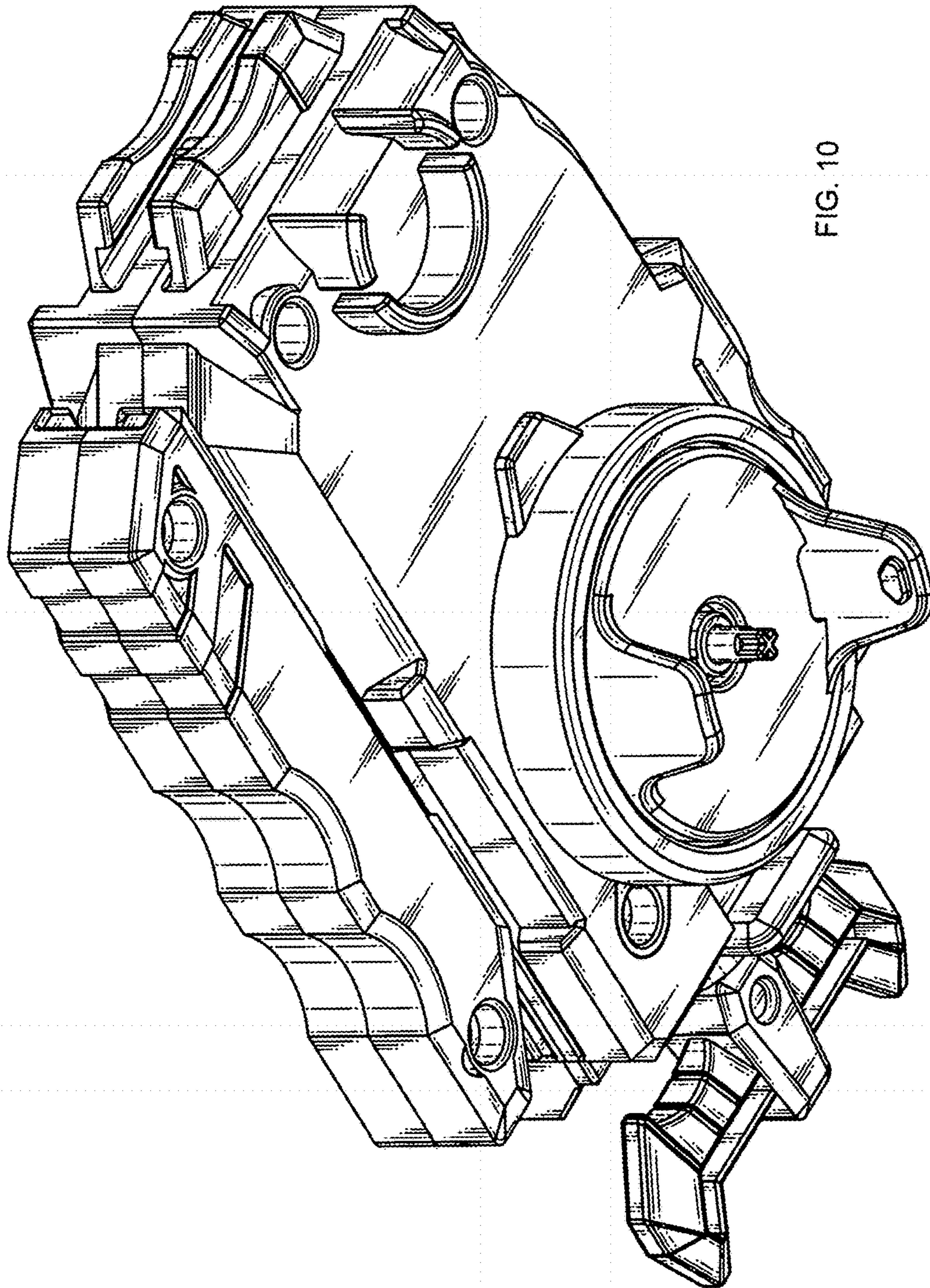


FIG. 10