



US00D816780S

(12) **United States Design Patent**
Beekzad

(10) **Patent No.:** **US D816,780 S**

(45) **Date of Patent:** **** May 1, 2018**

- (54) **RUNNING WHEEL**
- (71) Applicant: **Gul Mohammad Beekzad**, Fremont, CA (US)
- (72) Inventor: **Gul Mohammad Beekzad**, Fremont, CA (US)
- (**) Term: **15 Years**
- (21) Appl. No.: **29/566,683**
- (22) Filed: **Jun. 1, 2016**
- (51) **LOC (11) Cl.** **21-01**
- (52) **U.S. Cl.**
USPC **D21/457**
- (58) **Field of Classification Search**
USPC D21/386, 387, 390, 398, 421, 444, D21/455-461, 463, 464, 465, 488, 502, D21/563, 680, 707, 710; 446/236-266, 446/431, 450-453
CPC A63H 1/00-1/32; A63H 33/00; A63H 33/007; A63H 33/02
See application file for complete search history.

- (56) **References Cited**
U.S. PATENT DOCUMENTS
D55,412 S * 6/1920 Brown D21/457
1,803,638 A * 5/1931 Nudelman A63H 1/32
446/214
1,952,832 A * 3/1934 Allen A63H 33/007
122/235.15
2,811,812 A * 11/1957 Bishop A63H 33/02
446/450
3,088,739 A * 5/1963 Sawyer A63B 67/08
273/109
D206,599 S * 1/1967 Turner et al. D21/457
3,575,414 A * 4/1971 O'Brien A63H 33/02
446/236
4,091,564 A * 5/1978 Jasinski A63H 33/02
273/126 R

- 4,188,749 A * 2/1980 Oliver A63H 33/02
446/450
- D281,616 S * 12/1985 McGuire D21/457
- 4,917,650 A * 4/1990 Paultre A63H 33/02
446/453
- D333,849 S * 3/1993 Gardner D21/463
- D344,105 S * 2/1994 Offutt D21/421
- 5,330,381 A * 7/1994 Hutcheson A63H 33/02
446/450
- 5,377,974 A * 1/1995 Rodriguez Rivera A63F 7/00
273/108
- 5,443,270 A * 8/1995 Loritz A63F 3/00697
273/290
- 5,788,557 A * 8/1998 Pierre-Louis A63H 33/02
446/450
- D428,944 S * 8/2000 Einsel D21/457
(Continued)

FOREIGN PATENT DOCUMENTS

- FR 347714 A * 3/1905 A63H 1/28
- FR 607501 A * 7/1926 A63H 33/02
- WO WO-2005082482 A1 * 9/2005 A63H 1/30

Primary Examiner — Catherine A Tuttle
(74) *Attorney, Agent, or Firm* — Tran & Associates

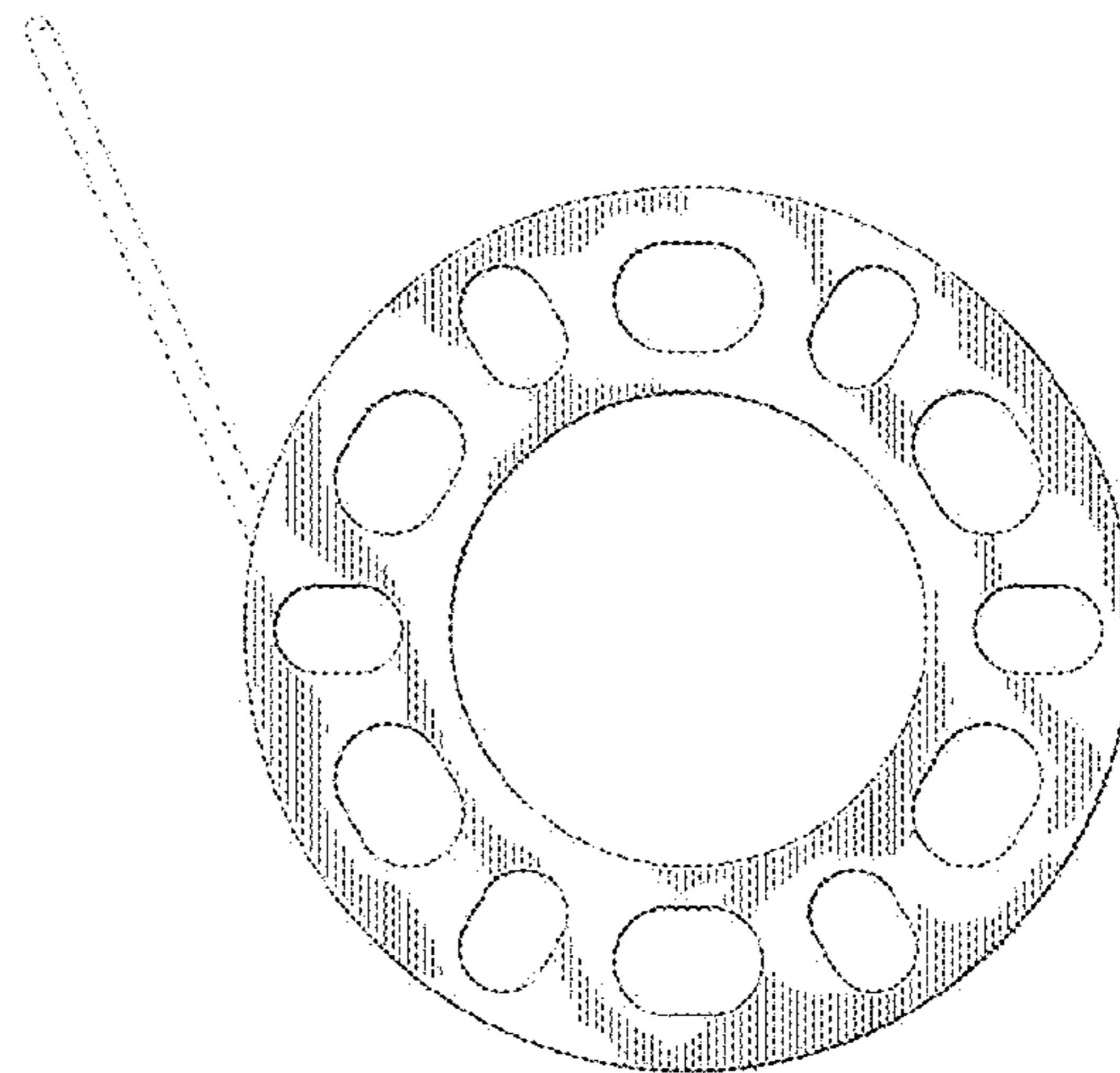
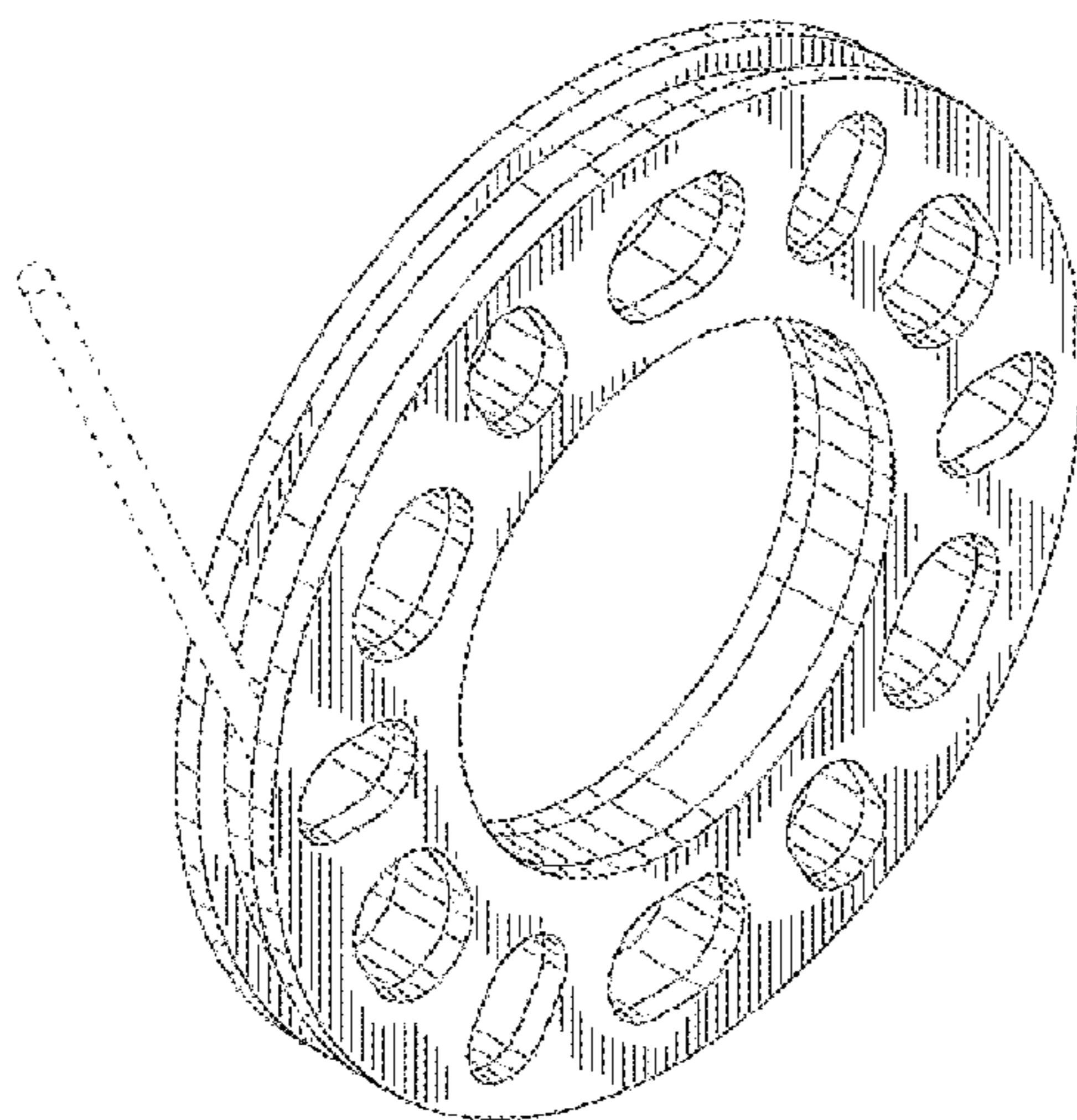
(57) **CLAIM**

The ornamental design for a running wheel, as shown and described.

DESCRIPTION

FIG. 1 is a perspective view showing my new design for a running wheel;
FIG. 2 is a side view thereof;
FIG. 3 is a front view thereof;
FIG. 4 is a rear view thereof;
FIG. 5 is a top view thereof; and,
FIG. 6 is a bottom view thereof.
The broken line showing of the stick is included for the purpose of illustrating portions of the article and forms no part of the claimed design.

1 Claim, 4 Drawing Sheets



(56)

References Cited

U.S. PATENT DOCUMENTS

D454,167 S * 3/2002 Lincir D21/680
D526,029 S * 8/2006 Ragonetti A01K 15/025
D21/444
2012/0032394 A1* 2/2012 Levine A63F 3/00157
273/238

* cited by examiner

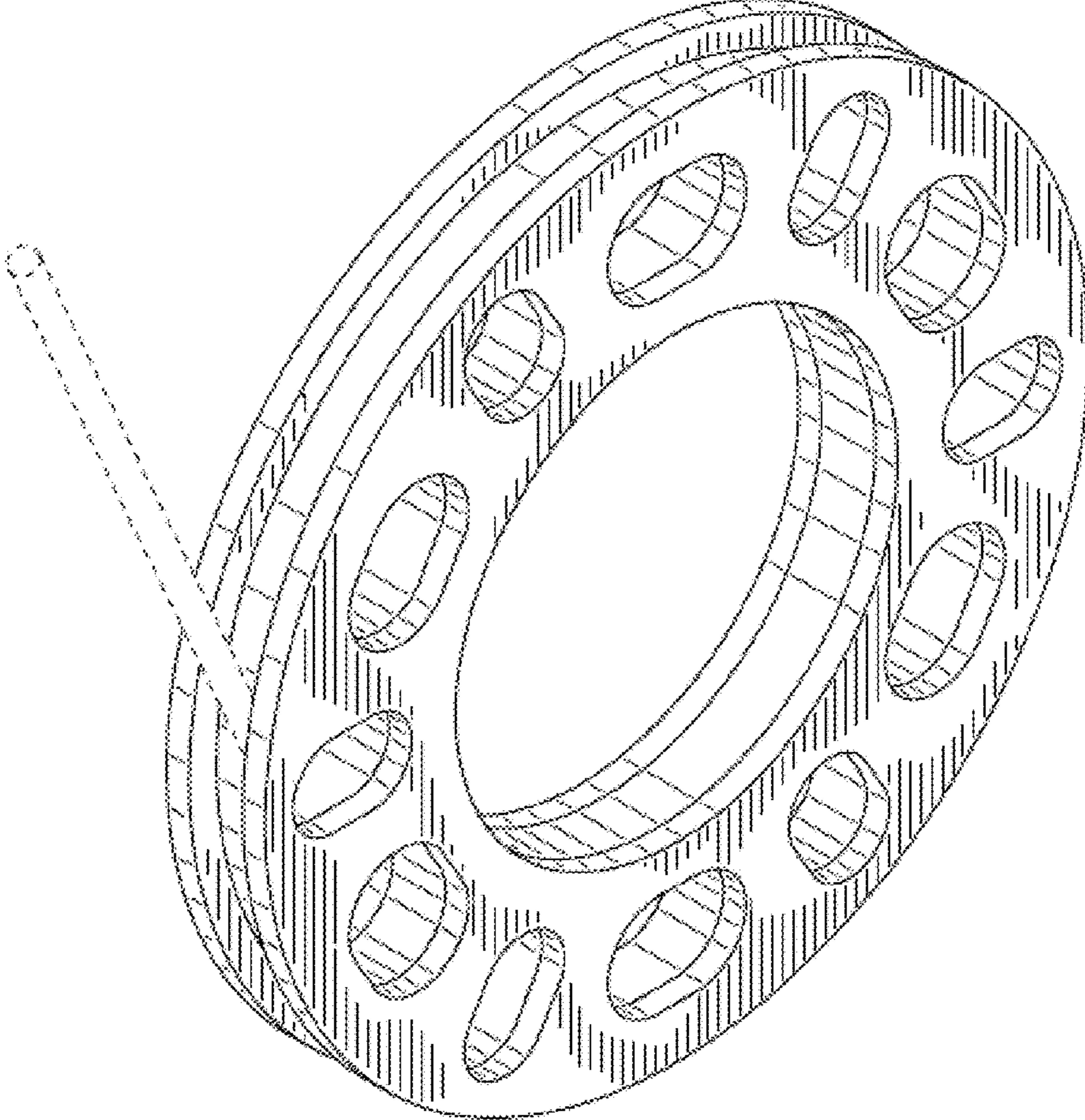


FIG. 1

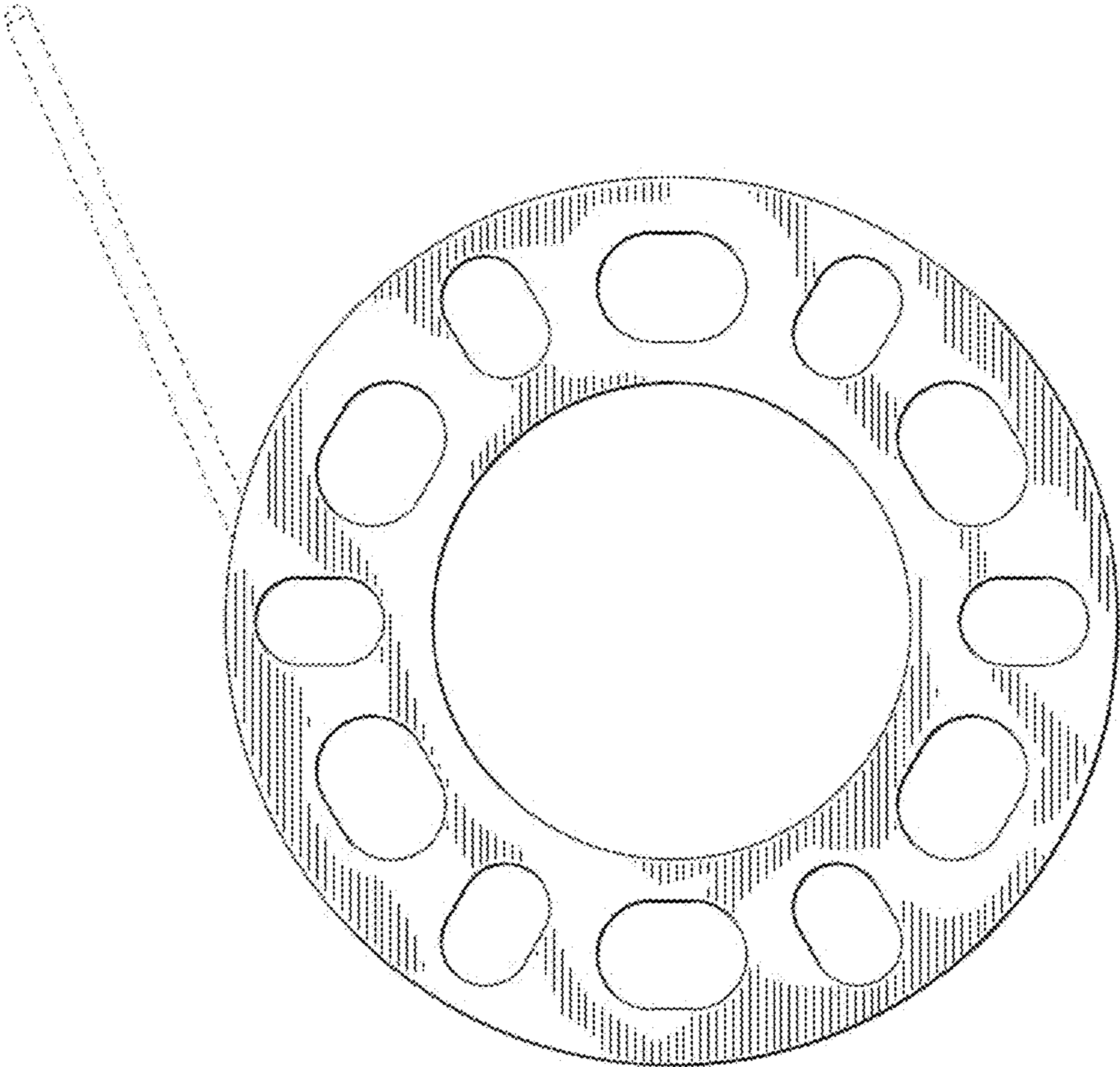


FIG. 2

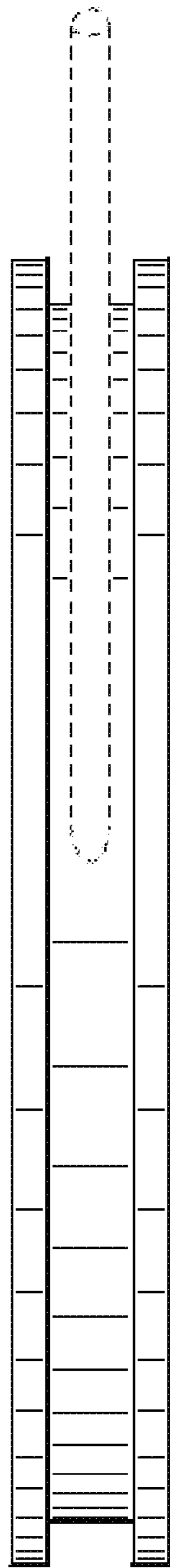


FIG. 3

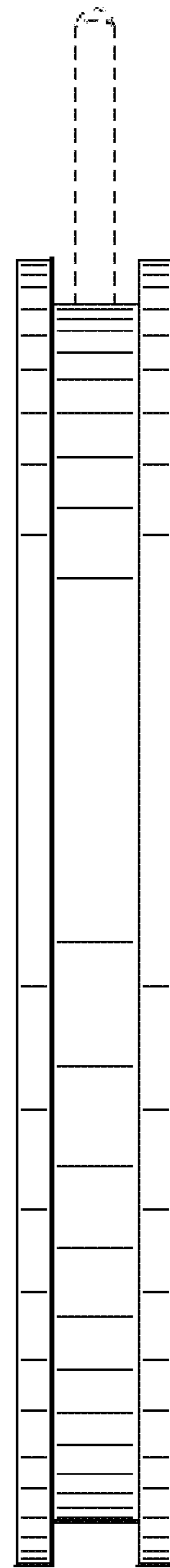


FIG. 4

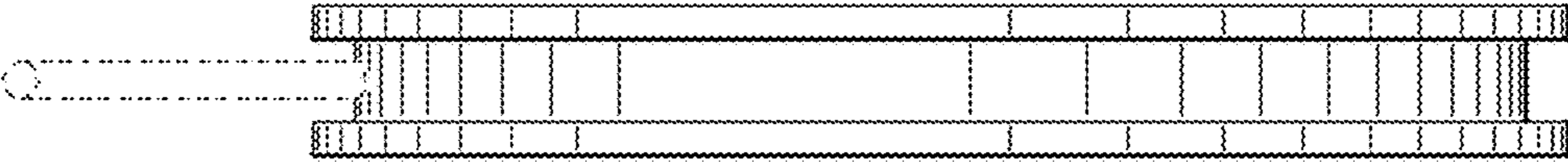


FIG. 5

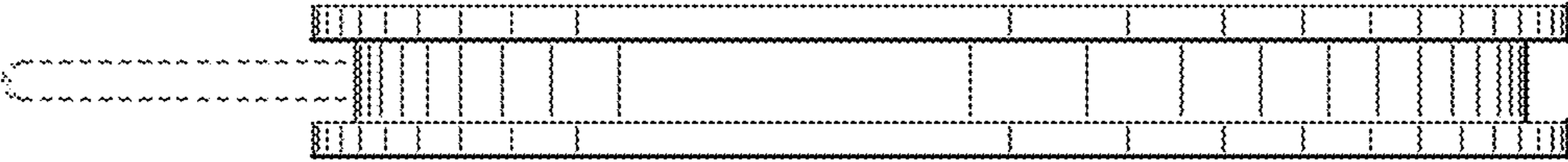


FIG. 6