



US00D816779S

(12) **United States Design Patent**
Ouyang et al.

(10) **Patent No.:** **US D816,779 S**

(45) **Date of Patent:** **** May 1, 2018**

(54) **ELECTRIC SCOOTER**

(71) Applicants: **Changjun Ouyang**, Hunan (CN);
Xiaojie Xiao, Guangdong (CN)

(72) Inventors: **Changjun Ouyang**, Hunan (CN);
Xiaojie Xiao, Guangdong (CN)

(**) Term: **15 Years**

(21) Appl. No.: **29/588,827**

(22) Filed: **Dec. 23, 2016**

(30) **Foreign Application Priority Data**

Jun. 23, 2016 (CN) 2016 3 0272881
Aug. 29, 2016 (CN) 2016 3 0439332

(51) **LOC (11) Cl.** **21-01**

(52) **U.S. Cl.**
USPC **D21/423**; D12/8

(58) **Field of Classification Search**
USPC D12/1, 8, 107, 108, 111, 112, 113;
D21/432, 538

CPC B62K 11/00; B62K 11/02; B62K 11/04;
B62K 11/10; B62K 17/00; B62K 19/00;
B62K 2202/00

See application file for complete search history.

(56) **References Cited**

U.S. PATENT DOCUMENTS

D456,460	S	*	4/2002	Tseng	D21/423
D486,532	S	*	2/2004	Christianson	D21/423
D489,771	S	*	5/2004	Laver	D21/423
D492,367	S	*	6/2004	Dennis	D21/423
D497,397	S	*	10/2004	Sramek	D21/423
D516,132	S	*	2/2006	Sramek	D21/423
D565,670	S	*	4/2008	Henry	D21/423
D645,522	S	*	9/2011	Powers	D21/423
D691,671	S	*	10/2013	Chen	D21/423
D692,963	S	*	11/2013	Radtke	D21/423

D693,414	S	*	11/2013	Hadley	D21/423
D717,881	S	*	11/2014	Radtke	D21/423
8,925,935	B2	*	1/2015	Powers	B62K 15/00 280/655.1
D727,833	S	*	4/2015	Talios	D12/423
D736,324	S	*	8/2015	Lu	D21/423
D750,180	S	*	2/2016	Edlauer	D21/423
D756,464	S	*	5/2016	Edlauer	D21/423
D772,990	S	*	11/2016	Allais	D21/423
D774,145	S	*	12/2016	Hadley	D21/423
D806,176	S	*	12/2017	Peng	D21/423
2002/0088659	A1	*	7/2002	Wong	B62D 61/02 180/220
2002/0170763	A1	*	11/2002	Townsend	B60L 15/20 180/220
2003/0221888	A1	*	12/2003	McKinney, Jr.	B62K 3/002 180/181

(Continued)

Primary Examiner — Darlington Ly

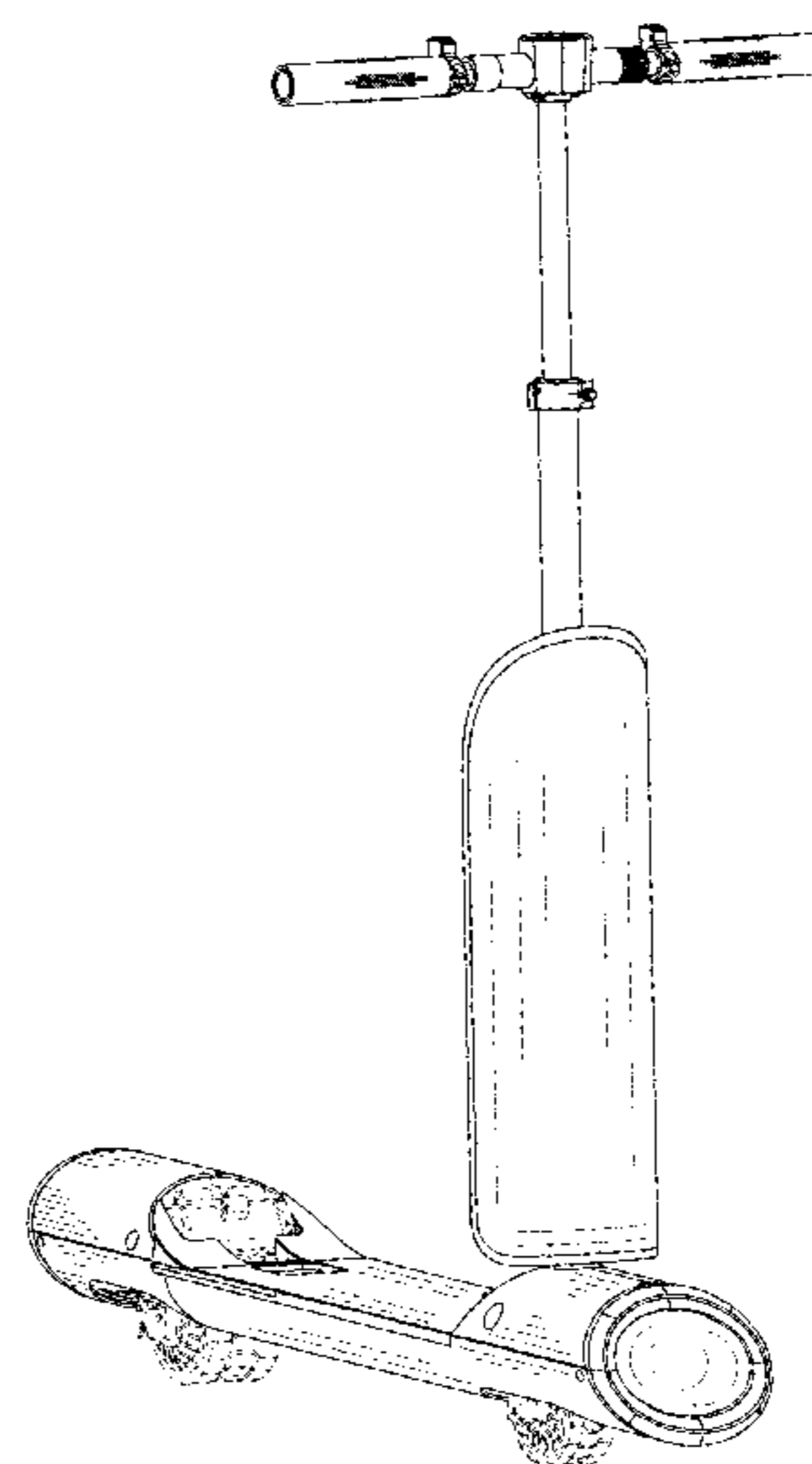
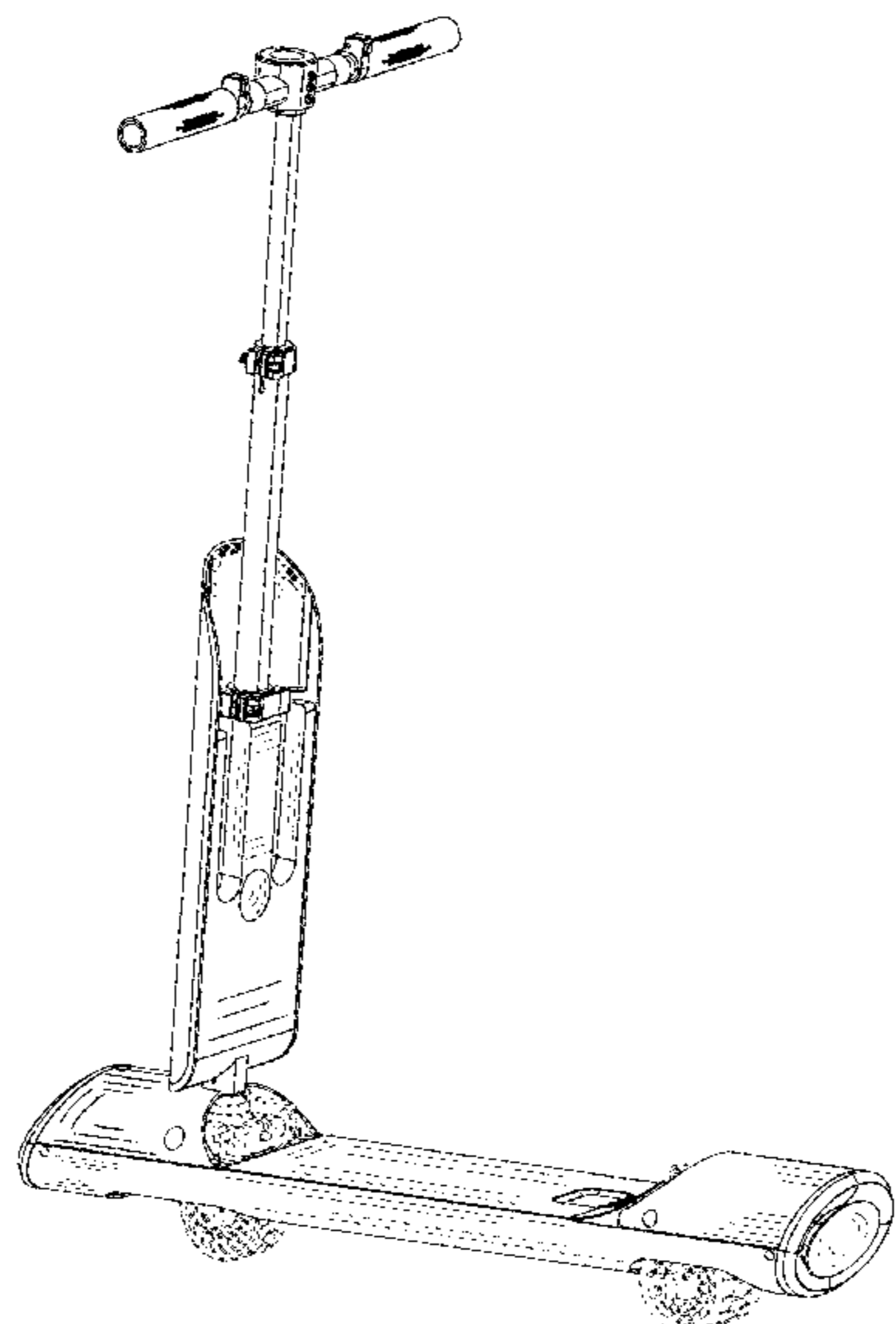
(57) **CLAIM**

The ornamental design for an electric scooter, as shown and described.

DESCRIPTION

FIG. 1 is front elevation view of an electric scooter showing our new design;
 FIG. 2 is a rear elevation view thereof;
 FIG. 3 is a right side elevation view thereof;
 FIG. 4 is a left side elevation view thereof;
 FIG. 5 is a top plan view thereof;
 FIG. 6 is a bottom plan view thereof;
 FIG. 7 is a top, rear, and left side perspective view thereof;
 FIG. 8 is a top, front, and right side perspective view thereof;
 and,
 FIG. 9 is a top, front, and right side perspective view thereof in a folded state.
 The broken lines in the drawings illustrate portions of the electric scooter which form no part of the claimed design.

1 Claim, 9 Drawing Sheets



(56)

References Cited

U.S. PATENT DOCUMENTS

2013/0320648 A1* 12/2013 Eckert B62K 3/002
280/279
2014/0196968 A1* 7/2014 Bieler B62M 6/65
180/181

* cited by examiner

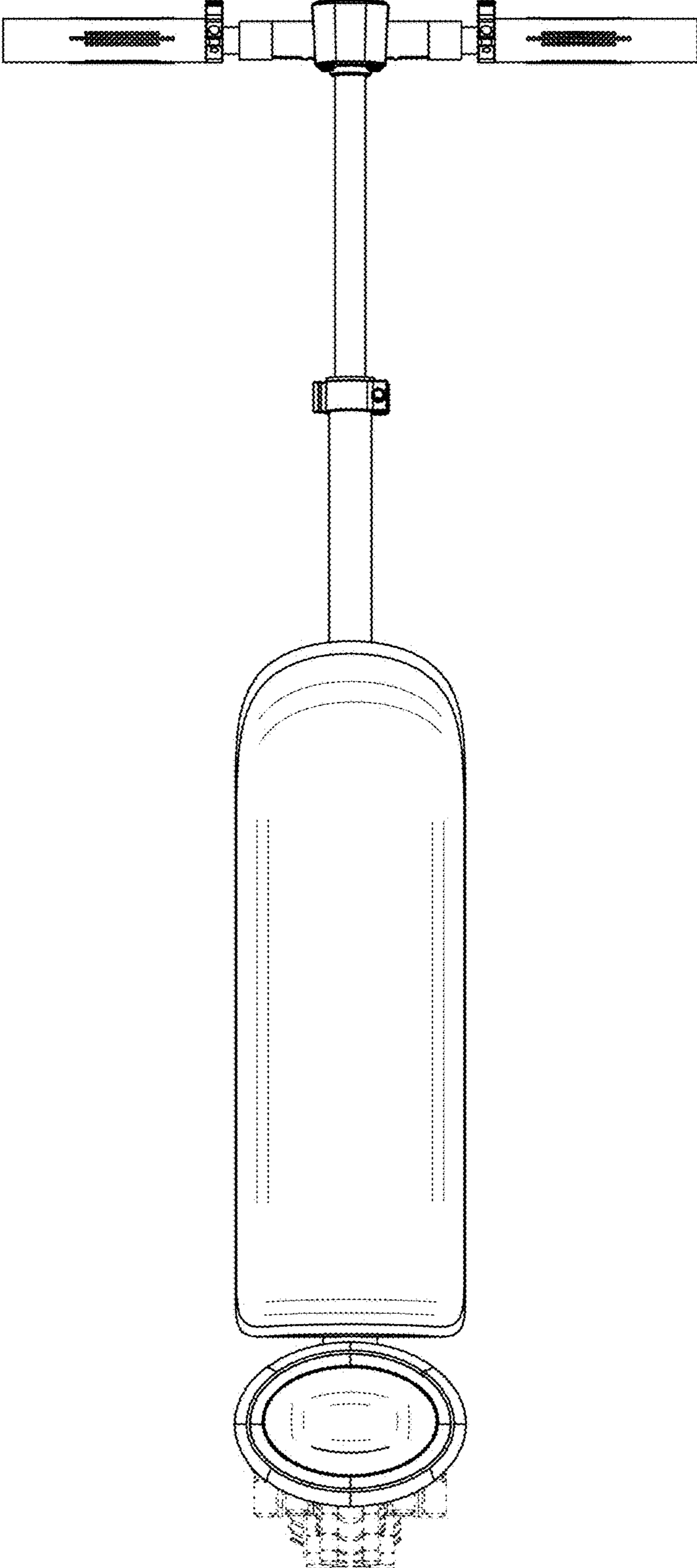


Fig. 1

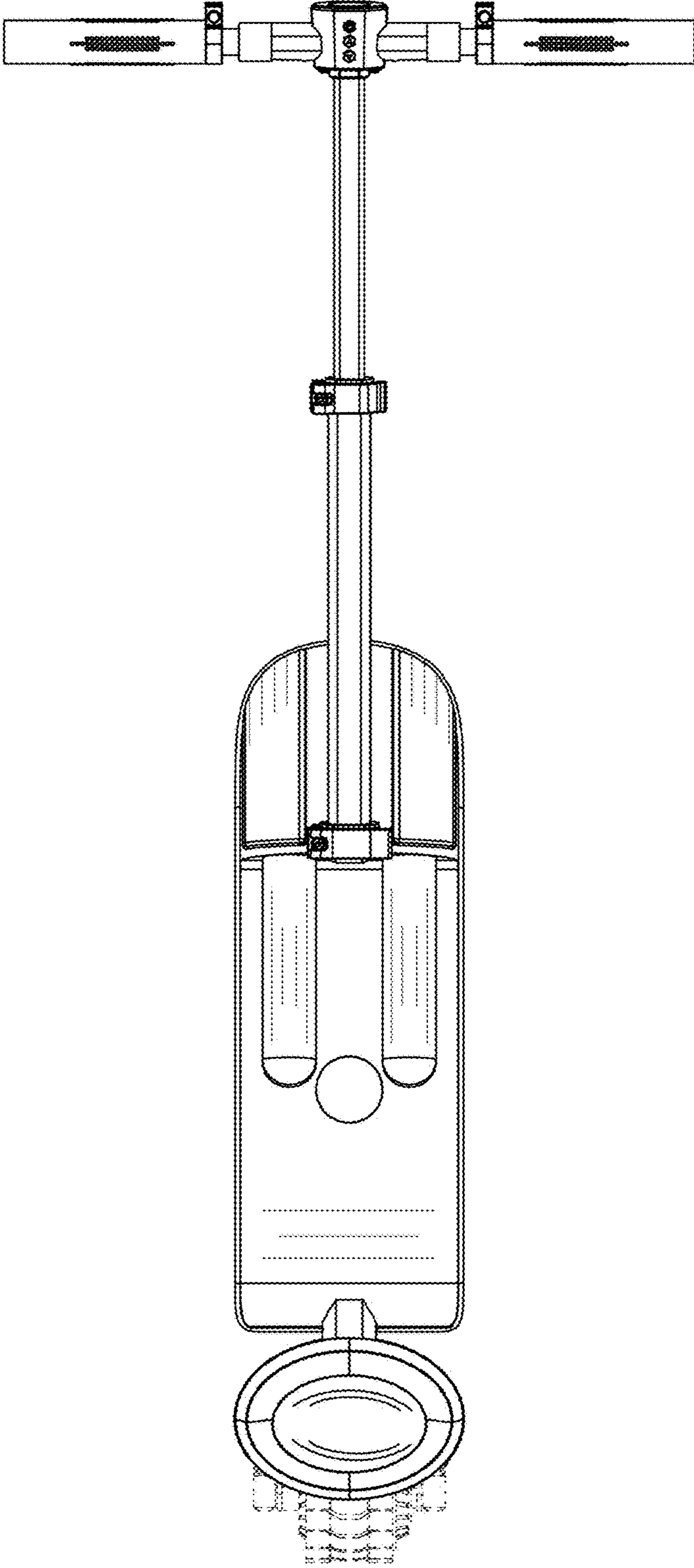


Fig. 2

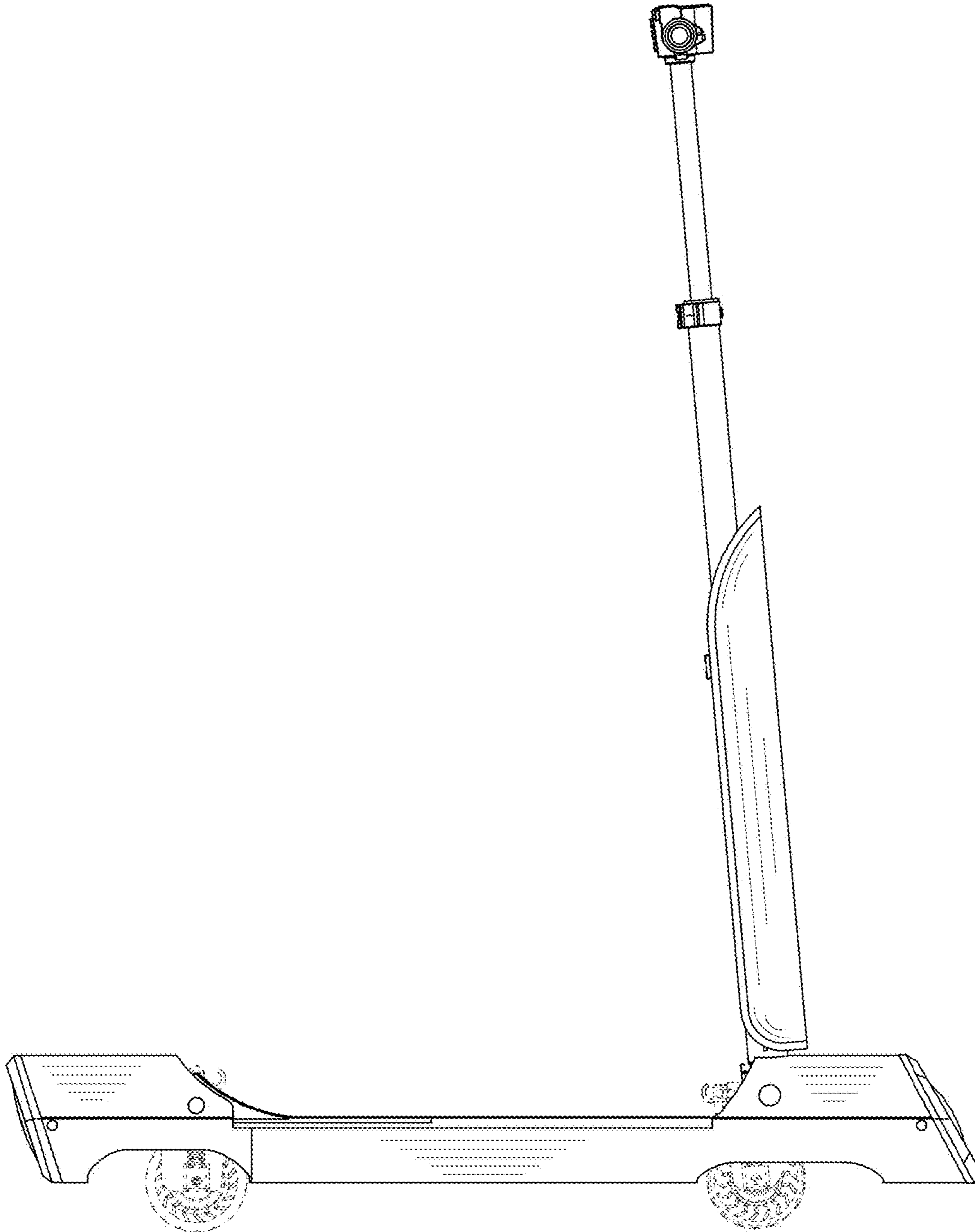


Fig. 3

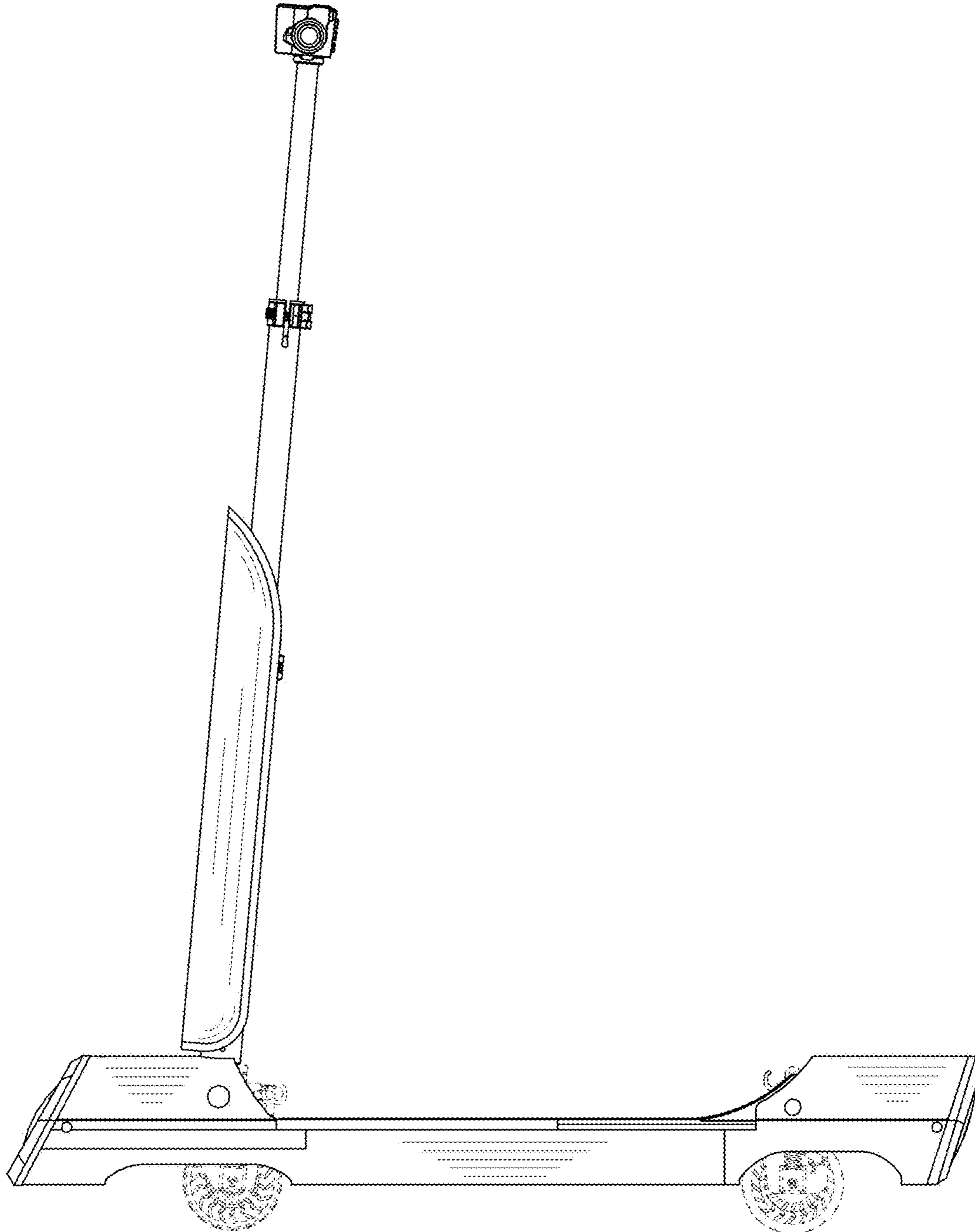


Fig. 4

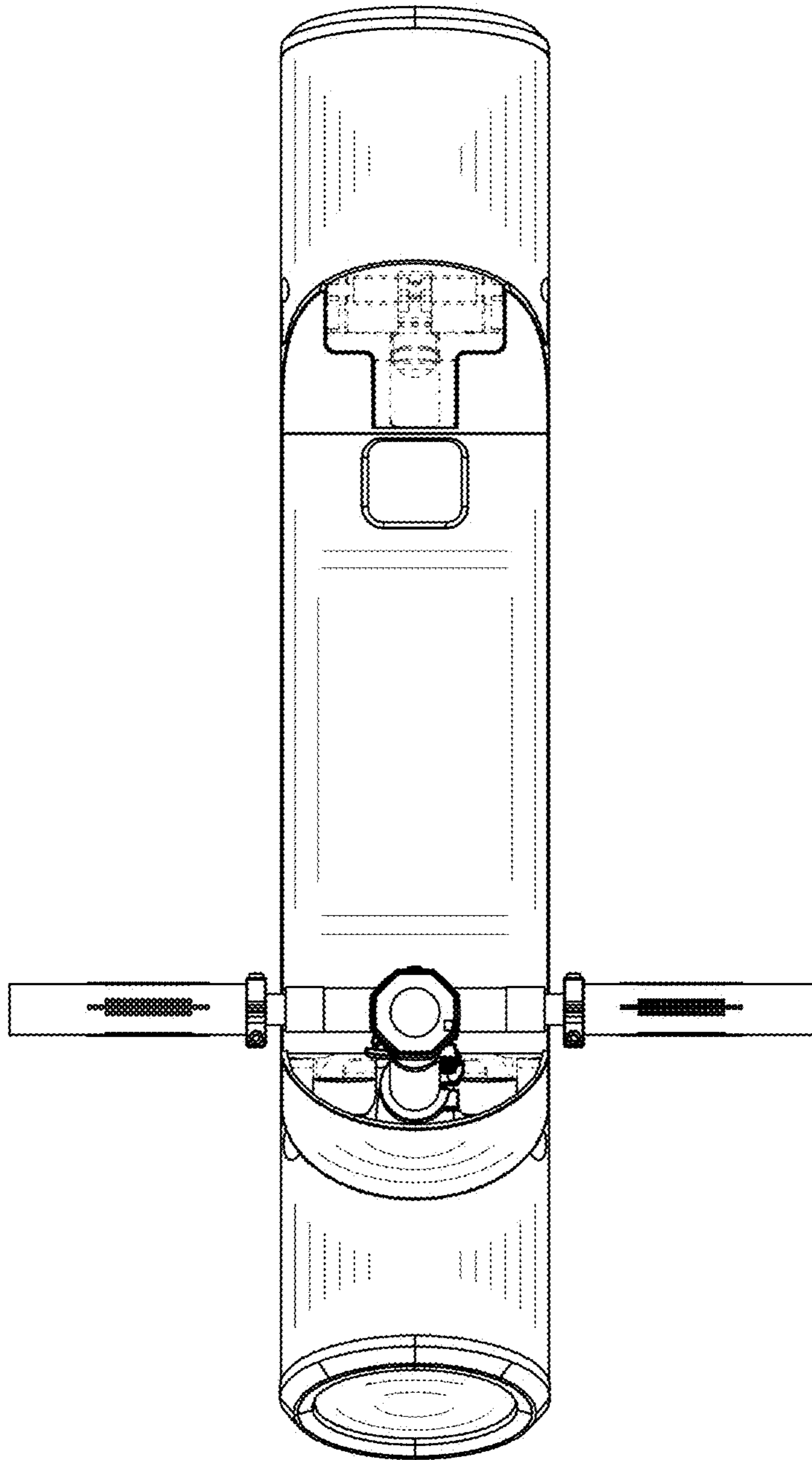


Fig. 5

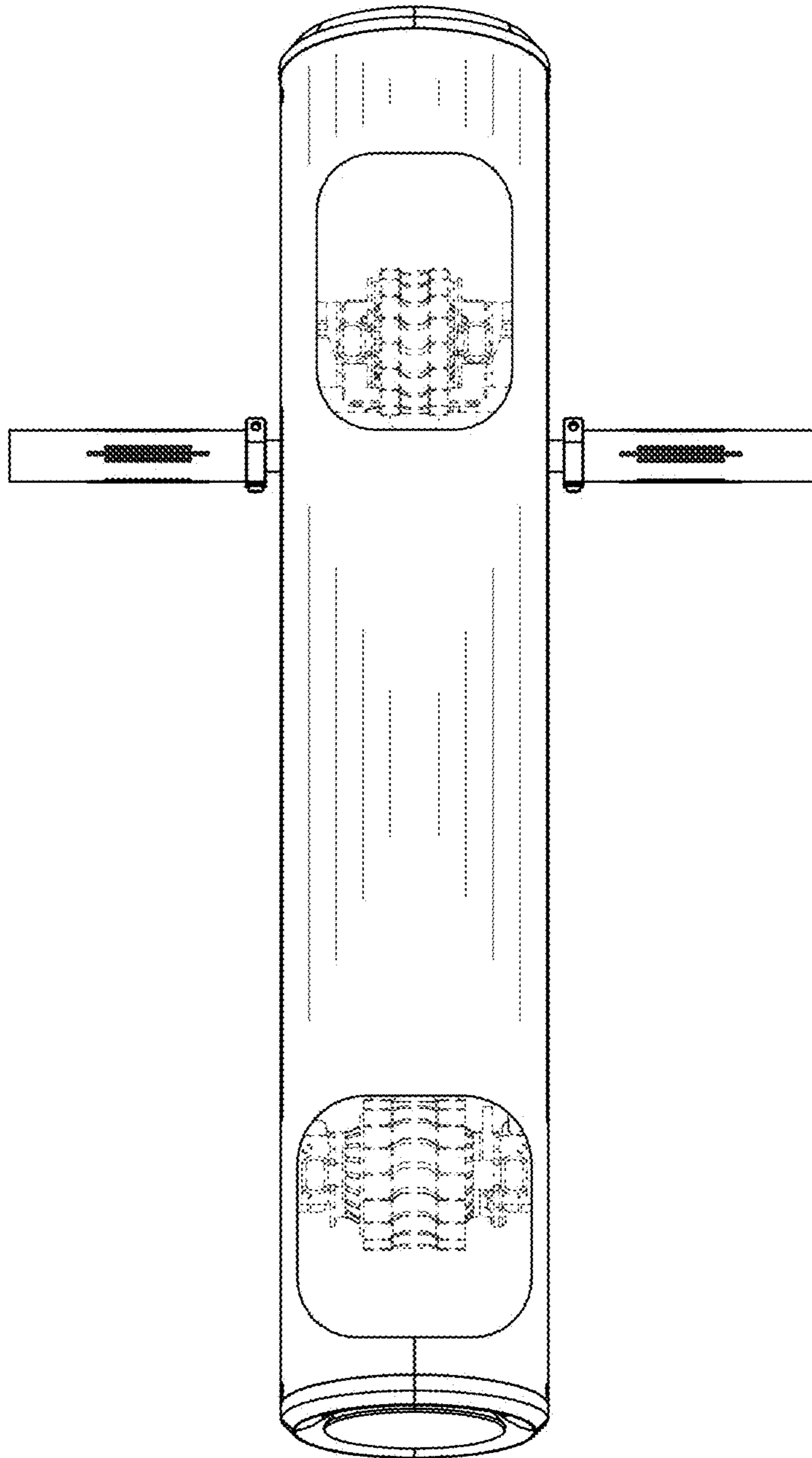


Fig. 6



Fig. 7

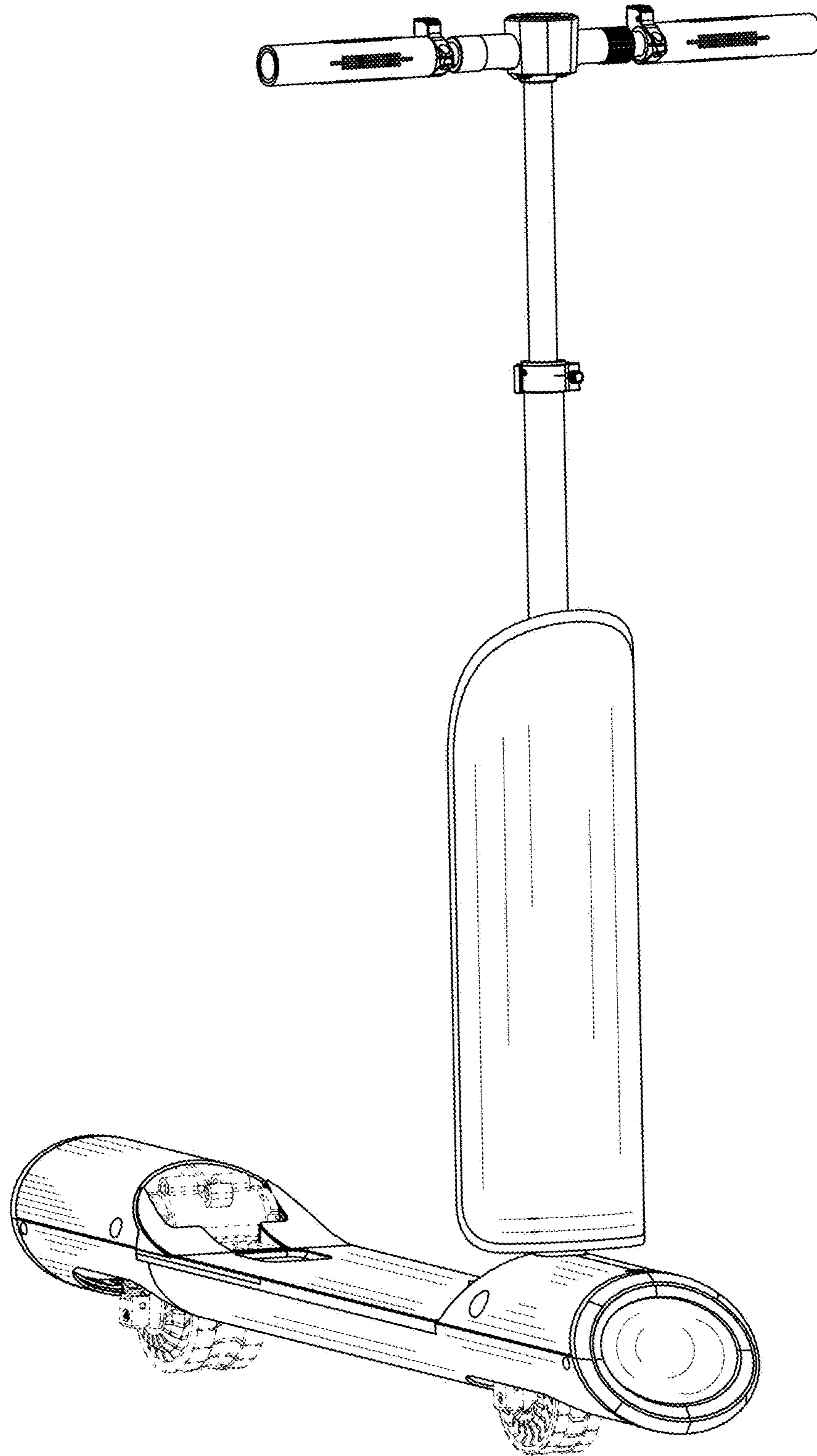


Fig. 8

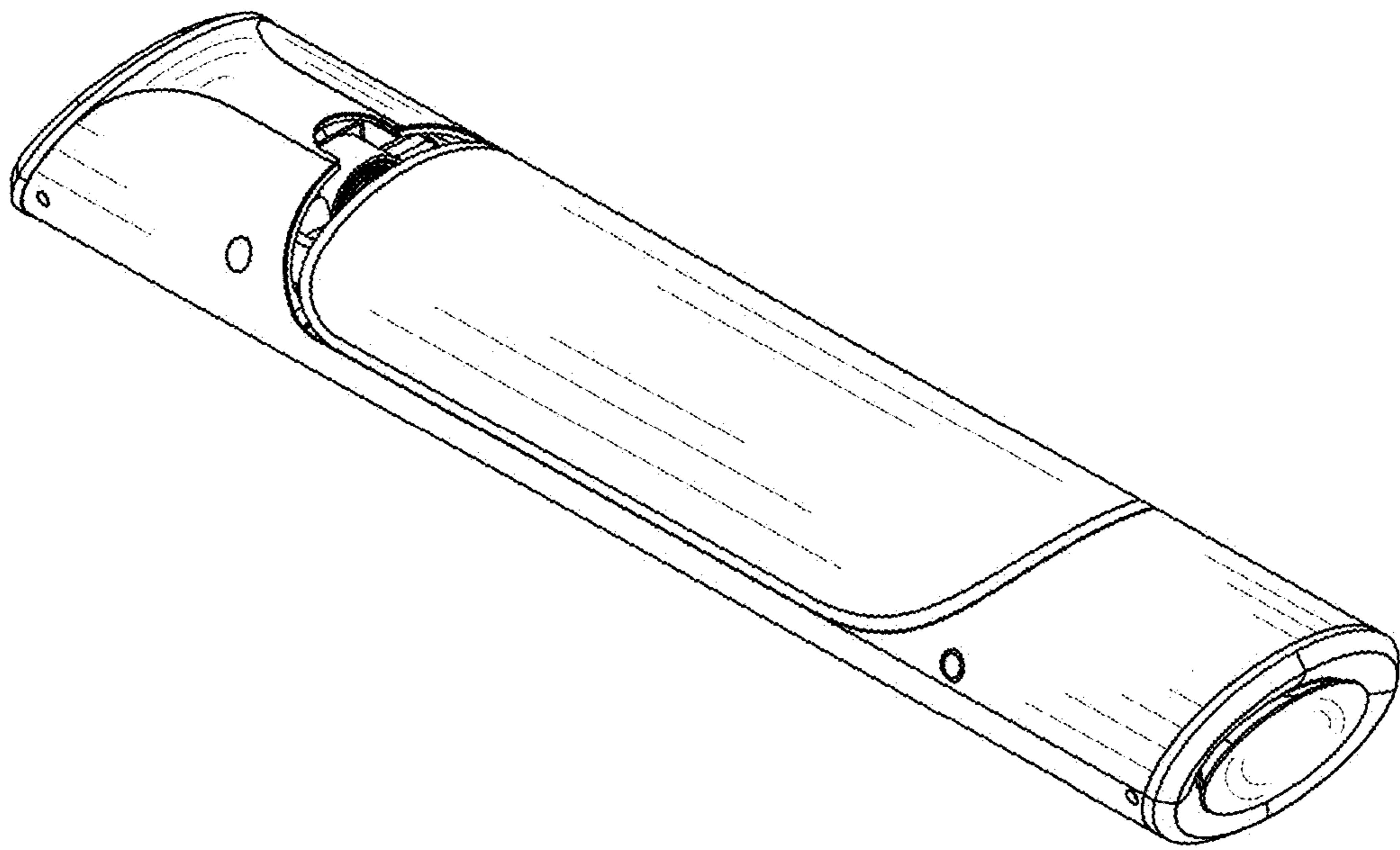


Fig. 9