



US00D816778S

(12) **United States Design Patent**  
**Yang et al.**

(10) **Patent No.:** **US D816,778 S**  
(45) **Date of Patent:** **\*\* May 1, 2018**

(54) **ELECTRIC BALANCE SCOOTER**  
(71) Applicant: **Zhejiang Raymond Way Electronic Technology Co., LTD**, Wuyi, Zhejiang (CN)  
(72) Inventors: **Zhijun Yang**, Guangdong (CN); **Junjie Wang**, Zhejiang (CN); **Fei Cheng**, Zhejiang (CN)  
(73) Assignee: **Zhejiang Raymond Way Electronic Technology Co., Ltd**, Wuyi (CN)

(\*\*) Term: **15 Years**

(21) Appl. No.: **29/597,153**

(22) Filed: **Mar. 14, 2017**

(51) **LOC (11) Cl.** ..... **21-01**

(52) **U.S. Cl.**  
USPC ..... **D21/421**; D21/760; D12/1

(58) **Field of Classification Search**  
USPC ..... D21/419, 421, 423, 424, 432, 760, 765; D12/1

CPC .... B62K 3/002; B62K 3/007; B62K 2202/00; B62K 11/00; B62K 11/007; B62K 2204/00; B62K 21/005; B62D 51/02; B62D 51/005; B62D 37/00

See application file for complete search history.

(56) **References Cited**

U.S. PATENT DOCUMENTS

D774,600 S \* 12/2016 Tao ..... D21/421  
D793,905 S \* 8/2017 Liu ..... D12/1

D795,134 S \* 8/2017 Liu ..... D12/1  
2006/0231313 A1\* 10/2006 Ishii ..... A63C 17/12  
180/218  
2012/0032496 A1\* 2/2012 Takenaka ..... B60B 19/003  
301/5.23  
2015/0246703 A1\* 9/2015 Oishi ..... B62K 3/007  
180/6.2  
2015/0298756 A1\* 10/2015 Takeda ..... B62K 23/08  
180/218  
2016/0083024 A1\* 3/2016 Mori ..... B62D 51/001  
701/70

\* cited by examiner

*Primary Examiner* — Cynthia M Chin

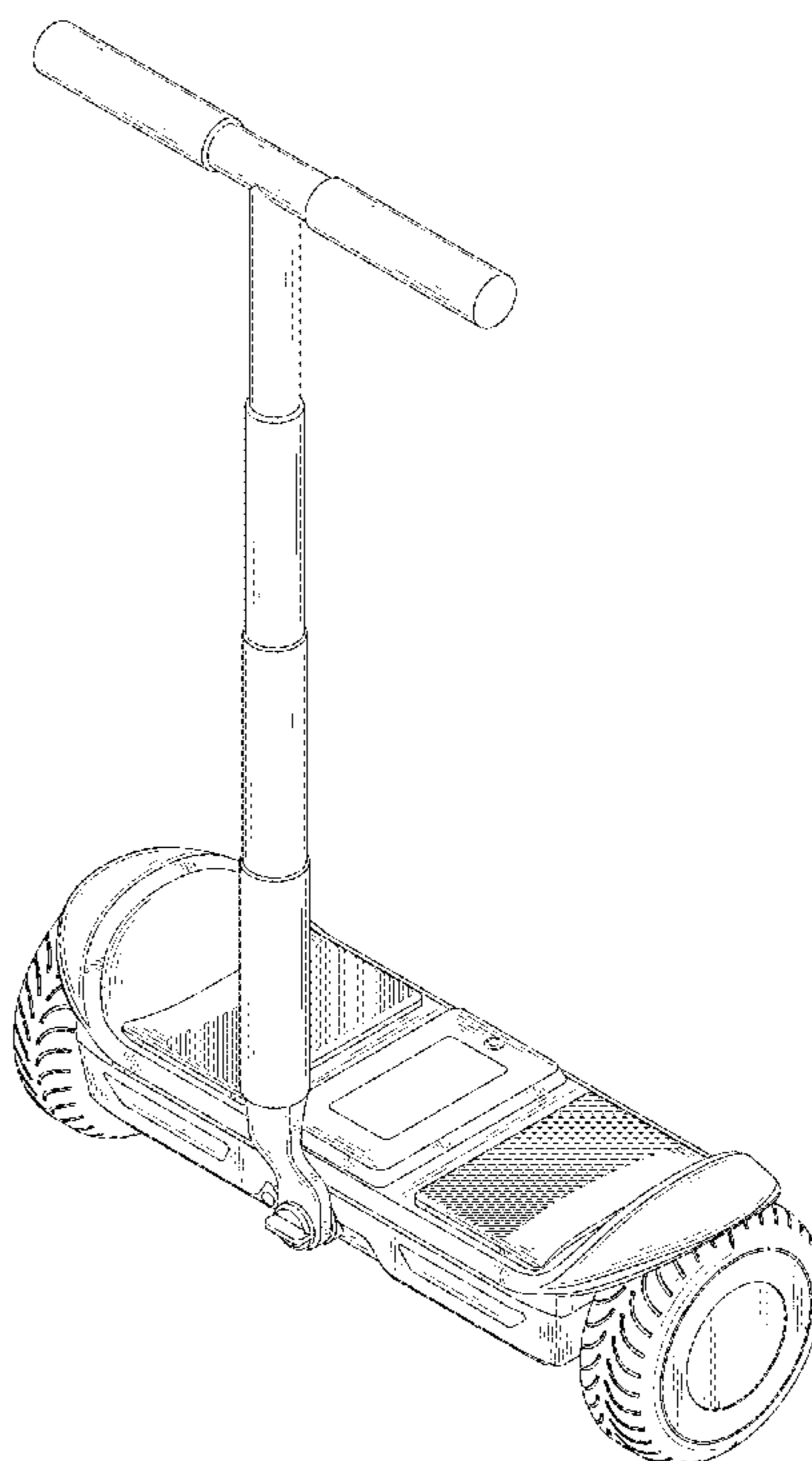
(57) **CLAIM**

The ornamental design for an electric balance scooter, as shown and described.

**DESCRIPTION**

FIG. 1 is a first perspective view of an electric balance scooter showing our new design;  
FIG. 2 is a second perspective view thereof;  
FIG. 3 is a front elevational view thereof;  
FIG. 4 is a rear elevational view thereof;  
FIG. 5 is a left side view thereof;  
FIG. 6 is a right side view thereof;  
FIG. 7 is a top plan view thereof; and,  
FIG. 8 is a bottom plan view thereof.

**1 Claim, 8 Drawing Sheets**



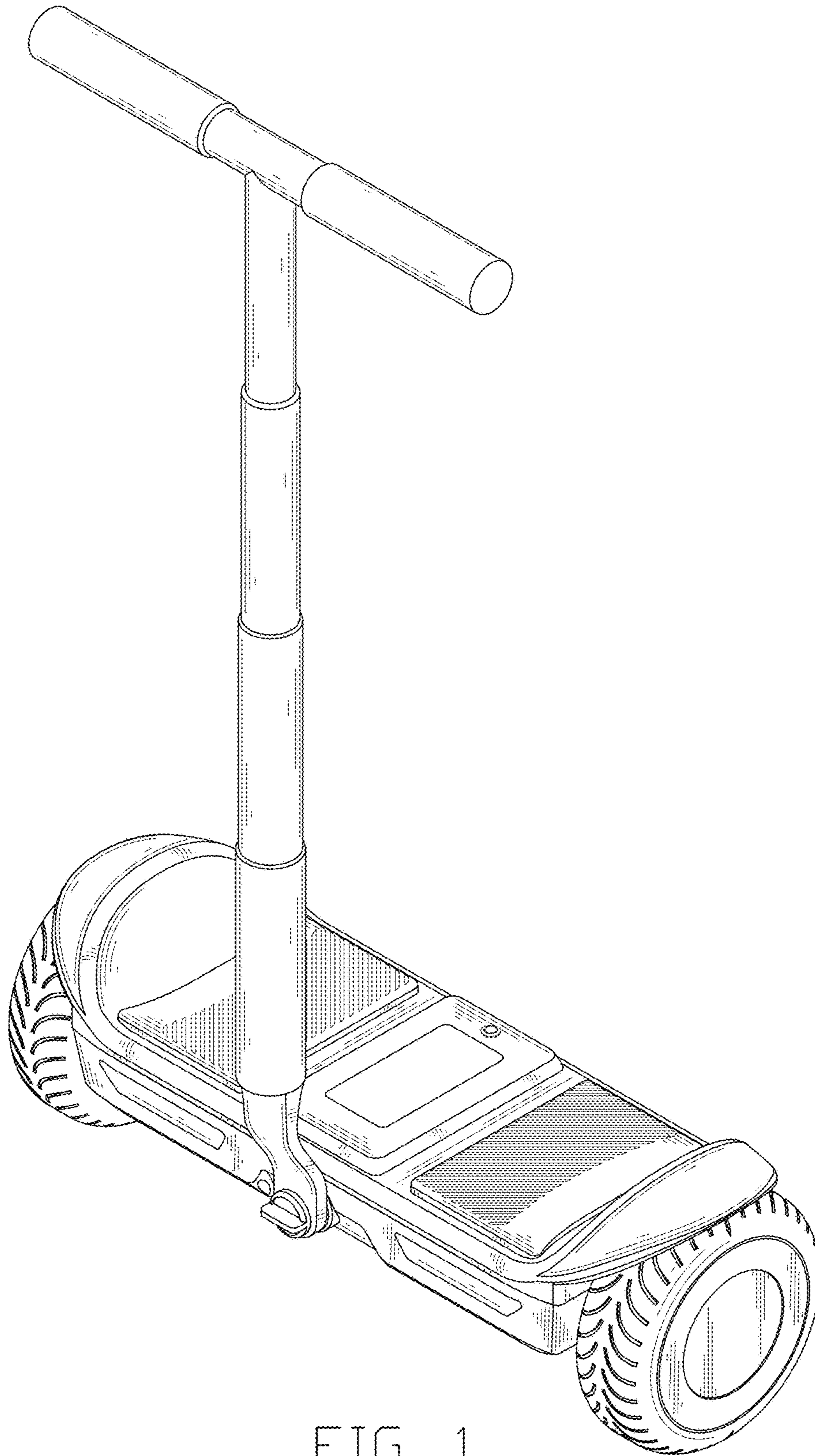


FIG. 1

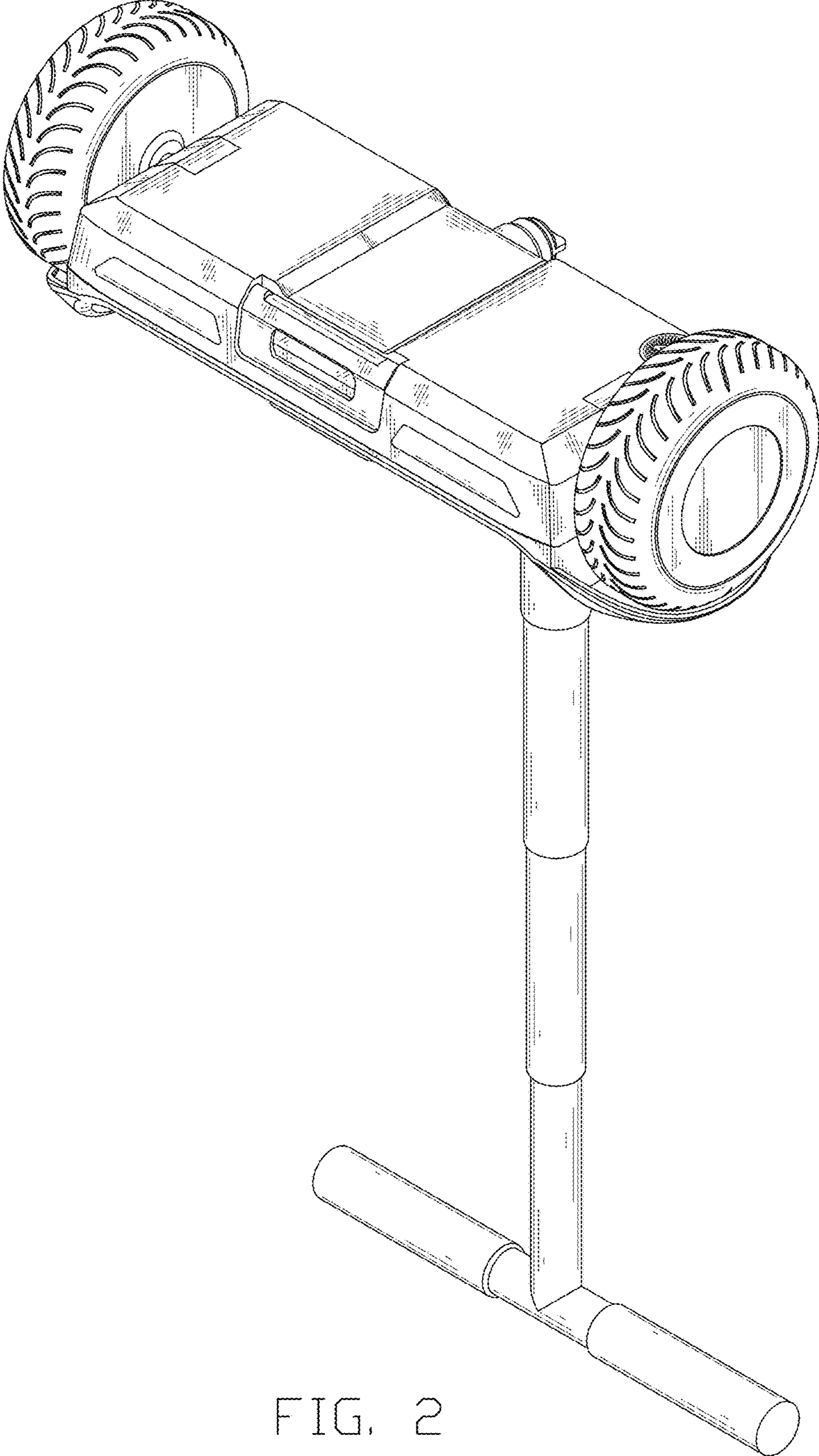


FIG. 2

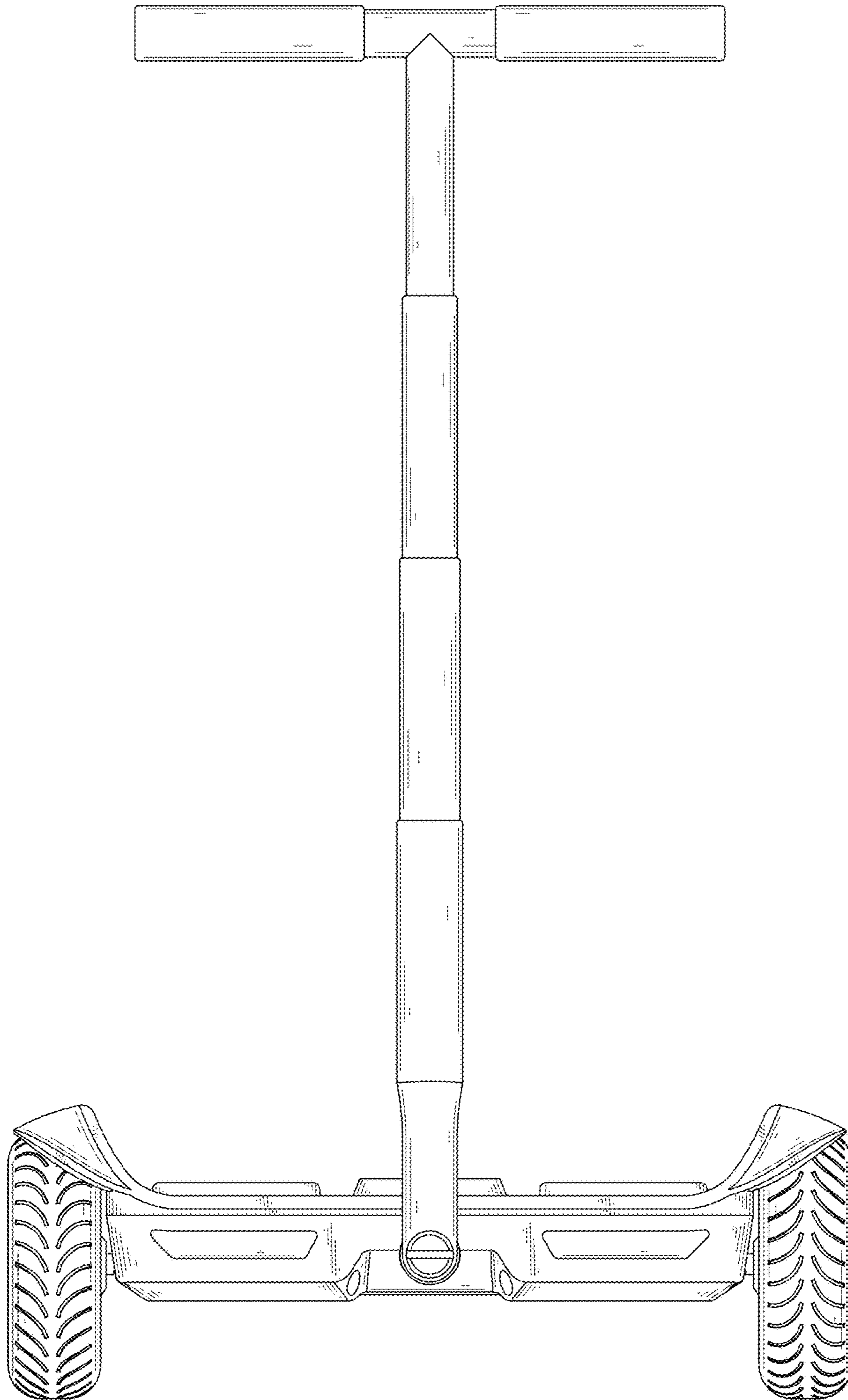


FIG. 3

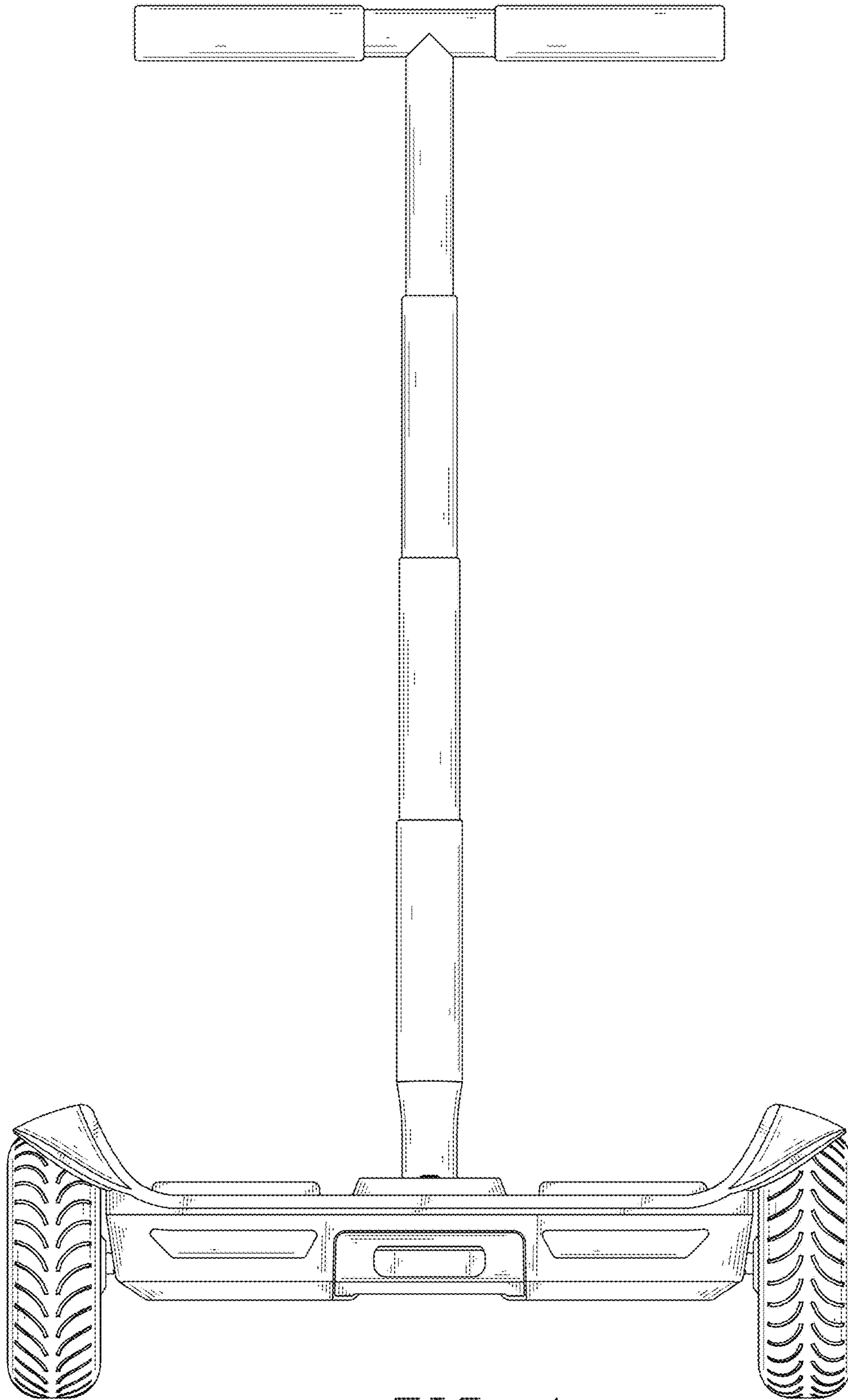


FIG. 4

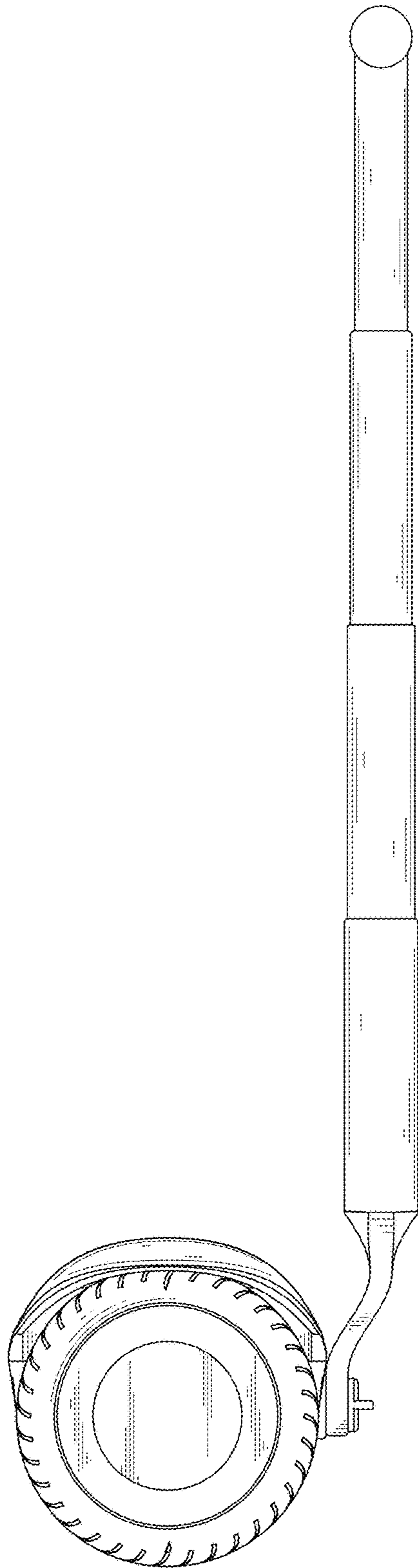


FIG. 5

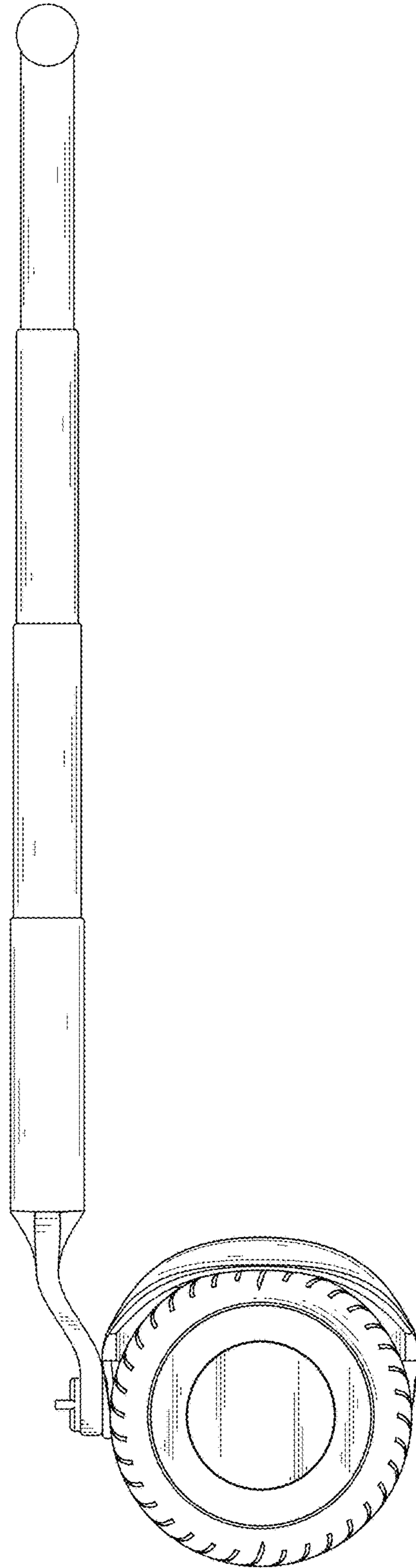


FIG. 6

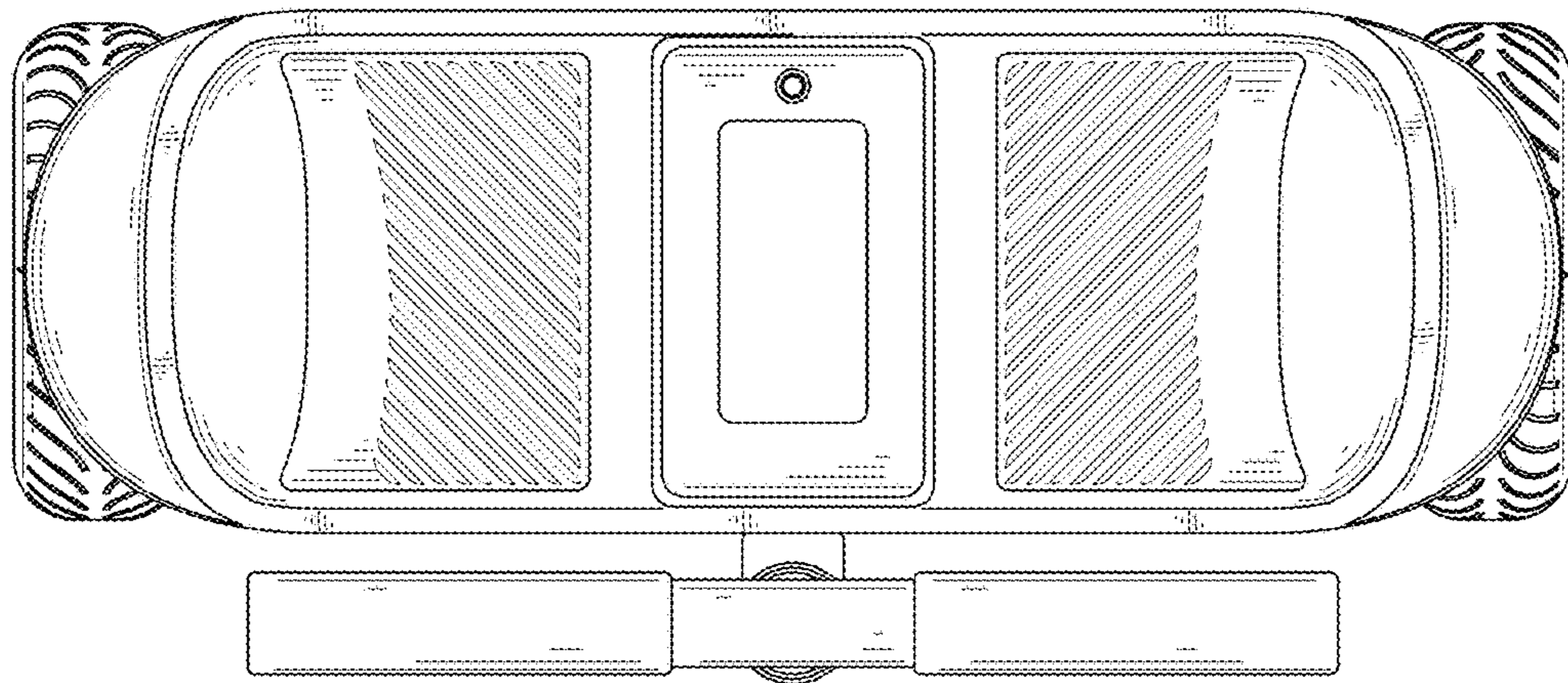


FIG. 7



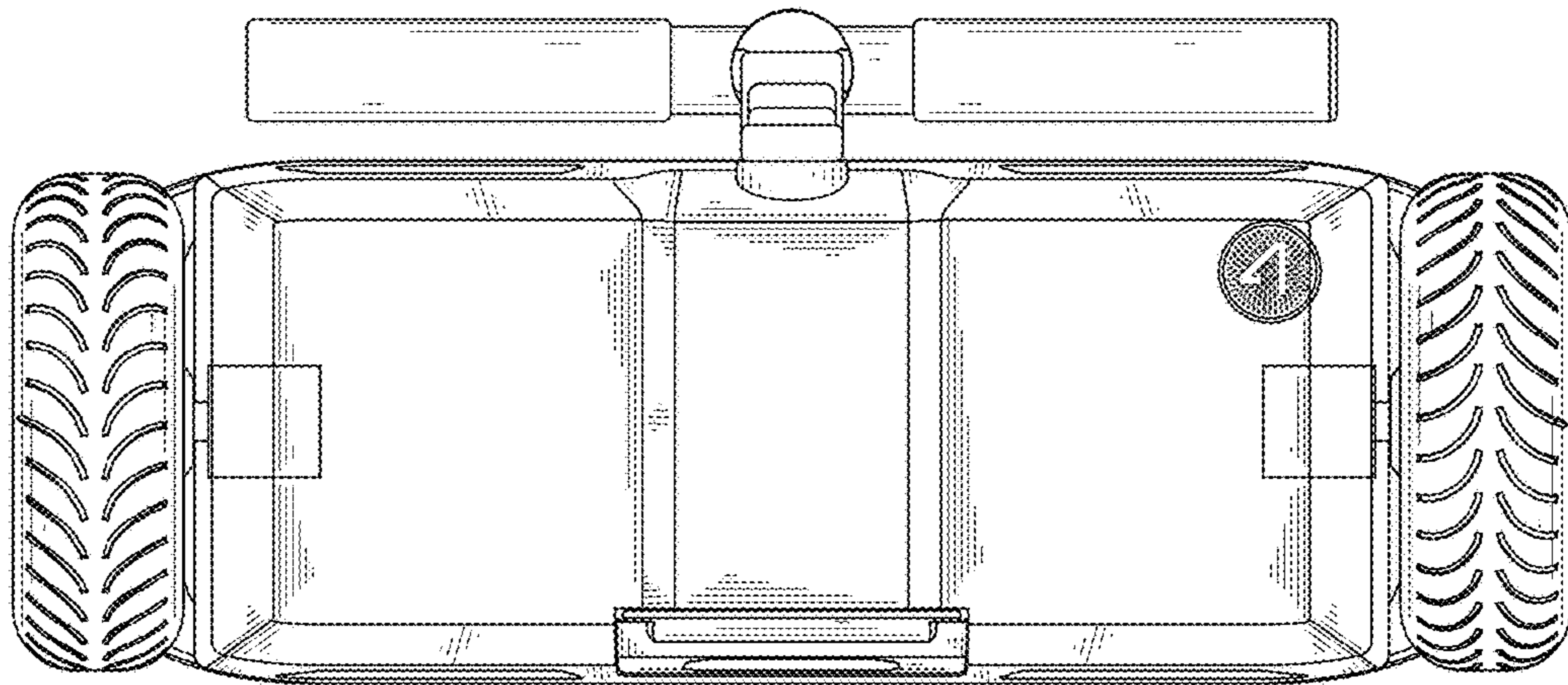


FIG. 8