



US00D816777S

(12) **United States Design Patent**
Yang et al.

(10) **Patent No.:** **US D816,777 S**
(45) **Date of Patent:** **** May 1, 2018**

(54) **ELECTRIC BALANCE SCOOTER**

(71) Applicant: **Zhejiang Raymond Way Electronic Technology Co., LTD**, Wuyi, Zhejiang (CN)

(72) Inventors: **Zhijun Yang**, Guangdong (CN); **Junjie Wang**, Zhejiang (CN); **Fei Cheng**, Zhejiang (CN)

(73) Assignee: **Zhejiang Raymond Way Electronic Technology Co., Ltd**, Wuyi (CN)

(**) Term: **15 Years**

(21) Appl. No.: **29/597,149**

(22) Filed: **Mar. 14, 2017**

(30) **Foreign Application Priority Data**

Dec. 16, 2016 (CN) 2016 3 0623563

(51) **LOC (11) Cl.** **21-01**

(52) **U.S. Cl.**
USPC **D21/421; D21/760**

(58) **Field of Classification Search**
USPC D21/419, 421, 423, 424, 432, 760, 765;
D12/1
CPC B62K 3/002; B62K 3/007; B62K 2202/00;
B62K 11/00; B62K 11/007; B62K
2204/00; B62K 21/005; B62D 51/02;
B62D 51/005; B62D 37/00

See application file for complete search history.

(56) **References Cited**

U.S. PATENT DOCUMENTS

D779,375 S *	2/2017	Zeng	D12/1
9,604,692 B1 *	3/2017	Kim	B62K 23/08
D785,736 S *	5/2017	Ying	D21/760
2017/0088211 A1 *	3/2017	Jiang	B62K 3/007
2017/0106931 A1 *	4/2017	Wood	B62K 11/007
2017/0217489 A1 *	8/2017	Ying	B62D 11/003

* cited by examiner

Primary Examiner — Cynthia M Chin

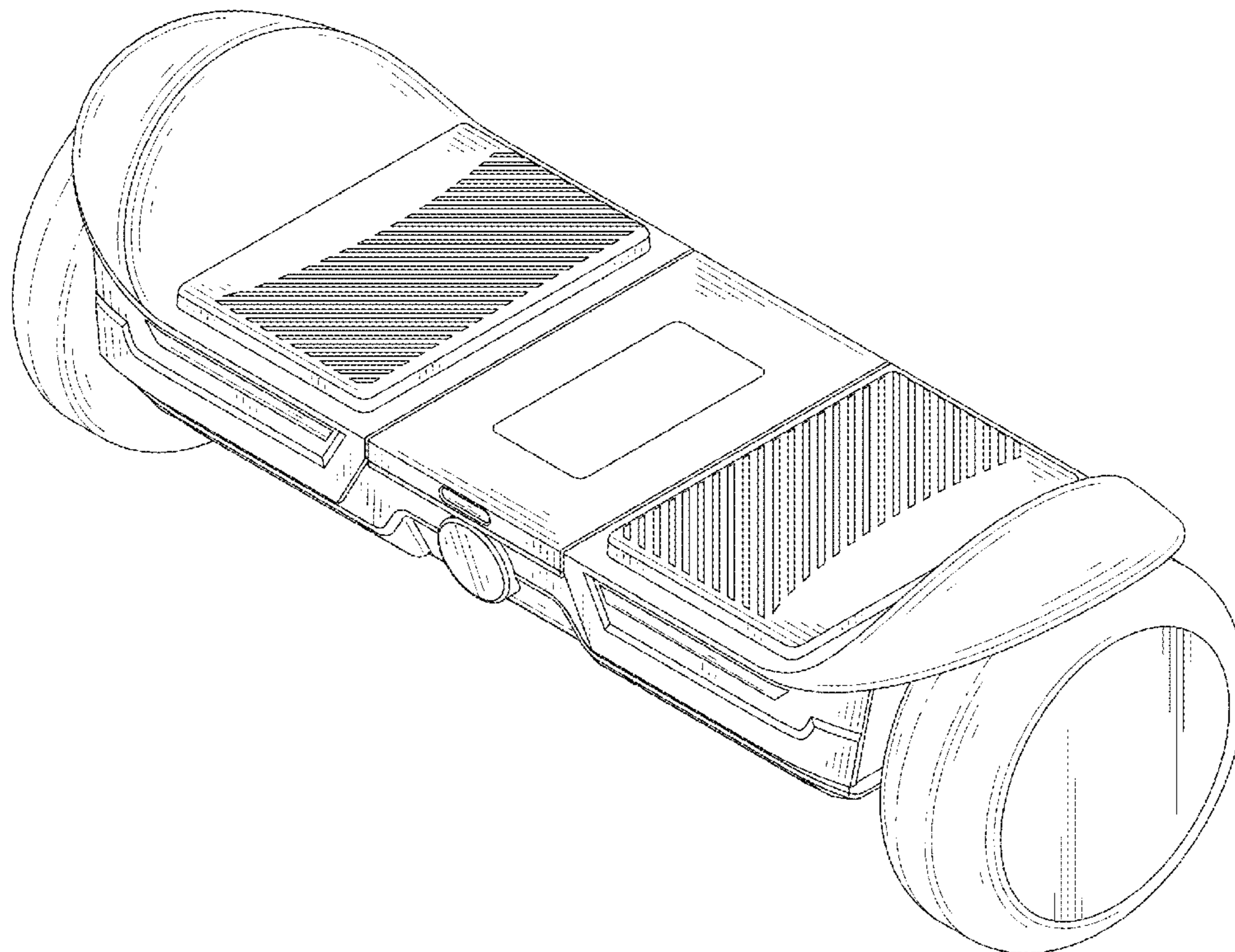
(57) **CLAIM**

The ornamental design for an electric balance scooter, as shown and described.

DESCRIPTION

FIG. 1 is a first perspective view of an electric balance scooter showing our new design;
FIG. 2 is a second perspective view thereof;
FIG. 3 is a front elevational view thereof;
FIG. 4 is a rear elevational view thereof;
FIG. 5 is a left side view thereof;
FIG. 6 is a right side view thereof;
FIG. 7 is a top plan view thereof; and,
FIG. 8 is a bottom plan view thereof.

1 Claim, 8 Drawing Sheets



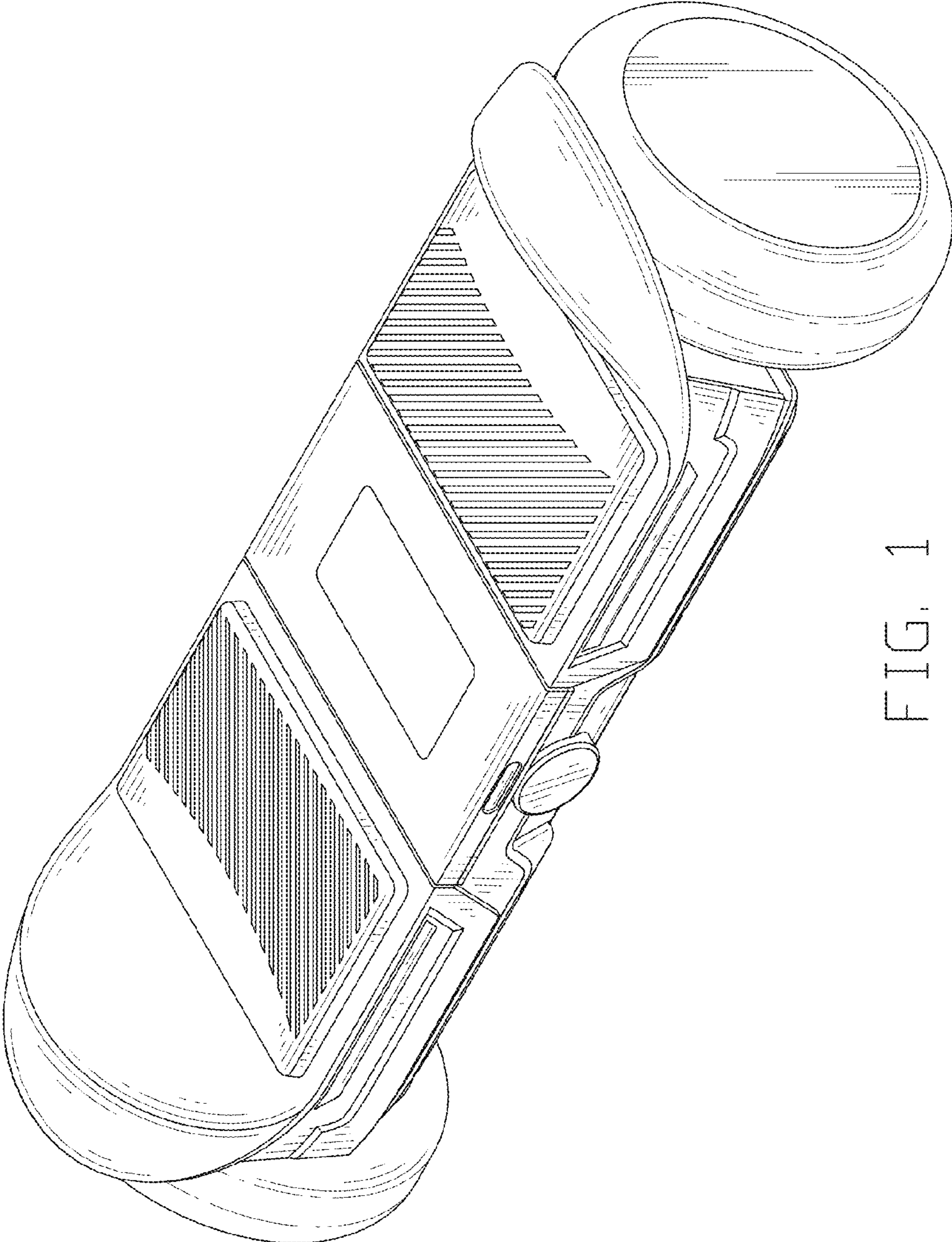


FIG. 1

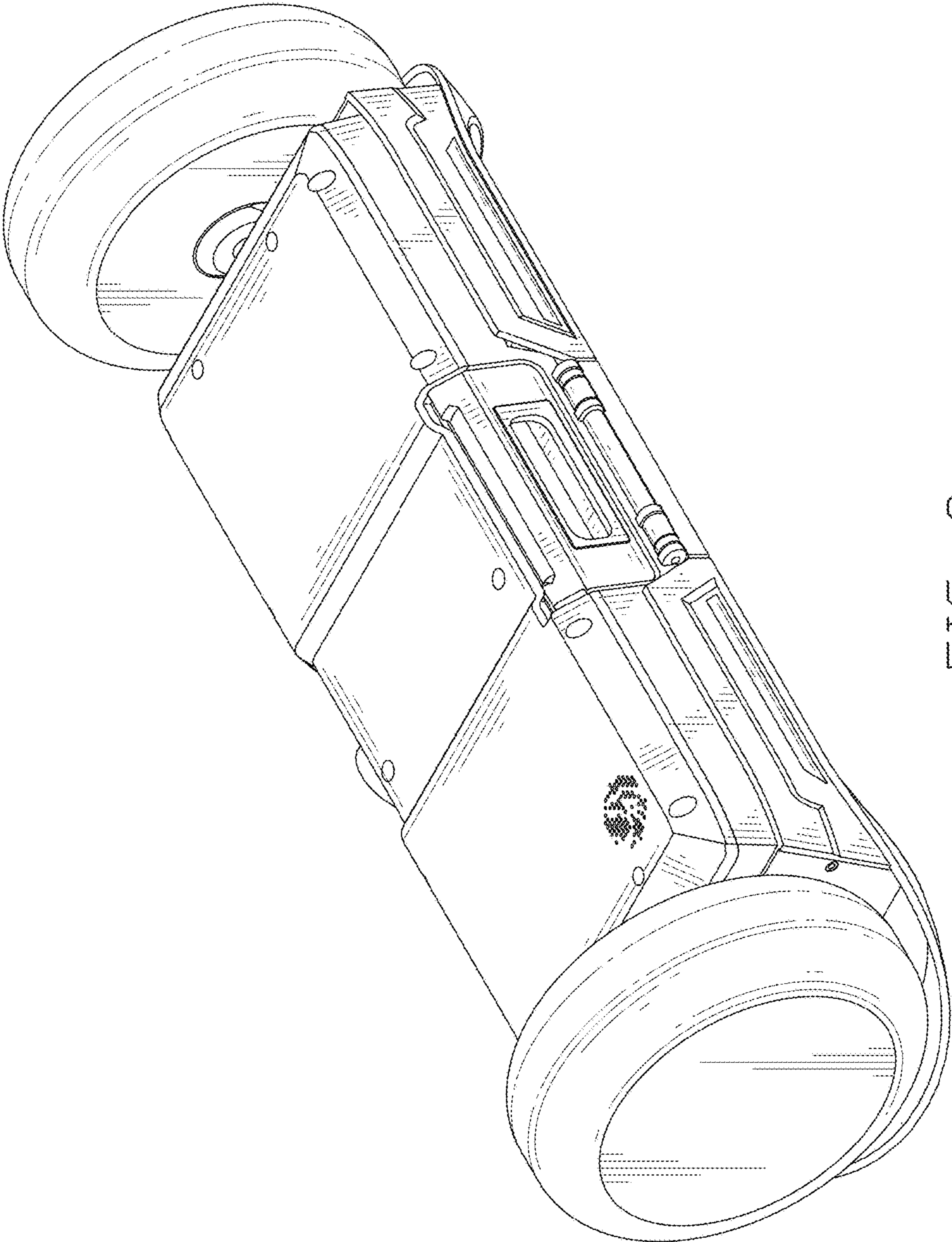


FIG. 2

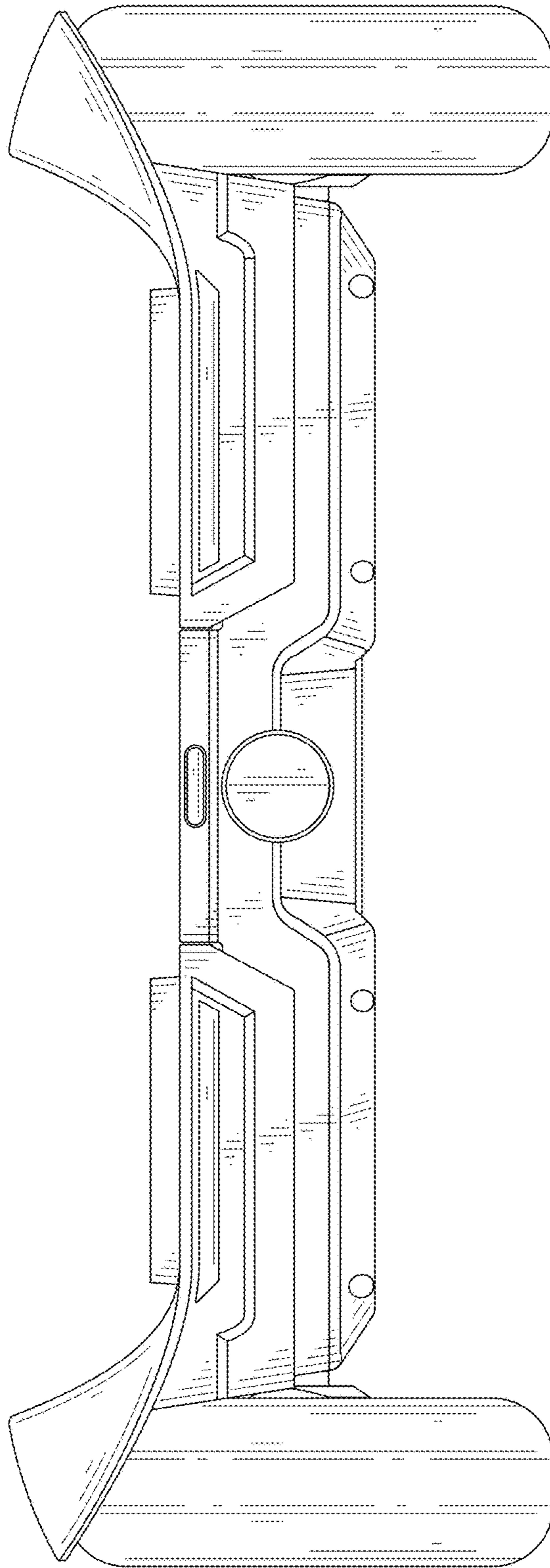


FIG. 3

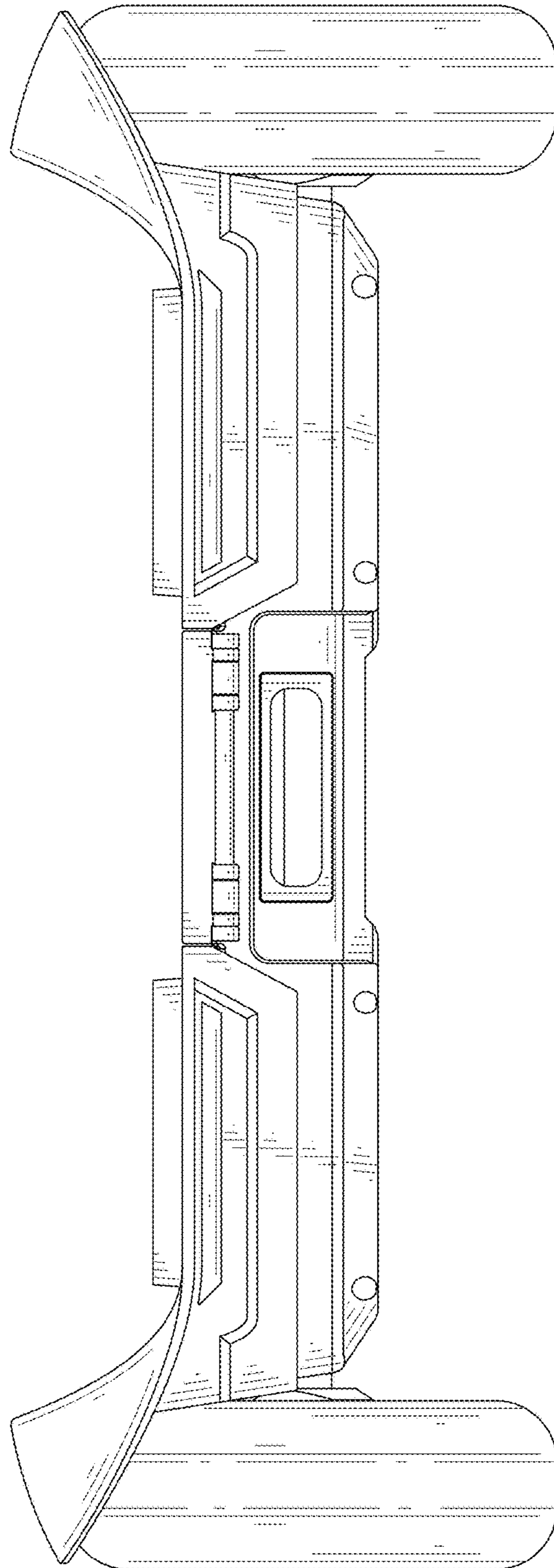


FIG. 4

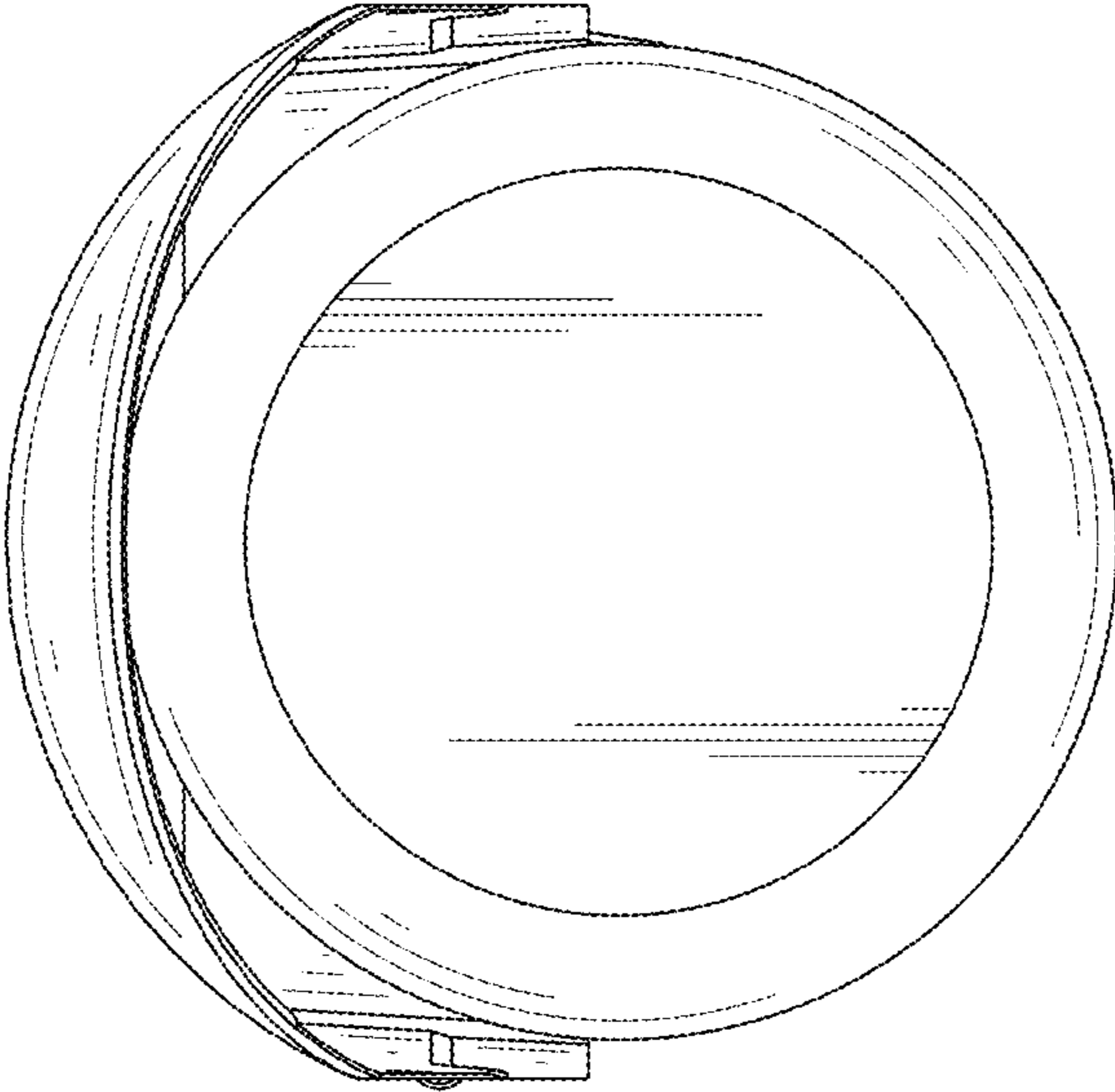


FIG. 5

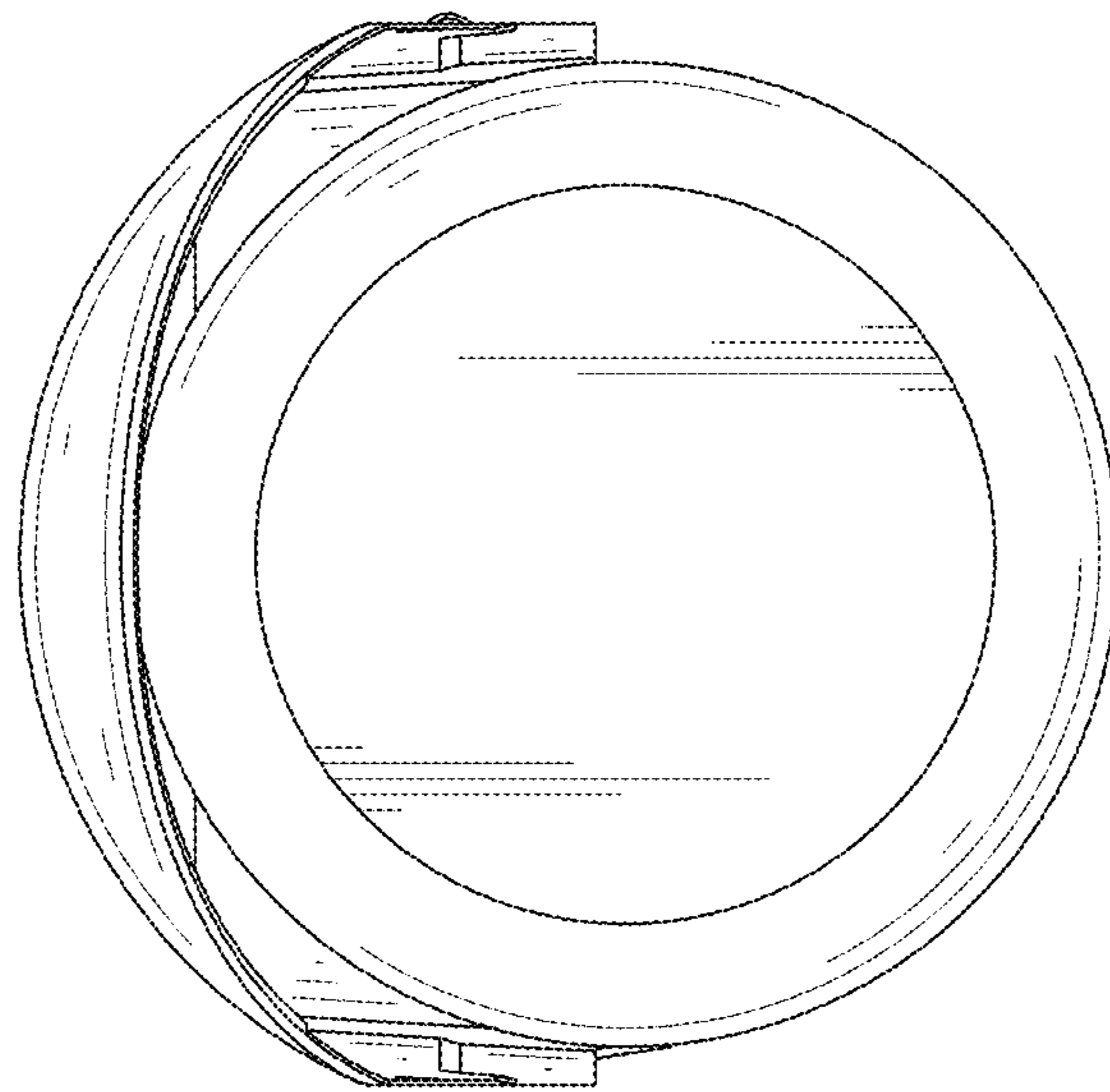


FIG. 6

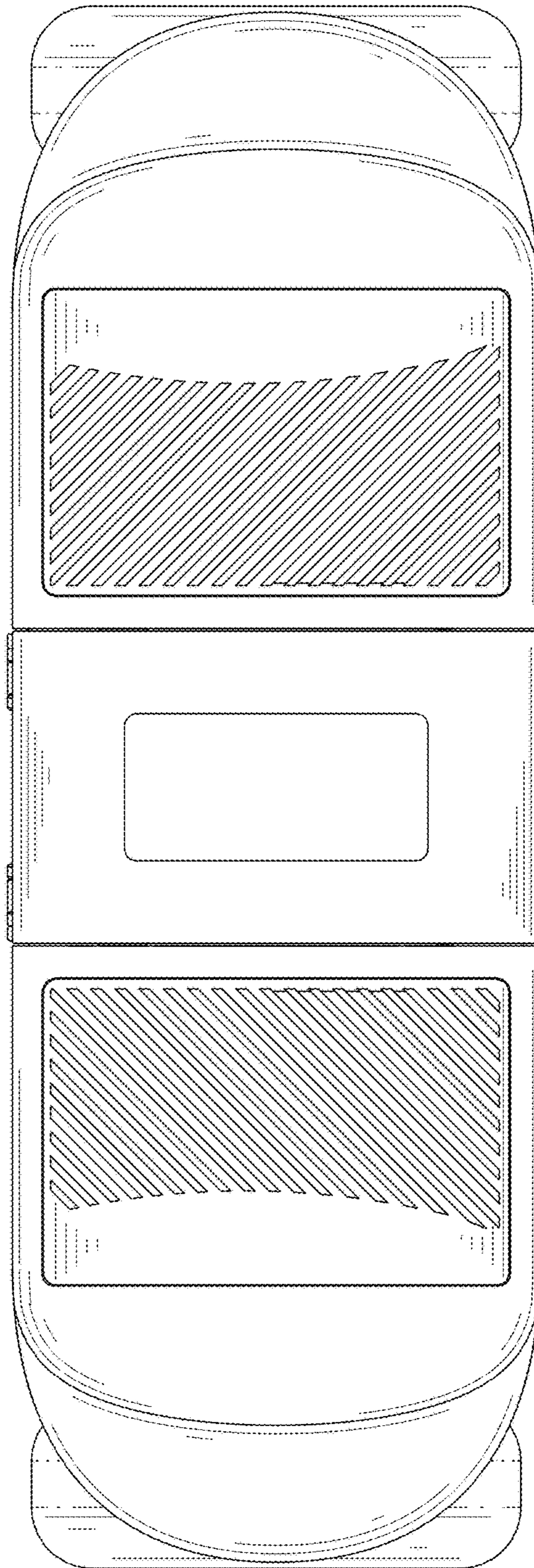


FIG. 7

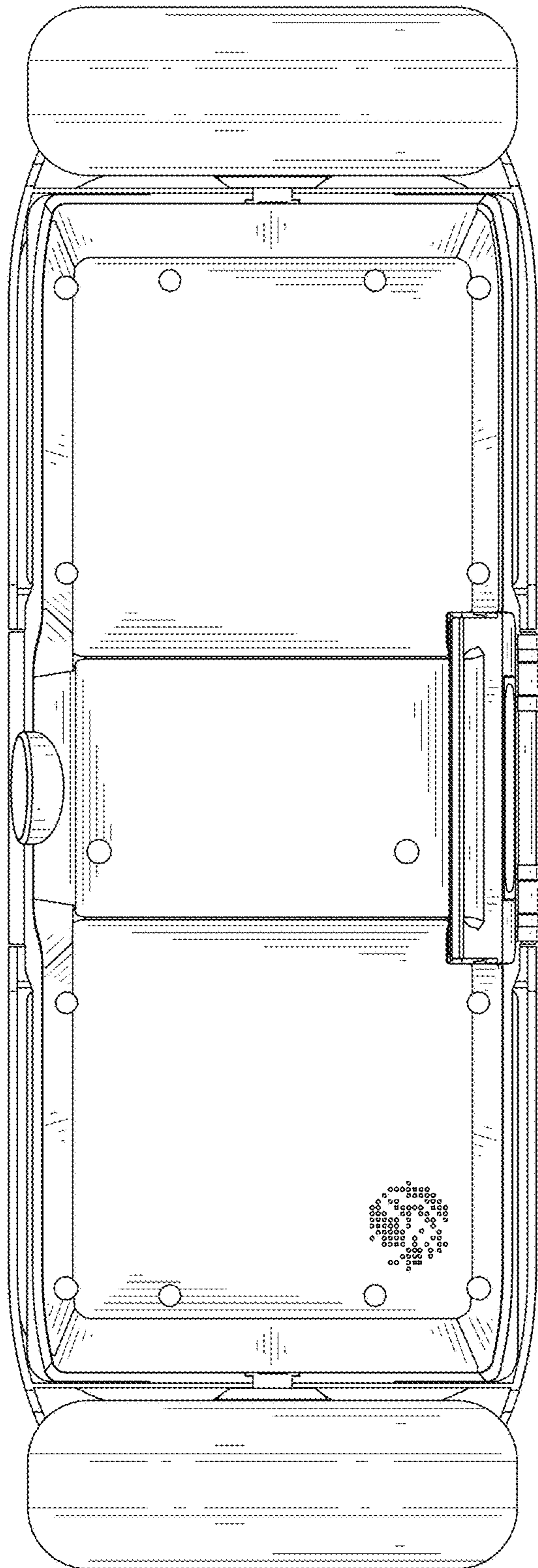


FIG. 8