



US00D816775S

(12) **United States Design Patent** (10) **Patent No.:** **US D816,775 S**
Belcher (45) **Date of Patent:** **** May 1, 2018**

- (54) **BOARD GAME PIECE**
- (71) Applicant: **Jeb Belcher**, Williamson, TX (US)
- (72) Inventor: **Jeb Belcher**, Williamson, TX (US)
- (**) Term: **15 Years**
- (21) Appl. No.: **29/617,962**
- (22) Filed: **Sep. 18, 2017**

D543,247 S *	5/2007	Luciano, Jr.	D13/171
D550,298 S *	9/2007	Luciano, Jr.	D13/171
D550,302 S *	9/2007	Luciano, Jr.	D13/174
D550,303 S *	9/2007	Luciano, Jr.	D13/174
D550,304 S *	9/2007	Luciano, Jr.	D13/174
D558,277 S *	12/2007	Luciano, Jr.	D13/174
D711,477 S *	8/2014	Fittingoff	D21/385
D711,478 S *	8/2014	Fittingoff	D21/385
D711,970 S *	8/2014	Bennett	D21/392
D772,345 S *	11/2016	Eiger	D21/386
D773,565 S *	12/2016	Waldeck	D21/386

* cited by examiner

Related U.S. Application Data

- (63) Continuation-in-part of application No. 15/451,458, filed on Mar. 7, 2017, now Pat. No. 9,795,866, which is a continuation-in-part of application No. 29/544,596, filed on Nov. 4, 2015, now Pat. No. Des. 784,458.
- (51) **LOC (11) Cl.** **21-01**
- (52) **U.S. Cl.**
USPC **D21/386**
- (58) **Field of Classification Search**
USPC D21/385, 386, 392, 396
CPC A63F 9/10; A63F 9/20; A63F 9/34; G09B 19/02
See application file for complete search history.

Primary Examiner — Darlington Ly
Assistant Examiner — Daniel J Domino
(74) *Attorney, Agent, or Firm* — Pierson IP, PLLC

(57) **CLAIM**

The ornamental design for a board game piece, as shown and described.

DESCRIPTION

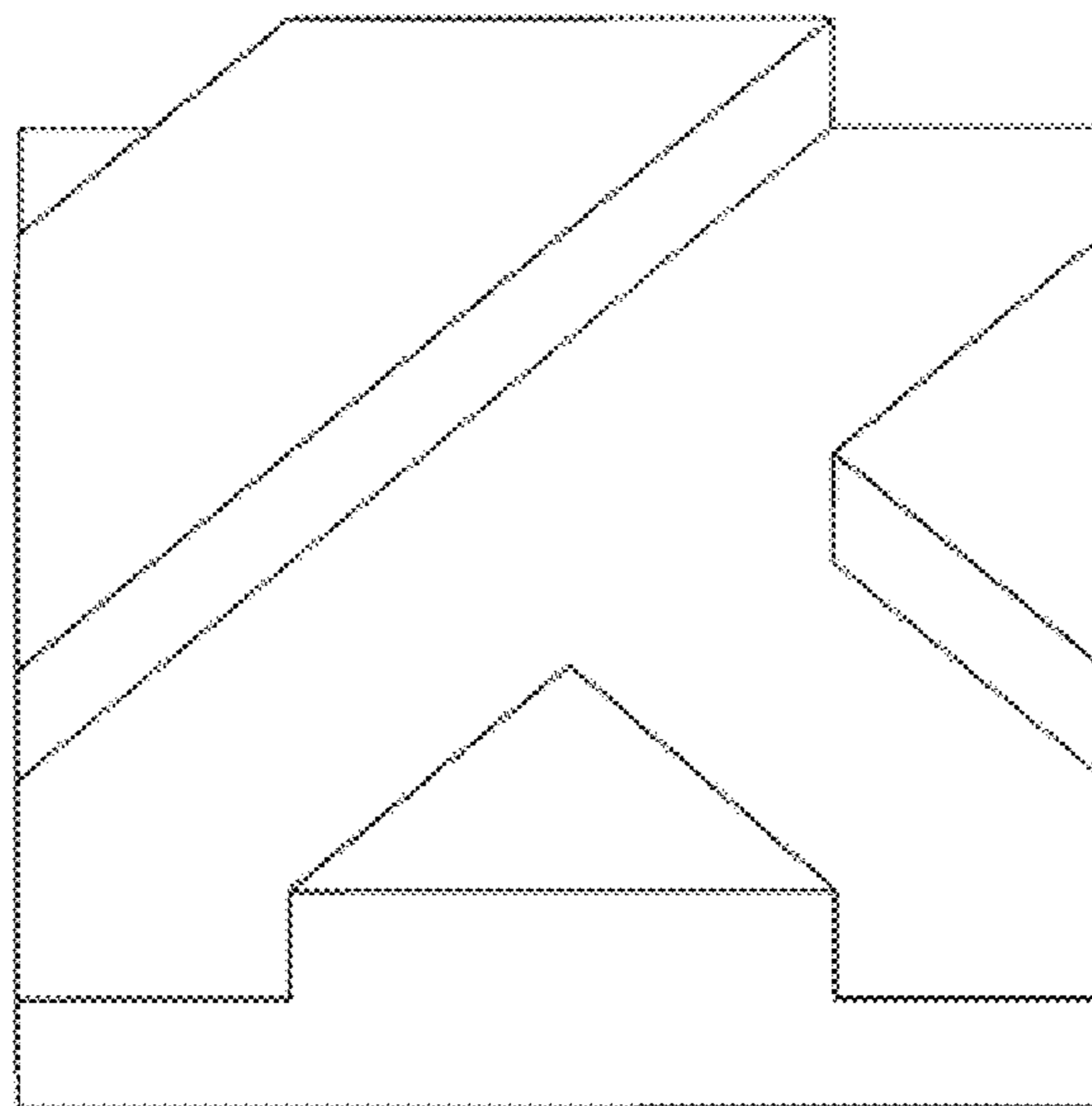
FIG. 1 is a top perspective view of a board game piece showing our new design thereof;
FIG. 2 is a top view of the board game piece shown in FIG. 1;
FIG. 3 is a bottom view of board game piece shown in FIG. 1;
FIG. 4 is a side view of the board game piece shown in FIG. 1;
FIG. 5 is a front perspective view of the board game piece shown in FIG. 1;
FIG. 6 is a first side perspective view of the board game piece shown in FIG. 1; and,
FIG. 7 is a top perspective view of the board game piece shown in FIG. 1.

(56) **References Cited**

U.S. PATENT DOCUMENTS

D34,639 S *	6/1901	Hill	D21/385
D95,784 S *	5/1935	Werner	D1/128
D191,316 S *	9/1961	Calfee	D11/133
D241,045 S *	8/1976	Hendlin	D21/391
D317,137 S *	5/1991	Kulikowski	D10/108
D318,558 S *	7/1991	Piano	D1/127
D406,568 S *	3/1999	Harmuth	D13/168
D516,045 S *	2/2006	Street	D13/171
D519,570 S *	4/2006	Amaitis	D21/370

1 Claim, 7 Drawing Sheets



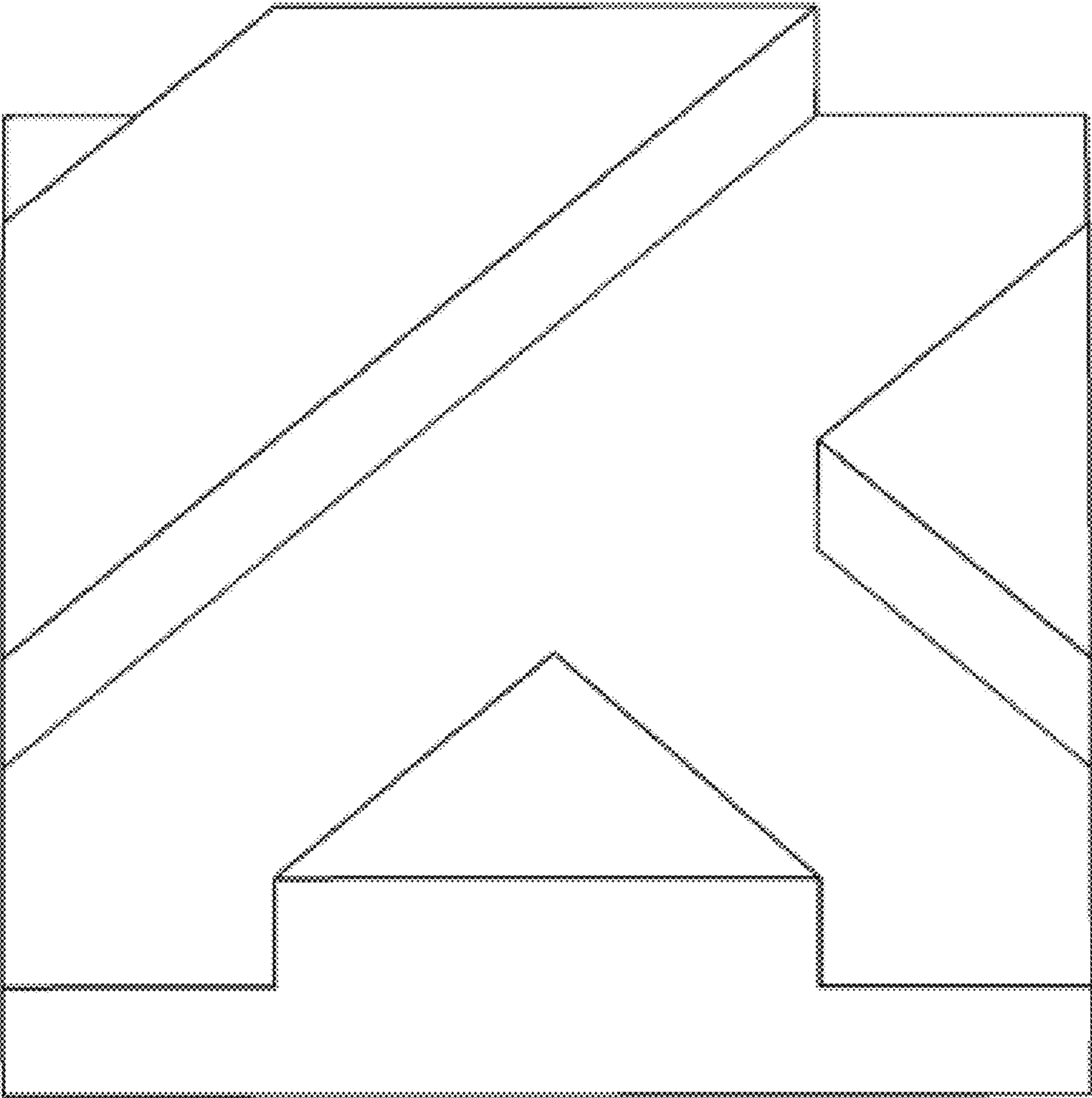


FIGURE 1

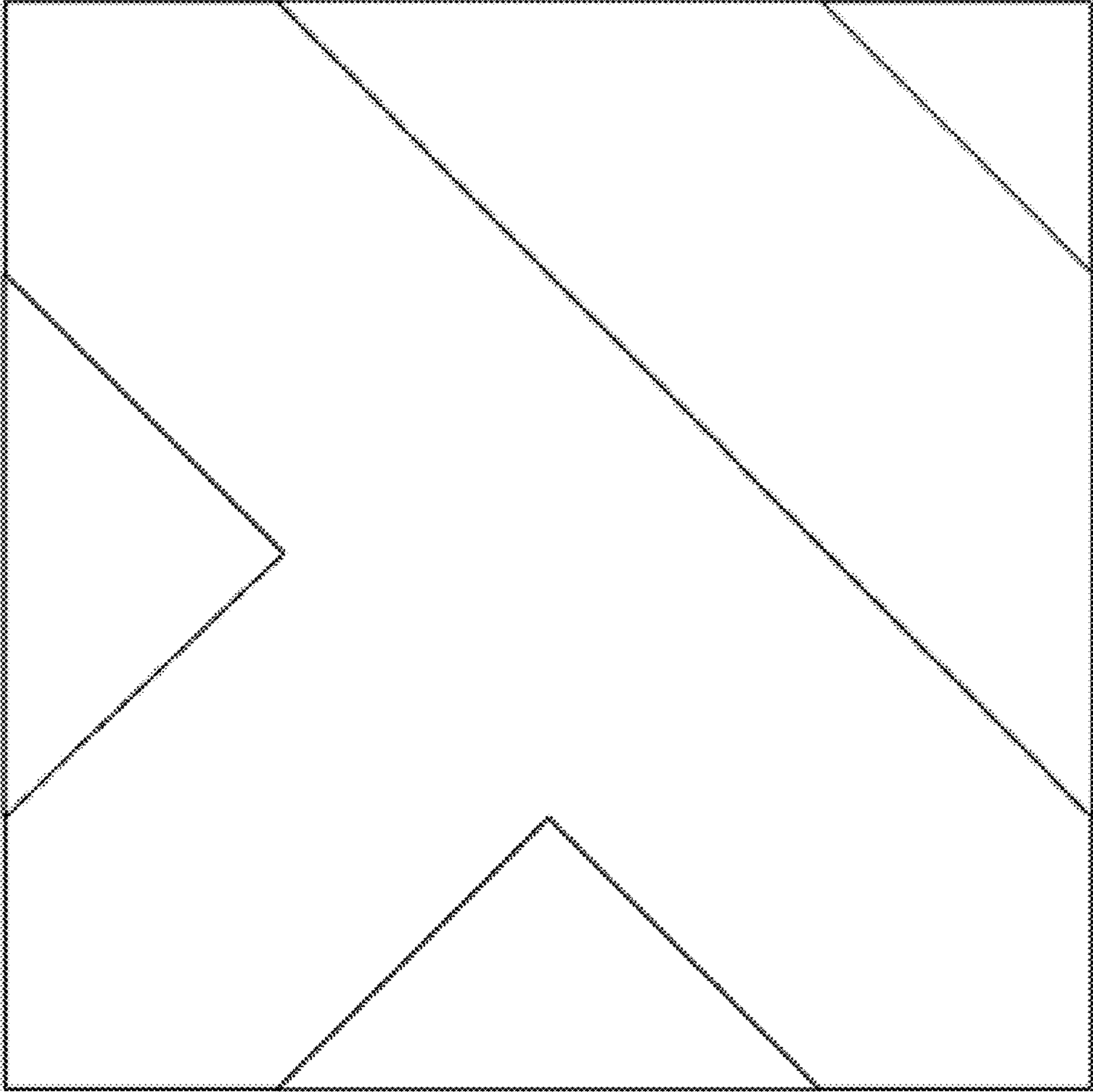


FIGURE 2

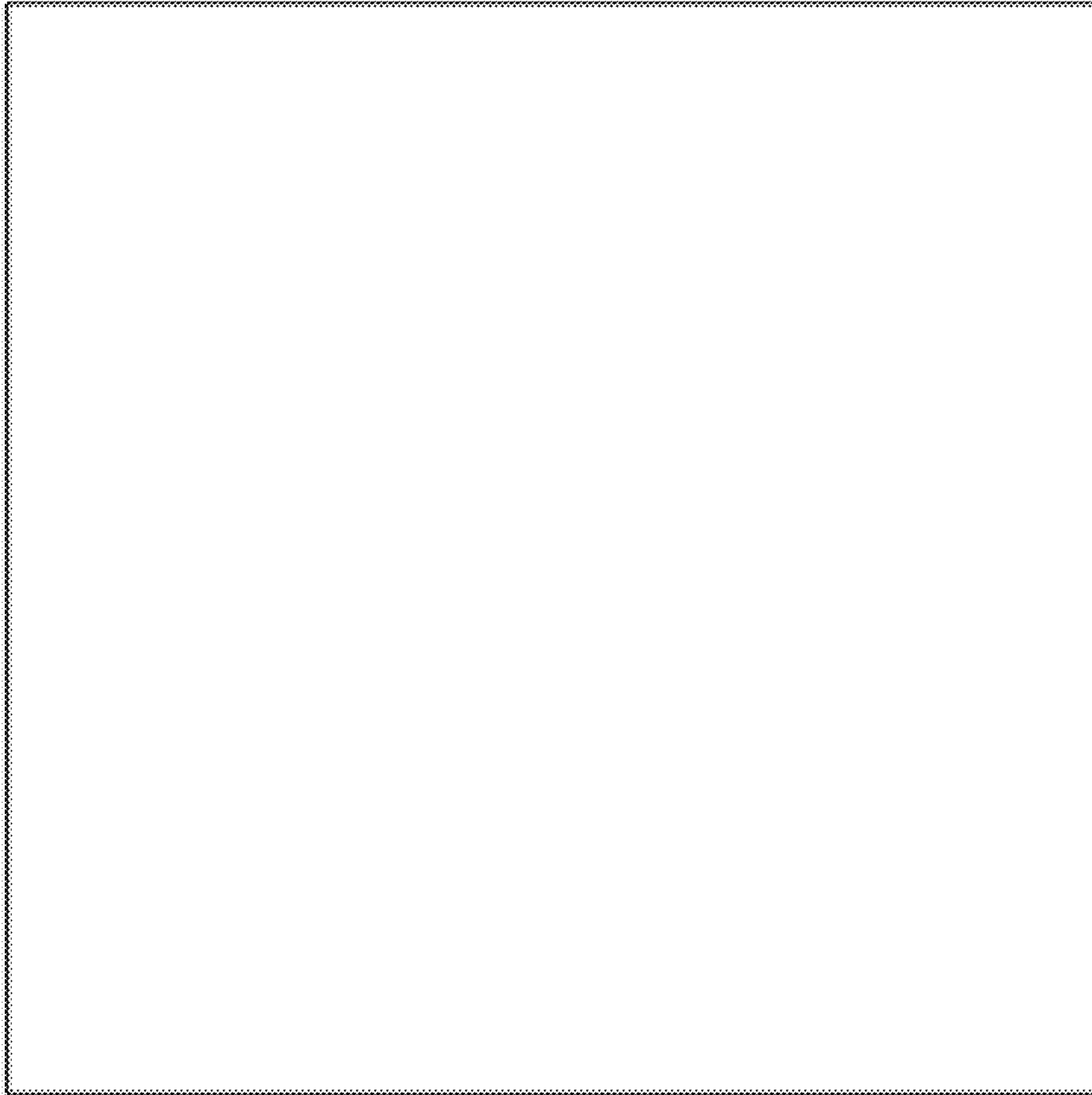


FIGURE 3

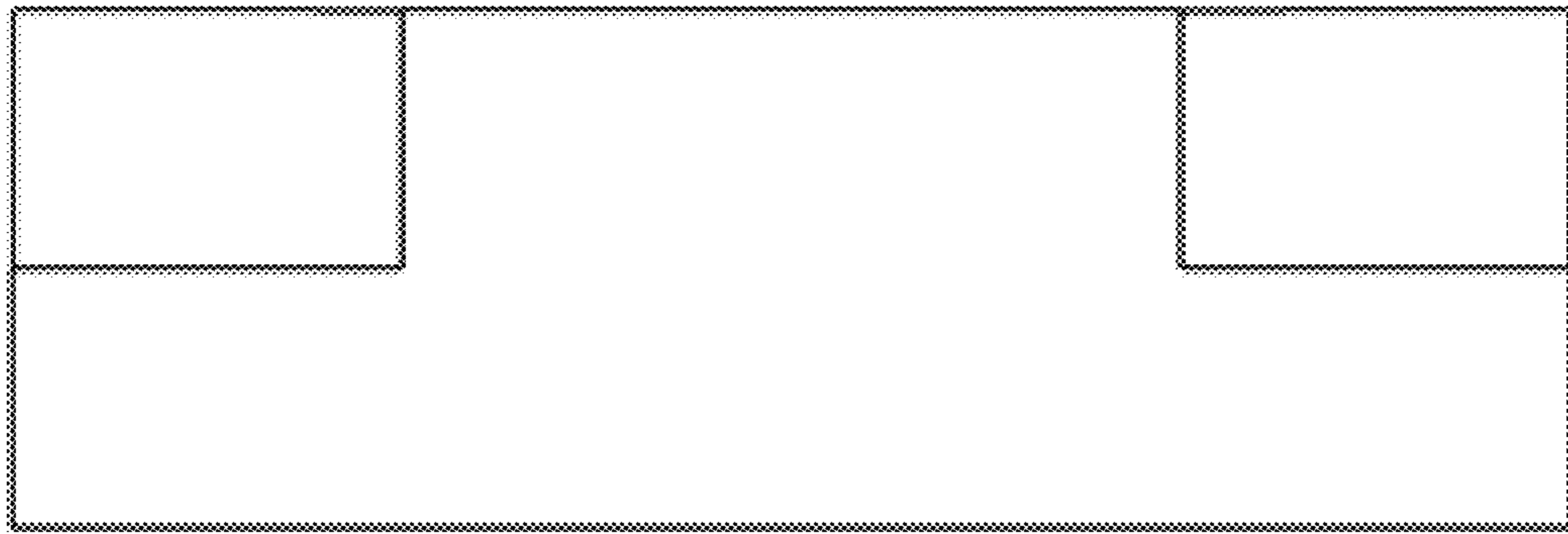


FIGURE 4

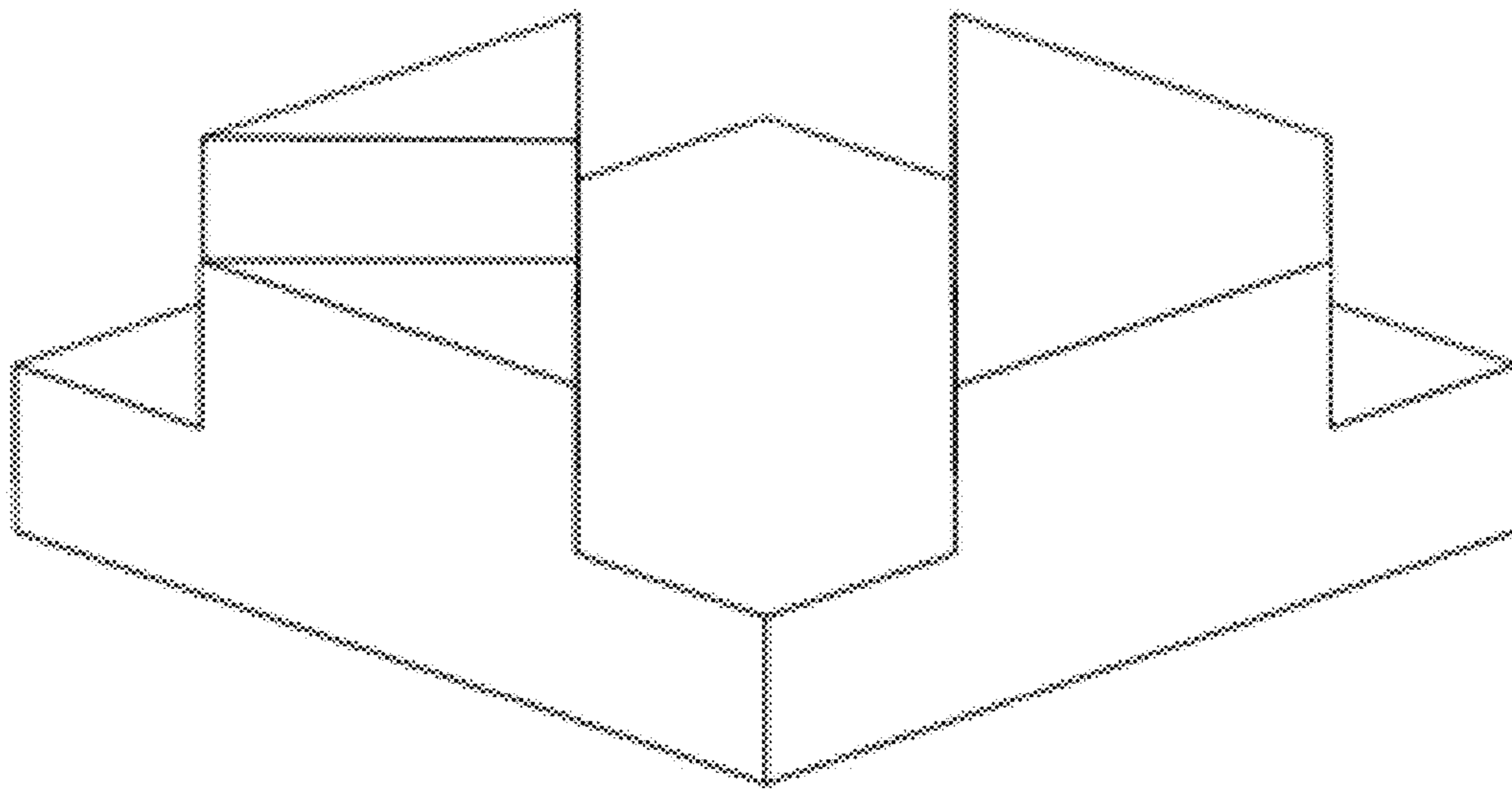


FIGURE 5

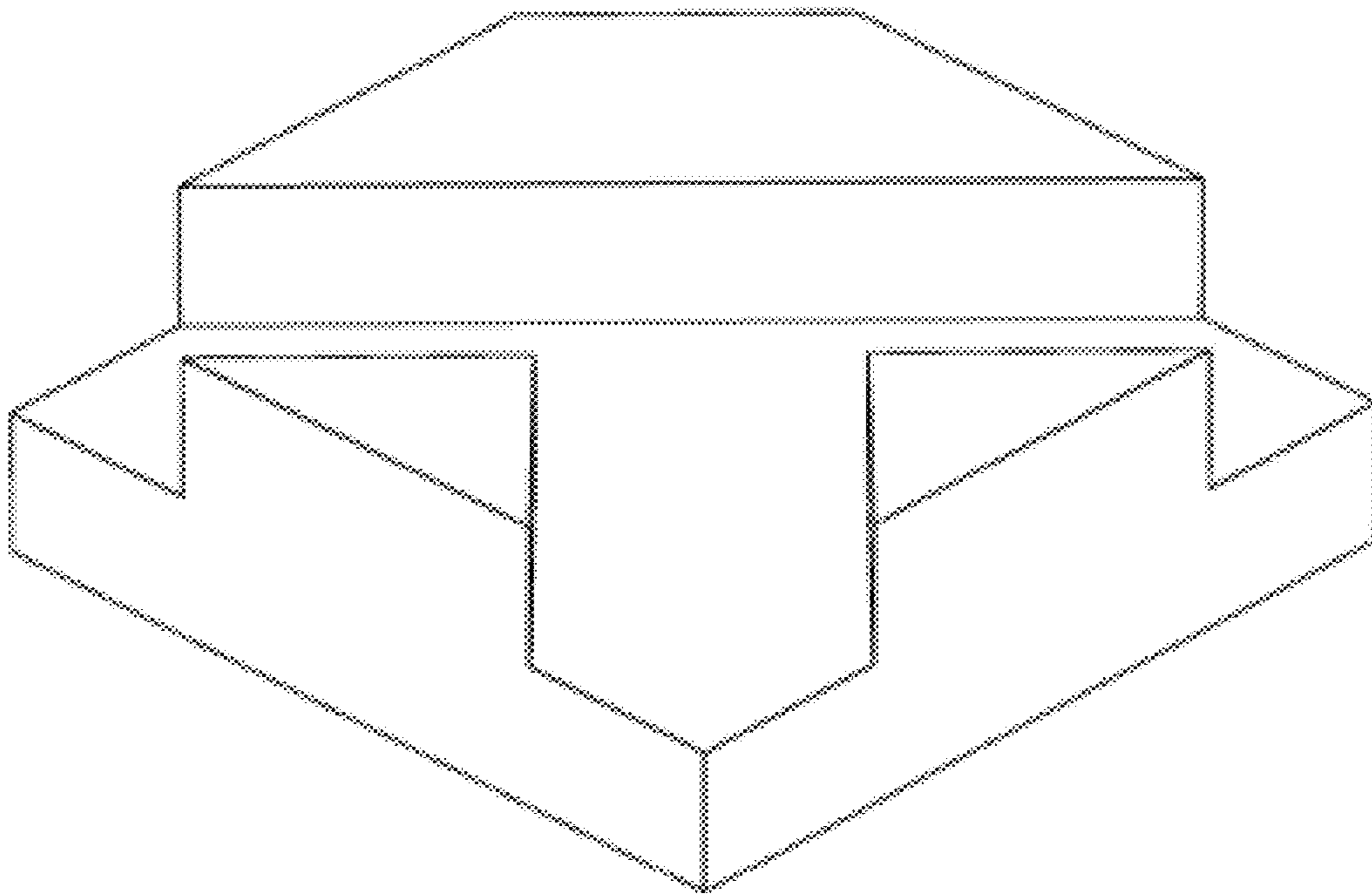


FIGURE 6

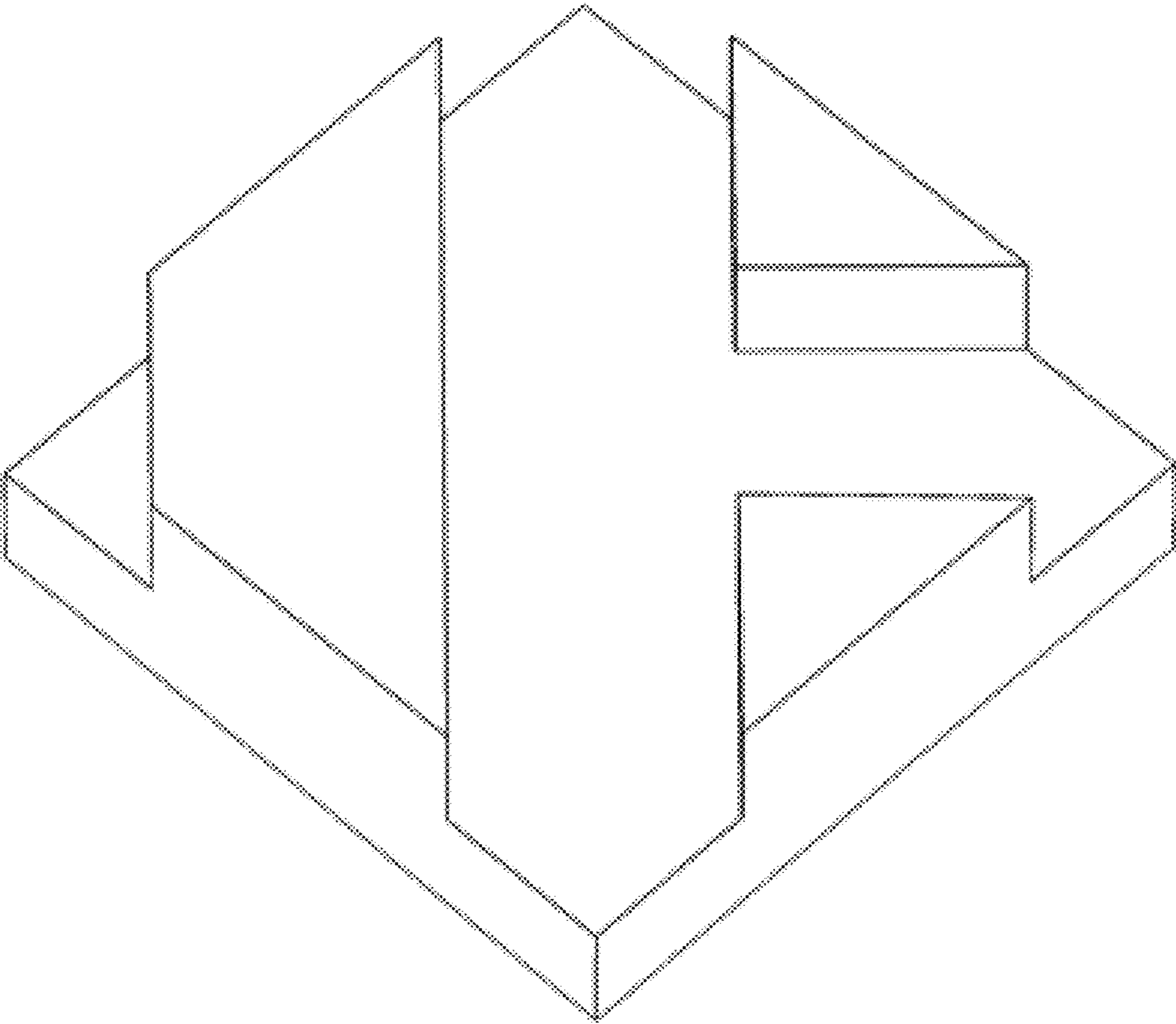


FIGURE 7