



US00D816771S

(12) **United States Design Patent** (10) **Patent No.:** **US D816,771 S**  
**Kobe** (45) **Date of Patent:** **\*\* May 1, 2018**

(54) **DIGITAL PARCEL VENDING MACHINE**

D195,373 S \* 6/1963 Dwyar ..... D99/28  
3,184,105 A \* 5/1965 Willoughby ..... G07F 11/00  
221/129  
3,334,953 A \* 8/1967 Becker ..... E05B 73/00  
312/257.1

(71) Applicant: **EIGHT INC. DESIGN SINGAPORE PTE. LTD.**, Singapore (SG)

(72) Inventor: **Timothy Mathew Kobe**, Singapore (SG)

(Continued)

(73) Assignee: **Eight Inc. Design Singapore Pte. Ltd.**, Singapore (SG)

(\*\*) Term: **15 Years**

(21) Appl. No.: **29/577,711**

(22) Filed: **Sep. 15, 2016**

(30) **Foreign Application Priority Data**

Mar. 23, 2016 (SG) ..... 30201602324S

(51) **LOC (11) Cl.** ..... **20-01**

(52) **U.S. Cl.**  
USPC ..... **D20/1**

(58) **Field of Classification Search**

USPC ..... D6/361; D7/306; D15/79, 81;  
D18/35.1; D20/1, 3, 8; D99/28  
CPC ... G07F 3/06; G07F 9/023; G07F 9/00; G07F  
9/10; G07F 11/00; G07F 11/005; G07F  
11/16; G07F 11/42; G07F 11/46; G07F  
11/58; G07F 13/06

See application file for complete search history.

(56) **References Cited**

**U.S. PATENT DOCUMENTS**

2,078,490 A \* 4/1937 Fritsche ..... G07F 11/24  
194/293  
D145,609 S \* 9/1946 Bach ..... D20/3  
2,726,026 A \* 12/1955 Gould ..... G07F 13/065  
141/104  
2,735,578 A \* 2/1956 Woodruff ..... G07F 11/46  
221/11  
2,878,961 A \* 3/1959 Voorhees ..... G07F 11/08  
188/316

**OTHER PUBLICATIONS**

“Azkoyen introduces Novara: The new age” Jan. 4, 2012, azkoyenvending.com, site visited Sep. 13, 2017 <<http://www.azkoyenvending.com/news/azkoyen-introduces-novara-the-new-age/>> (Year: 2012).\*

*Primary Examiner* — Kevin K Rudzinski

*Assistant Examiner* — Paul D Bohannon

(74) *Attorney, Agent, or Firm* — Porter, Wright, Morris & Arthur, LLP

(57) **CLAIM**

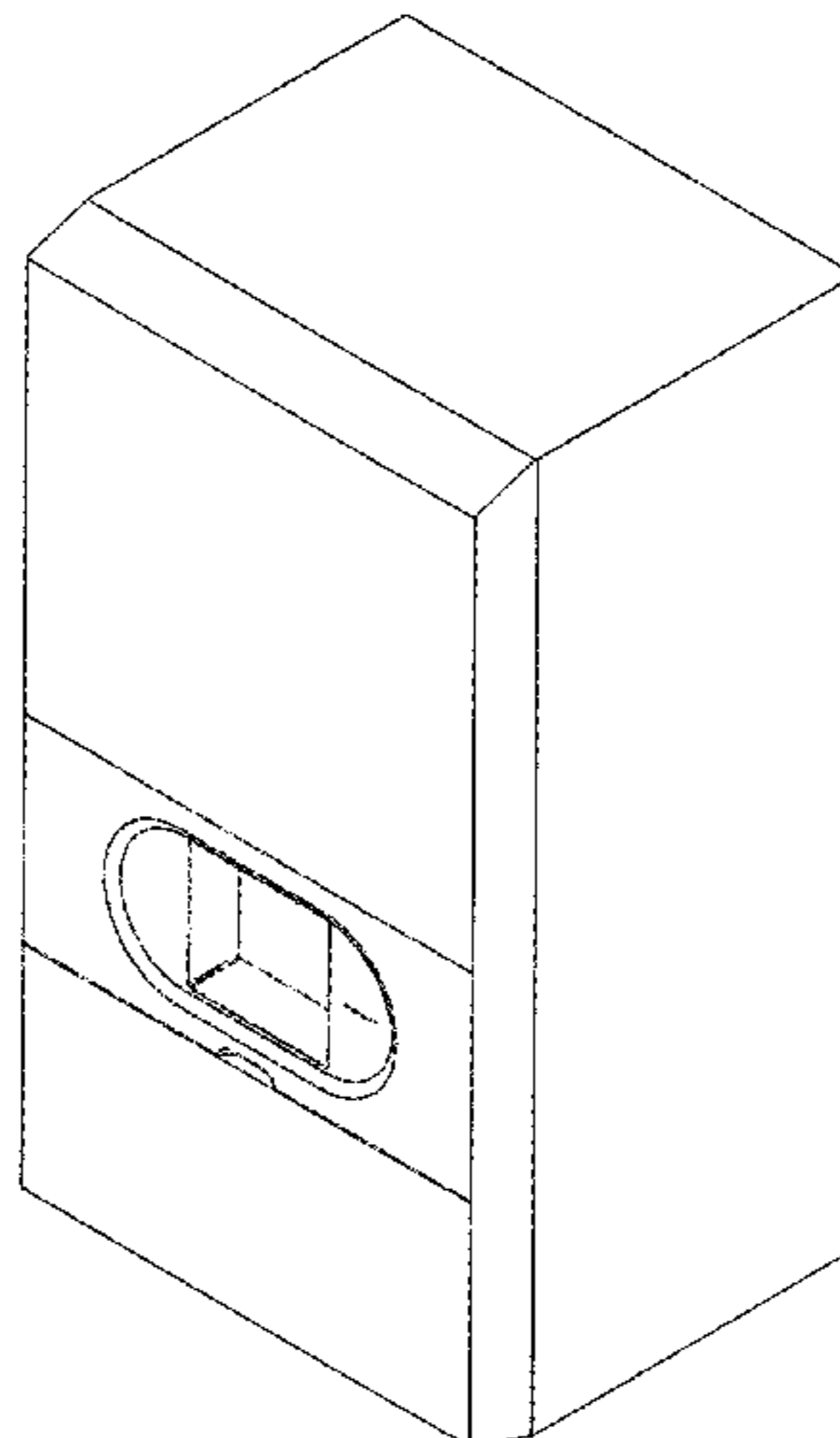
The ornamental design for a digital parcel vending machine, as shown and described.

**DESCRIPTION**

FIG. 1 is a perspective view of a digital parcel vending machine according to my new design;  
FIG. 2 is a front view thereof;  
FIG. 3 is a rear view thereof;  
FIG. 4 is a right side view thereof;  
FIG. 5 is a left side view thereof;  
FIG. 6 is a top view thereof;  
FIG. 7 is a bottom view thereof;  
FIG. 8 is a perspective view thereof with a screen open;  
FIG. 9 is a perspective view thereof with a door open; and,  
FIG. 10 is a perspective view thereof with a lower door open.

The broken line showing portions of the digital parcel vending machine is for the purpose of illustrating portions of the article that form no part of the claimed design.

**1 Claim, 10 Drawing Sheets**



(56)

References Cited

U.S. PATENT DOCUMENTS

D290,619 S \* 6/1987 Brandes ..... D20/5  
 5,018,614 A \* 5/1991 Ruckert ..... B65H 3/042  
 194/236  
 6,371,581 B1 \* 4/2002 Ring ..... G07F 9/10  
 312/138.1  
 D544,919 S \* 6/2007 Roekens ..... D20/1  
 D544,920 S \* 6/2007 Roekens ..... D20/1  
 D692,952 S \* 11/2013 d'Amore ..... D20/8  
 D693,405 S \* 11/2013 d'Amore ..... D20/1  
 D696,350 S \* 12/2013 d'Amore ..... D20/1  
 D698,392 S \* 1/2014 d'Amore ..... D20/1  
 D710,642 S \* 8/2014 Broen ..... D7/306  
 D710,643 S \* 8/2014 Broen ..... D7/306  
 D716,093 S \* 10/2014 Jakeman ..... D7/306  
 D735,779 S \* 8/2015 Hwang ..... D15/81  
 D736,272 S \* 8/2015 Stolarz ..... D15/81  
 9,228,386 B2 \* 1/2016 Thielmann ..... E05F 17/002  
 D781,930 S \* 3/2017 Ward ..... D15/79  
 2002/0060457 A1 \* 5/2002 Roatis ..... E05B 17/0029  
 292/199  
 2002/0162851 A1 \* 11/2002 Guindulain  
 Vidondo ..... B65B 5/103  
 221/124  
 2003/0146238 A1 \* 8/2003 Beauregard ..... G07F 11/32  
 221/279

2003/0146239 A1 \* 8/2003 Beauregard ..... G07F 11/32  
 221/307  
 2003/0173883 A1 \* 9/2003 Koons ..... F25D 23/021  
 312/405  
 2006/0131322 A1 \* 6/2006 Pesenti Barili ..... G07F 11/16  
 221/85  
 2008/0245820 A1 \* 10/2008 Pfister ..... G07F 11/04  
 221/1  
 2010/0294834 A1 \* 11/2010 Wong ..... G07D 11/0057  
 235/379  
 2013/0026174 A1 \* 1/2013 Yuyama ..... G07F 11/00  
 221/2  
 2013/0032609 A1 \* 2/2013 Righetti ..... A47F 1/10  
 221/103  
 2013/0290122 A1 \* 10/2013 Royal, Jr. .... G07F 9/023  
 705/25  
 2014/0069963 A1 \* 3/2014 Stein ..... B67D 3/0009  
 222/481.5  
 2014/0175109 A1 \* 6/2014 Gao ..... G07F 11/16  
 221/12  
 2014/0175111 A1 \* 6/2014 Gao ..... G07F 11/16  
 221/133  
 2014/0217115 A1 \* 8/2014 Gao ..... G07F 11/42  
 221/253  
 2015/0375277 A1 \* 12/2015 Hall ..... B08B 1/00  
 134/169 R  
 2017/0228959 A1 \* 8/2017 Bothos ..... G07F 13/06  
 2017/0256115 A1 \* 9/2017 Diaz ..... G07F 9/023

\* cited by examiner

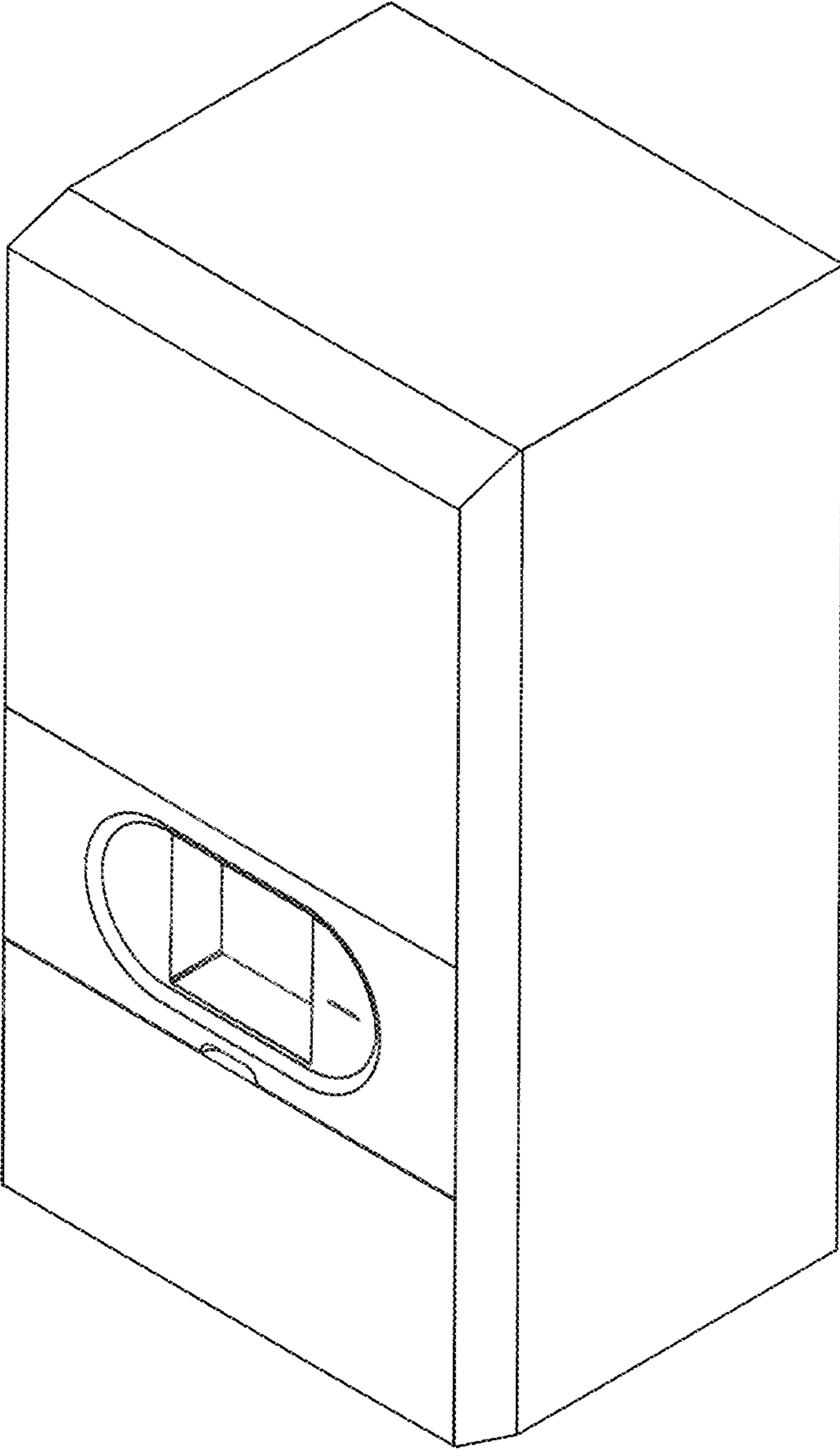


FIG. 1

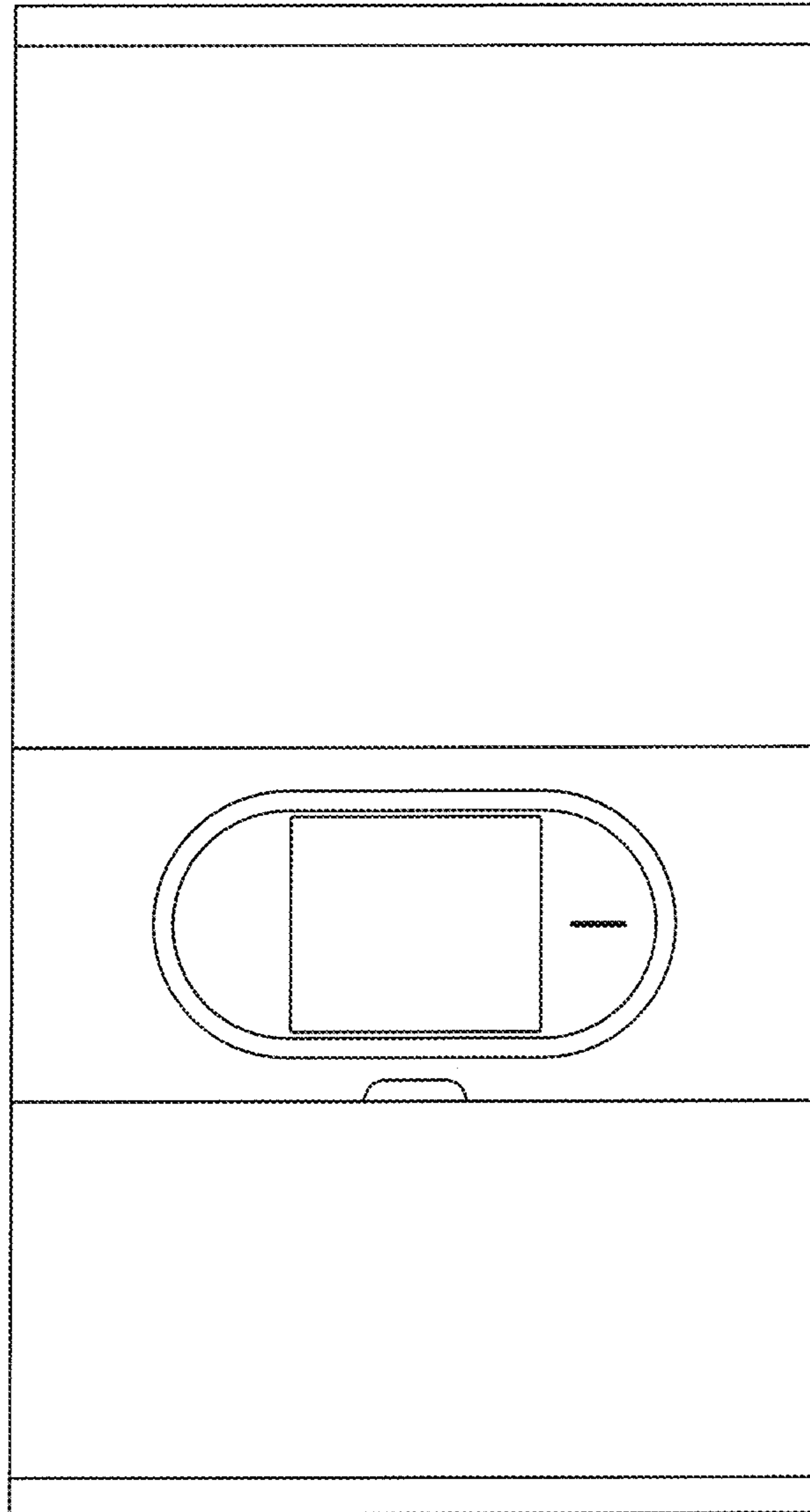


FIG. 2

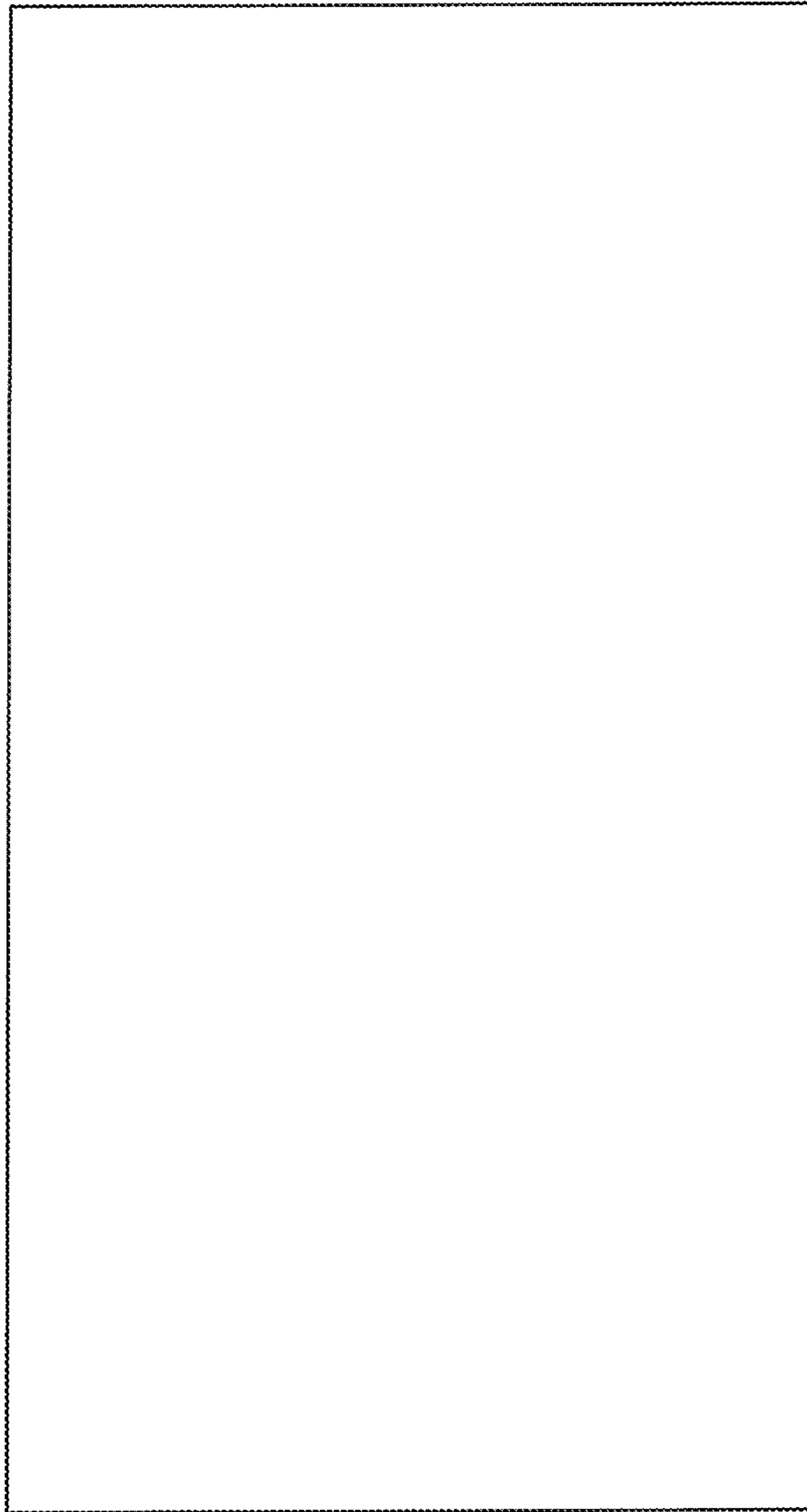


FIG. 3

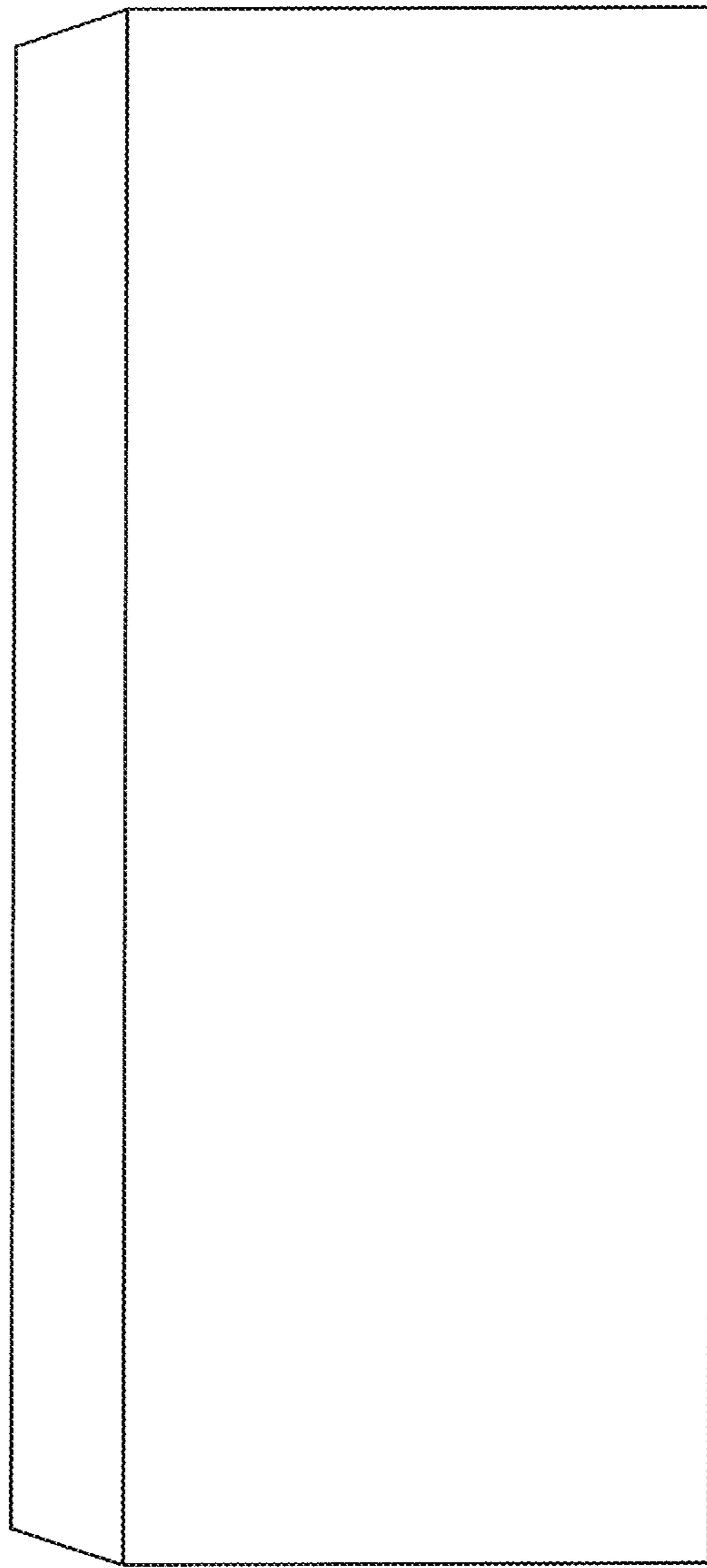


FIG. 4

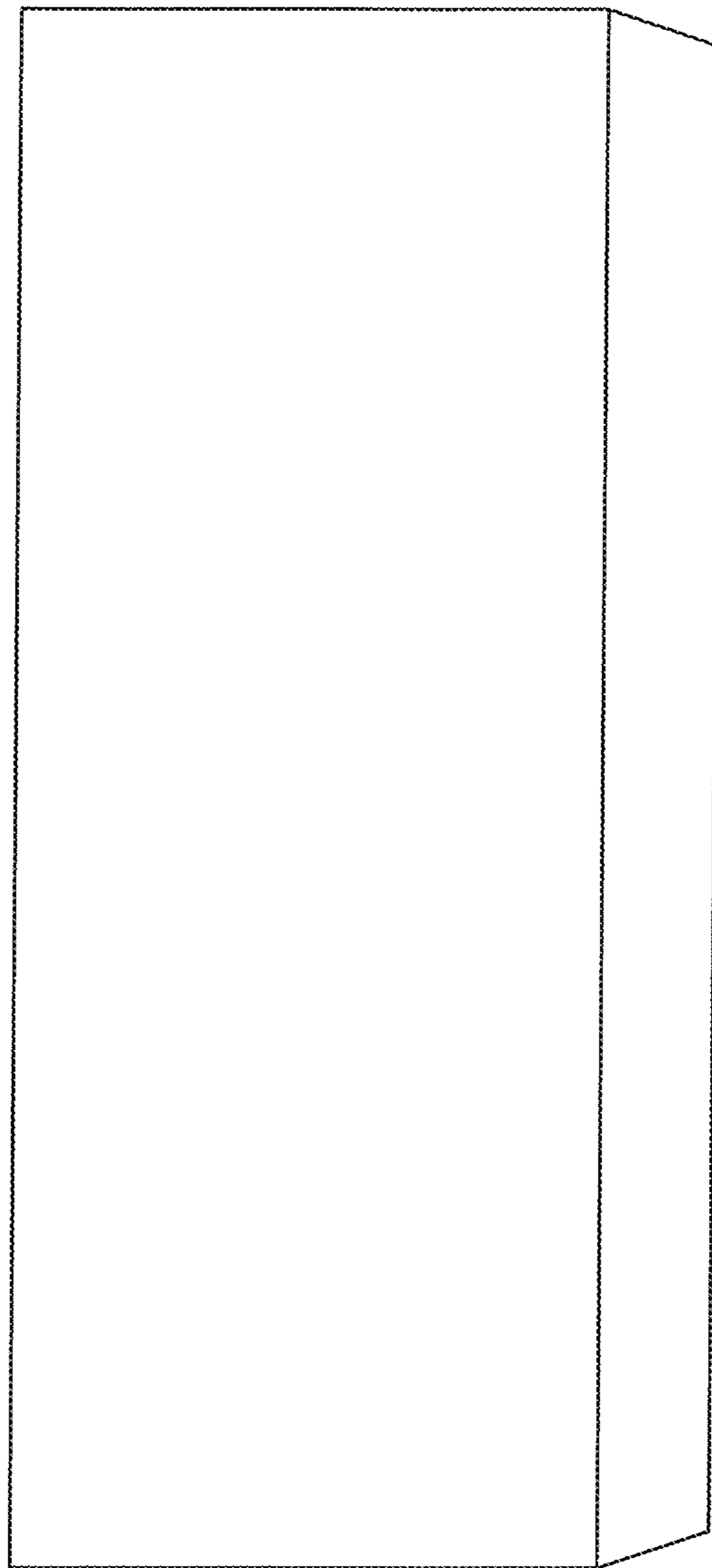


FIG. 5

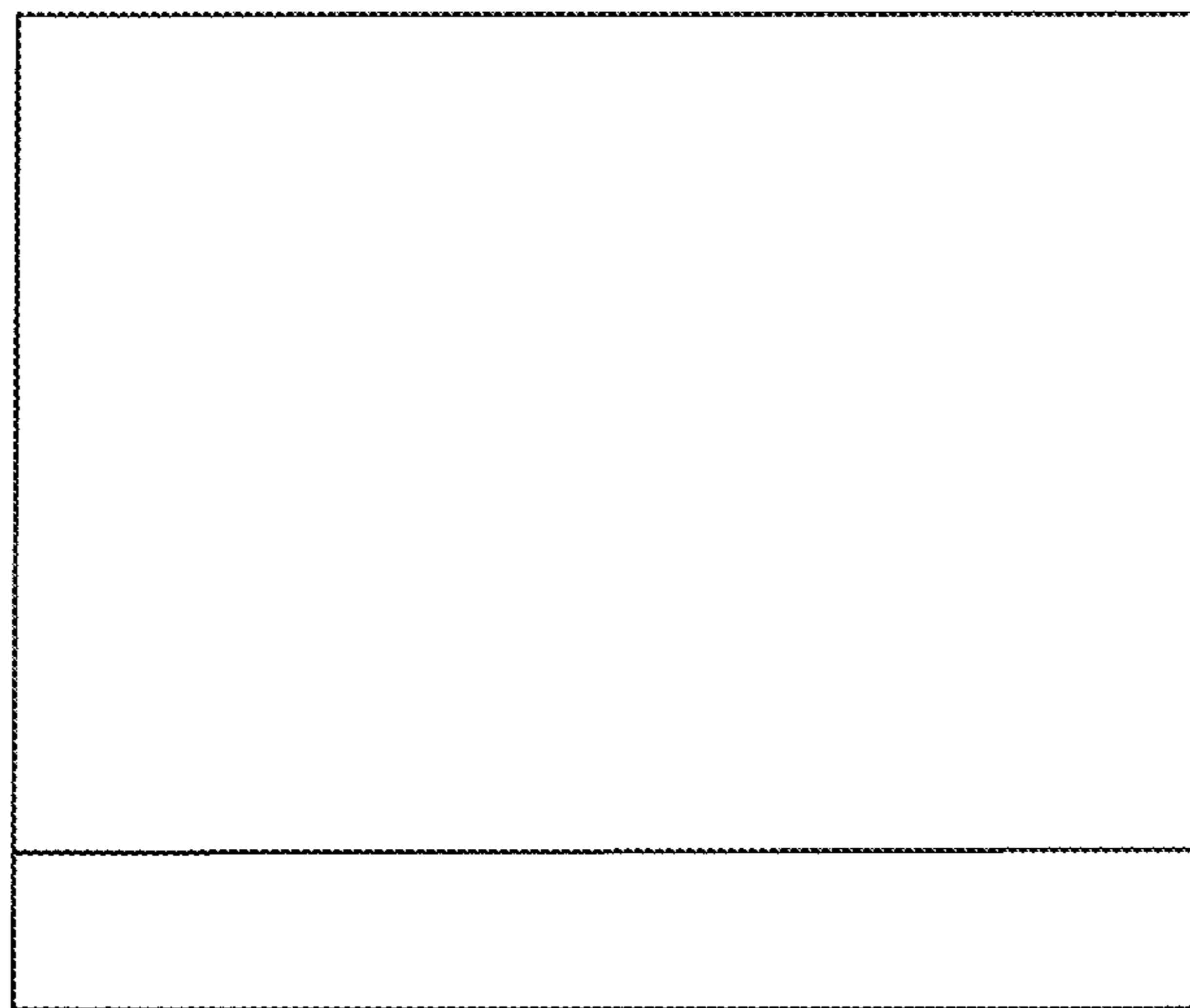


FIG. 6



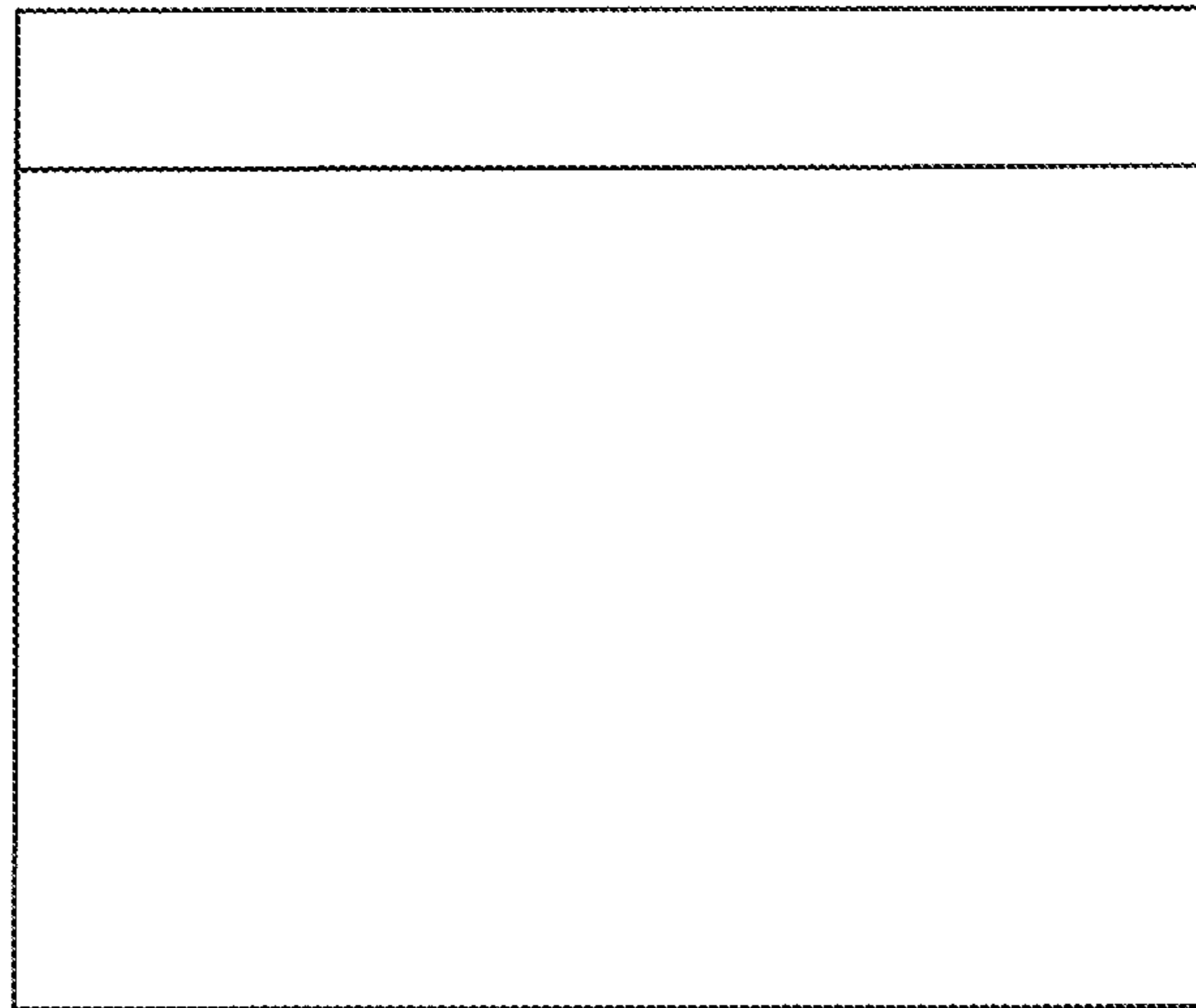


FIG. 7

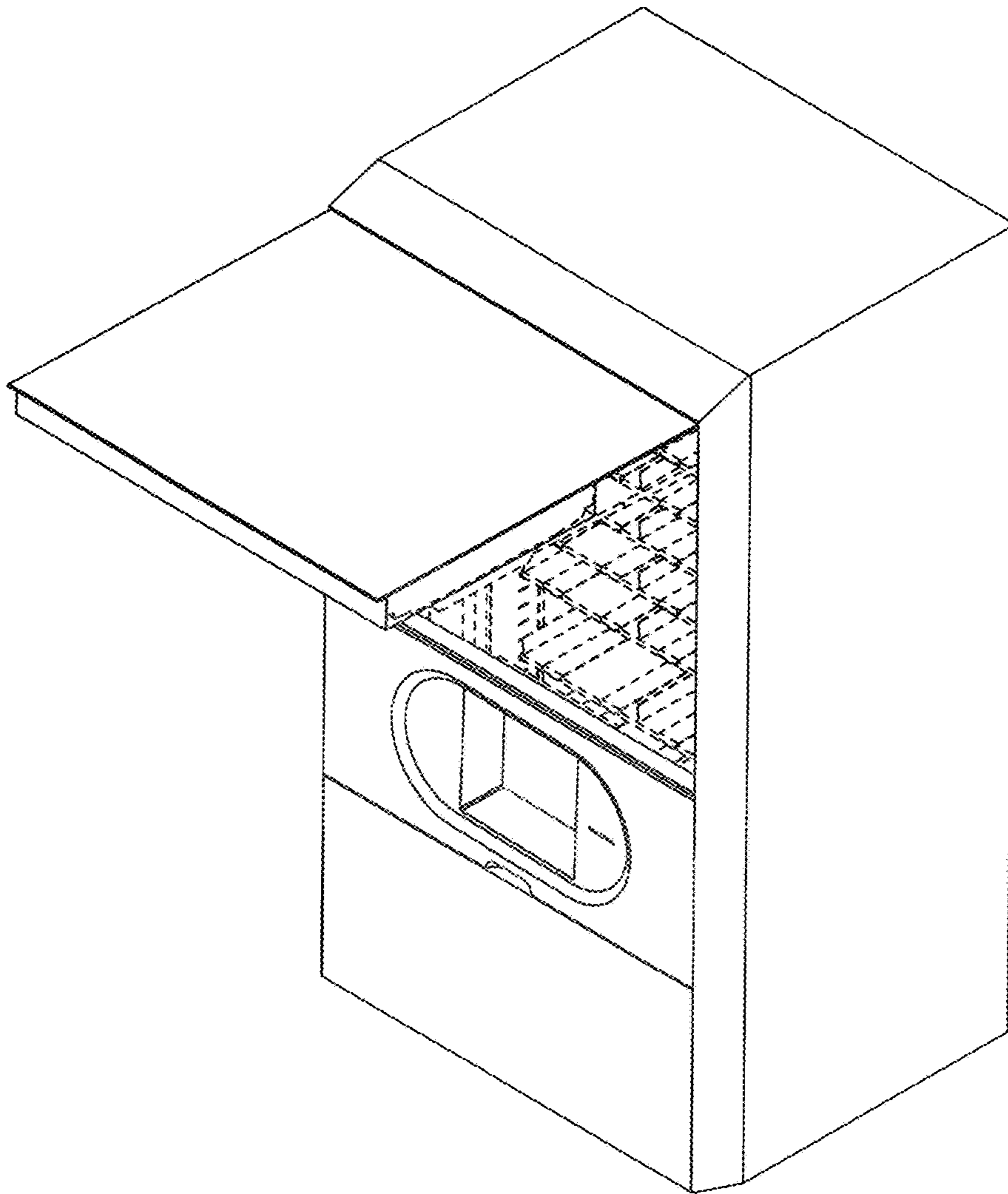


FIG. 8

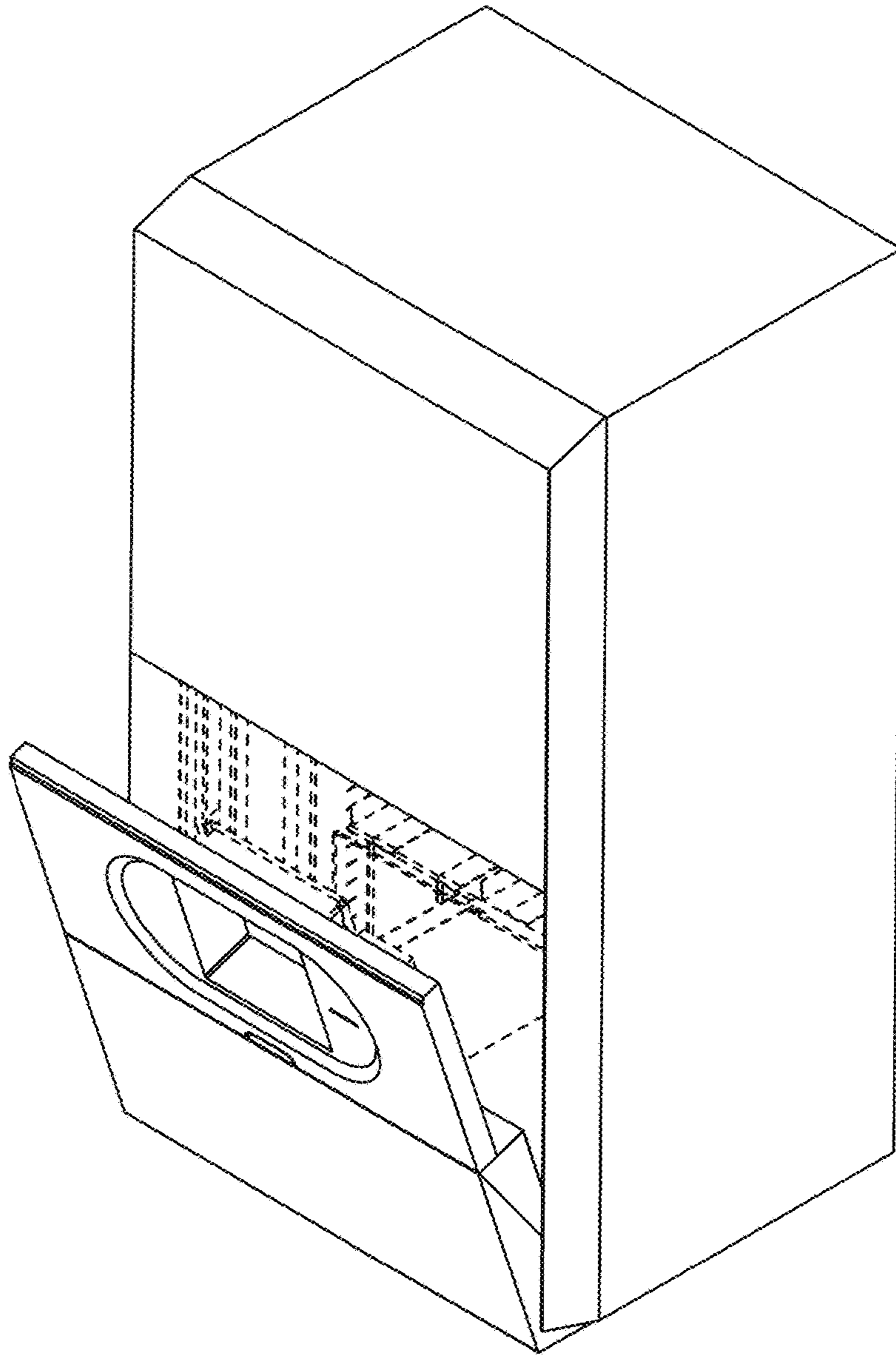


FIG. 9

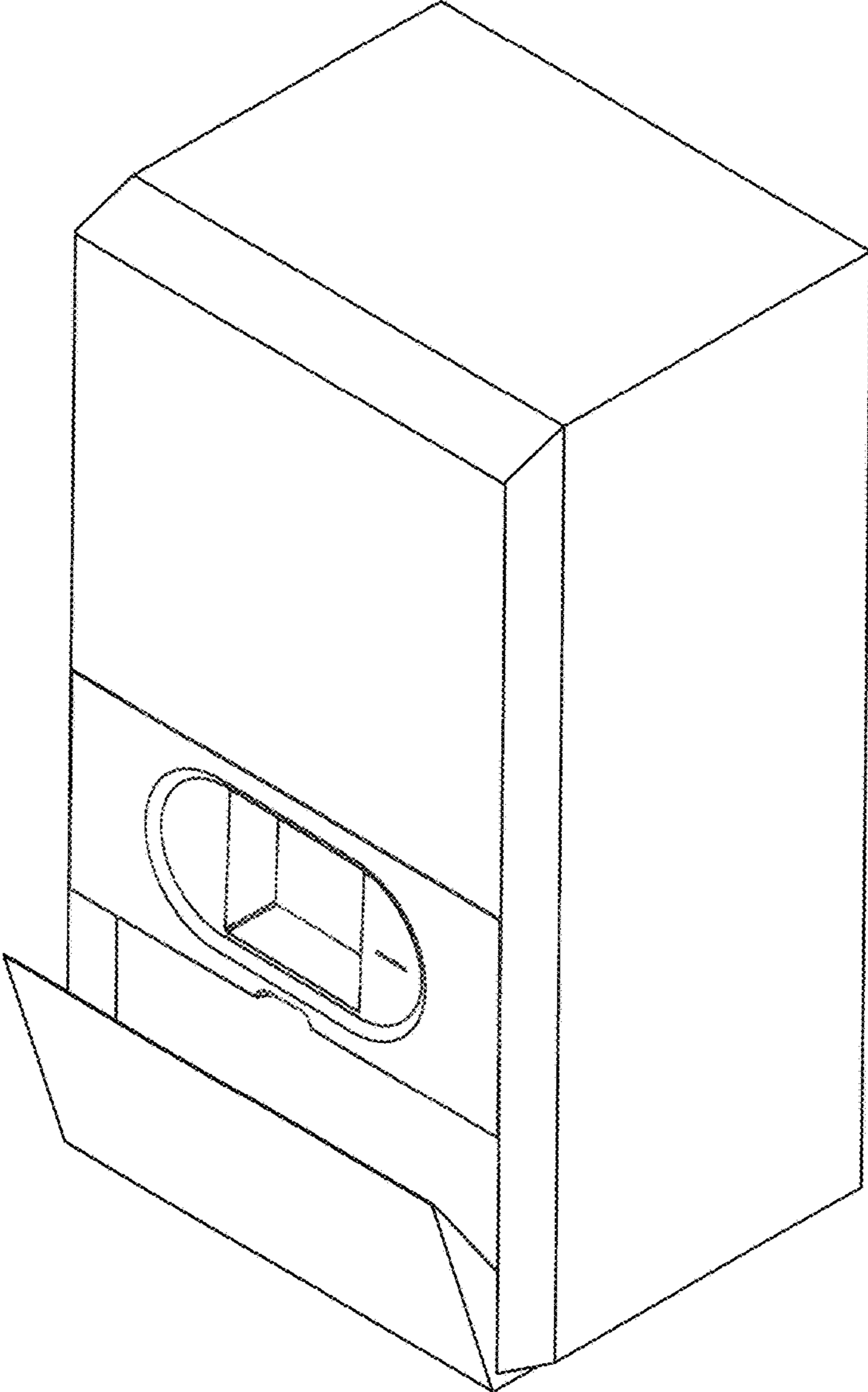


FIG. 10