



US00D816768S

(12) **United States Design Patent**  
**Riccobono**

(10) **Patent No.:** **US D816,768 S**

(45) **Date of Patent:** **\*\* May 1, 2018**

- (54) **STRETCHED CANVAS BANNER**
- (71) Applicant: **Collectible Canvas LLC**, Muskego, WI (US)
- (72) Inventor: **Nick G. Riccobono**, Oak Creek, WI (US)
- (73) Assignee: **Collectible Canvas LLC**, Muskego, WI (US)
- (\*\*) Term: **15 Years**

D322,758 S *	12/1991	Haire .....	D9/430
D338,595 S *	8/1993	Cafarella .....	D3/304
D338,596 S *	8/1993	Cafarella .....	D7/551.1
D346,520 S *	5/1994	Barfield .....	D6/552
5,676,607 A *	10/1997	Stumpf .....	A63B 69/0002 473/455
6,016,910 A *	1/2000	Rodearmel .....	G09F 19/00 206/315.1
D430,755 S *	9/2000	Simmons .....	D6/661
D462,091 S *	8/2002	Lowder .....	D19/86
D462,832 S *	9/2002	Lowder .....	D3/207
D478,953 S *	8/2003	Nobriga .....	D21/780
D534,094 S *	12/2006	Trainor .....	D11/116
7,207,635 B2 *	4/2007	Simmons .....	A47F 3/002 206/6.1

- (21) Appl. No.: **29/611,039**
- (22) Filed: **Jul. 18, 2017**
- (51) **LOC (11) Cl.** ..... **19-06**
- (52) **U.S. Cl.**  
USPC ..... **D19/113**
- (58) **Field of Classification Search**  
USPC ..... D6/300-308, 310-312, 314; D9/433;  
D19/111, 113, 114; D11/165-180  
CPC . B44D 3/18; B44D 3/185; B44D 3/22; B44D  
2/002; B44D 2/007; A47G 1/06; A47G  
1/0633; A47G 1/08; A47G 1/10  
See application file for complete search history.

(Continued)

*Primary Examiner* — Elizabeth Albert  
(74) *Attorney, Agent, or Firm* — Boyle Fredrickson, S.C.

(57) **CLAIM**

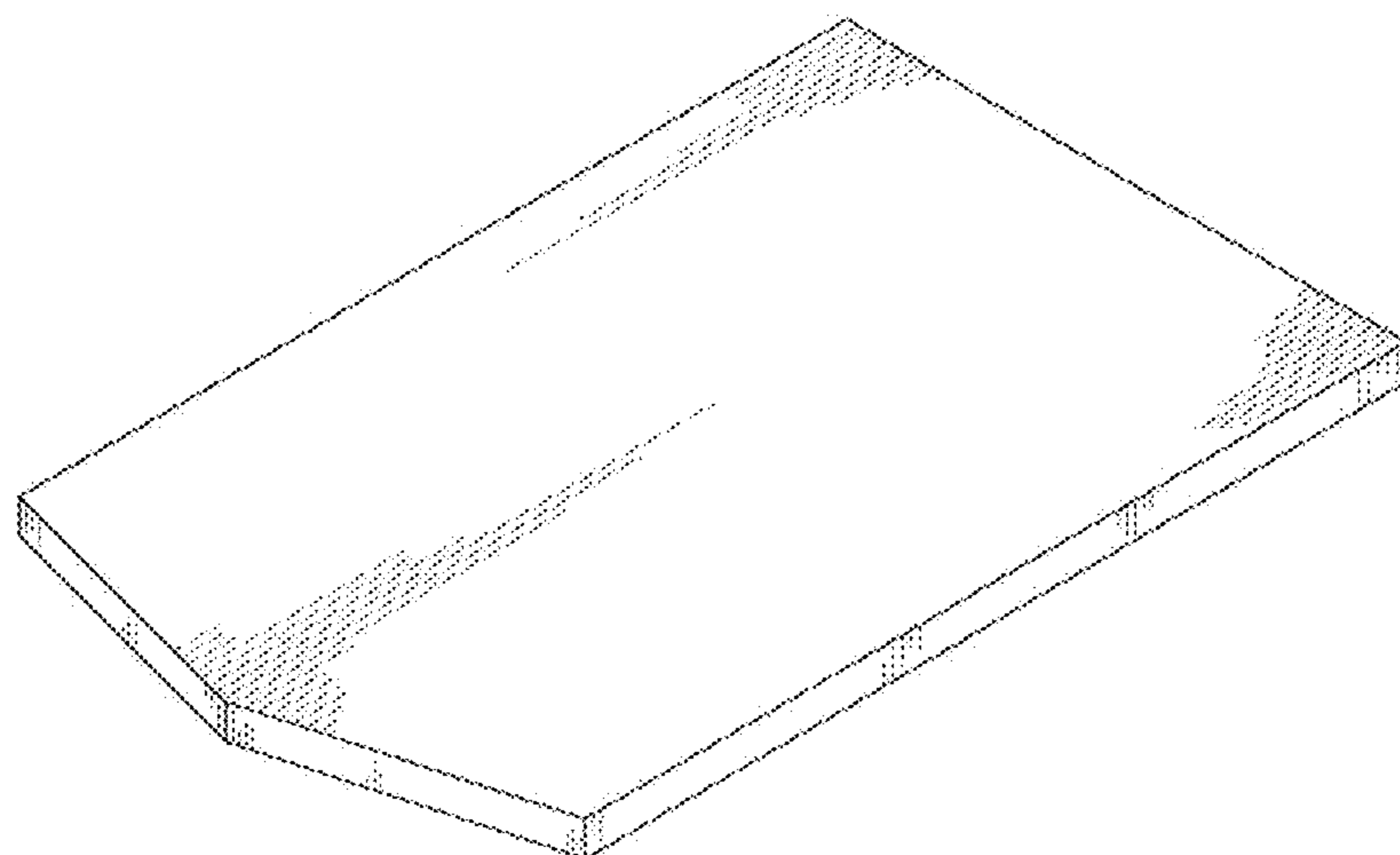
The ornamental design for a stretched canvas banner, as shown and described.

**DESCRIPTION**

FIG. 1 is an isometric view from in front of a stretched canvas banner incorporating my new design;  
 FIG. 2 is an isometric view from in back of the stretched canvas banner of FIG. 1;  
 FIG. 3 is a top plan view the stretched canvas banner of FIG. 1;  
 FIG. 4 is a bottom plan view of the stretched canvas banner of FIG. 1;  
 FIG. 5 is a right side view of the stretched canvas banner of FIG. 1;  
 FIG. 6 is a left side view of the stretched canvas banner of FIG. 1;  
 FIG. 7 is a front elevation view of the stretched canvas banner of FIG. 1; and,  
 FIG. 8 is a rear elevation view of the stretched canvas banner of FIG. 1.

- (56) **References Cited**  
U.S. PATENT DOCUMENTS
- 1,890,483 A \* 12/1932 Wood ..... G09F 17/00  
40/606.18
- D183,594 S \* 9/1958 Booker ..... D19/113
- D192,526 S \* 4/1962 Hyatt et al. .... D7/587
- 3,341,199 A \* 9/1967 Madsen ..... A63C 19/04  
473/499
- 3,747,756 A \* 7/1973 Wheeler ..... B07C 7/04  
206/557
- D257,310 S \* 10/1980 Cosmopulos ..... D7/587
- D284,824 S \* 7/1986 Marshall ..... D6/406.3
- 4,856,779 A \* 8/1989 Wallendal ..... A63B 69/0002  
473/497

**1 Claim, 6 Drawing Sheets**



(56)

**References Cited**

U.S. PATENT DOCUMENTS

D543,758 S \* 6/2007 Olivera ..... D6/552  
D555,986 S \* 11/2007 Goldman ..... D7/698  
7,648,432 B1 \* 1/2010 Hall ..... A63B 69/0013  
473/499  
D653,502 S \* 2/2012 Mitchell ..... D7/571  
8,337,340 B2 \* 12/2012 Clark ..... A63B 69/0013  
473/452  
D678,728 S \* 3/2013 Stevens ..... D7/551.1  
D720,559 S \* 1/2015 Pitti ..... D6/661  
9,272,196 B2 \* 3/2016 Kropff ..... A63B 69/0013  
D755,573 S \* 5/2016 Consolatore ..... D7/551.1  
D760,611 S \* 7/2016 Saari ..... D10/108  
D770,936 S \* 11/2016 Bailey ..... D11/132  
D773,578 S \* 12/2016 Gerut ..... D21/780  
D778,910 S \* 2/2017 Kim ..... D14/374  
9,738,111 B2 \* 8/2017 Jackson ..... B43K 7/005  
2007/0170629 A1 \* 7/2007 Goldman ..... A47J 47/005  
269/289 R

\* cited by examiner

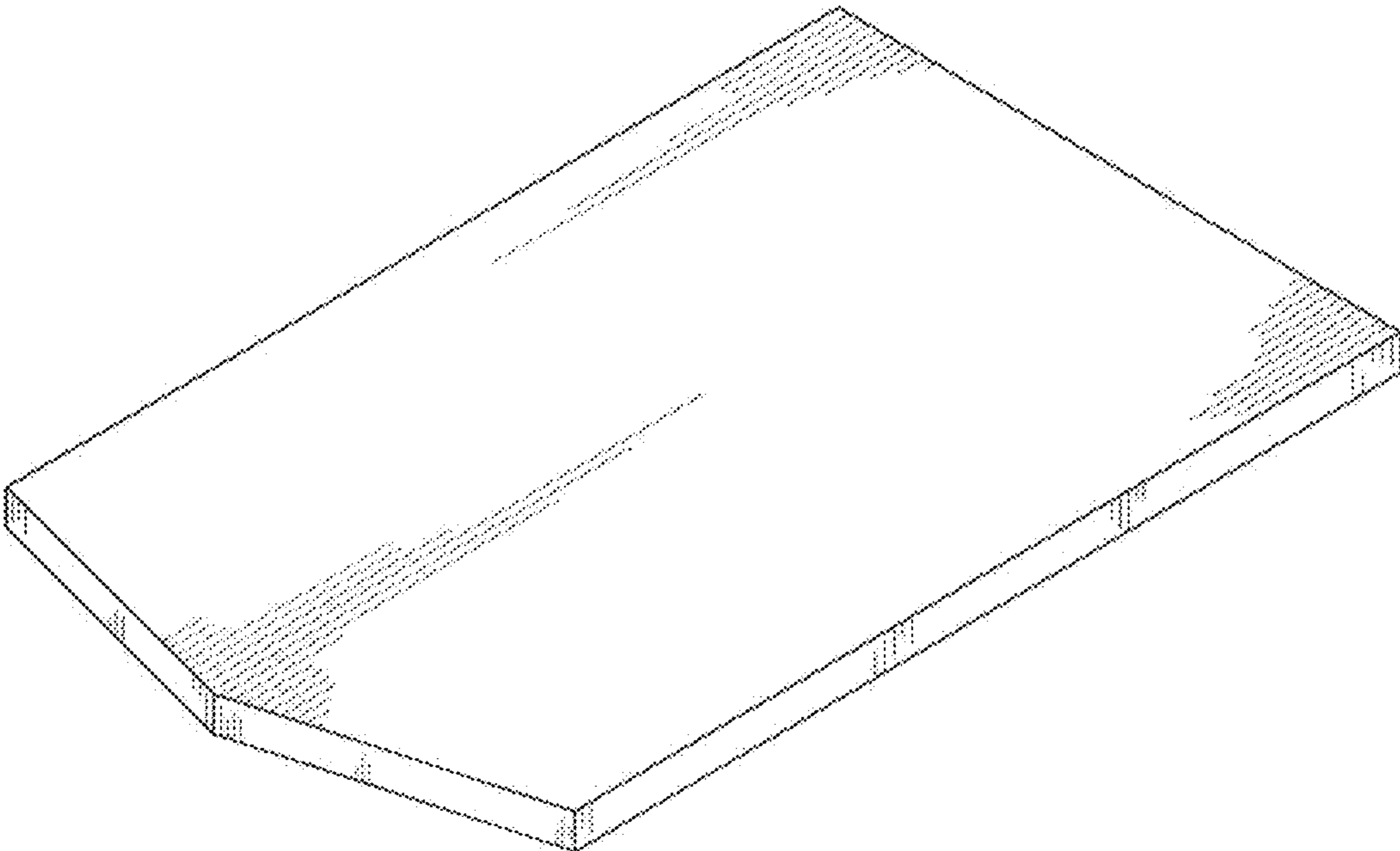


FIG. 1

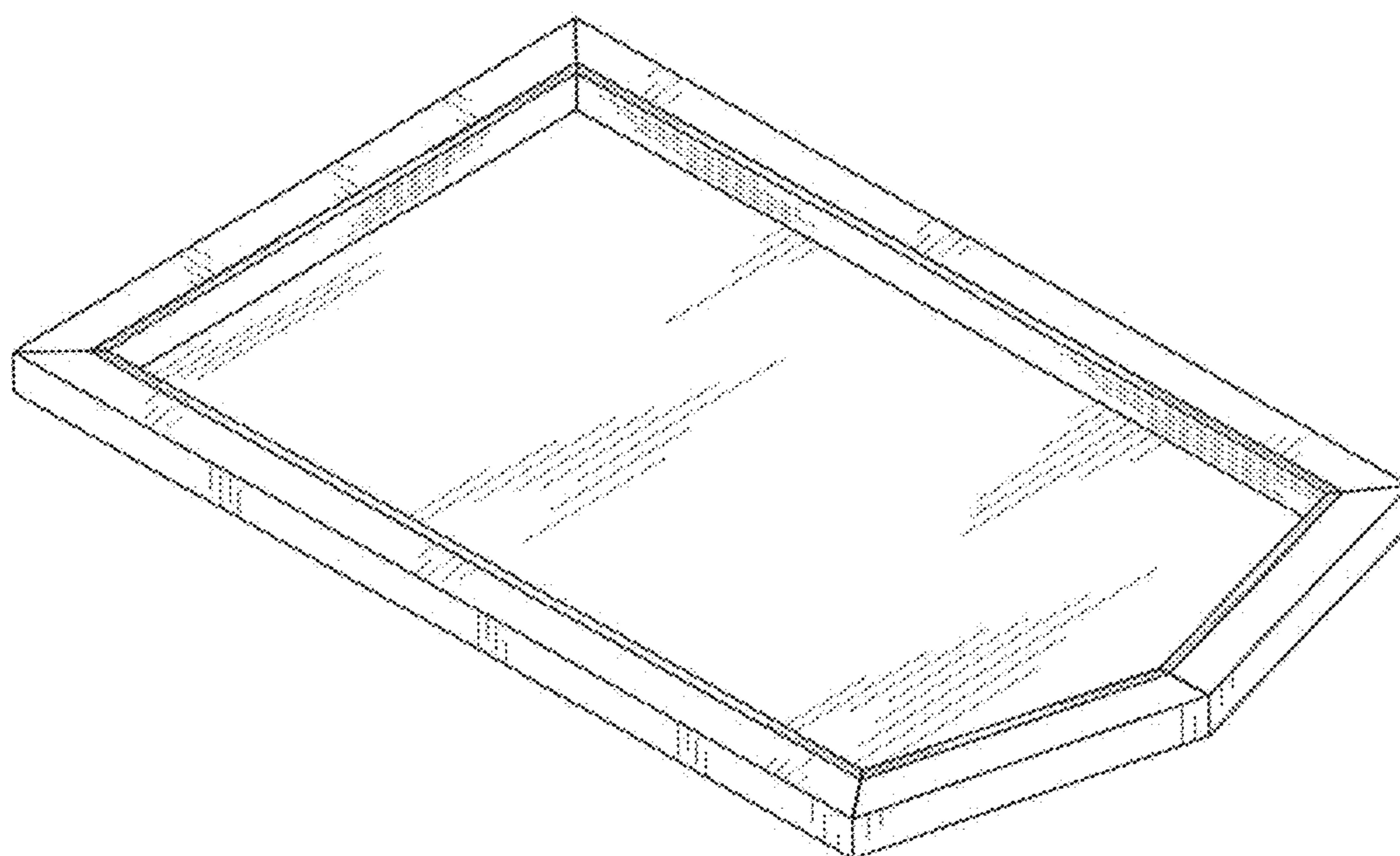


FIG. 2



FIG. 3



FIG. 4



FIG. 5

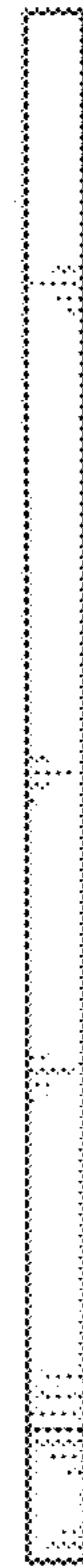


FIG. 6

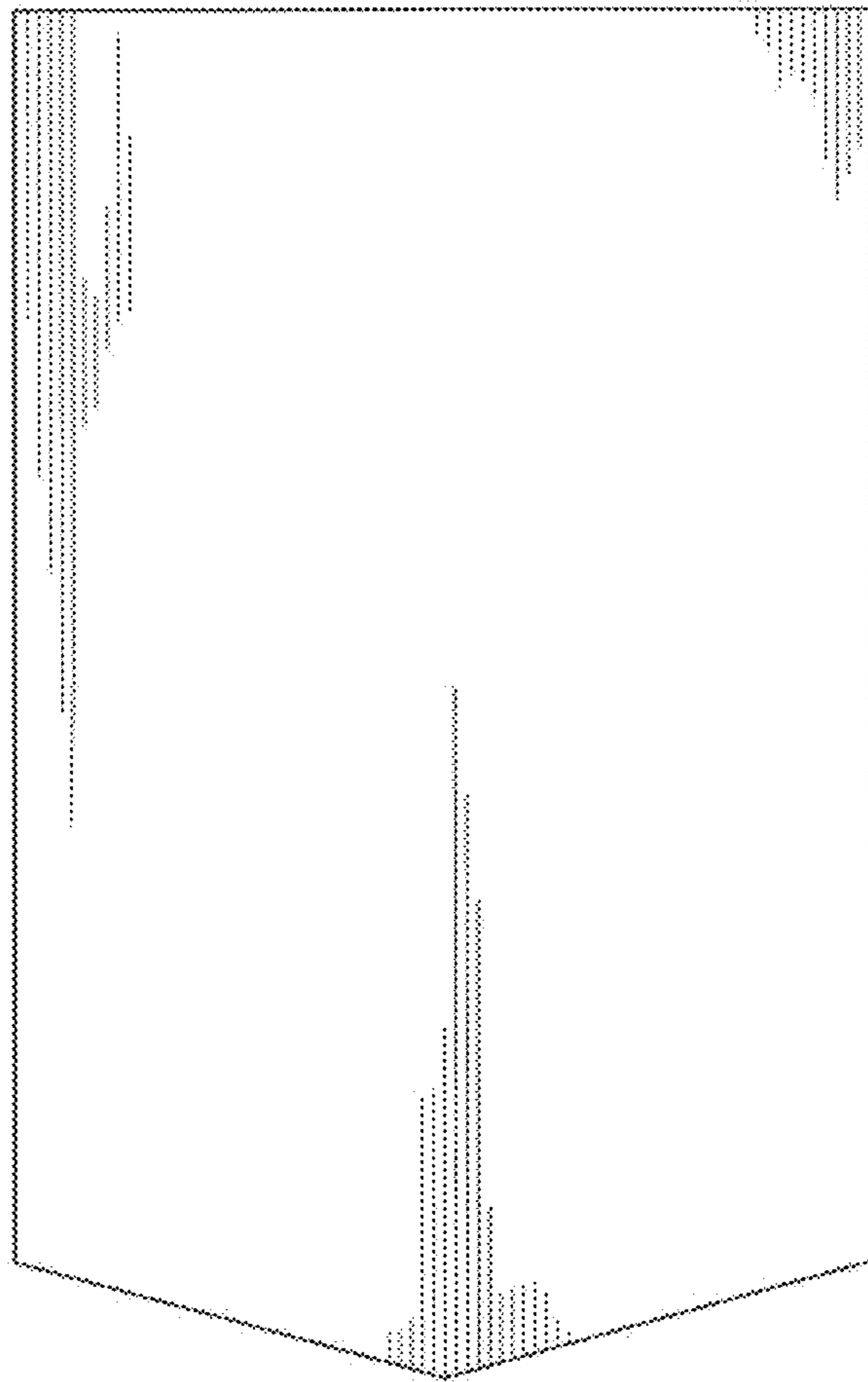


FIG. 7

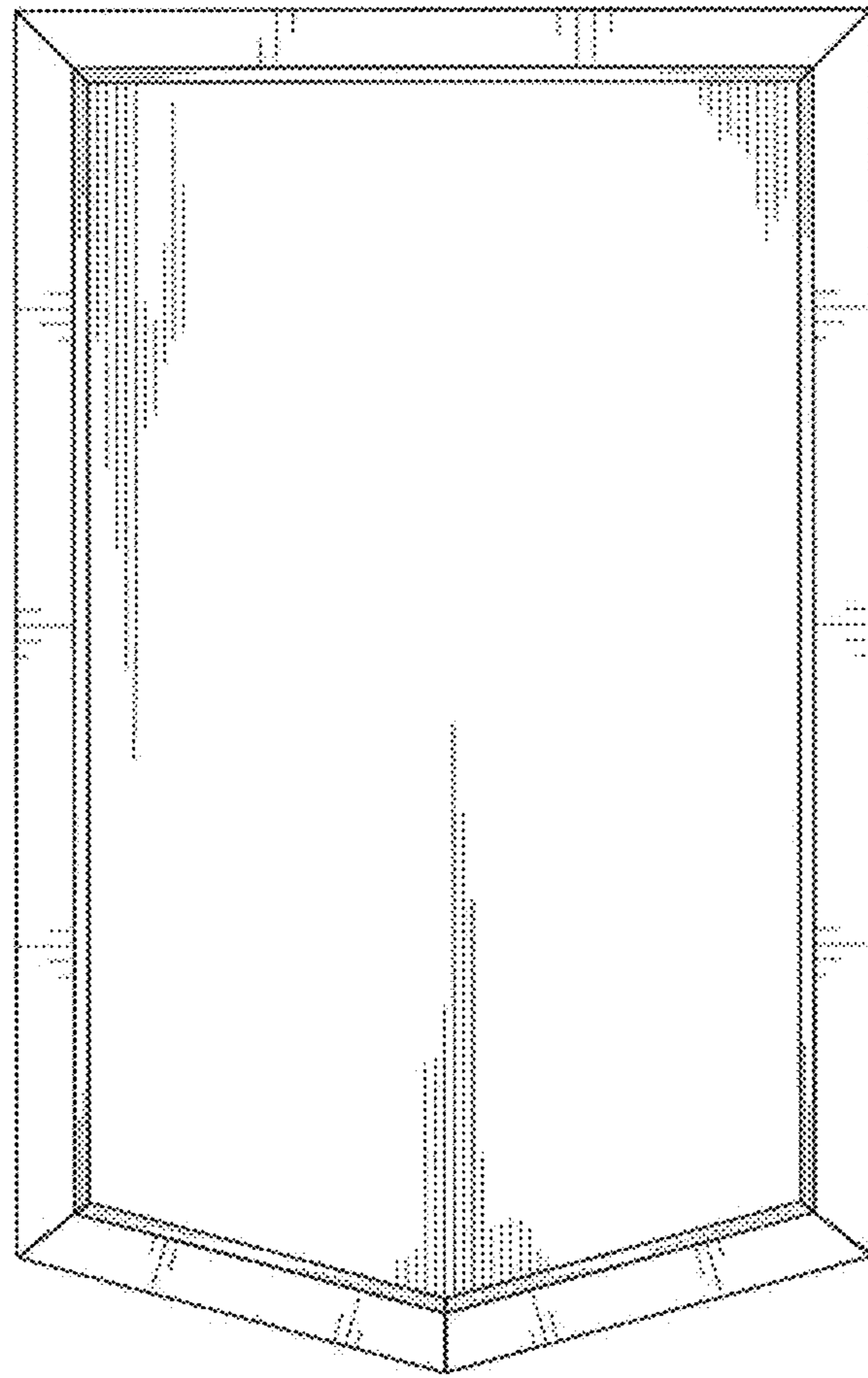


FIG. 8