



US00D816766S

(12) **United States Design Patent** (10) **Patent No.:** **US D816,766 S**  
**Chin et al.** (45) **Date of Patent:** **\*\* May 1, 2018**

(54) **PRINTER**  
(71) Applicant: **Hewlett-Packard Development Company, L.P.**, Houston, TX (US)  
(72) Inventors: **Chung Chiet Edwin Chin**, Singapore (SG); **Chun Long Goh**, Singapore (SG)  
(73) Assignee: **Hewlett-Packard Development Company, L.P.**, Houston, TX (US)  
(\*\*) Term: **15 Years**  
(21) Appl. No.: **29/552,543**  
(22) Filed: **Jan. 22, 2016**  
(51) **LOC (11) Cl.** ..... **18-02**  
(52) **U.S. Cl.**  
USPC ..... **D18/55**  
(58) **Field of Classification Search**  
USPC ..... D18/12, 14, 18, 19, 36, 37, 38, 39, 43, D18/50, 54, 54.1, 55, 56, 99; D14/420, D14/421, 422, 423, 424, 425, 462, 463, D14/464, 465, 466, 467, 668, 469, 470, D14/480.5, 483, 484  
CPC . B41J 31/16; B41J 32/02; B41J 19/202; B41J 29/377; B41J 3/4075; B41J 11/58; B41J 15/12; B41J 15/042; B41J 17/00; B41J 29/02; B41J 29/08  
See application file for complete search history.

D732,108 S \* 6/2015 Ryu ..... D18/14  
D737,895 S \* 9/2015 Nanno ..... D18/50  
D751,635 S \* 3/2016 Jung ..... D18/50  
D754,787 S \* 4/2016 Yoshioka ..... D18/50  
9,409,428 B2\* 8/2016 Shuto ..... B41J 25/304  
(Continued)

**OTHER PUBLICATIONS**

HP OfficeJet Pro 8720 All-in-One Printer, [online], [site visited Aug. 10, 2017]. Available from Internet, URL:<http://store.hp.com/us/en/pdp/hp-officejet-pro-8720-all-in-one-printer>.\*

*Primary Examiner* — Caron D Veynar  
*Assistant Examiner* — Katrina N Gonzalez  
(74) *Attorney, Agent, or Firm* — Morgan, Lewis & Bockius LLP

(57) **CLAIM**

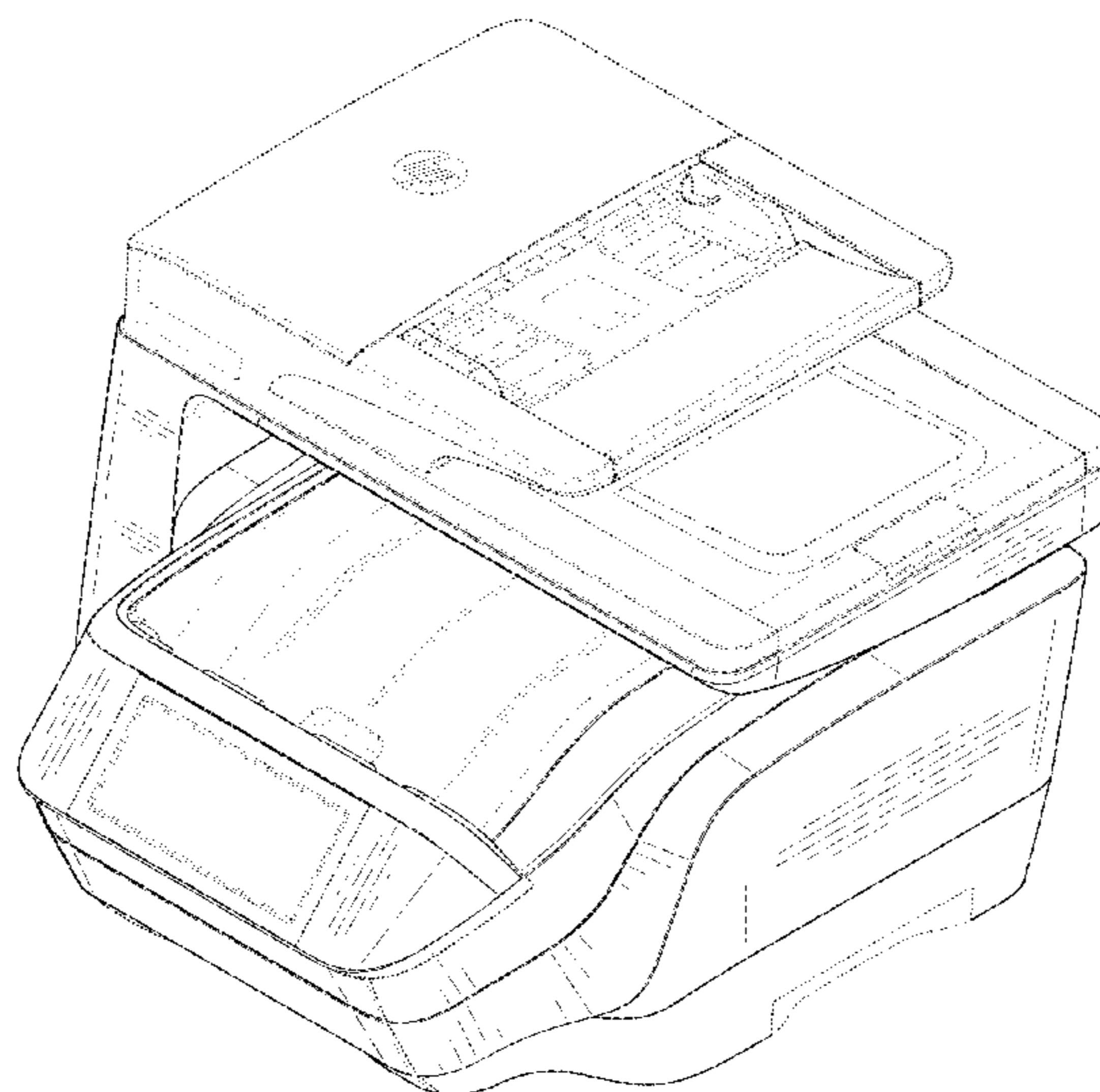
The ornamental design for a printer, as shown and described.

**DESCRIPTION**

FIG. 1 is a front, left, top, perspective view of a printer showing our new design;  
FIG. 2 is a front, right, top, perspective view of the printer shown in FIG. 1;  
FIG. 3 is a front elevational view of the printer shown in FIG. 1;  
FIG. 4 is a rear elevational view of the printer shown in FIG. 1;  
FIG. 5 is a left-side elevational view of the printer or shown in FIG. 1;  
FIG. 6 is a right-side elevational view of the printer shown in FIG. 1;  
FIG. 7 is a top plan view of the printer shown in FIG. 1; and, FIG. 8 is a bottom plan view of the printer shown in FIG. 1. The broken lines shown in the drawings represent portions of the printer that form no part of the claimed design.

**1 Claim, 8 Drawing Sheets**

(56) **References Cited**  
U.S. PATENT DOCUMENTS  
D544,907 S \* 6/2007 Tjin Wong Joe ..... D18/55  
D556,253 S \* 11/2007 Hong ..... D18/50  
D558,262 S \* 12/2007 Hong ..... D18/50  
D643,039 S \* 8/2011 Wilday ..... D14/422  
D667,051 S \* 9/2012 Sato ..... D18/50  
D682,834 S \* 5/2013 Ishikawa ..... D14/422  
D709,125 S \* 7/2014 Lim ..... D18/50  
D730,437 S \* 5/2015 Seki ..... D18/50



(56)

**References Cited**

U.S. PATENT DOCUMENTS

D767,570 S *	9/2016	Ishida .....	D14/425
D777,248 S *	1/2017	Oguchi .....	D18/50
D781,955 S *	3/2017	Kim .....	D18/50
9,724,934 B2 *	8/2017	Shuto .....	B41J 3/36

\* cited by examiner

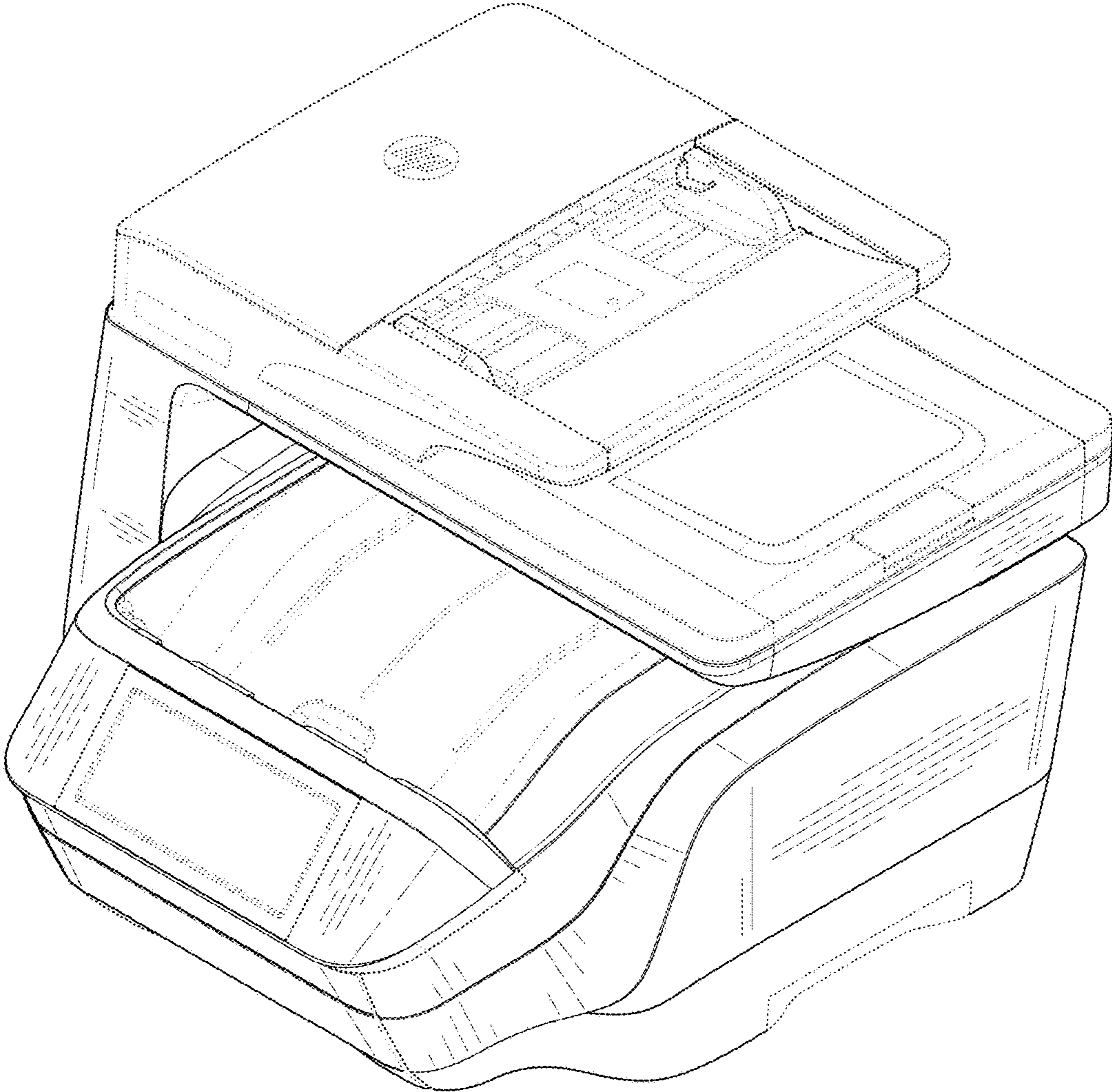


FIG. 1

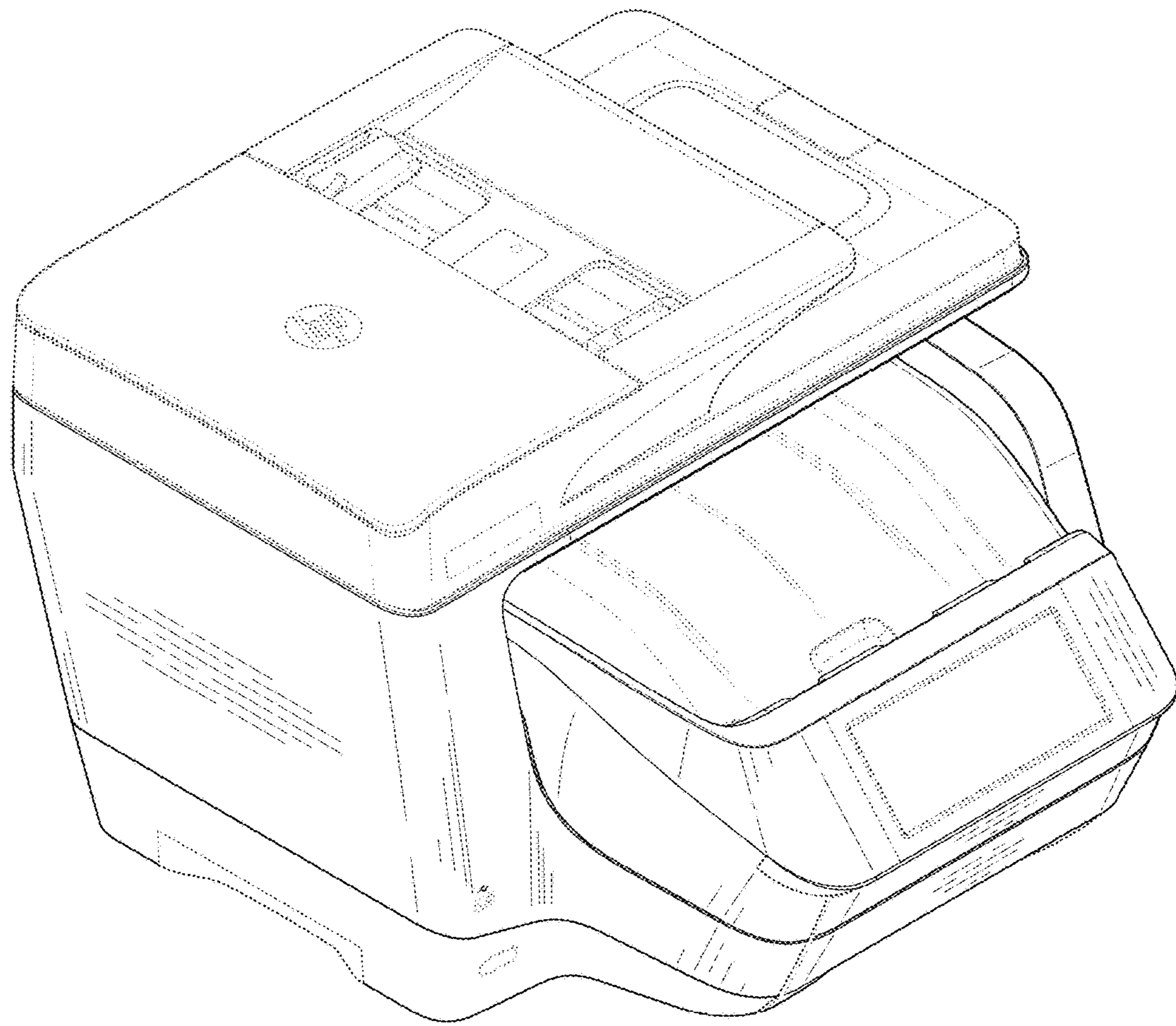


FIG. 2

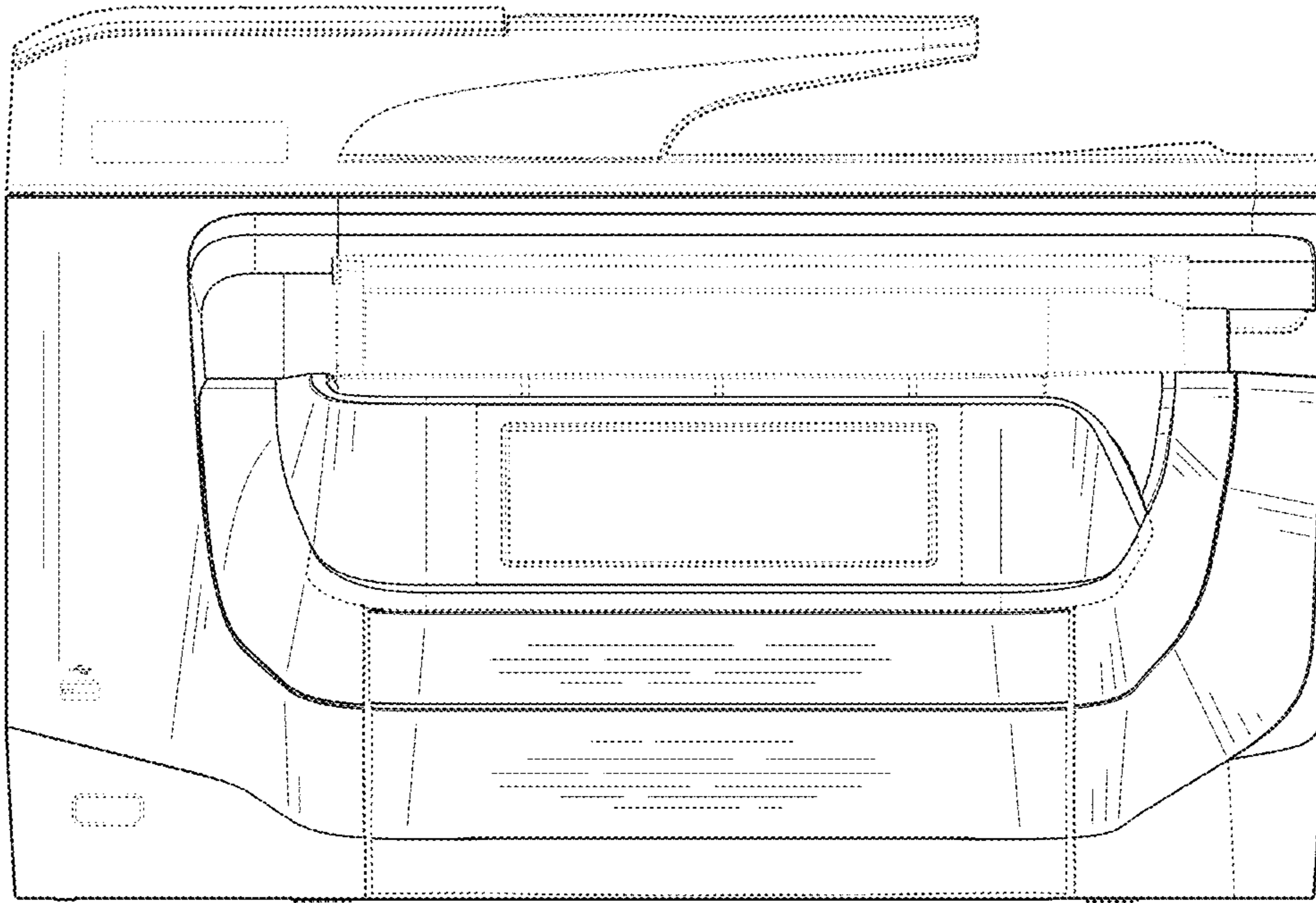


FIG. 3

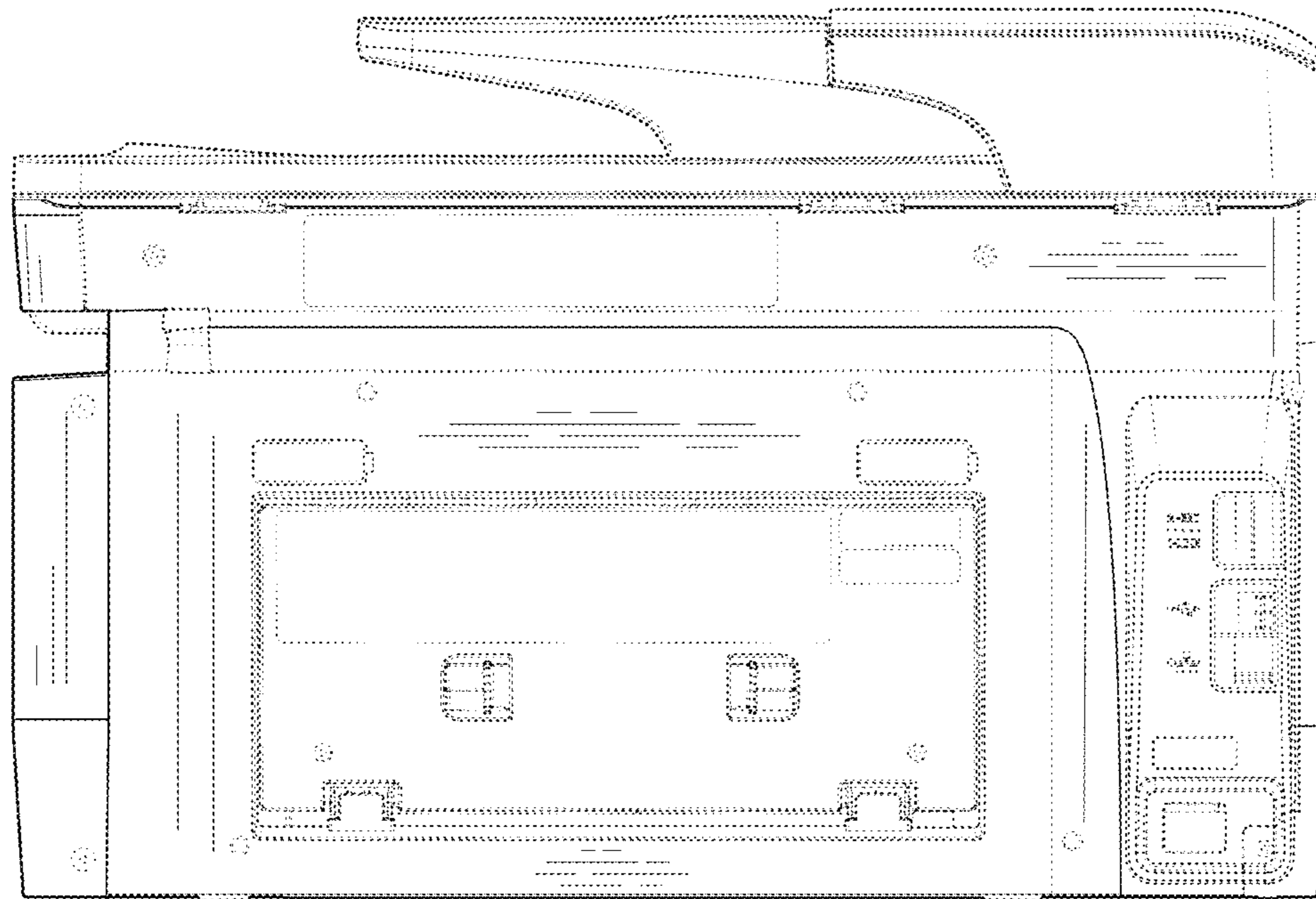


FIG. 4

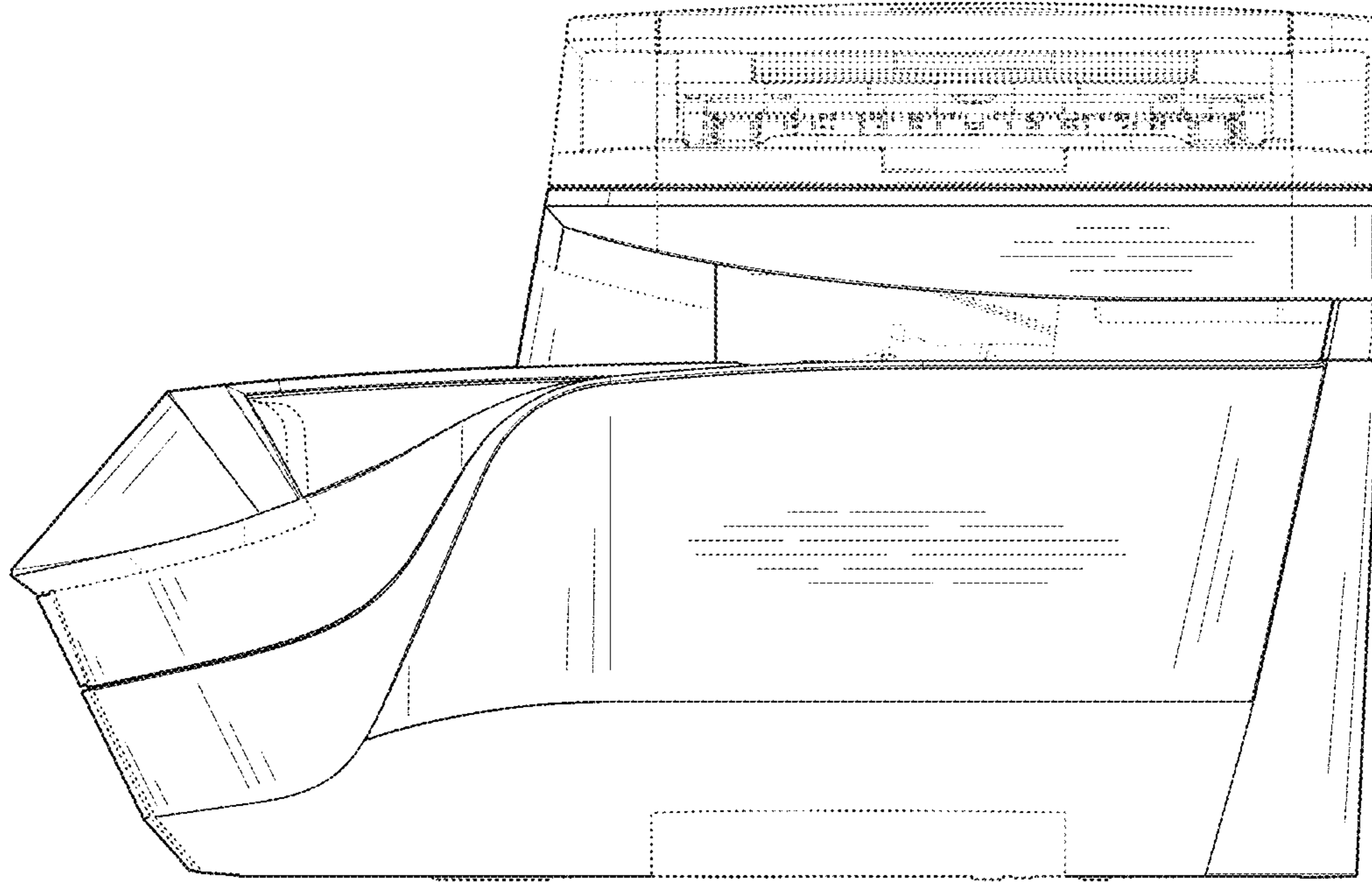


FIG. 5

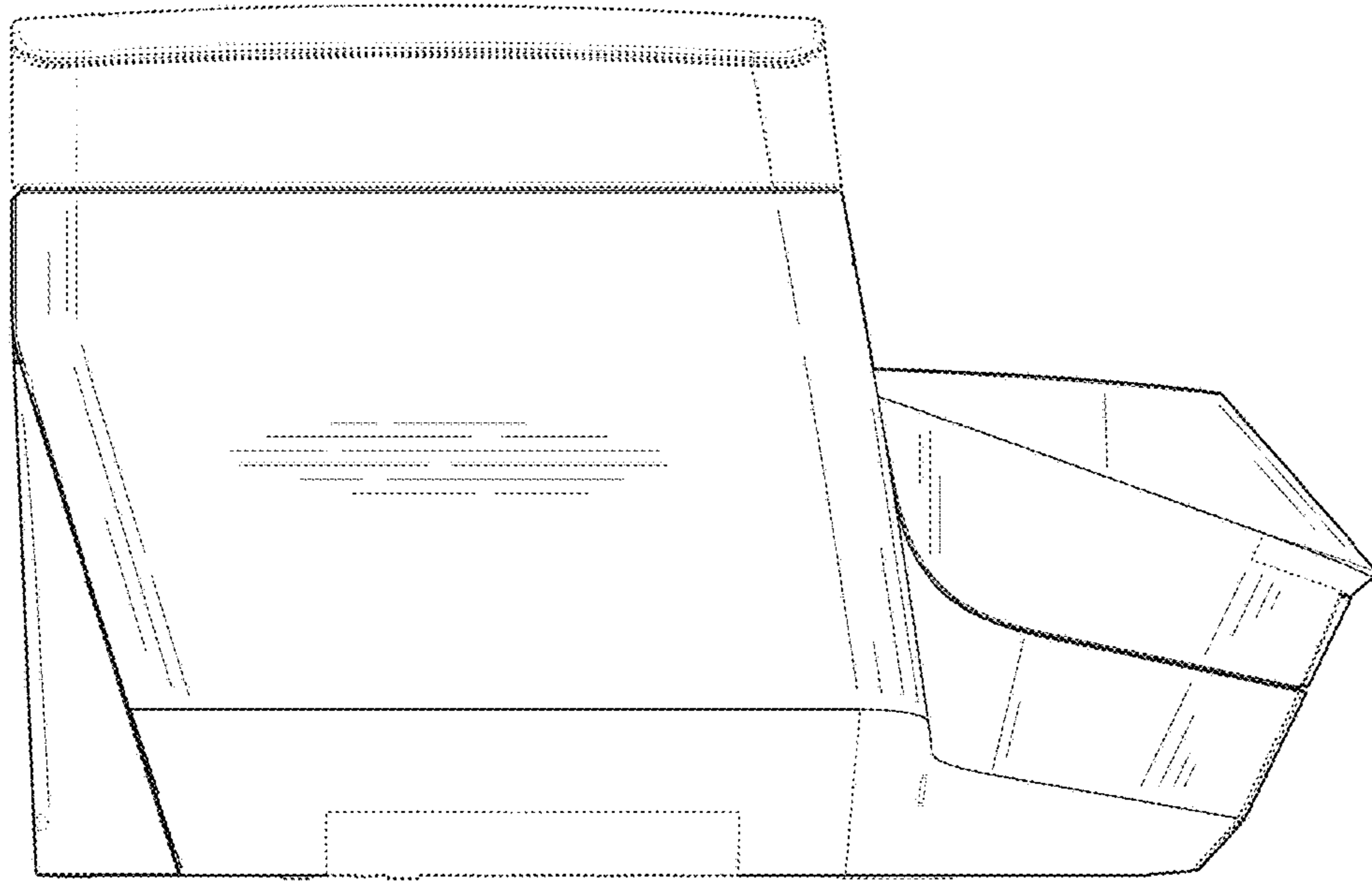


FIG. 6



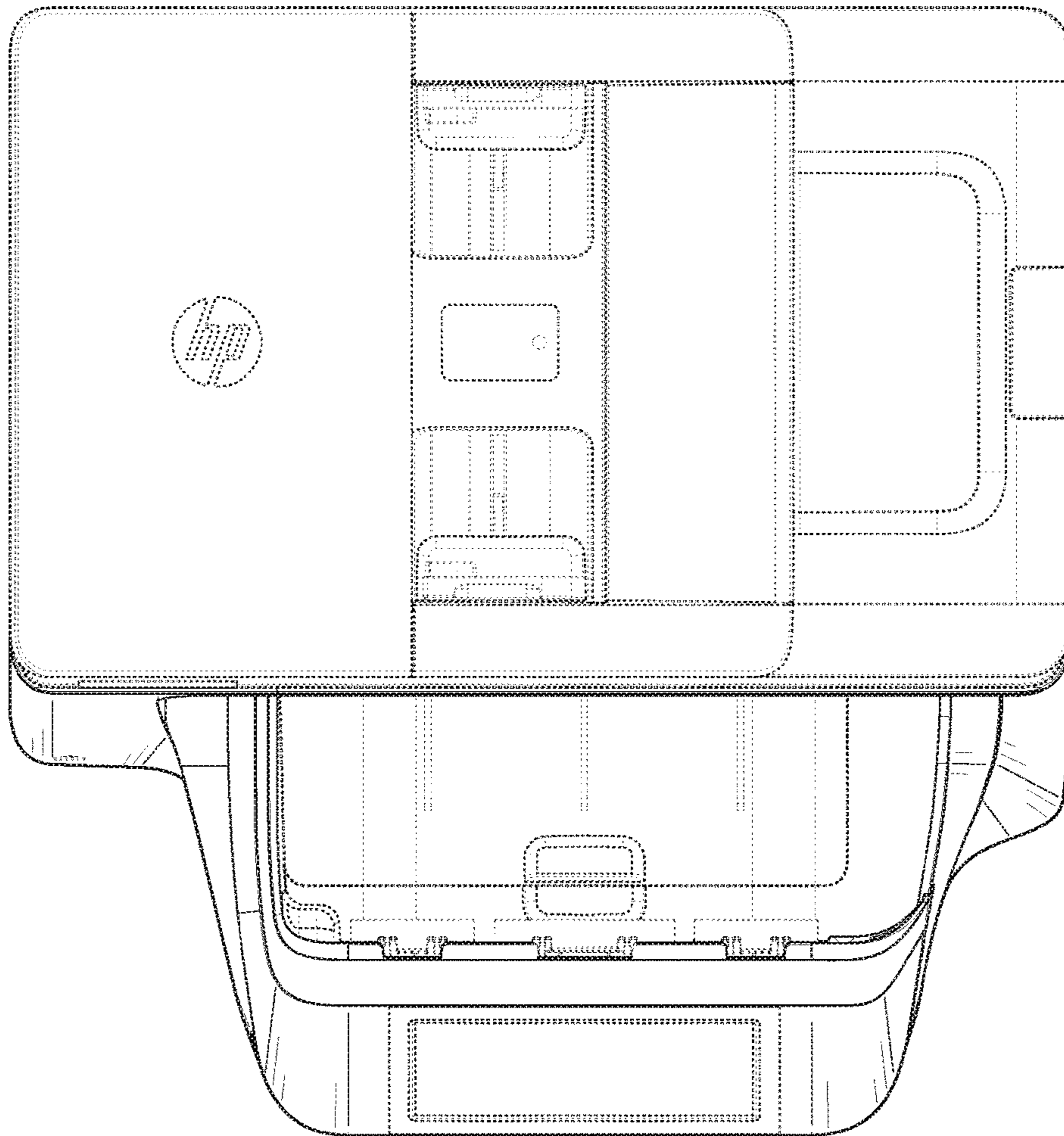


FIG. 7

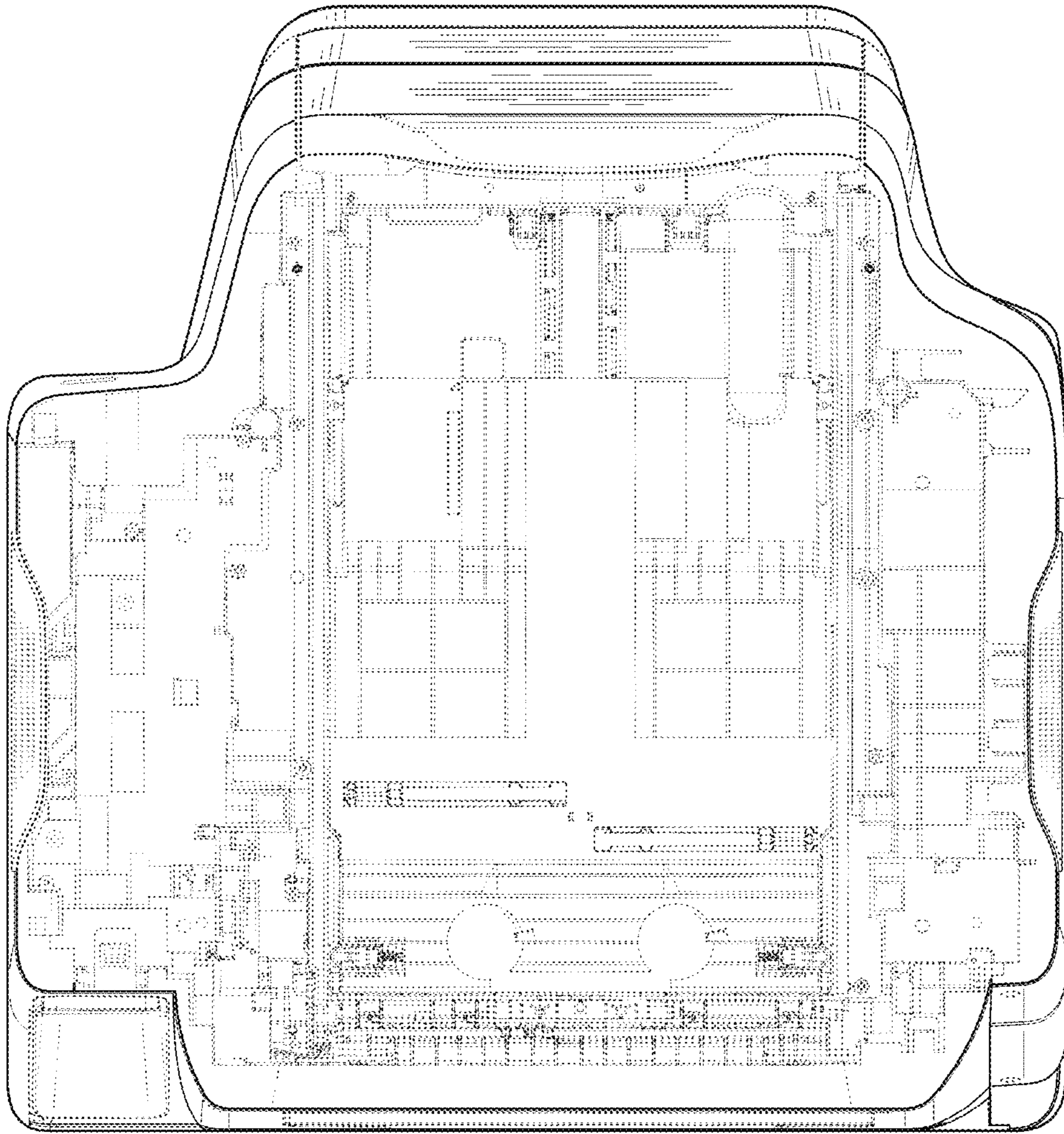


FIG. 8