



US00D816760S

(12) **United States Design Patent** (10) **Patent No.:** **US D816,760 S**
Zheng et al. (45) **Date of Patent:** **** May 1, 2018**

- | | | | | |
|---|----------------|---------|------------------|--------------------------|
| (54) STAND | D366,887 S * | 2/1996 | Wood | D16/242 |
| | D394,265 S | 5/1998 | Loo et al. | |
| (71) Applicant: SZ DJI Osmo Technology Co., Ltd.,
Shenzhen (CN) | D403,573 S | 1/1999 | Garvey, III | |
| | D525,642 S * | 7/2006 | Yamaguchi | D16/245 |
| | 7,241,060 B2 * | 7/2007 | Mootz | G03B 17/561
248/187.1 |
| (72) Inventors: Haibin Zheng, Shenzhen (CN); Min Kim, Shenzhen (CN) | D588,903 S | 3/2009 | Carnevali | |
| | D595,565 S | 7/2009 | Robertson et al. | |
| | 7,712,720 B1 | 5/2010 | Cheng et al. | |
| (73) Assignee: SZ DJI Osmo Technology Co., Ltd.,
Shenzhen (CN) | D616,913 S * | 6/2010 | Lee | D16/245 |
| | D649,865 S | 12/2011 | English et al. | |
| | D664,952 S * | 8/2012 | Richter | D14/253 |
| | D687,879 S | 8/2013 | Greenthal | |
| (**) Term: 15 Years | D707,283 S | 6/2014 | Zhang et al. | |
| | D707,547 S | 7/2014 | Greenthal | |
| (21) Appl. No.: 29/578,550 | D709,547 S * | 7/2014 | Greenthal | D16/245 |
| | D745,374 S | 12/2015 | Liu | |
| (22) Filed: Sep. 22, 2016 | D754,233 S | 4/2016 | Du et al. | |
| | D772,326 S * | 11/2016 | Zheng | D16/244 |

(Continued)

Related U.S. Application Data

- (63) Continuation of application No. 29/540,664, filed on Sep. 25, 2015, now Pat. No. Des. 772,326.
- (51) **LOC (11) Cl.** **16-05**
- (52) **U.S. Cl.**
USPC **D16/244**
- (58) **Field of Classification Search**
USPC D14/242-245, 237, 415, 452, 434, 238,
D14/239, 253, 447, 209.1, 451;
D6/310-314; D16/242, 243, 244, 245;
D26/142
CPC G03B 17/56; G03B 17/561; G03B 17/566;
G03B 15/006; G03B 17/563
See application file for complete search history.

(56) **References Cited**

U.S. PATENT DOCUMENTS

- | | | | |
|--------------|--------|------------------|---------|
| D191,105 S | 8/1961 | Lindenmeyer | |
| D221,634 S * | 8/1971 | Bradspies | D16/245 |
| D221,693 S | 8/1971 | Bradspies et al. | |
| D221,900 S | 9/1971 | Samuelson et al. | |
| 5,137,238 A | 8/1992 | Hutten | |

Primary Examiner — Susan Bennett Hattan

Assistant Examiner — Brett Miller

(74) *Attorney, Agent, or Firm* — Sterne, Kessler, Goldstein & Fox P.L.L.C.

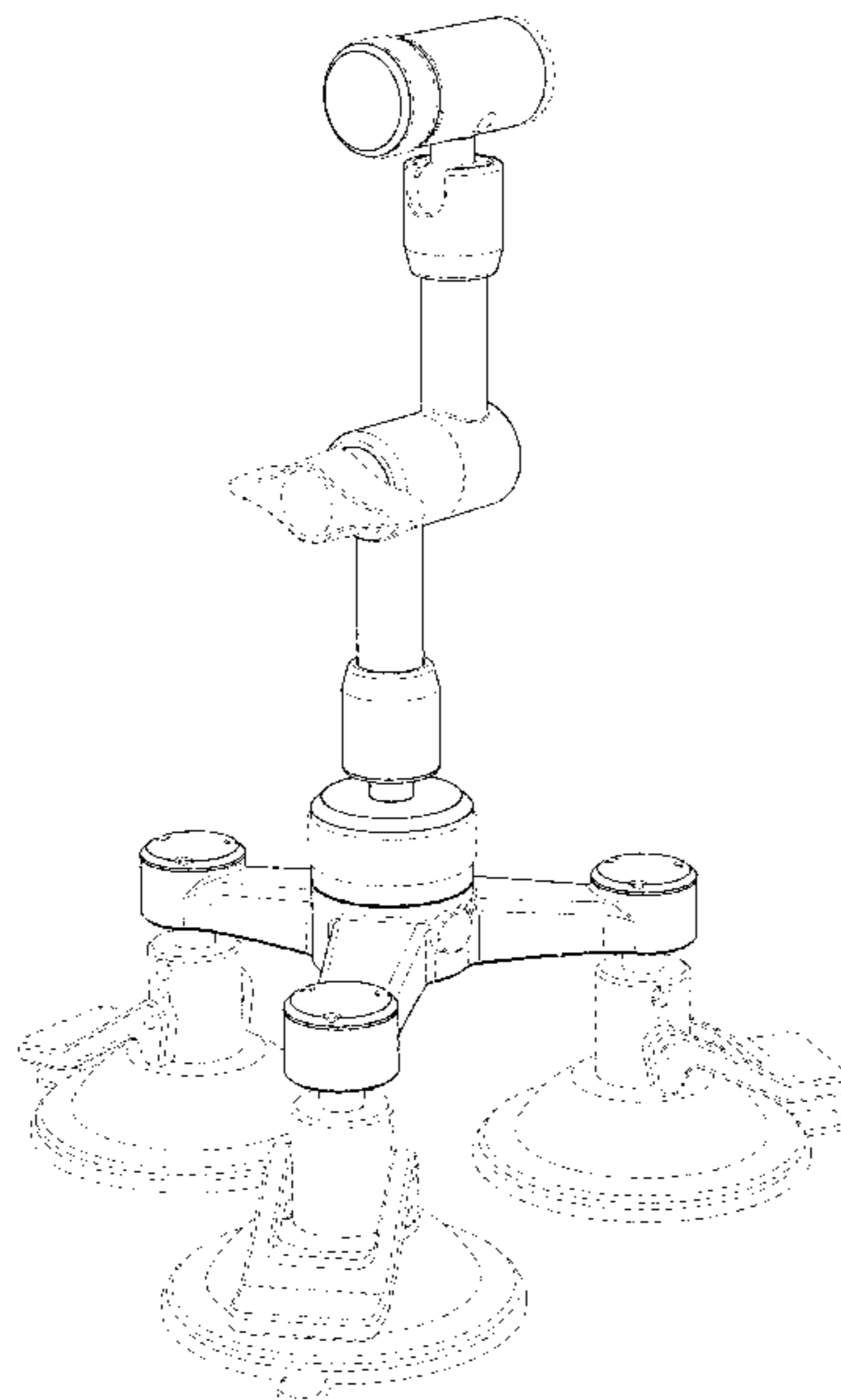
(57) **CLAIM**

The ornamental design for a stand, as shown and described.

DESCRIPTION

FIG. 1 is a top front perspective view of a stand showing the claimed design;
 FIG. 2 is a bottom rear perspective view thereof;
 FIG. 3 is a rear view thereof;
 FIG. 4 is a front view thereof;
 FIG. 5 is a right side view thereof;
 FIG. 6 is a left side view thereof;
 FIG. 7 is a top view thereof; and,
 FIG. 8 is a bottom view thereof.
 The broken lines in the figures show portions of the stand that form no part of the claimed design.

1 Claim, 8 Drawing Sheets



(56)

References Cited

U.S. PATENT DOCUMENTS

D783,079 S * 4/2017 Lee D16/242
2005/0265711 A1* 12/2005 Heibel G03B 17/561
396/419
2006/0255218 A1 11/2006 Hsiung
2007/0278373 A1 12/2007 Wang
2009/0230262 A1 9/2009 Chiu
2010/0042111 A1 2/2010 Qureshi et al.
2010/0224745 A1 9/2010 Orlov et al.
2015/0248048 A1 9/2015 Jung
2017/0037995 A1* 2/2017 Pan G03B 17/561
2017/0174362 A1* 6/2017 Zhao G03B 17/561
2017/0307136 A1* 10/2017 Wei G03B 17/561

* cited by examiner

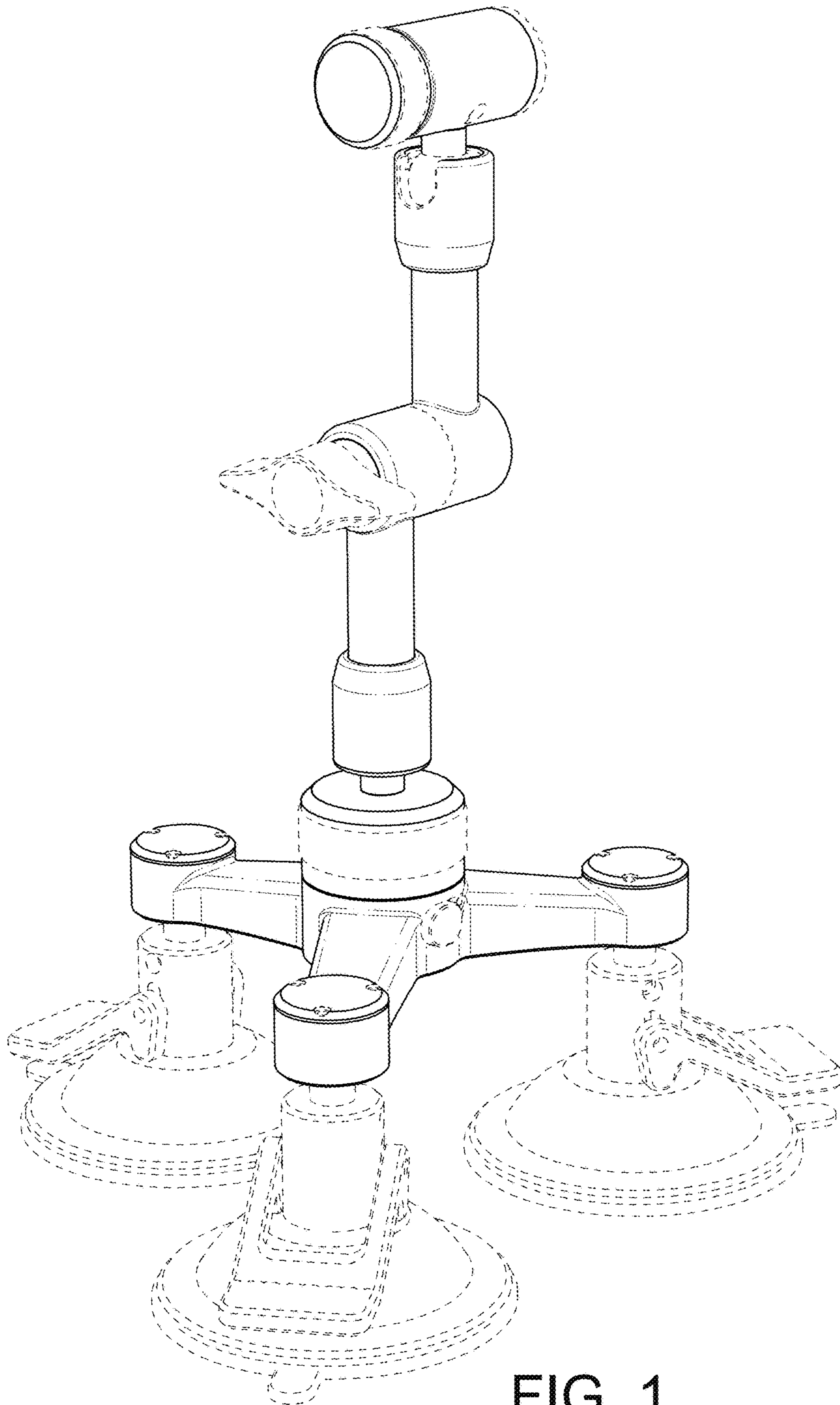


FIG. 1

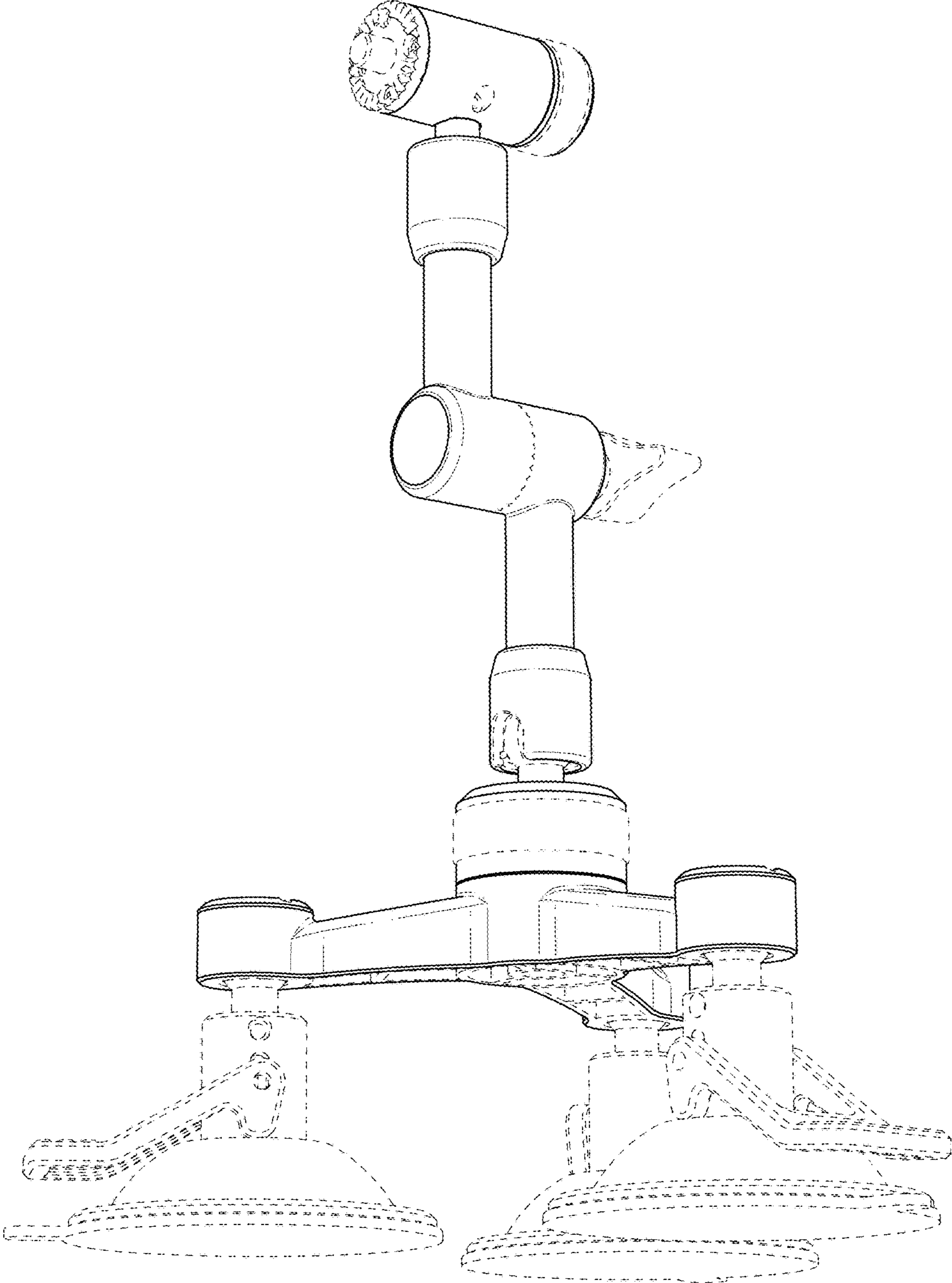


FIG. 2

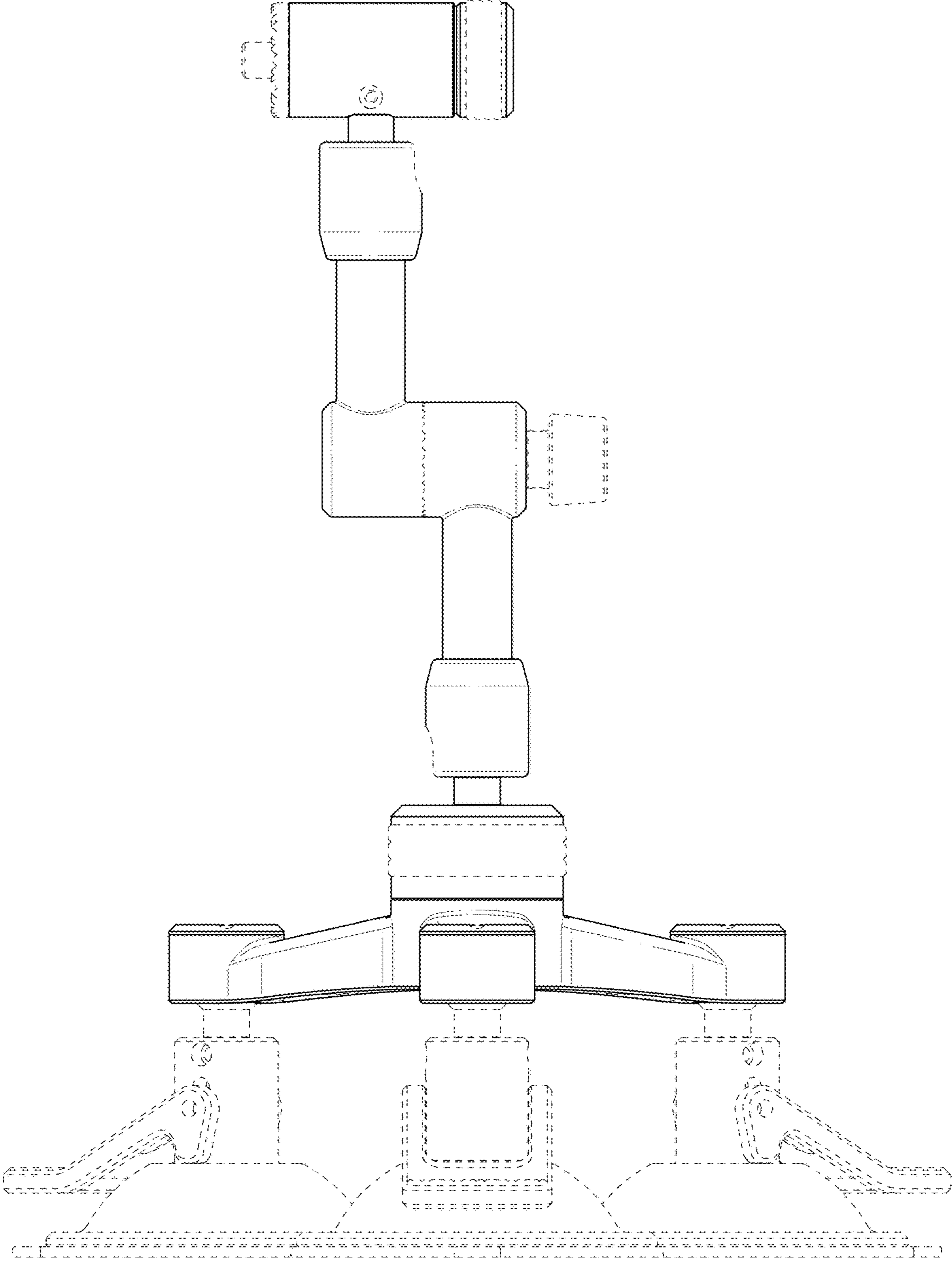


FIG. 3

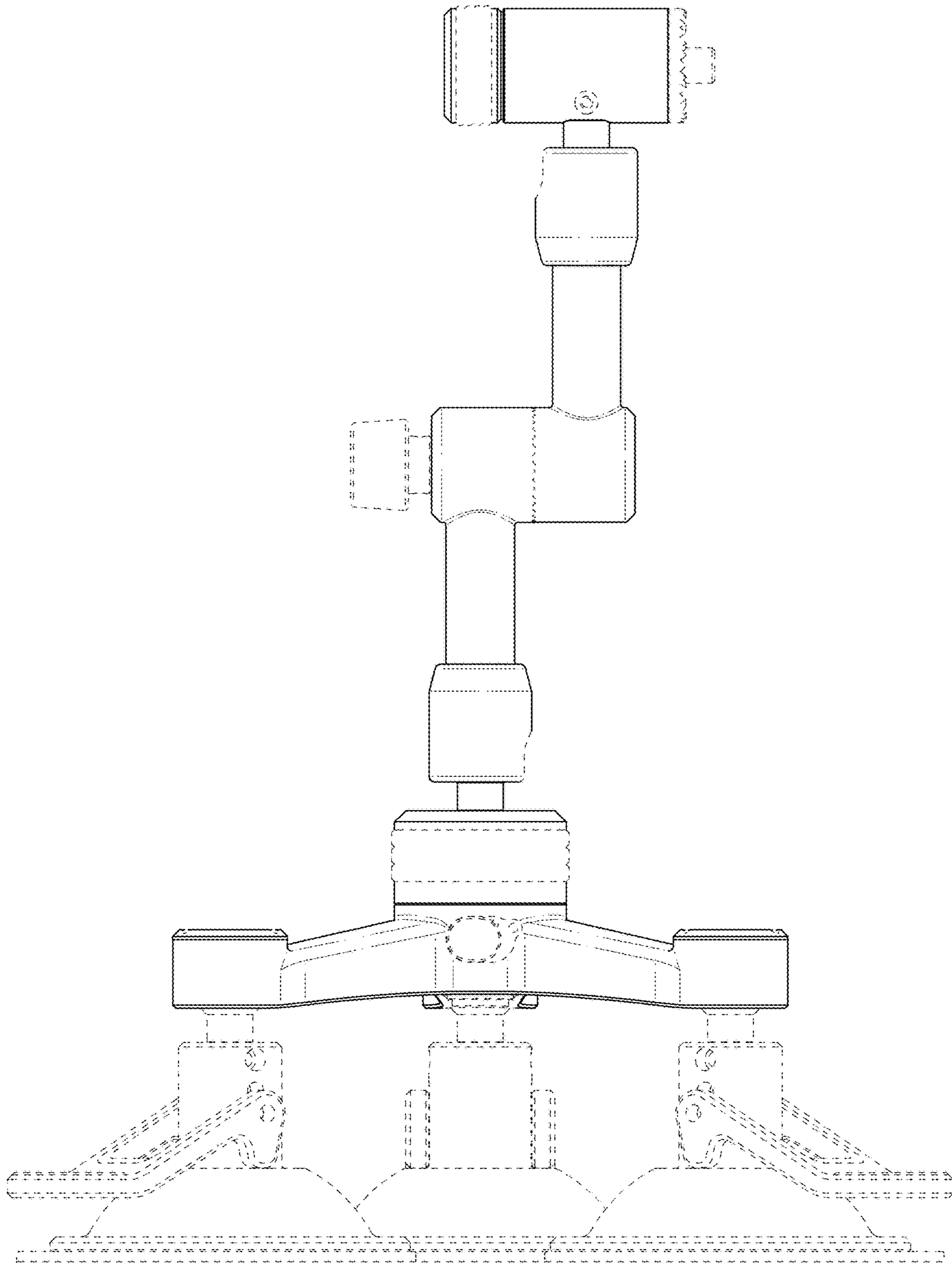


FIG. 4

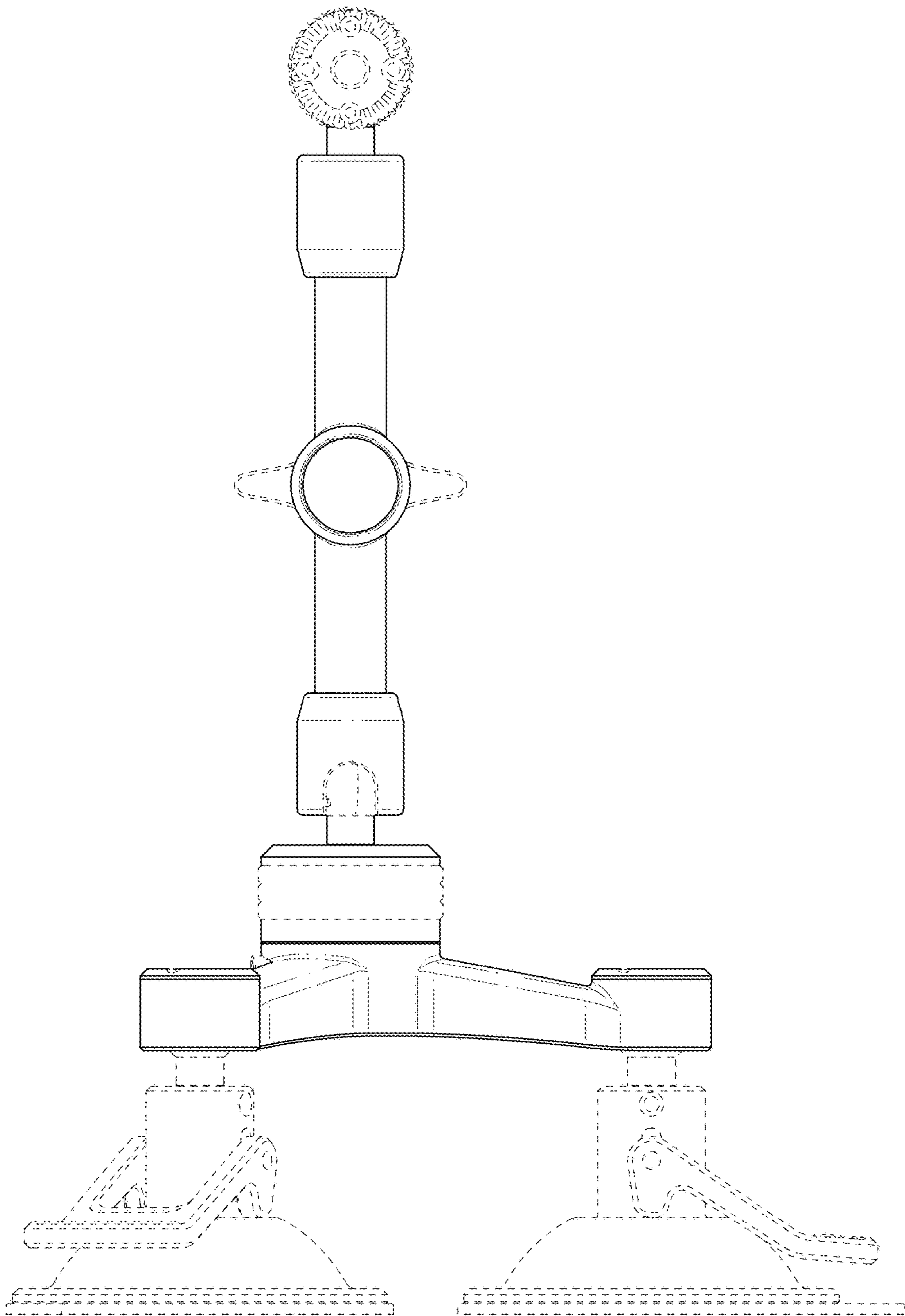


FIG. 5

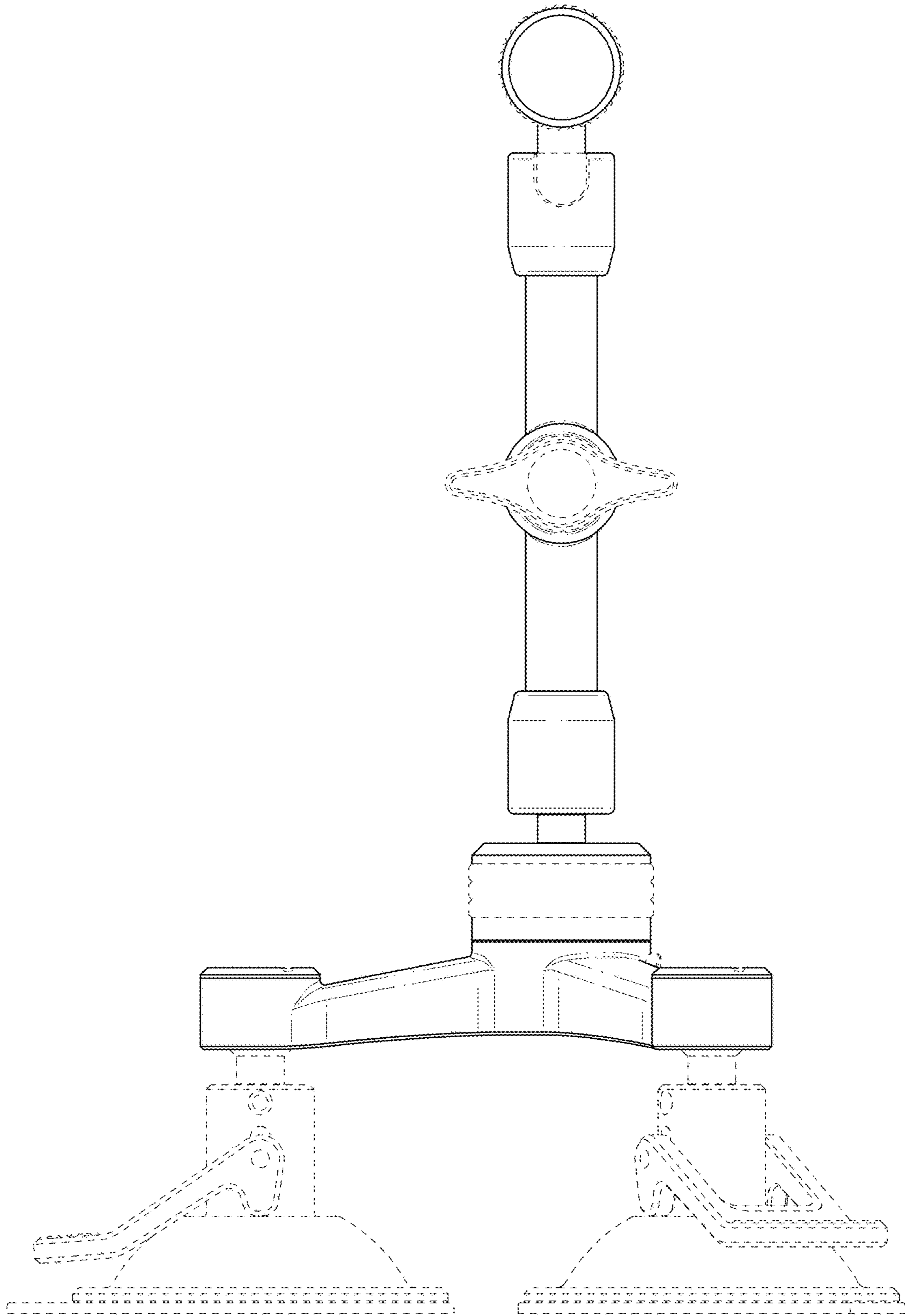


FIG. 6

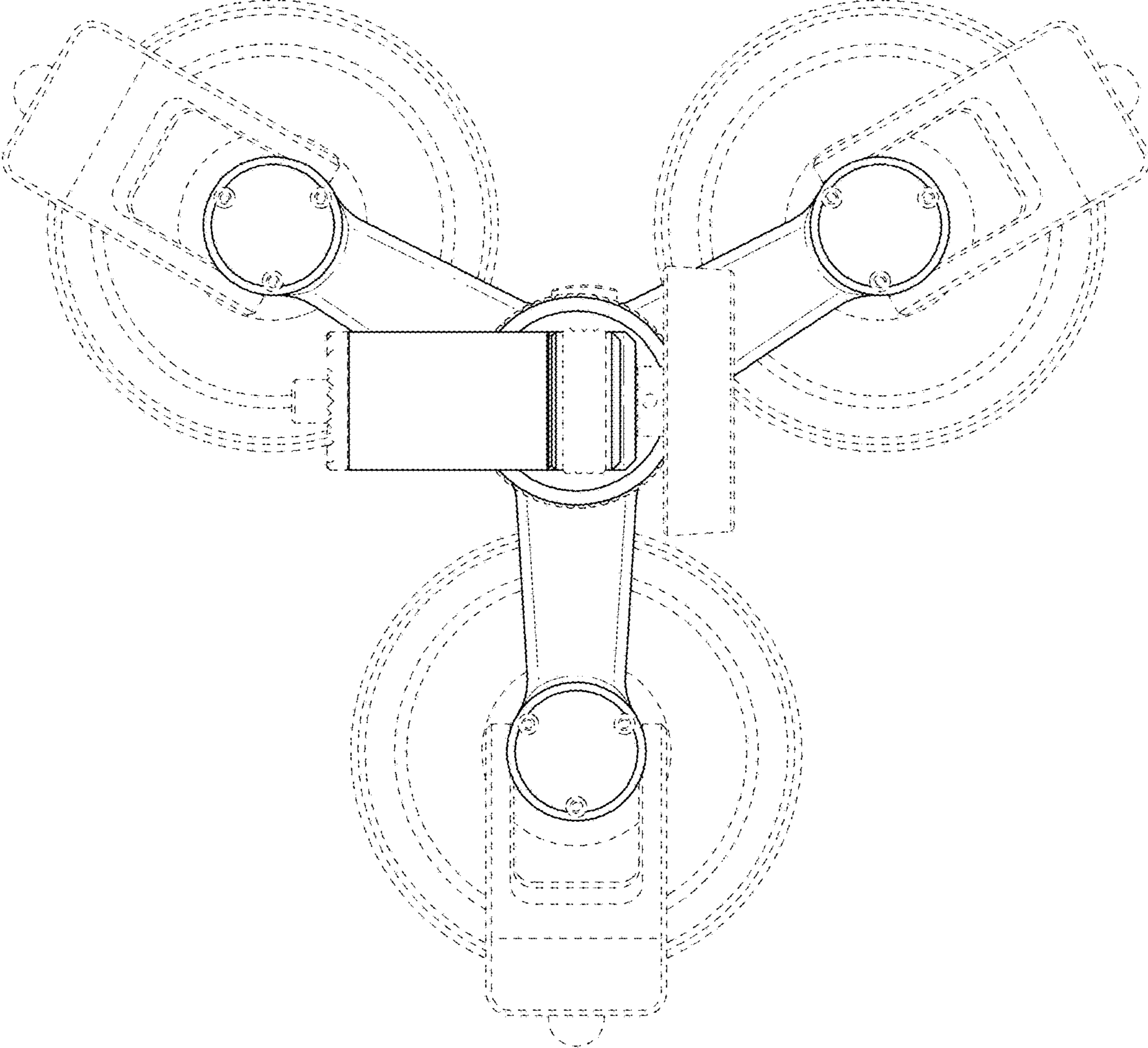


FIG. 7

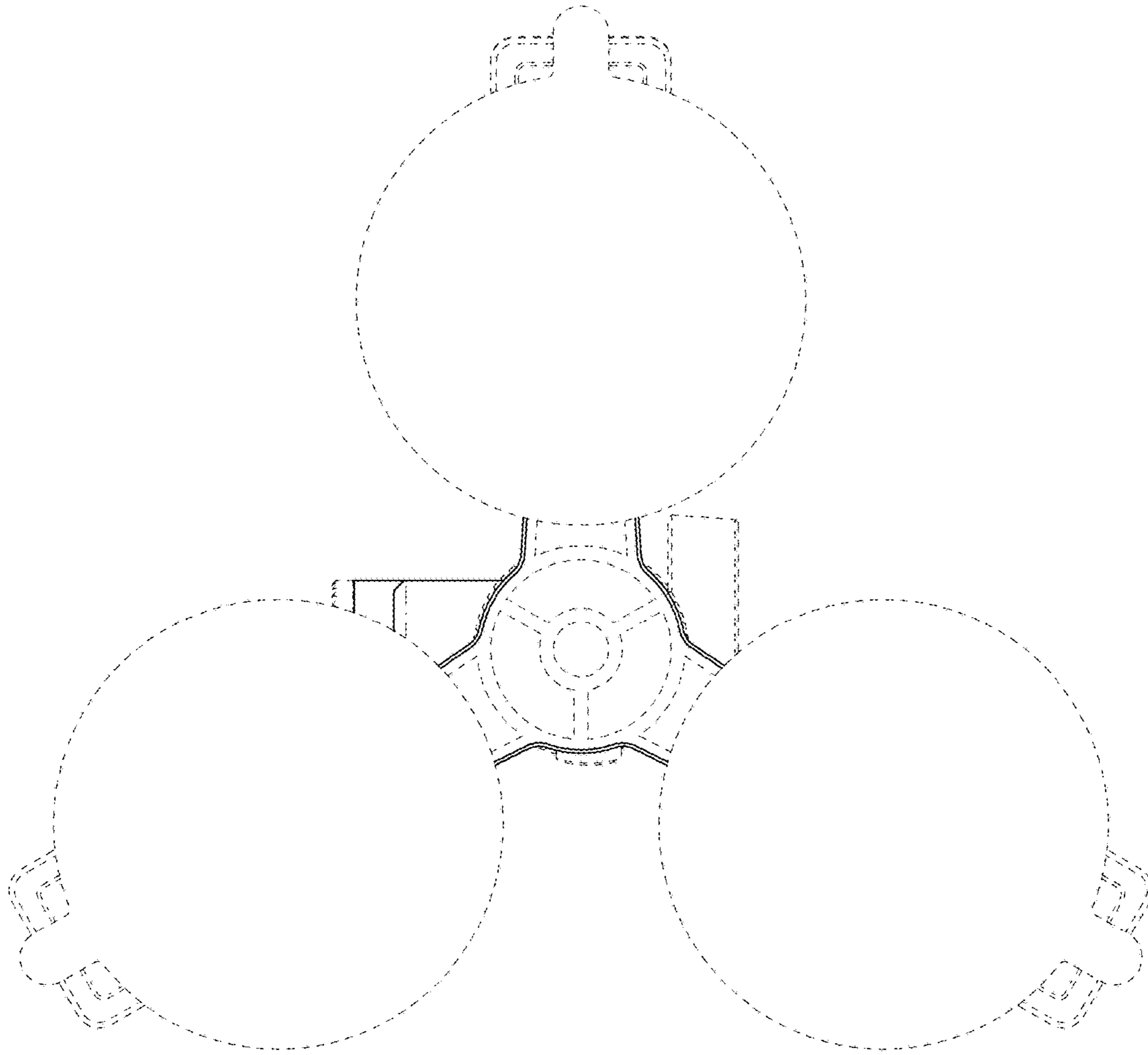


FIG. 8