



US00D816758S

(12) **United States Design Patent** (10) **Patent No.:** **US D816,758 S**  
**Martin et al.** (45) **Date of Patent:** **\*\* May 1, 2018**

(54) **THUMB SCREW FOR ACCESSORY DEVICES FOR A PORTABLE CAMERA**

(71) Applicant: **OCU, LLC**, Tempe, AZ (US)

(72) Inventors: **Hugo Martin**, Oxfordshire (GB);  
**Robert William Moore**, Theale (GB);  
**Firas Kittaneh**, Tempe, AZ (US)

(73) Assignee: **OCU LIMITED**, East Grinstead (GB)

(\*\*) Term: **15 Years**

(21) Appl. No.: **29/551,185**

(22) Filed: **Jan. 11, 2016**

(51) **LOC (11) Cl.** ..... **16-05**

(52) **U.S. Cl.**

USPC ..... **D16/237**

(58) **Field of Classification Search**

USPC ..... D16/200, 204, 208, 213–219, 235,  
D16/237–250; D14/217, 229, 250–253;  
D8/300, 313, 321, 349, 382, 387, 394,  
D8/397

CPC ..... G03B 17/02–17/04; G03B 17/14; G03B  
17/56; G03B 17/561–17/568; G03B  
21/20; G02B 7/00–7/002; F16M 11/02;  
F16M 11/04; F16M 11/20; F16M 11/40

See application file for complete search history.

(56) **References Cited**

**U.S. PATENT DOCUMENTS**

2,171,361	A *	8/1939	Gits	.....	F16D 1/06 16/422
D472,797	S *	4/2003	Ellis	.....	D8/387
D480,950	S *	10/2003	Ellis	.....	D8/382
D551,954	S *	10/2007	Tan	.....	D8/387
D631,905	S *	2/2011	Sandell	.....	D16/245
D698,221	S *	1/2014	Condon	.....	D8/300
D704,245	S *	5/2014	Kim	.....	D16/237
D765,647	S *	9/2016	Lee	.....	D14/253
D771,247	S *	11/2016	Shinohara	.....	D24/130
9,482,930	B1 *	11/2016	Ritch	.....	G03B 17/561

**OTHER PUBLICATIONS**

Tripod Mount + Thumb Screw. [online] Published date unknown. Retrieved on Jun. 14, 2017 from <URL: <http://www.gitup.com/mounts/35-tripod-mount-thumb-screw.html>>.\*

New Top Quality Long Plastic Knob Thumb Screw. [online] Published date unknown. Retrieved on Jun. 14, 2017 from <URL: <http://www.dhgate.com/product/new-top-quality-long-plastic-knob-thumb-screw/395508267.html>>.\*

Go Pro HD accesorios. [online] Published date unknown. Retrieved on Jun. 14, 2017 from <URL: <https://es.aliexpress.com/item/Go-Pro-HD-accessories-CNC-Thumb-Knob-Stainless-Bolt-Screw-long-BK-for-GoPro-Hero-3/32803878356.html?spm=2114.43010708.4.11.QeT9UB>>.\*

Hold it. Wear it. Own it. [online] Published date unknown. Retrieved on Jun. 16, 2017 from <URL: <https://productdesignaward.eu/winners/winner.php?id=8563&count=0&mode=>>>.\*

\* cited by examiner

*Primary Examiner* — Vy N Koenig

*Assistant Examiner* — Omeed Agilee

(74) *Attorney, Agent, or Firm* — Weiss & Moy, P.C.;  
Jeffrey D. Moy

(57) **CLAIM**

The ornamental design for a thumb screw for accessory devices for a portable camera, as shown and described.

**DESCRIPTION**

FIG. 1 is a front, right and top perspective view of a thumb screw for accessory devices for a portable camera showing our new design;

FIG. 2 is a front elevational view thereof;

FIG. 3 is a rear elevational view thereof;

FIG. 4 is a right side elevational view thereof;

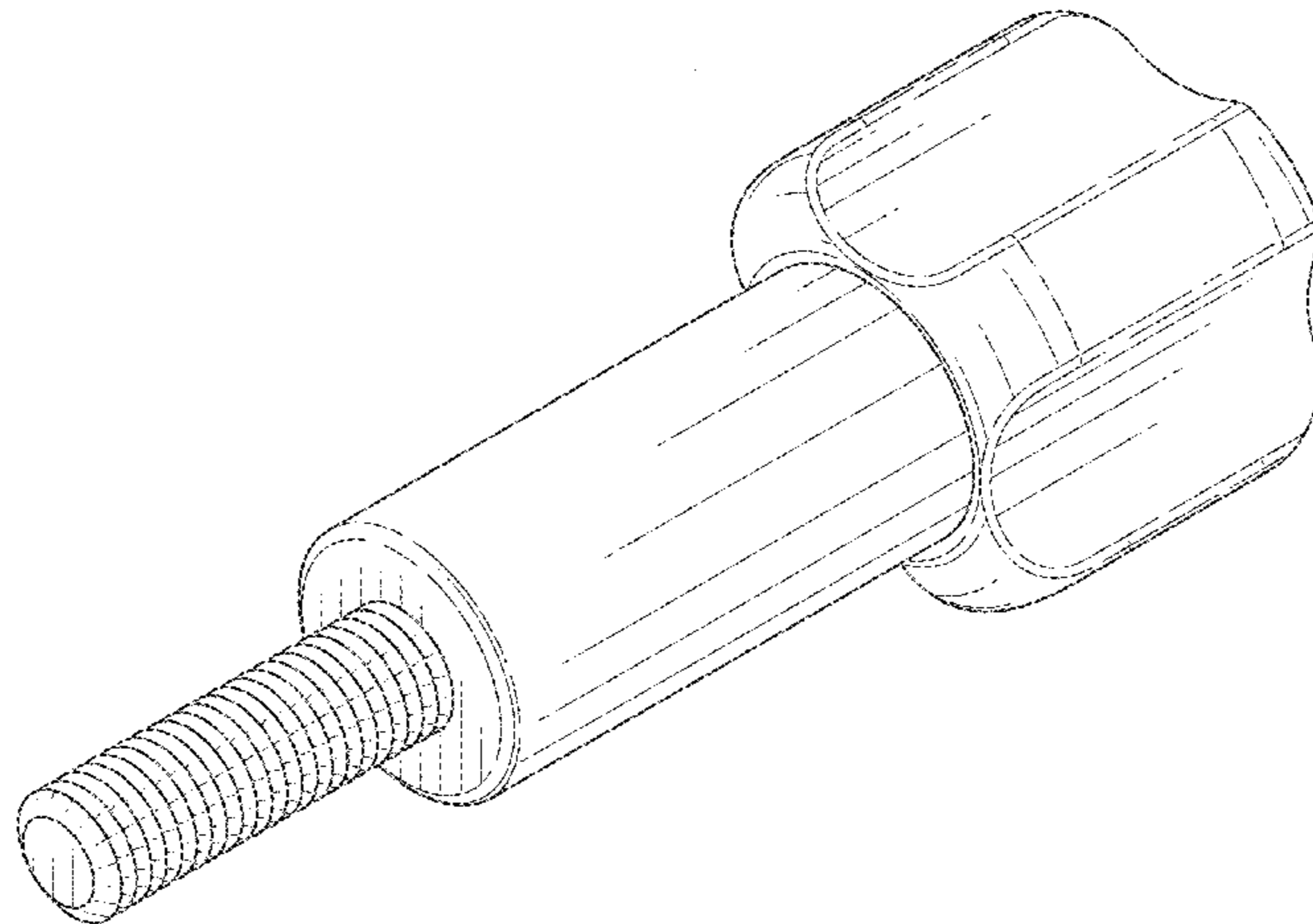
FIG. 5 is a left side elevational view thereof;

FIG. 6 is a top plan view thereof; and,

FIG. 7 is a bottom plan view thereof.

The broken lines in the drawings depict portions of a thumb screw for accessory devices for a portable camera that form no part of the claimed design.

**1 Claim, 7 Drawing Sheets**



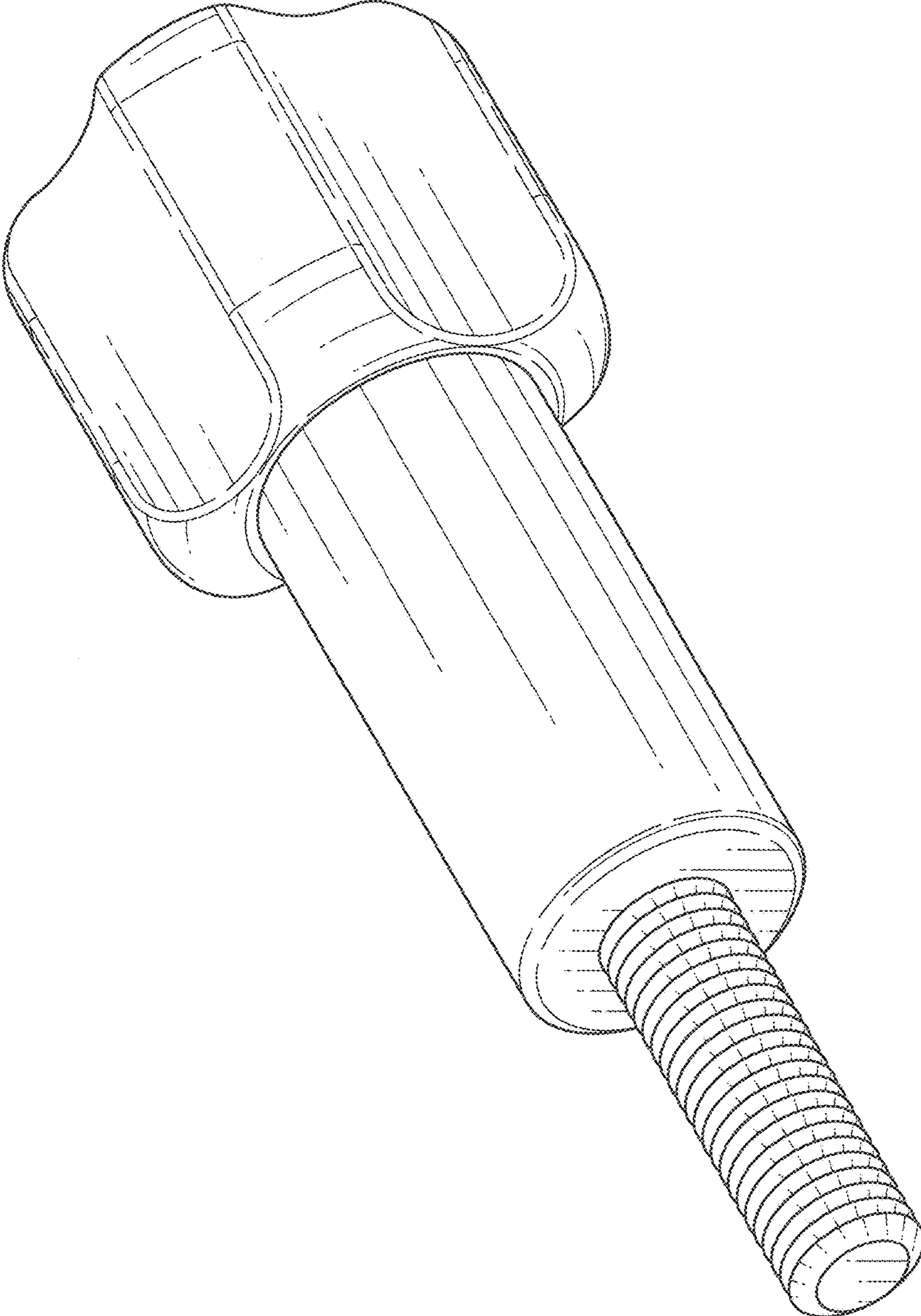


FIG. 1

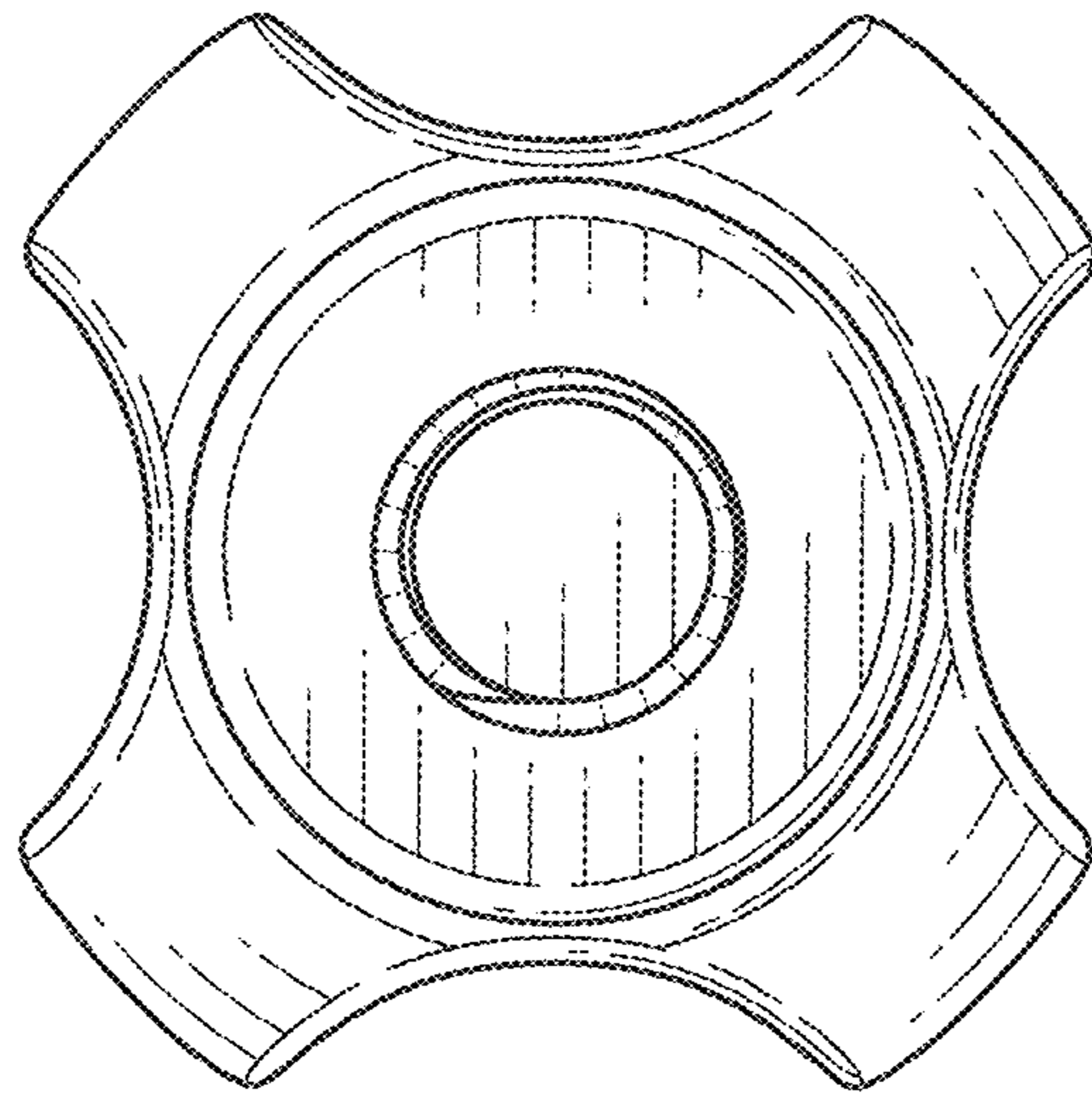


FIG. 2

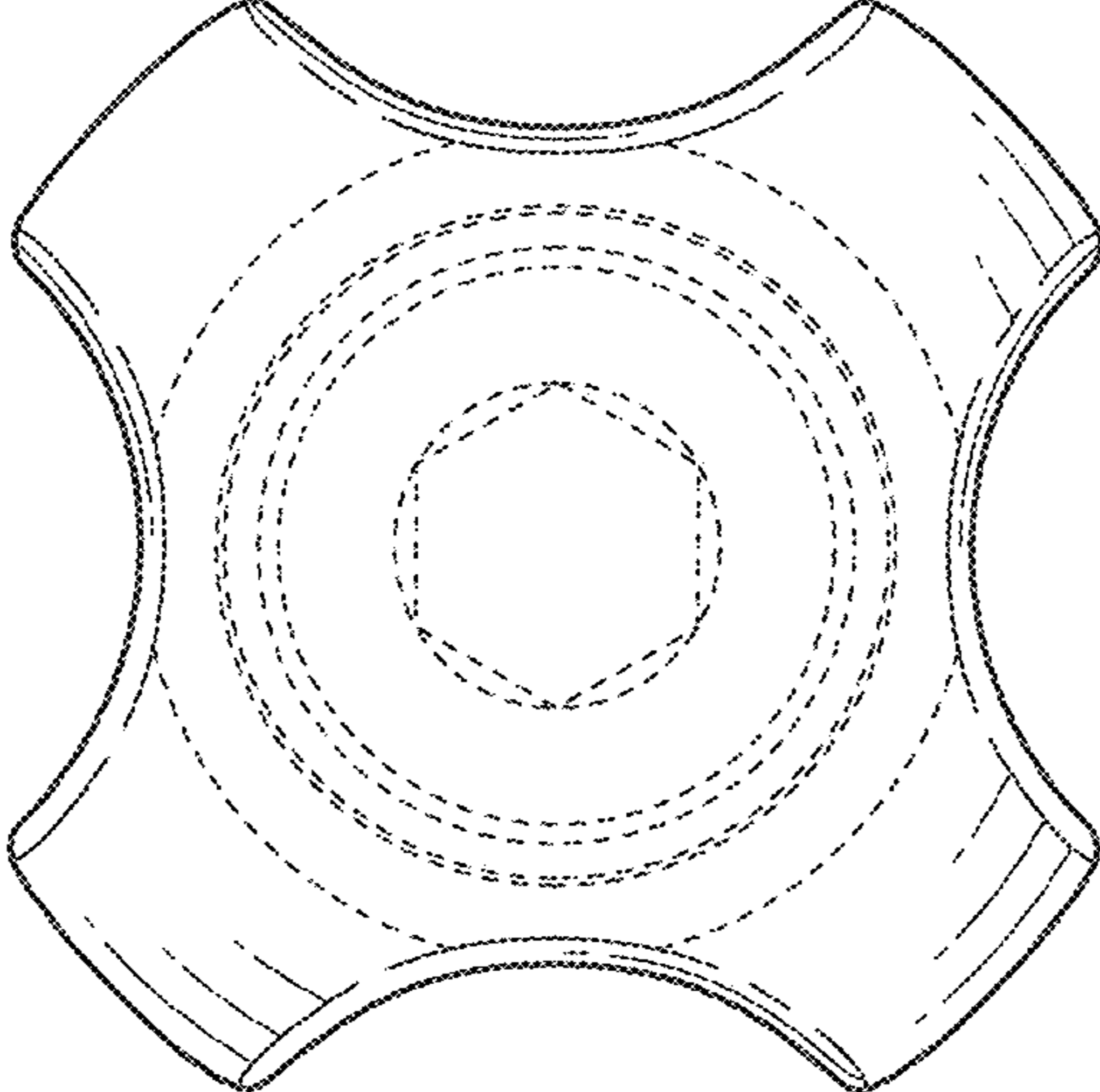


FIG. 3



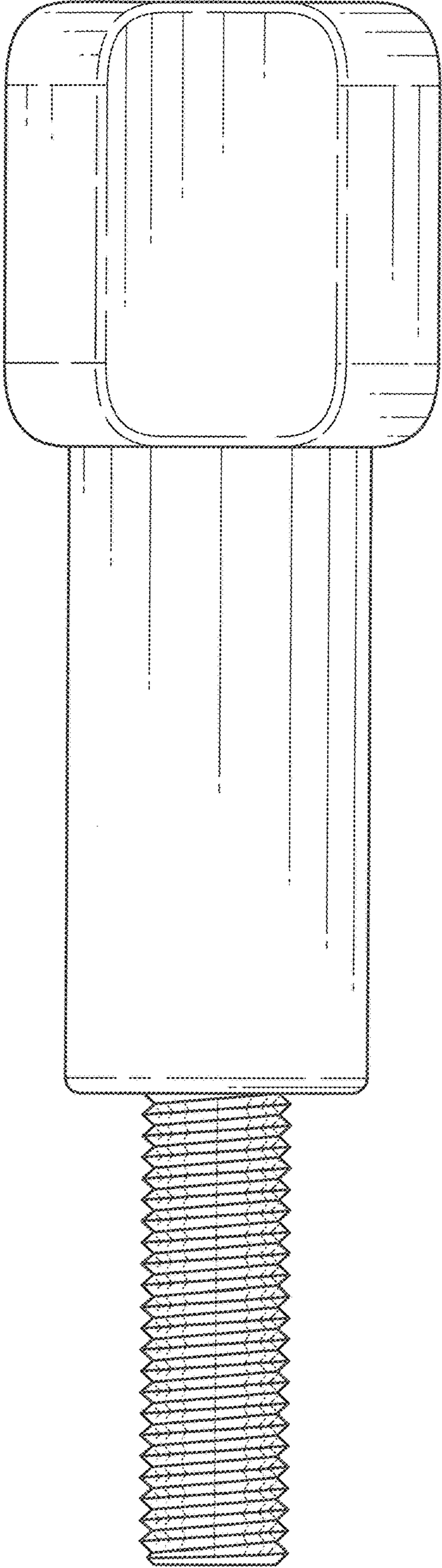


FIG. 4

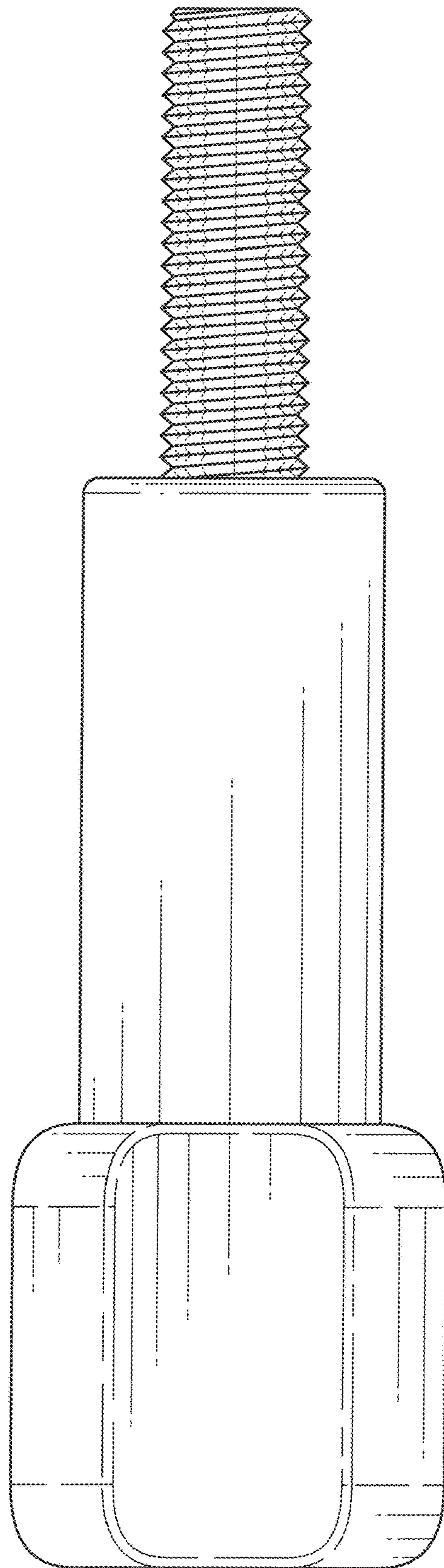


FIG. 5

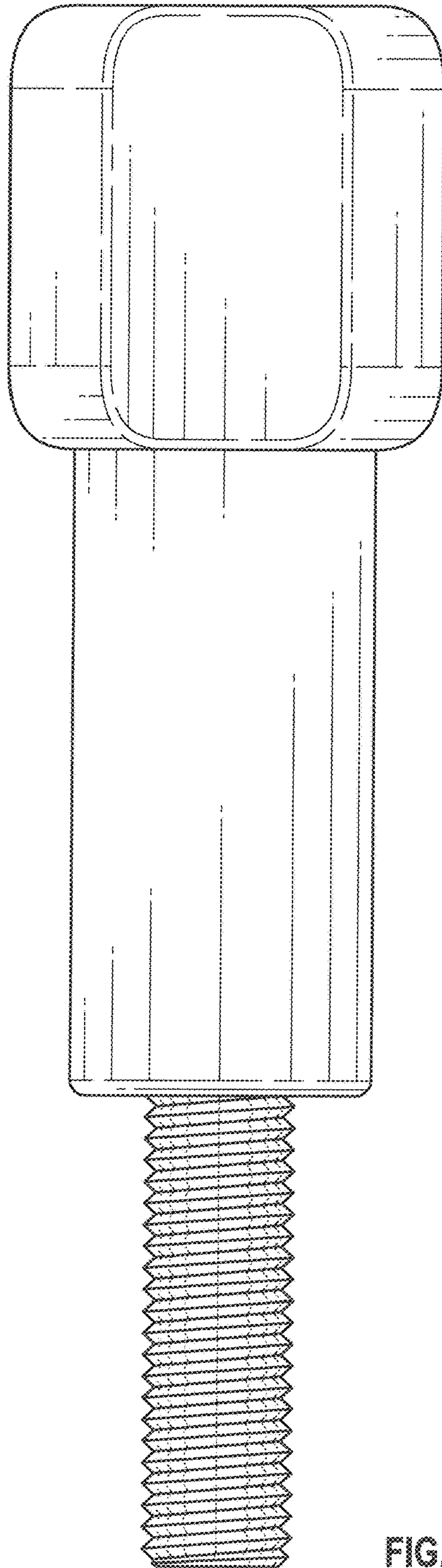


FIG. 6

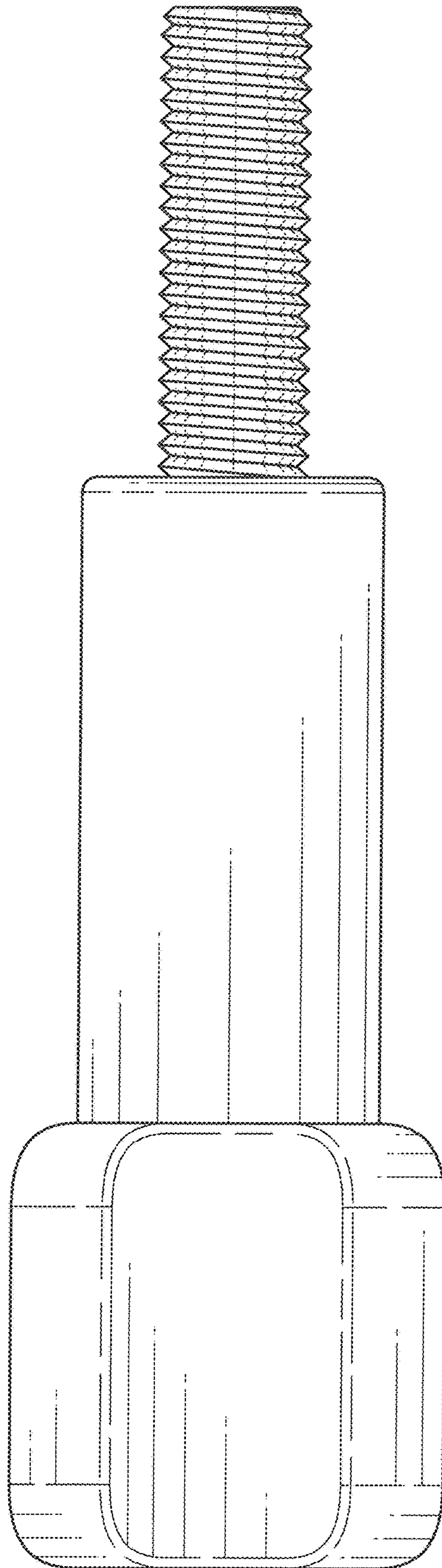


FIG. 7