



US00D816757S

(12) **United States Design Patent**  
**Sakai**

(10) **Patent No.:** **US D816,757 S**

(45) **Date of Patent:** **\*\* May 1, 2018**

(54) **DIGITAL CAMERA BODY OF LENS REPLACING TYPE**

(71) Applicant: **OLYMPUS CORPORATION**,  
Hachioji-shi, Tokyo (JP)

(72) Inventor: **Koji Sakai**, Hachioji (JP)

(73) Assignee: **OLYMPUS CORPORATION**, Tokyo  
(JP)

(\*\*) Term: **15 Years**

(21) Appl. No.: **29/580,410**

(22) Filed: **Oct. 7, 2016**

(30) **Foreign Application Priority Data**

Aug. 9, 2016 (JP) ..... 2016-017088

(51) **LOC (11) Cl.** ..... **16-05**

(52) **U.S. Cl.**  
USPC ..... **D16/219**

(58) **Field of Classification Search**  
USPC ..... D16/200, 202–205, 208, 209, 218, 219;  
348/373–376; 396/535, 538–541  
CPC ..... G03B 17/02; G03B 19/04; G03B 17/56;  
G03B 17/04; G03B 15/03; G03B 15/05;  
H04N 5/2251; H04N 5/2252; H04N  
5/2253; H04N 5/2254; H04N 2007/145;  
H04N 7/141; H04N 7/142; H04N 7/147;  
H04N 7/148; H04N 7/15; H04N 7/152

See application file for complete search history.

(56) **References Cited**

U.S. PATENT DOCUMENTS

D573,626 S *	7/2008	Nakajima	.....	D16/219
D681,090 S *	4/2013	Tainaka	.....	D16/200
D720,793 S *	1/2015	Tajima	.....	D16/219
D754,772 S *	4/2016	Nohara	.....	D16/219
D776,185 S *	1/2017	Nohara	.....	D16/219

\* cited by examiner

*Primary Examiner* — Philip S Hyder

*Assistant Examiner* — Ramzi Almatrahi

(74) *Attorney, Agent, or Firm* — Holtz, Holtz & Volek PC

(57) **CLAIM**

The ornamental design for a digital camera body of lens replacing type, as shown and described.

**DESCRIPTION**

FIG. 1 is a front, top and right side perspective view of a digital camera body of lens replacing type showing my new design;

FIG. 2 is a rear, top and left side perspective view thereof;

FIG. 3 is a front elevational view thereof;

FIG. 4 is a rear elevational view thereof;

FIG. 5 is a top plan view thereof;

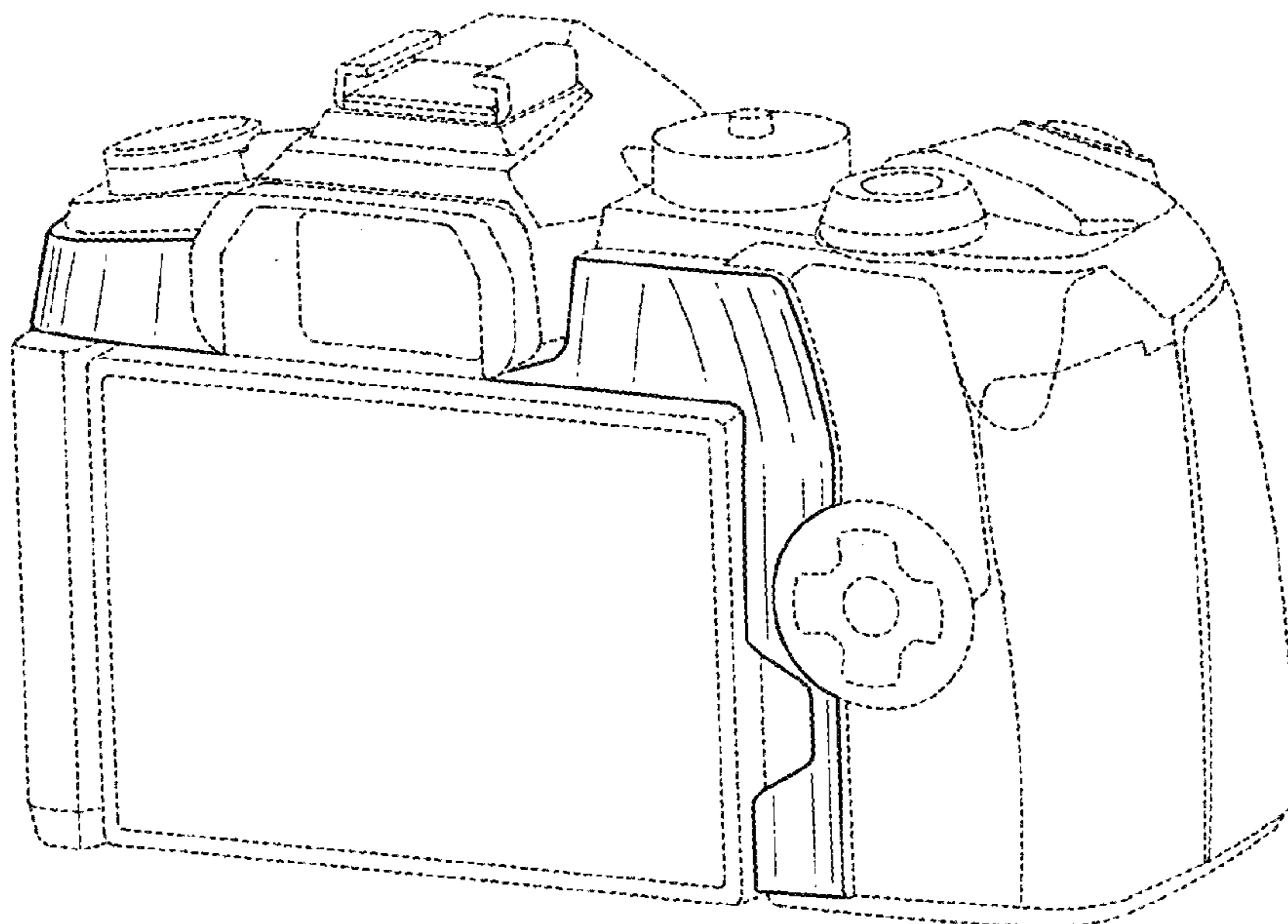
FIG. 6 is a bottom plan view thereof;

FIG. 7 is a right side elevational view thereof; and,

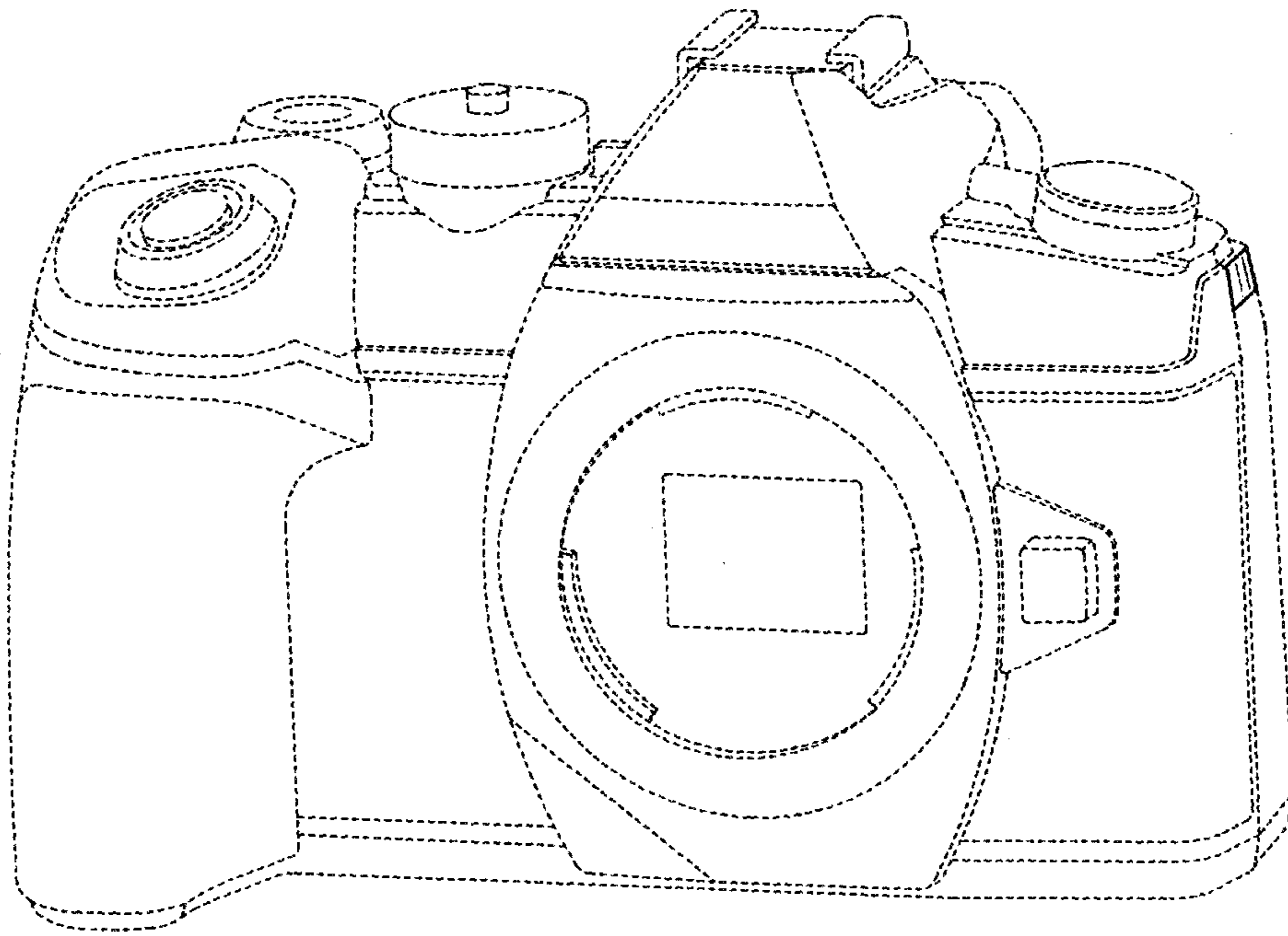
FIG. 8 is a left side elevational view thereof.

The broken lines depict portions of the digital camera body of lens replacing type in which the design is embodied that form no part of the claimed design.

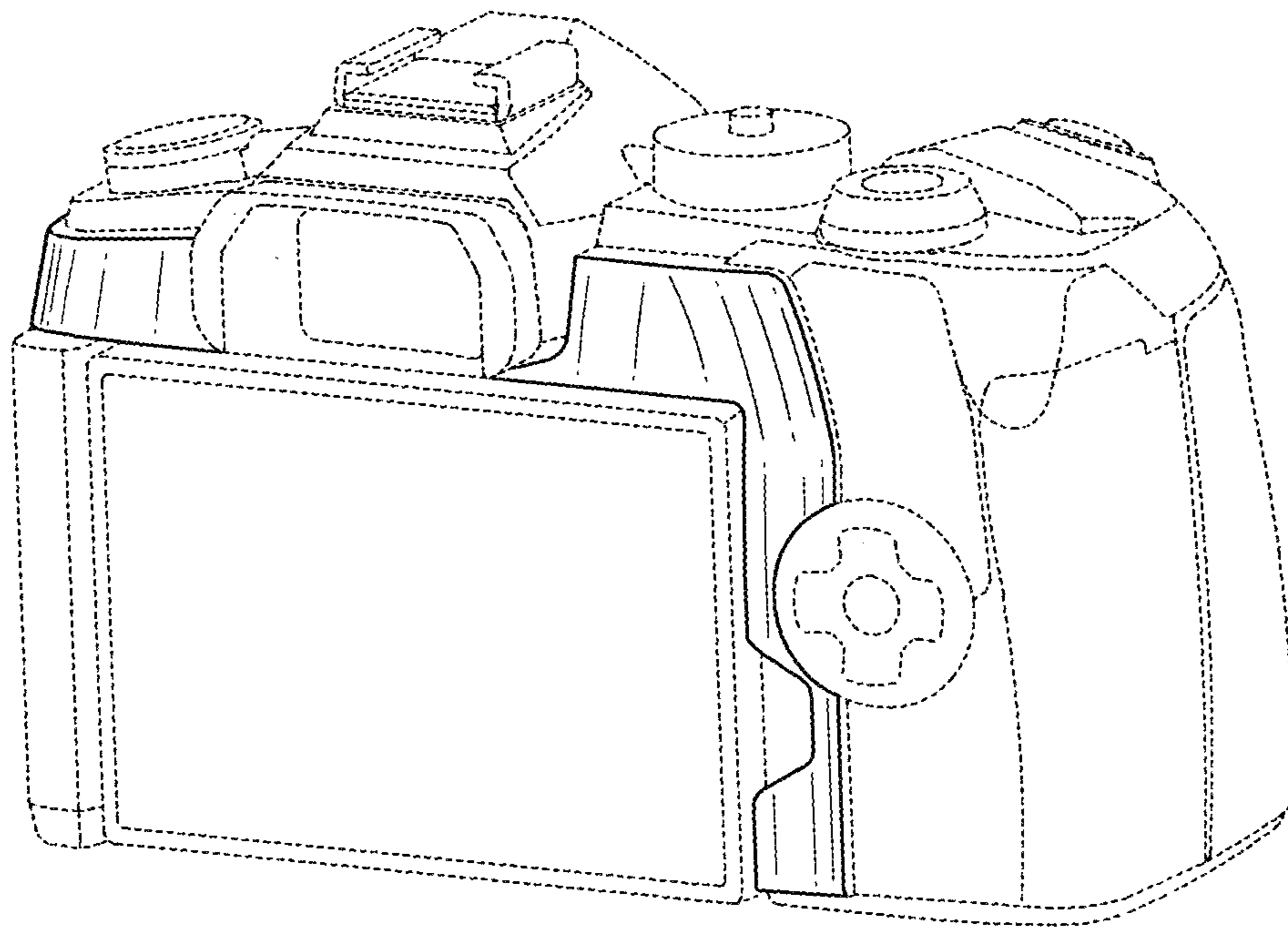
**1 Claim, 5 Drawing Sheets**



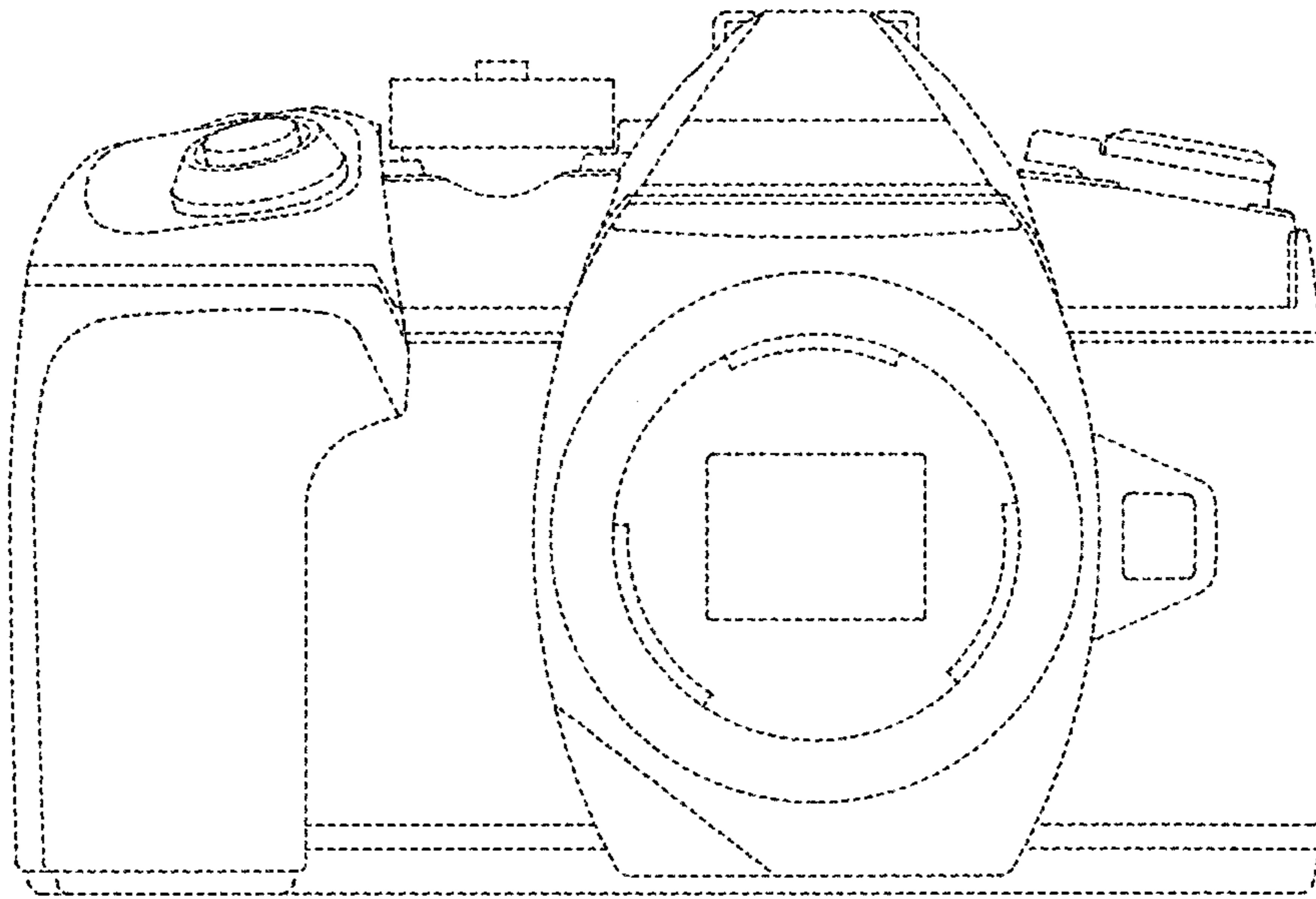
**FIG.1**



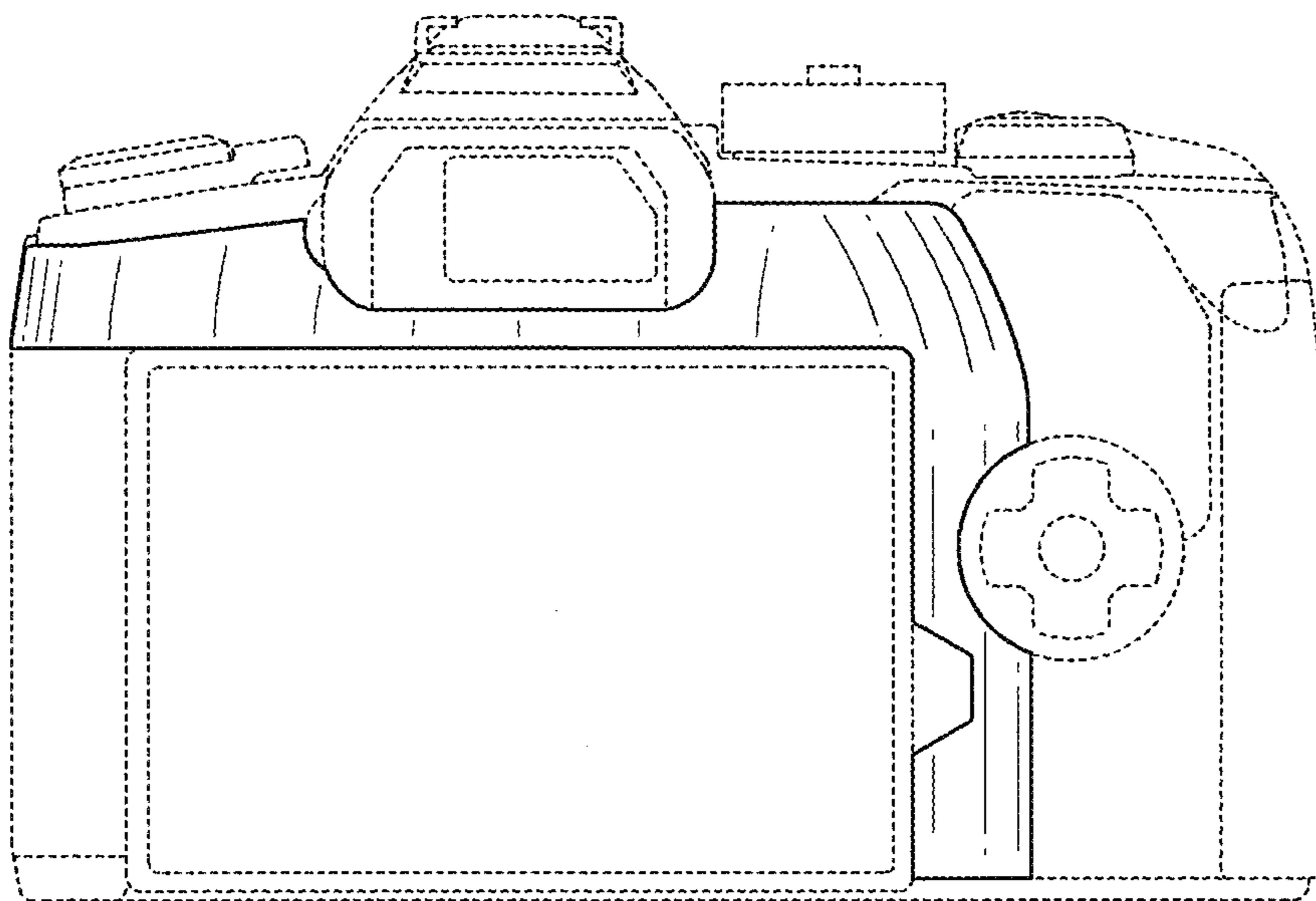
**FIG.2**



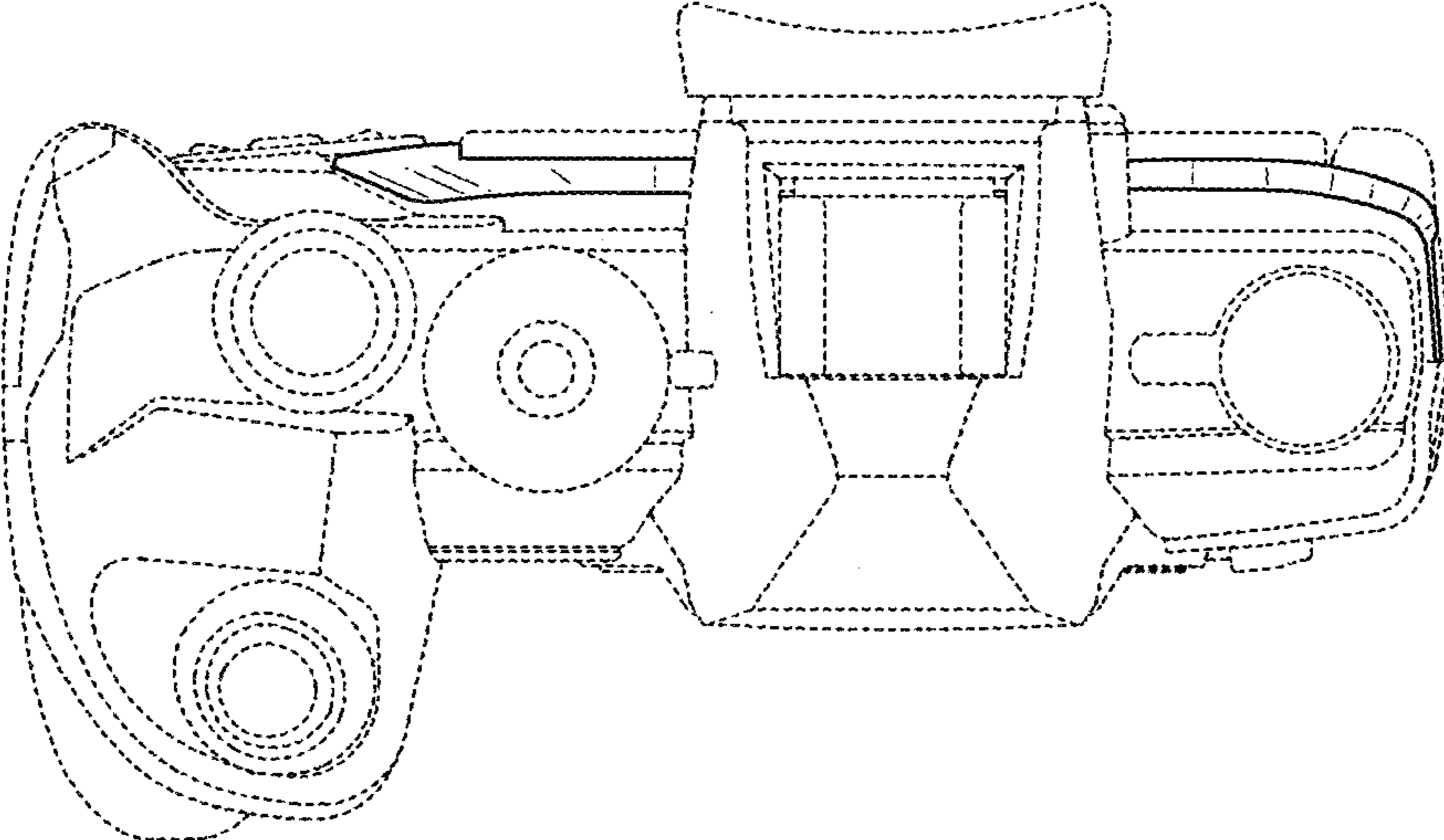
**FIG.3**



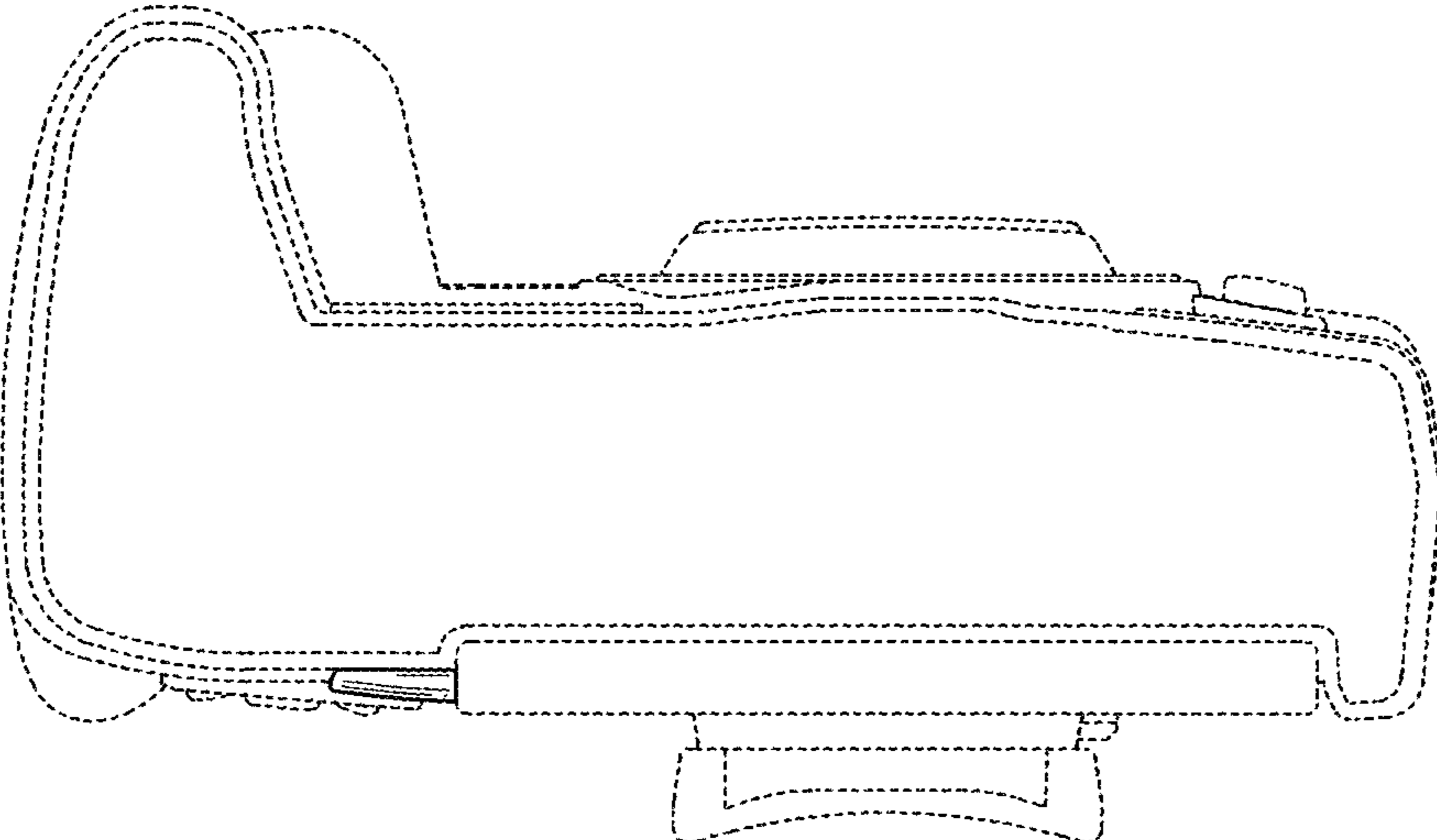
**FIG.4**



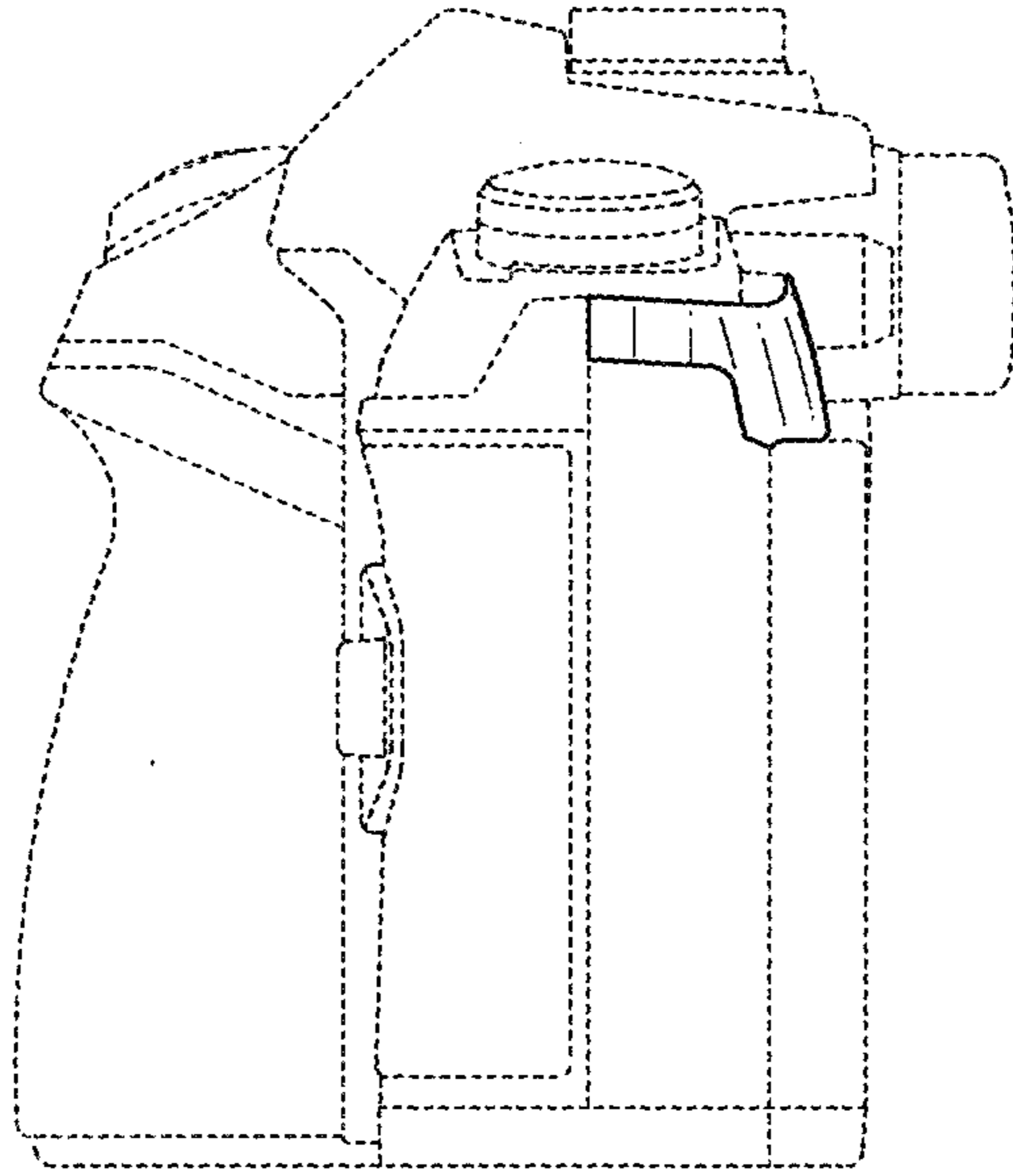
**FIG.5**



**FIG.6**



**FIG.7**



**FIG.8**

