



US00D816756S

(12) **United States Design Patent**  
**Chang et al.**

(10) **Patent No.:** **US D816,756 S**  
(45) **Date of Patent:** **\*\* May 1, 2018**

(54) **PANORAMA CAMERA**  
(71) Applicant: **eYs3D Microelectronics, Co., Taipei (TW)**  
(72) Inventors: **Chi-Hua Chang, Hsinchu (TW); Le-Shan Hsueh, Taipei (TW)**  
(73) Assignee: **eYs3D Microelectronics, Co., Taipei (TW)**

(\*\*) Term: **15 Years**

(21) Appl. No.: **29/594,503**

(22) Filed: **Feb. 19, 2017**

(30) **Foreign Application Priority Data**

Sep. 1, 2016 (TW) ..... 105305120

(51) **LOC (11) Cl.** ..... **16-01**

(52) **U.S. Cl.**  
USPC ..... **D16/210; D16/218**

(58) **Field of Classification Search**  
USPC ..... D16/200, 202–206, 208–209, 218, 219;  
348/373–376; 396/535, 539–541  
CPC ..... G03B 15/03; G03B 17/02; G03B 17/04;  
G03B 17/56; G03B 19/04; H04N 5/2251;  
H04N 5/2252; H04N 5/2253; H04N  
5/2254; H04N 2101/00  
See application file for complete search history.

(56) **References Cited**

**U.S. PATENT DOCUMENTS**

D516,105 S \* 2/2006 Bradley ..... D16/202  
D554,682 S \* 11/2007 Martinez ..... D16/203

7,724,302 B2 \* 5/2010 Yu ..... H04N 1/00519  
348/373  
D628,223 S \* 11/2010 Kao ..... D16/202  
D678,929 S \* 3/2013 Hancock ..... D16/202  
D690,344 S \* 9/2013 Hollinger ..... D16/200  
D700,232 S \* 2/2014 Ramsay ..... D16/207  
D705,844 S \* 5/2014 Bart ..... D16/203  
D731,579 S \* 6/2015 Bart ..... D16/203  
D741,931 S \* 10/2015 Huang ..... D16/202  
D742,955 S \* 11/2015 Kozko ..... D16/207  
9,479,697 B2 \* 10/2016 Aguilar ..... H04N 5/23238  
2012/0263450 A1 \* 10/2012 Totani ..... B60R 11/04  
396/428

\* cited by examiner

*Primary Examiner* — Philip S Hyder  
*Assistant Examiner* — Ramzi Almatrahi  
(74) *Attorney, Agent, or Firm* — Winston Hsu

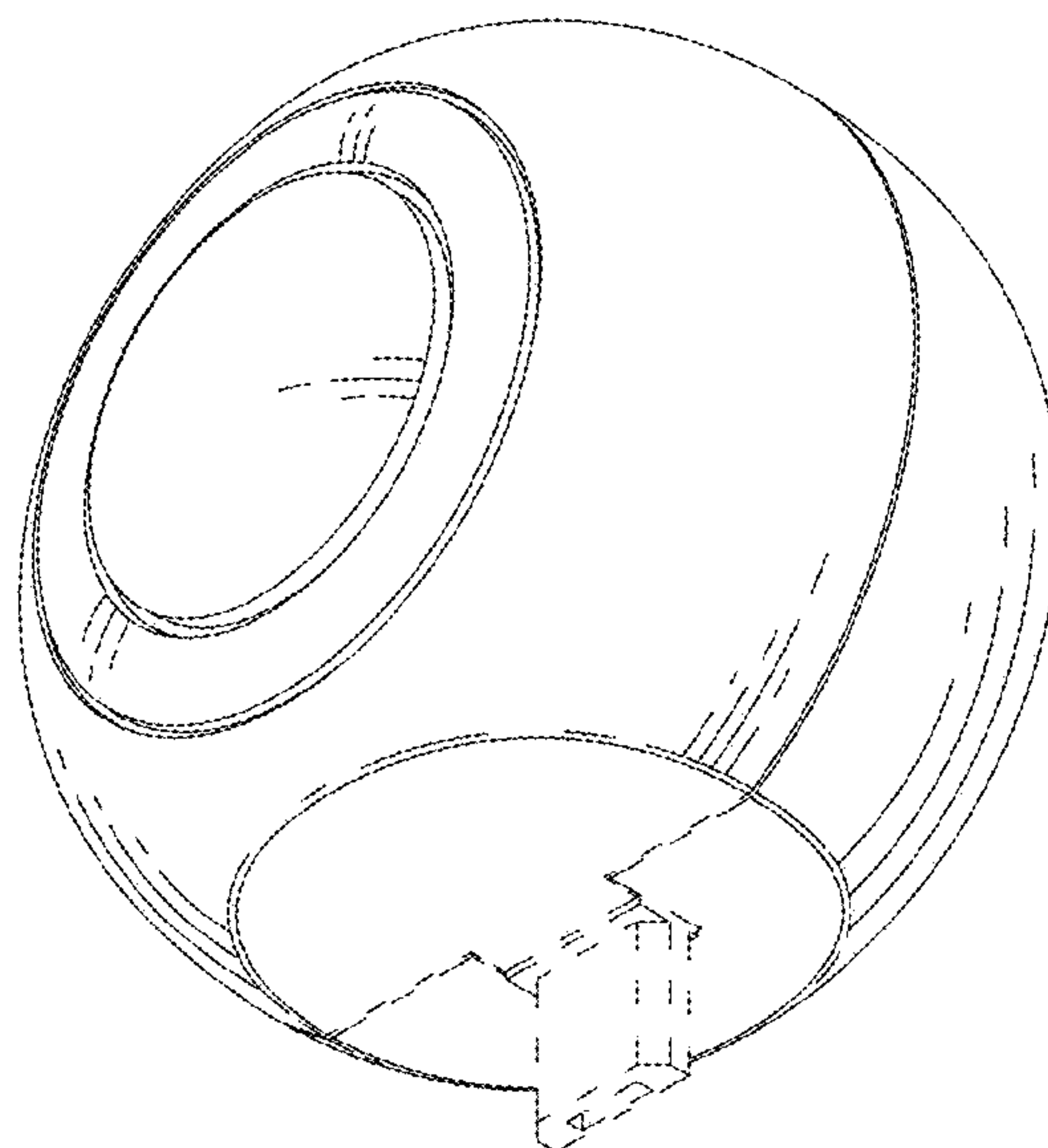
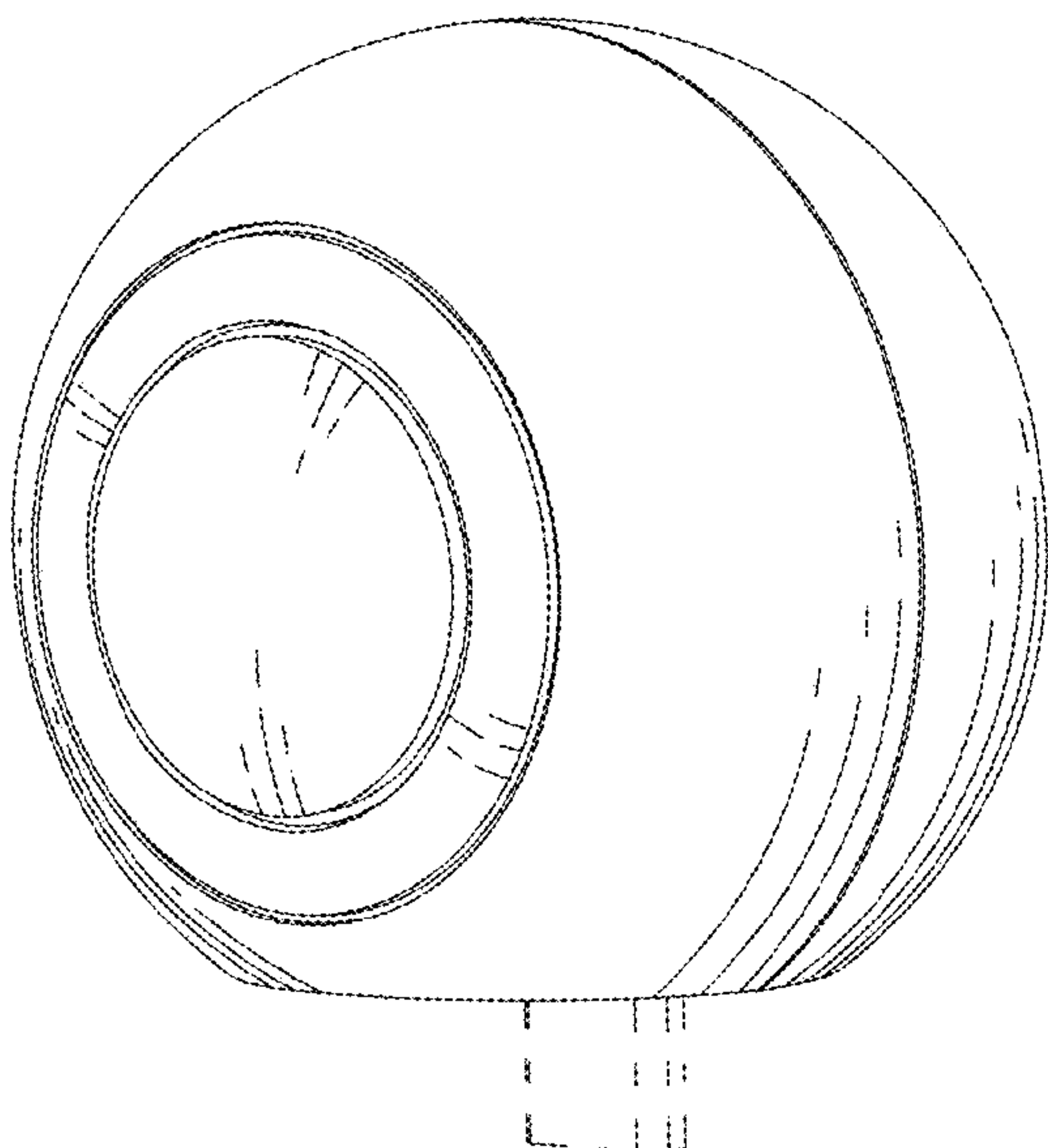
(57) **CLAIM**

The ornamental design for a panorama camera, as shown and described.

**DESCRIPTION**

FIG. 1 is a top perspective view of a panorama camera showing our new design;  
FIG. 2 is a bottom perspective view thereof;  
FIG. 3 is a front view thereof;  
FIG. 4 is a rear view thereof;  
FIG. 5 is a left side view thereof;  
FIG. 6 is a right side view thereof;  
FIG. 7 is a top view thereof; and,  
FIG. 8 is a bottom view thereof.  
The broken lines show portions of the panorama camera that form no part of the claimed design.

**1 Claim, 8 Drawing Sheets**



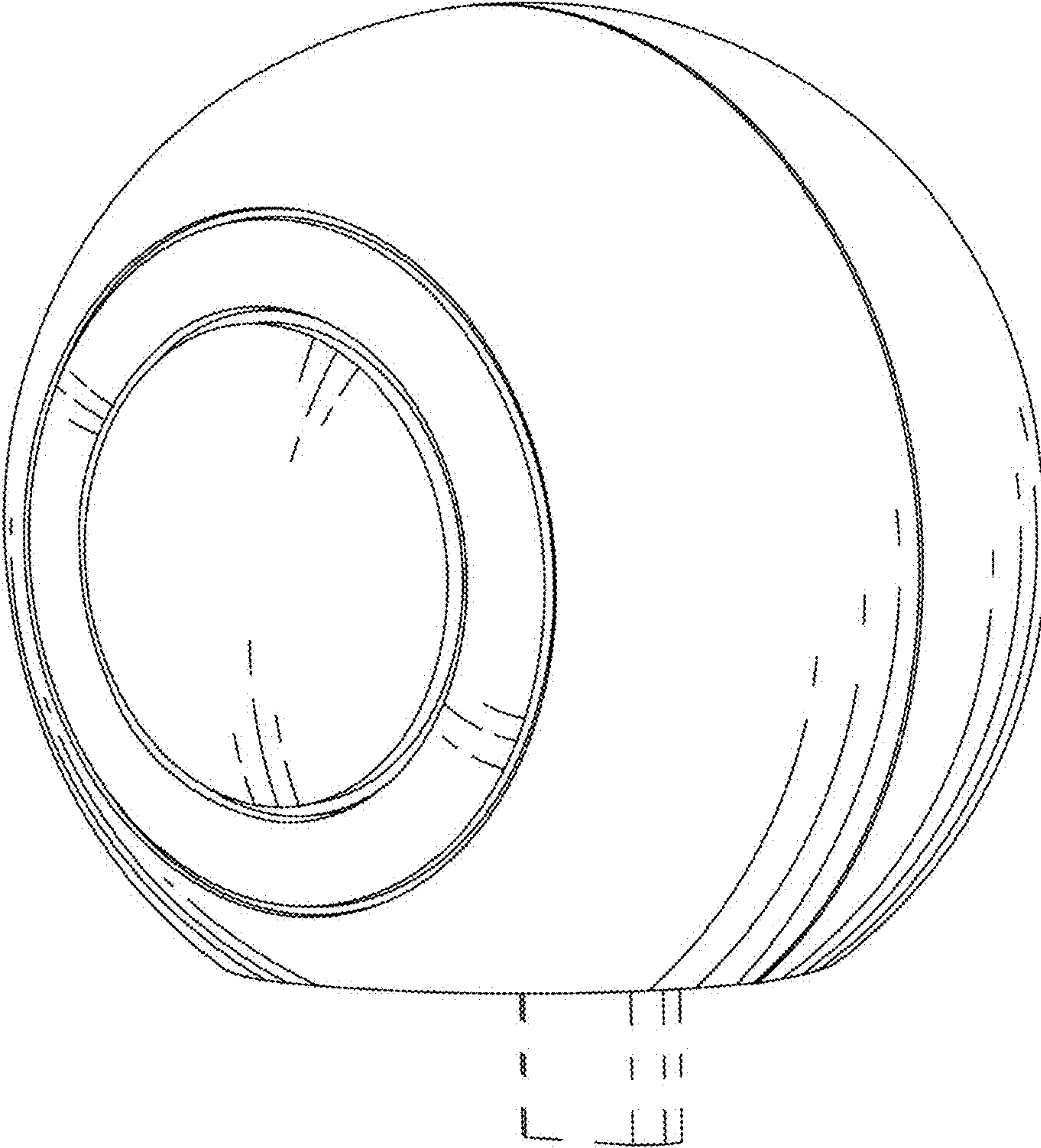


FIG. 1

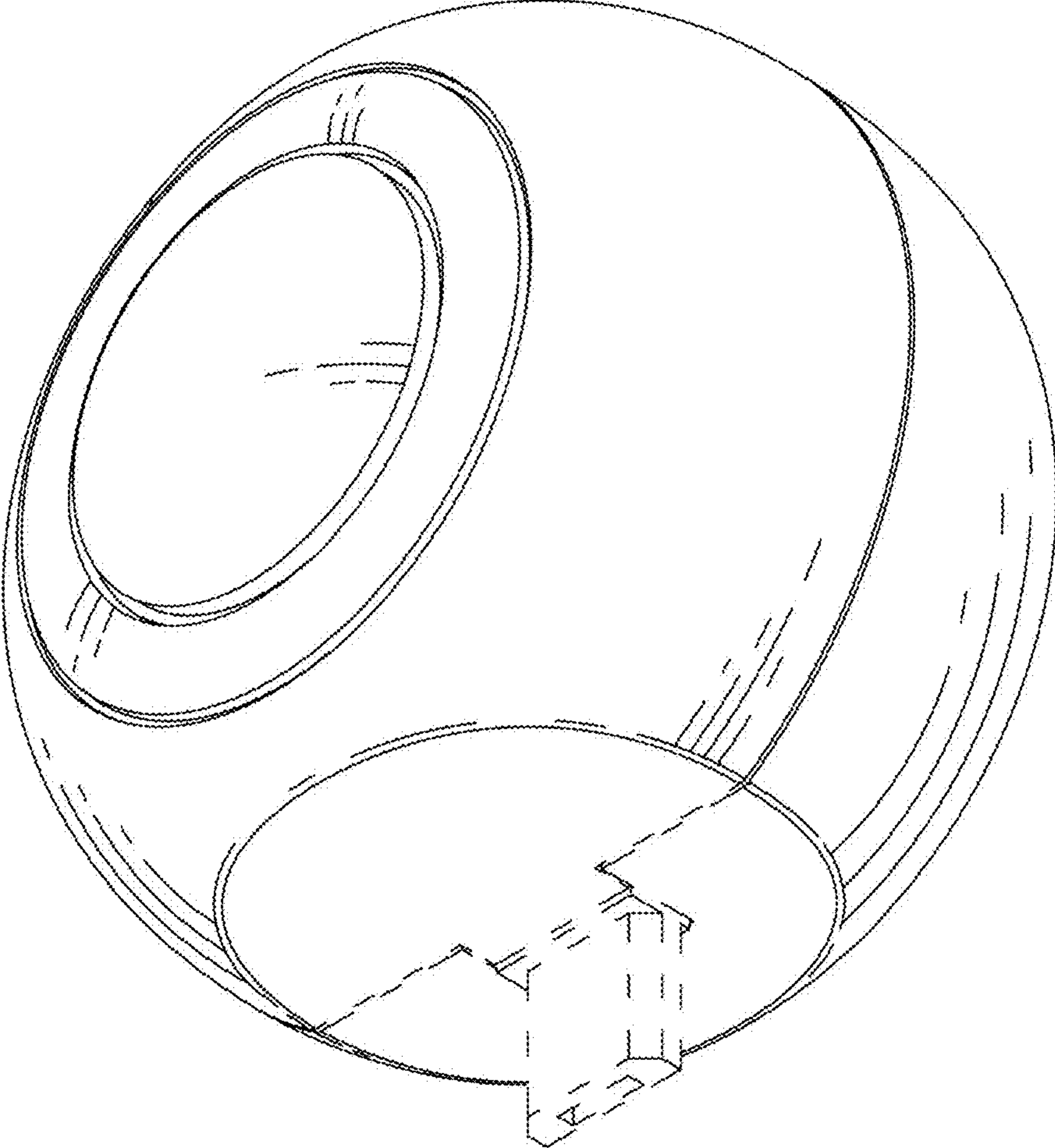


FIG. 2

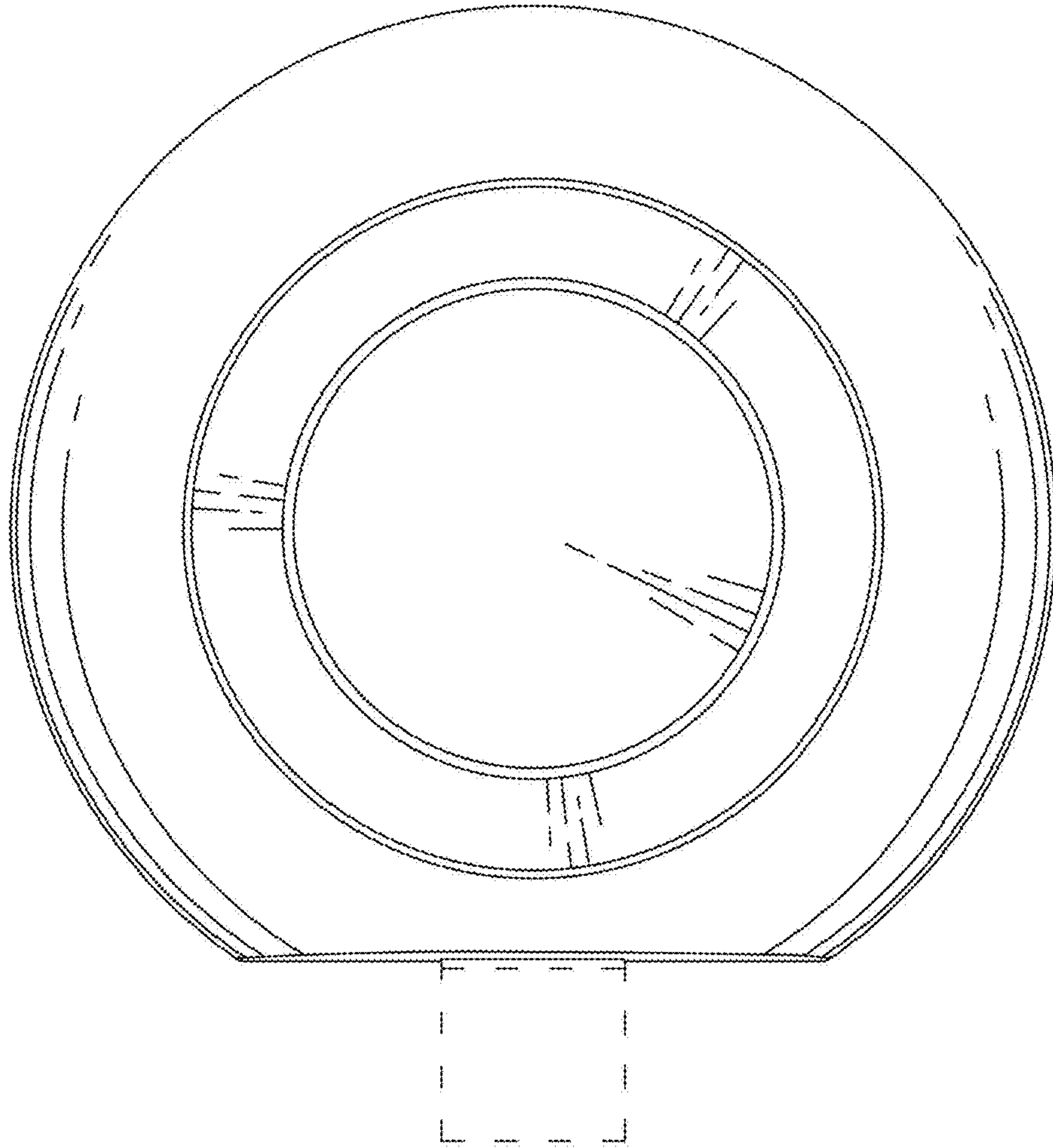


FIG. 3



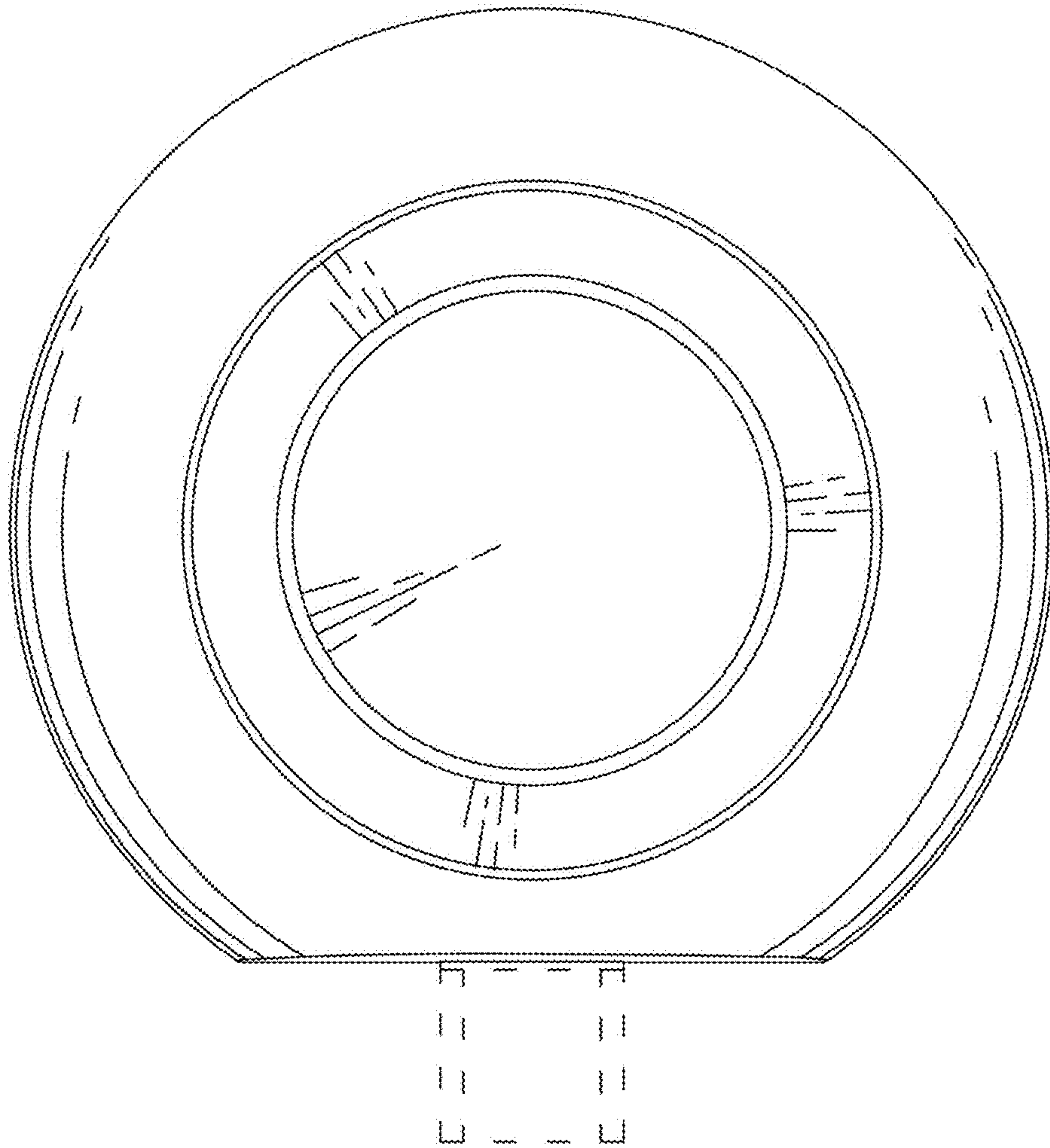


FIG. 4

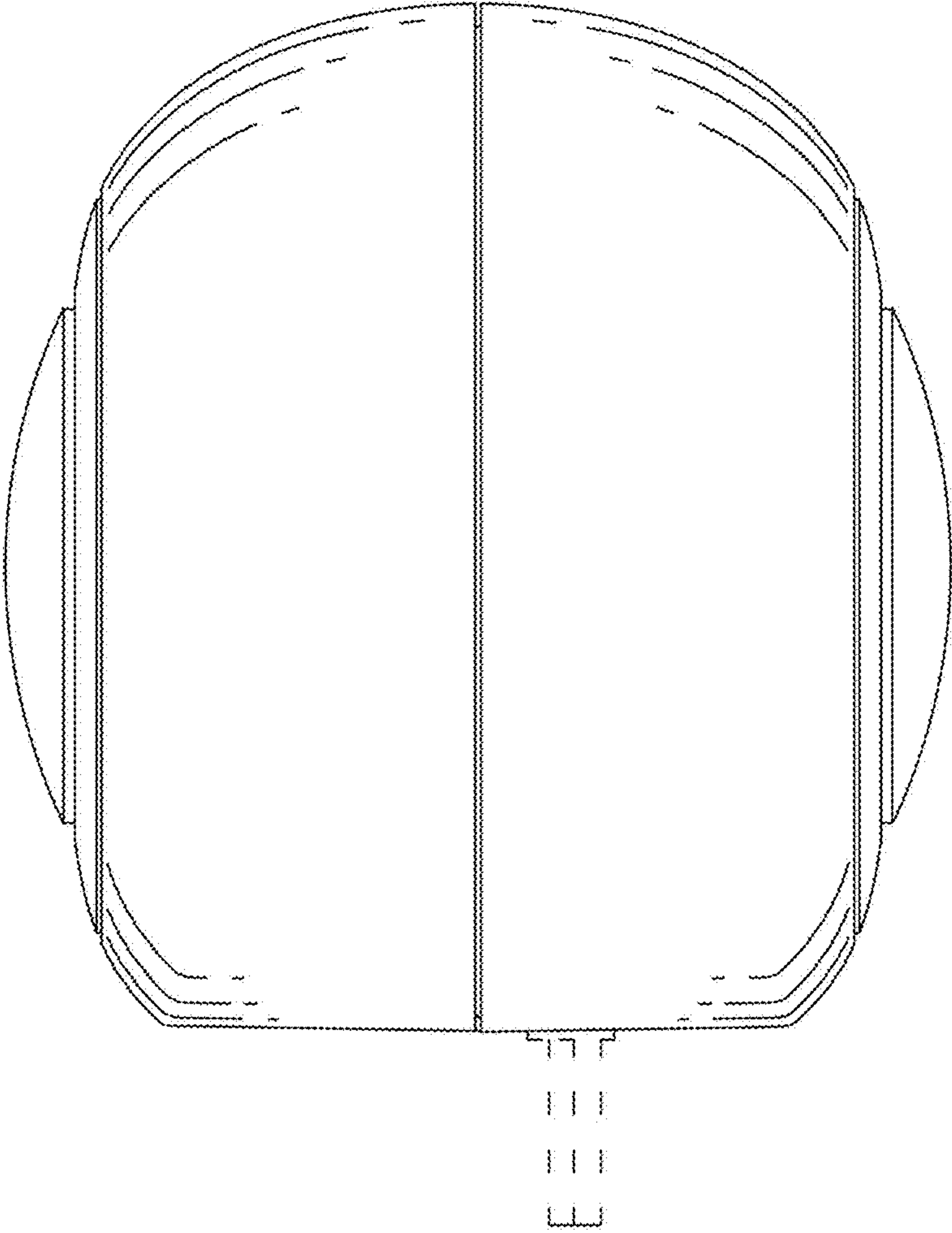


FIG. 5

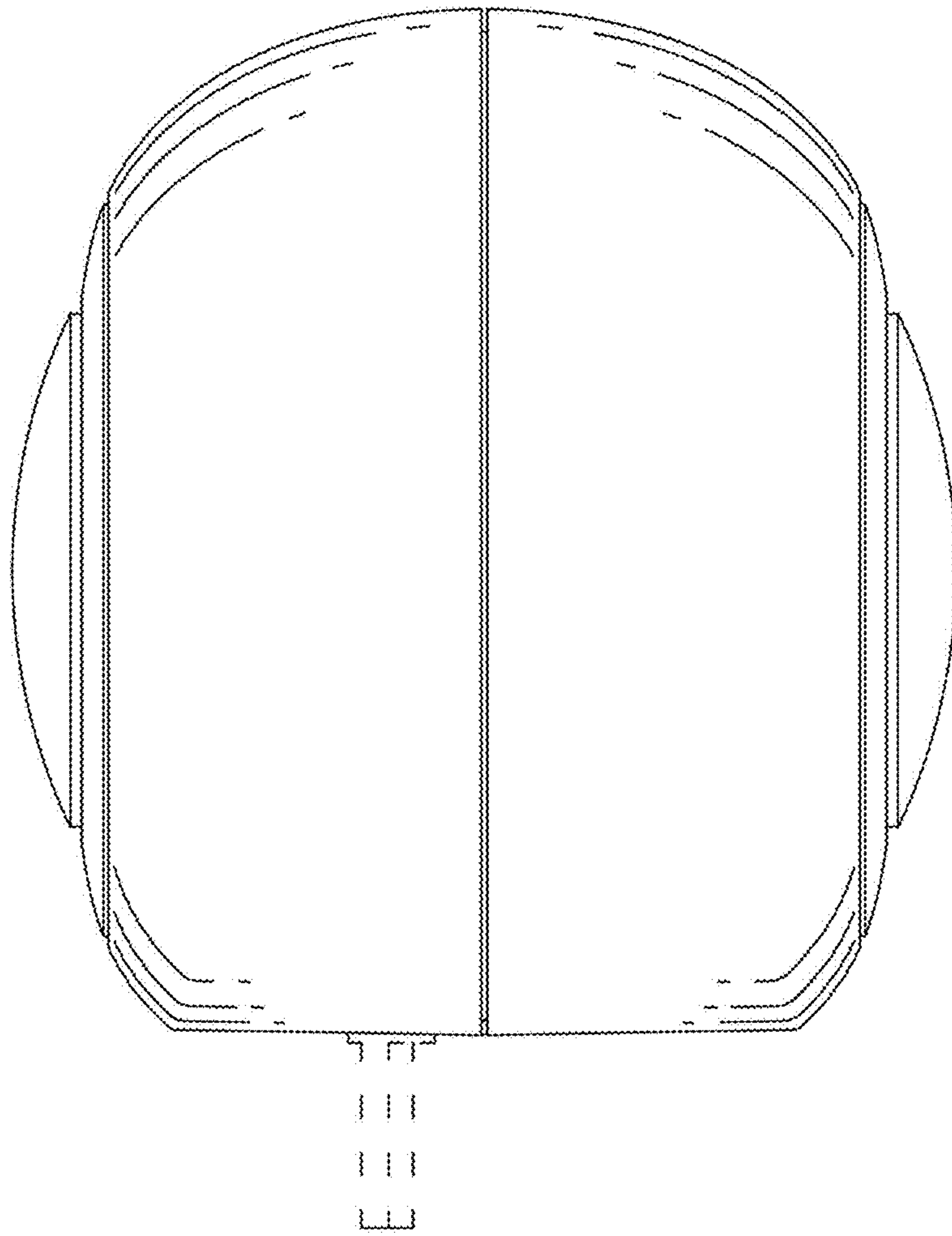


FIG. 6

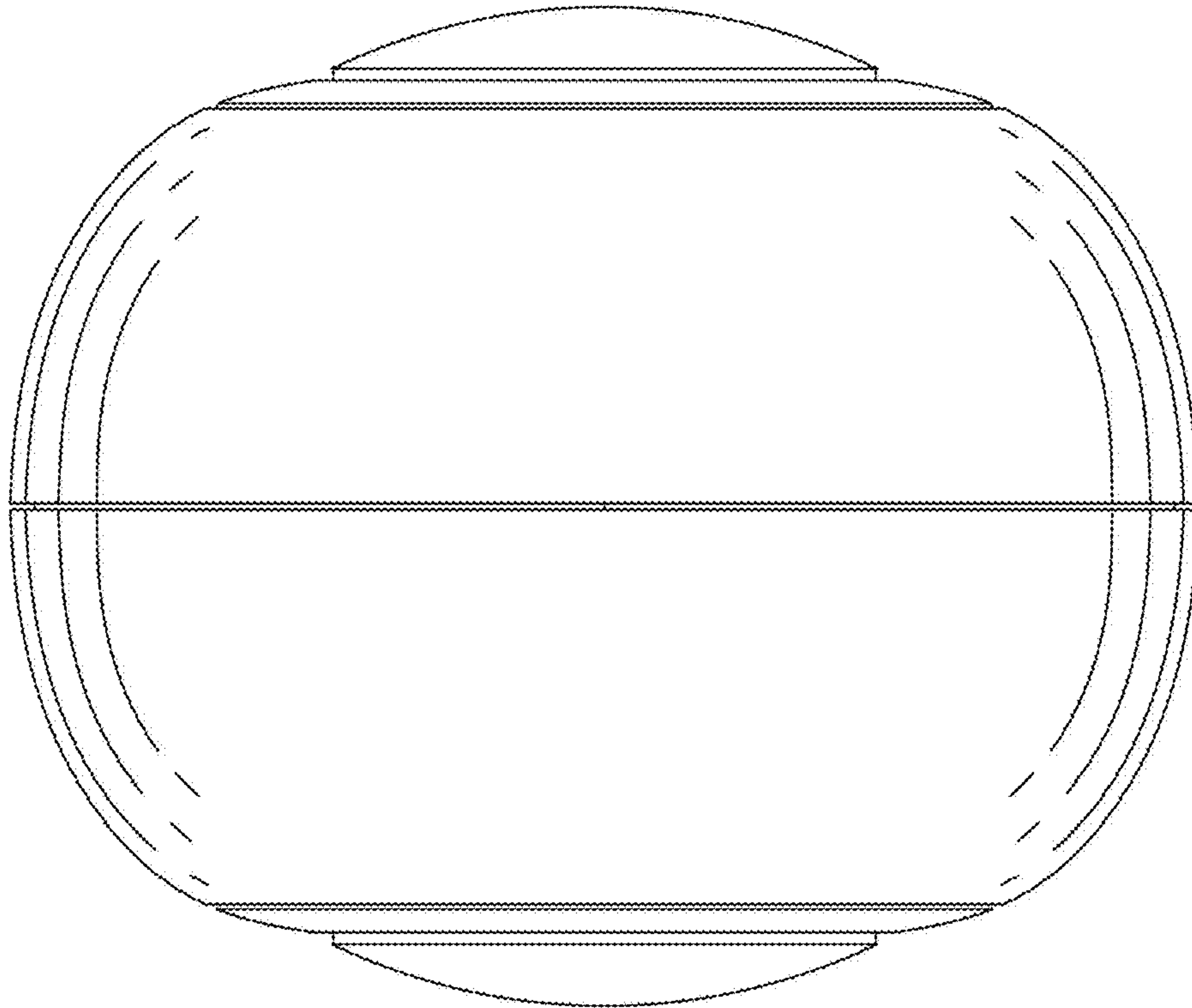


FIG. 7



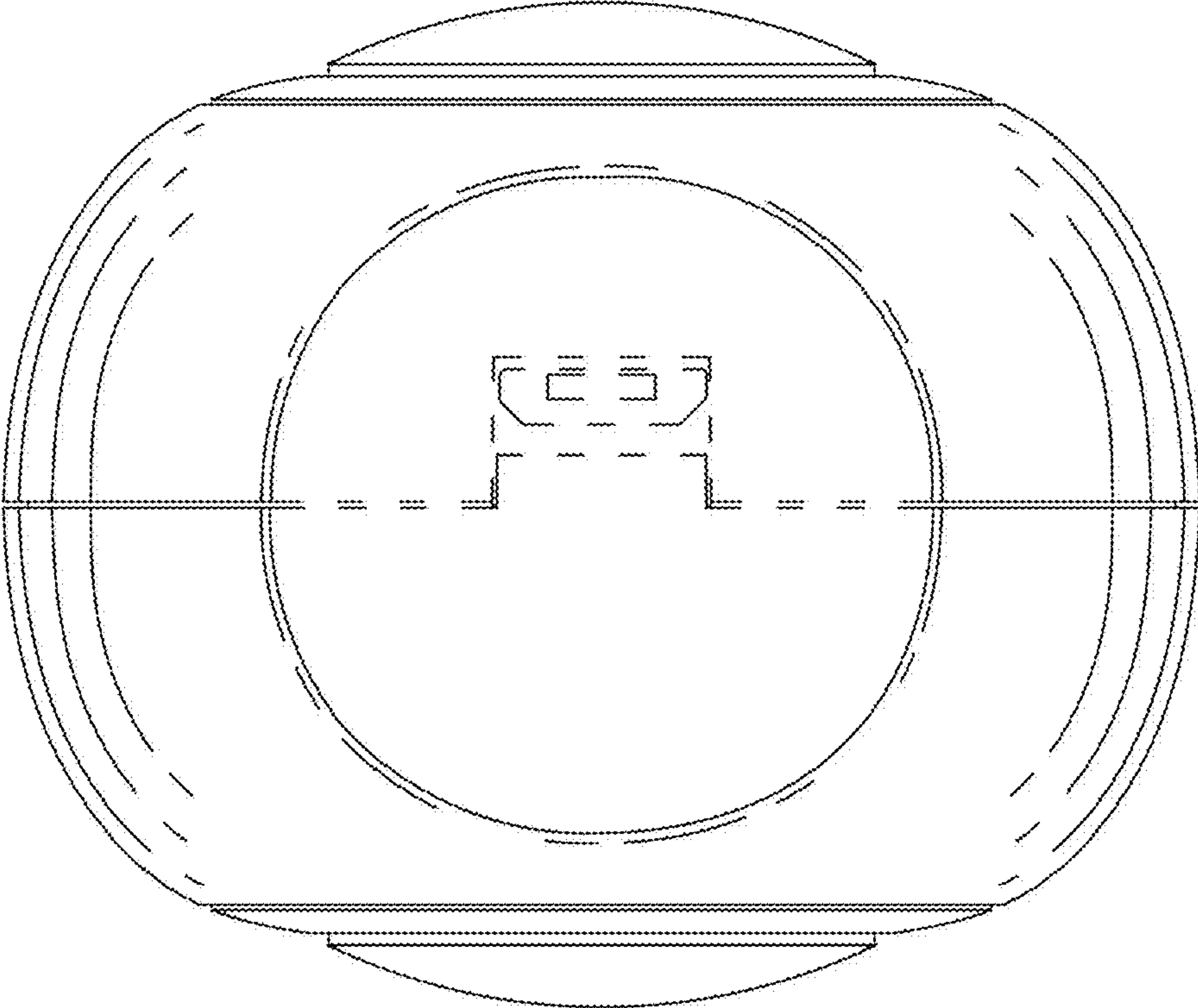


FIG. 8