



US00D816755S

(12) **United States Design Patent** (10) **Patent No.:** **US D816,755 S**
Barnekow et al. (45) **Date of Patent:** **** May 1, 2018**

(54) **SURVEILLANCE CAMERA**

G08B 13/19632; F16M 11/04; F16M 13/00

(71) Applicant: **AXIS AB**, Lund (SE)

See application file for complete search history.

(72) Inventors: **Kristoffer Barnekow**, Lund (SE); **Nina Bergius**, Lund (SE); **Daniel Åhman**, Lomma (SE); **Mathias Walter**, Arlöv (SE); **Morten Bergström**, Bjärred (SE)

(56) **References Cited**

U.S. PATENT DOCUMENTS

D575,810 S *	8/2008	Alm	D16/203
D610,183 S *	2/2010	Nohavec	D16/203
D612,883 S *	3/2010	Yamakawa	D16/203
D628,225 S *	11/2010	Deurwaarder	D16/203
D633,120 S *	2/2011	Ham	D16/203
D636,804 S *	4/2011	Anneback	D16/203
D636,805 S *	4/2011	Anneback	D16/203
D761,341 S *	7/2016	Katori	D16/203
D772,324 S *	11/2016	Bennermark	D16/203
D777,819 S *	1/2017	Bergstrom	D16/203
D786,330 S *	5/2017	Tasselli	D16/203
D791,849 S *	7/2017	Zhang	D16/203
D792,918 S *	7/2017	Zhang	D16/203
D796,566 S *	9/2017	Bingleman	D16/203
D796,567 S *	9/2017	Bingleman	D16/203
D796,568 S *	9/2017	Bingleman	D16/203
D798,934 S *	10/2017	Wu	D16/203

(Continued)

FOREIGN PATENT DOCUMENTS

KR	300689864	9/2013
KR	300727426	2/2014
TW	D156914	11/2013

Primary Examiner — Manpreet S Matharu

Assistant Examiner — Holly E Thurman

(74) *Attorney, Agent, or Firm* — Volpe and Koenig, P.C.

(73) Assignee: **Axis AB**, Lund (SE)

(**) Term: **15 Years**

(21) Appl. No.: **35/501,948**

(22) Filed: **May 24, 2016**

(80) **Hague Agreement Data**

Int. Filing Date: **May 24, 2016**

Int. Reg. No.: **DM/092226**

Int. Reg. Date: **May 24, 2016**

Int. Reg. Pub. Date: **Nov. 25, 2016**

(30) **Foreign Application Priority Data**

Nov. 25, 2015 (EM) 002877035-0001

(51) **LOC (11) Cl.** **16-01**

(52) **U.S. Cl.**
USPC **D16/203**

(58) **Field of Classification Search**

USPC D16/200, 202–206, 208, 218, 219, 242

CPC G03B 17/02; G03B 19/04; G03B 17/56;

G03B 17/04; G03B 17/03; H04N 5/2251;

H04N 5/2252; H04N 5/2253; H04N

5/2254; H04N 7/181; H04N 5/183; H04N

5/18; G08B 13/1963; G08B 13/19619;

(57) **CLAIM**

The ornamental design for a surveillance camera, as shown and described.

DESCRIPTION

1. Surveillance camera

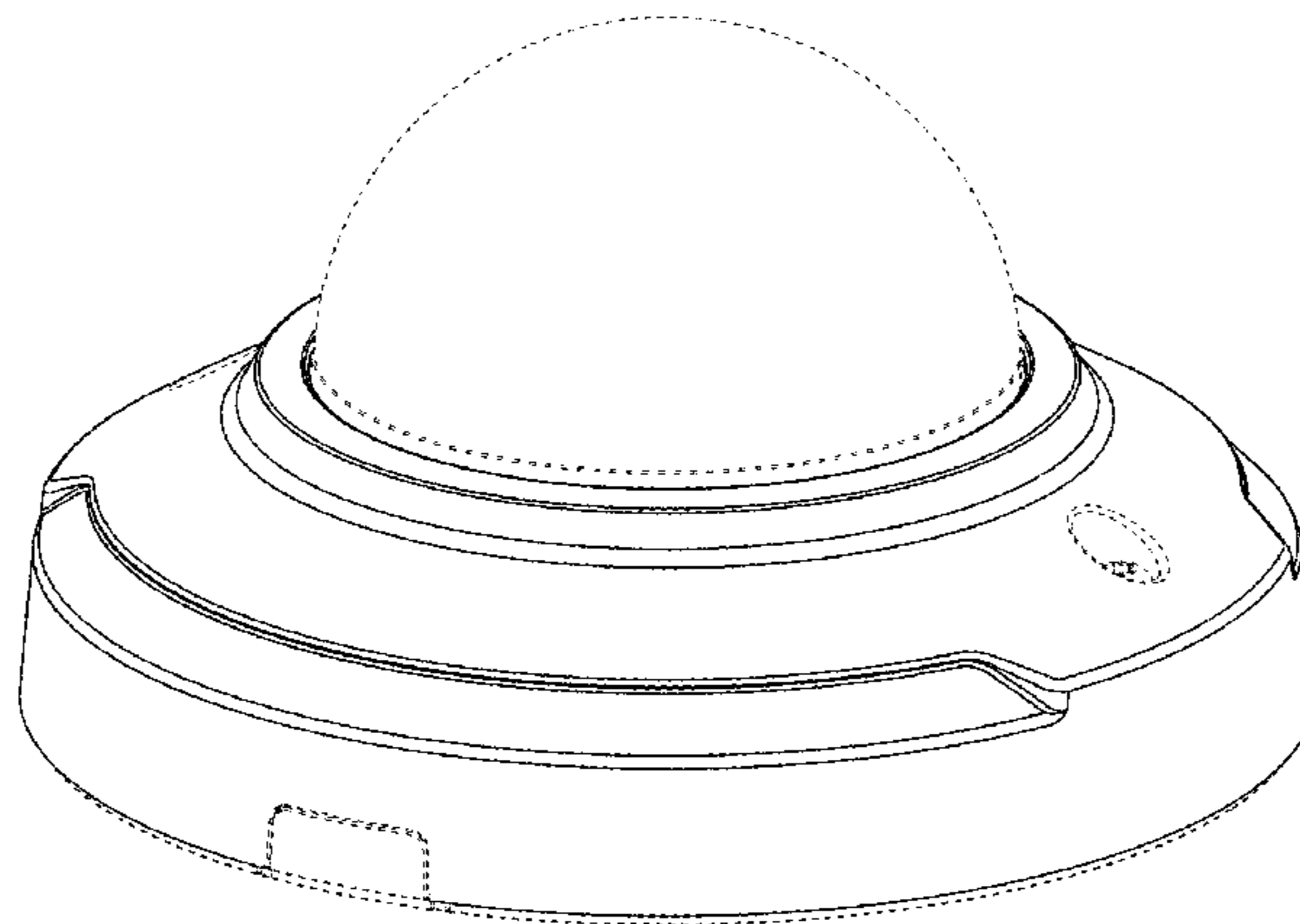
1.1 : Perspective

1.2 : Top

1.3 : Front

1.4 : Left

(Continued)



1.5 : Rear view

1.6 : Right

1.7 : Bottom

The parts shown with dotted lines are not considered to be a part of the claimed design.

1 Claim, 4 Drawing Sheets

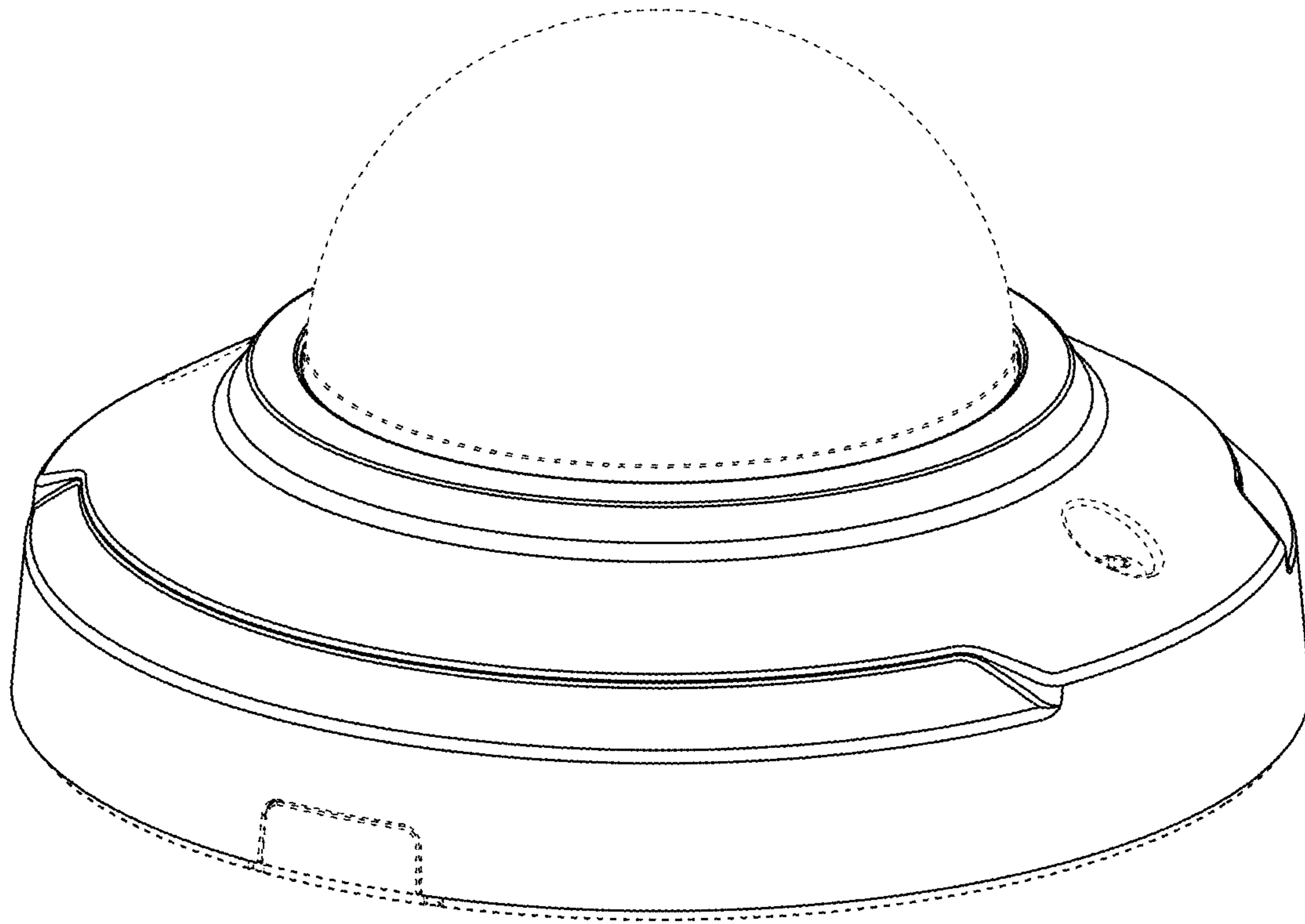
(56)

References Cited

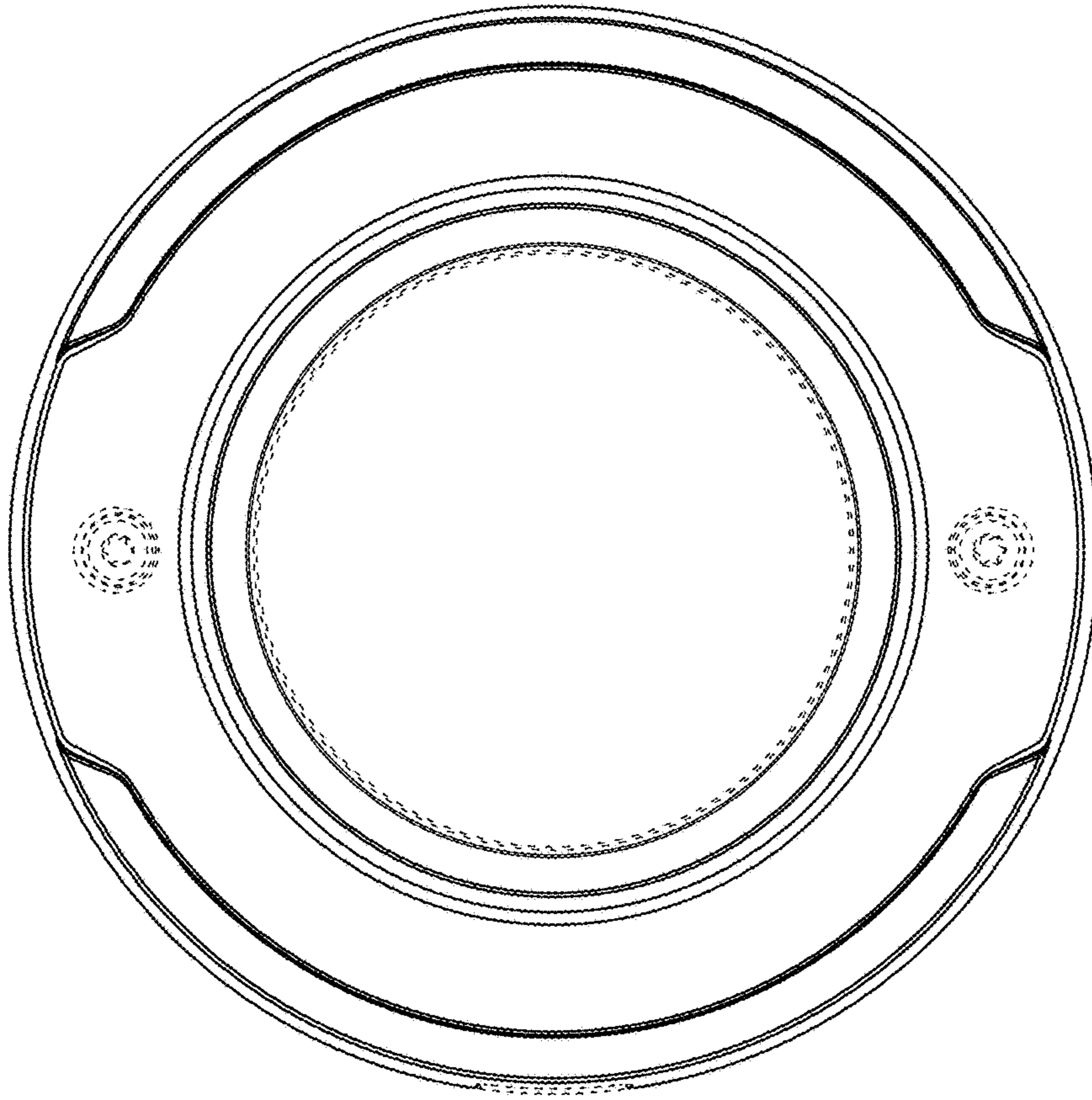
U.S. PATENT DOCUMENTS

D801,406 S * 10/2017 Jeong D16/203
D801,407 S * 10/2017 Kullgren D16/203

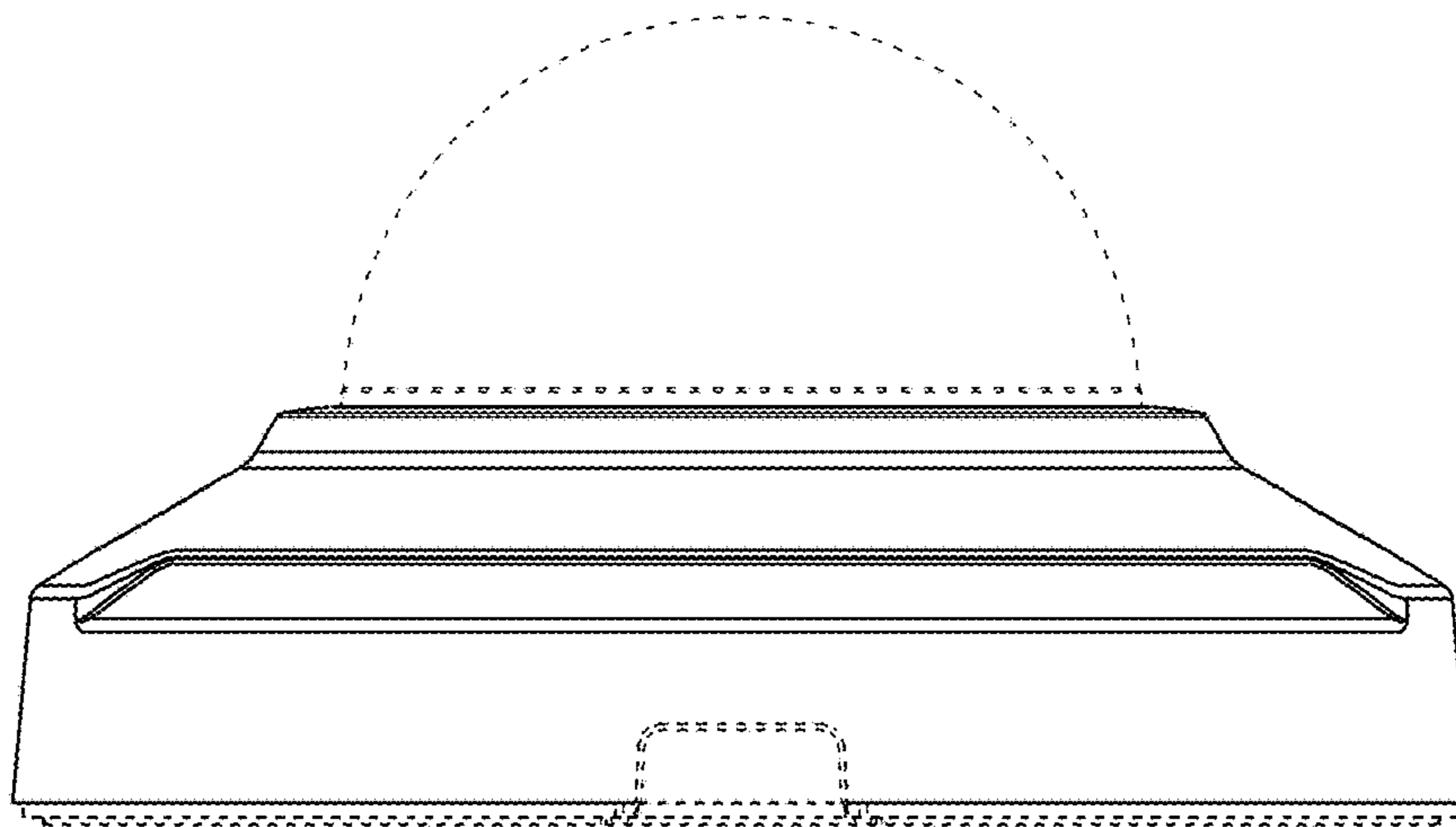
* cited by examiner



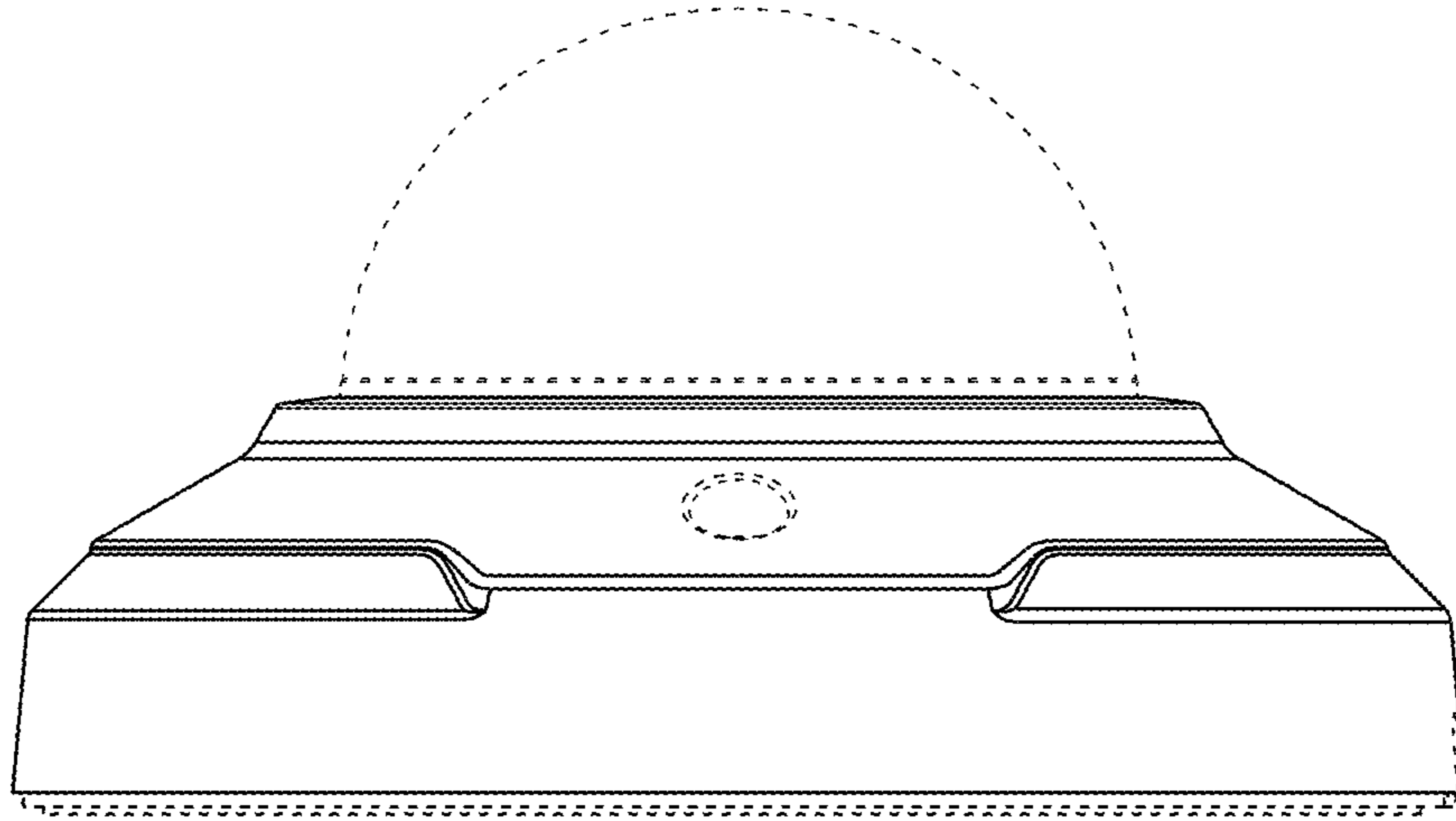
1.1



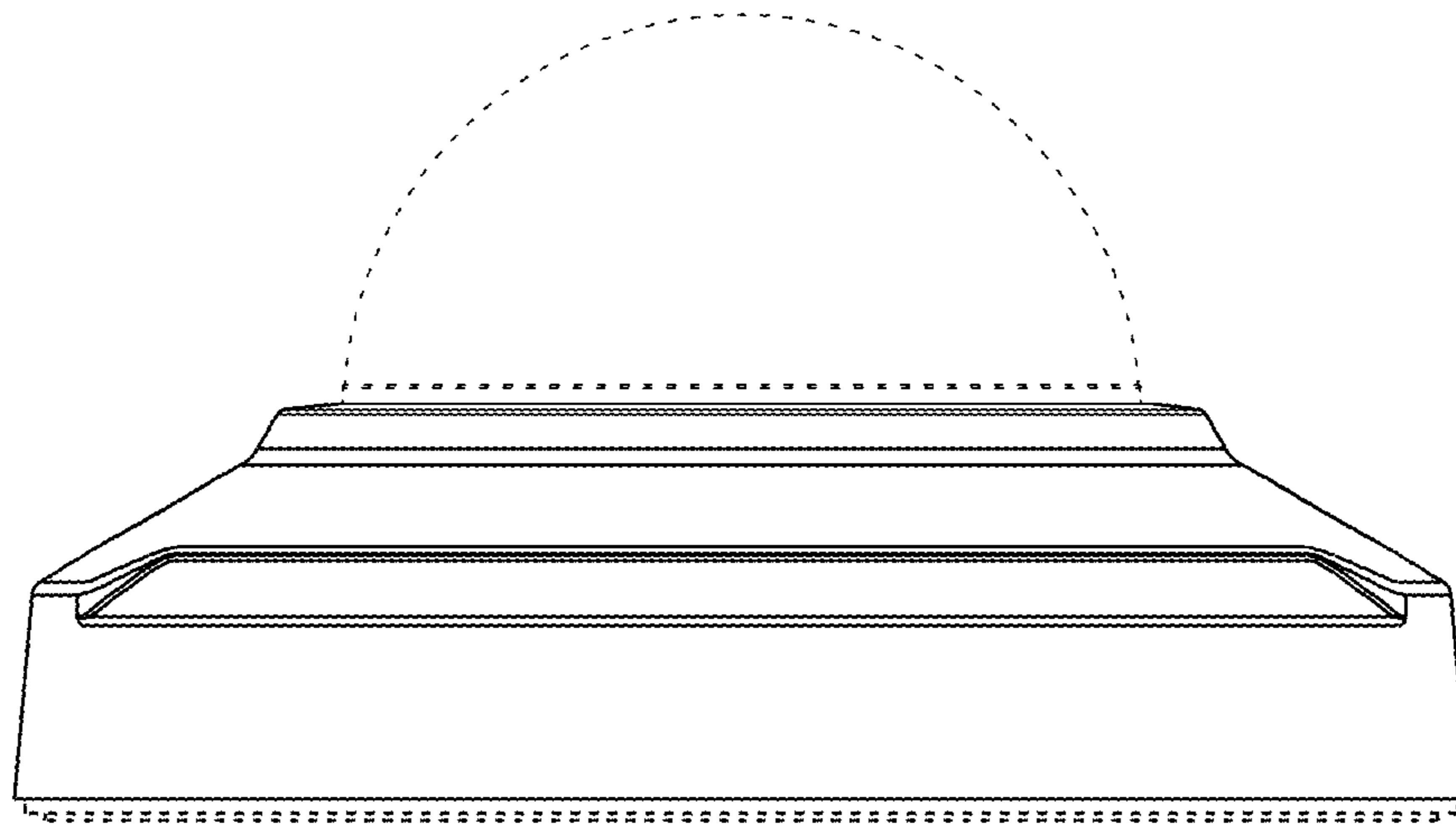
1.2



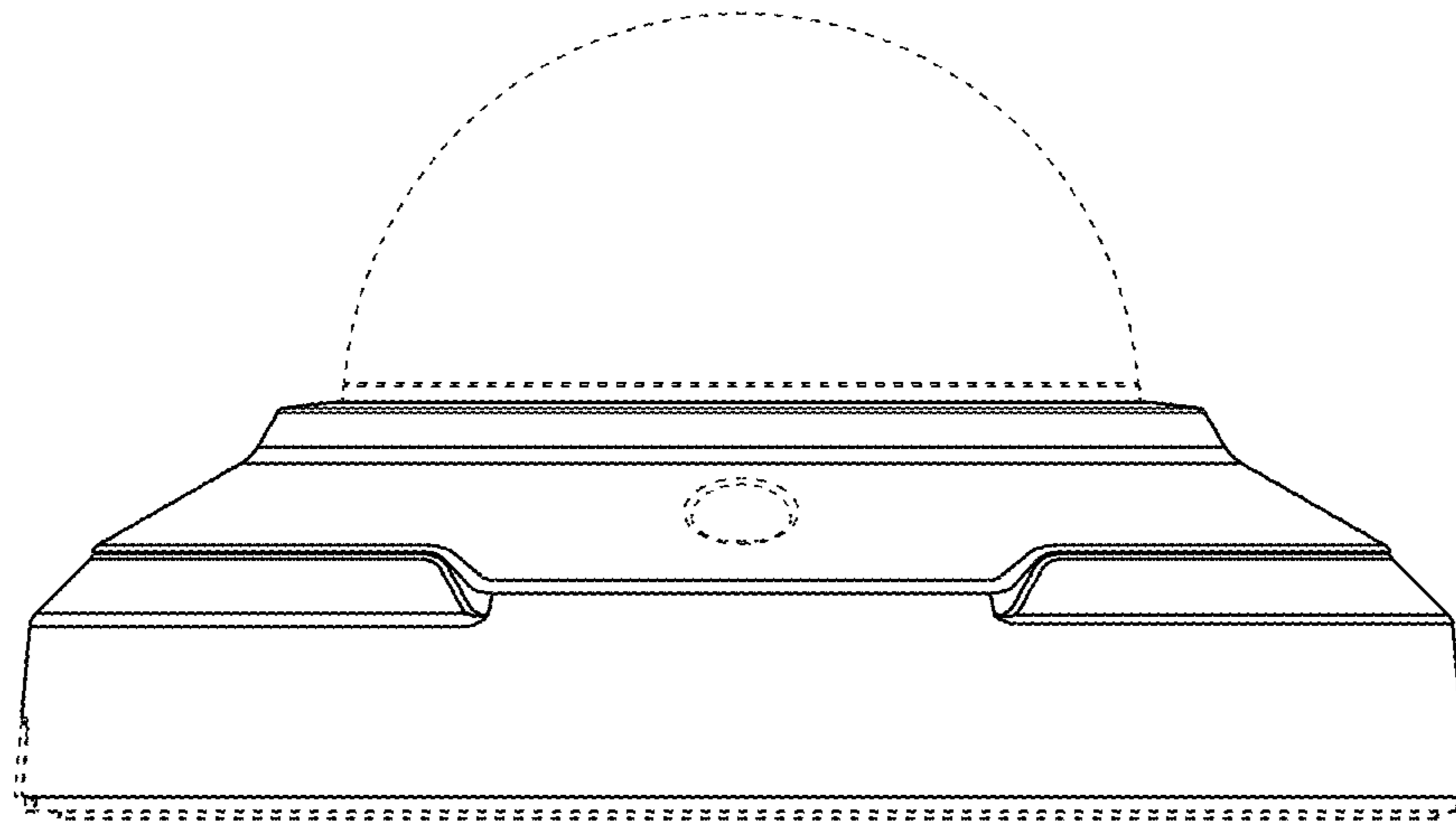
1.3



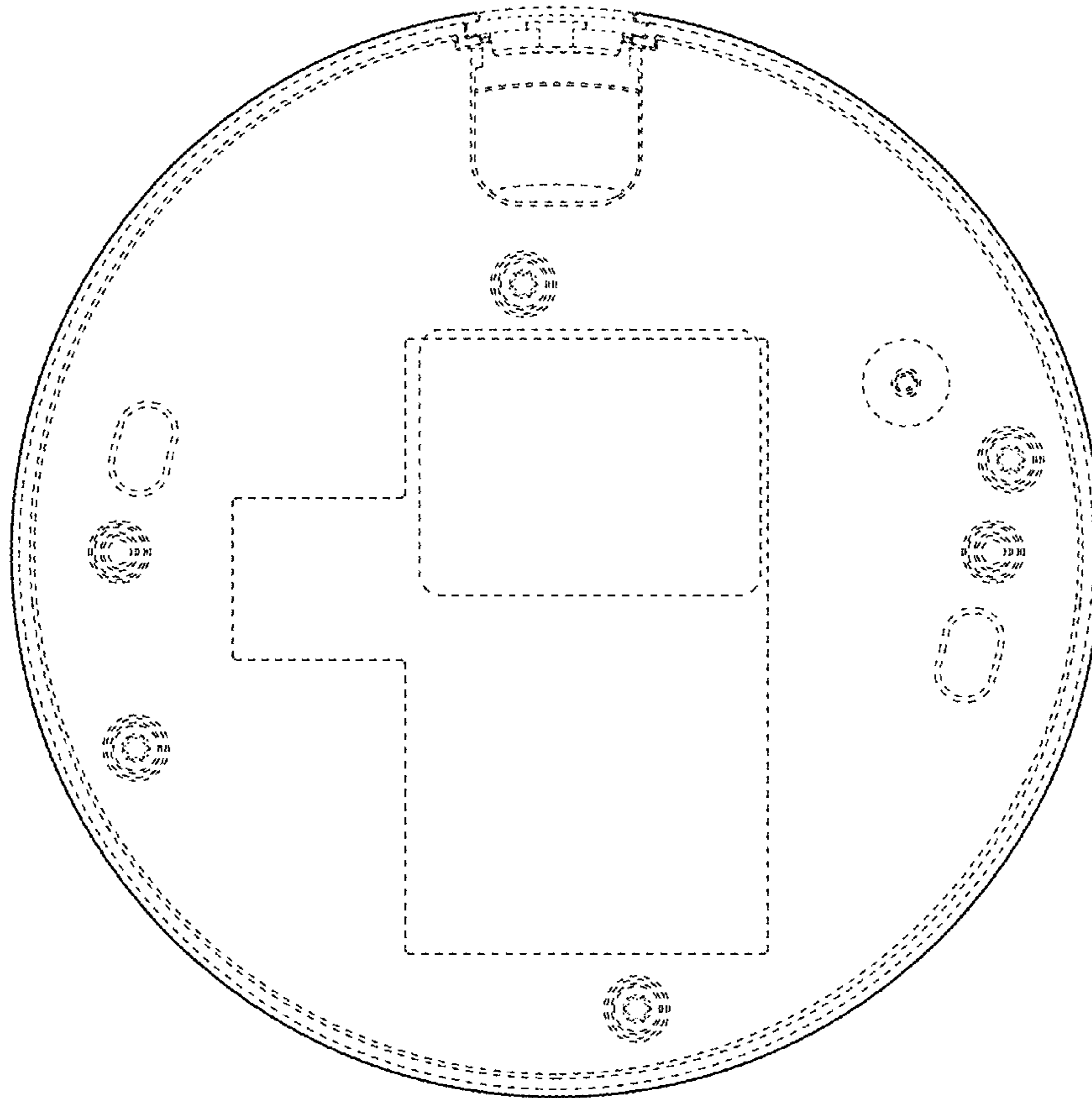
1.4



1.5



1.6



1.7