



US00D816754S

(12) **United States Design Patent**  
**Osada**

(10) **Patent No.:** **US D816,754 S**  
(45) **Date of Patent:** **\*\* May 1, 2018**

(54) **DIGITAL CAMERA BODY OF LENS REPLACING TYPE**

(71) Applicant: **OLYMPUS CORPORATION**,  
Hachioji-shi, Tokyo (JP)

(72) Inventor: **Reisuke Osada**, Hachioji (JP)

(73) Assignee: **OLYMPUS CORPORATION**, Tokyo  
(JP)

(\*\*) Term: **15 Years**

(21) Appl. No.: **29/578,004**

(22) Filed: **Sep. 16, 2016**

(30) **Foreign Application Priority Data**

May 17, 2016 (JP) ..... 2016-010424

(51) **LOC (11) Cl.** ..... **16-01**

(52) **U.S. Cl.**  
USPC ..... **D16/202**

(58) **Field of Classification Search**  
USPC ..... D16/200–220, 232, 235, 239, 242, 243,  
D16/244, 245, 250; D14/423, 229, 251,  
D14/253; D8/107, 303, 8; D32/18, 19,  
D32/25; D4/113, 115, 138  
CPC ..... G02B 5/00; G03B 11/04; G03B 17/00;  
G03B 17/02; G03B 9/08; H04N 5/2251;  
H04N 5/232; H04N 7/00; F16M 13/00  
See application file for complete search history.

(56) **References Cited**

**U.S. PATENT DOCUMENTS**

4,875,065 A 10/1989 Kubodera et al.  
D308,214 S 5/1990 Tanaka et al.  
5,075,707 A 12/1991 Shibayama et al.  
D353,607 S 12/1994 Kamitani  
D392,659 S 3/1998 Takano  
D416,270 S 11/1999 Harata  
D423,031 S \* 4/2000 Shinohara ..... D16/202

6,058,274 A 5/2000 Omiya et al.  
D427,918 S 7/2000 Nakai et al.  
D479,547 S \* 9/2003 Nagayama ..... D16/202  
D483,783 S \* 12/2003 Yoshida ..... D16/202  
6,683,653 B1 1/2004 Miyake et al.  
D486,168 S \* 2/2004 Nakamura ..... D16/202  
D494,611 S \* 8/2004 Nakamura ..... D16/202  
D503,946 S \* 4/2005 Chao ..... D16/202  
D520,547 S \* 5/2006 Yanagisawa ..... D16/202

(Continued)

**FOREIGN PATENT DOCUMENTS**

JP D1571316 \* 3/2017  
JP D1571919 3/2017

**OTHER PUBLICATIONS**

U.S. Appl. No. 29/577,932; First Named Inventor: Reisuke Osada;  
Title: “Digital Camera Body of Lens Replacing Type”; filed Sep. 16,  
2016.

*Primary Examiner* — Barbara Fox

*Assistant Examiner* — Mary C Ramirez

(74) *Attorney, Agent, or Firm* — Holtz, Holtz & Volek PC

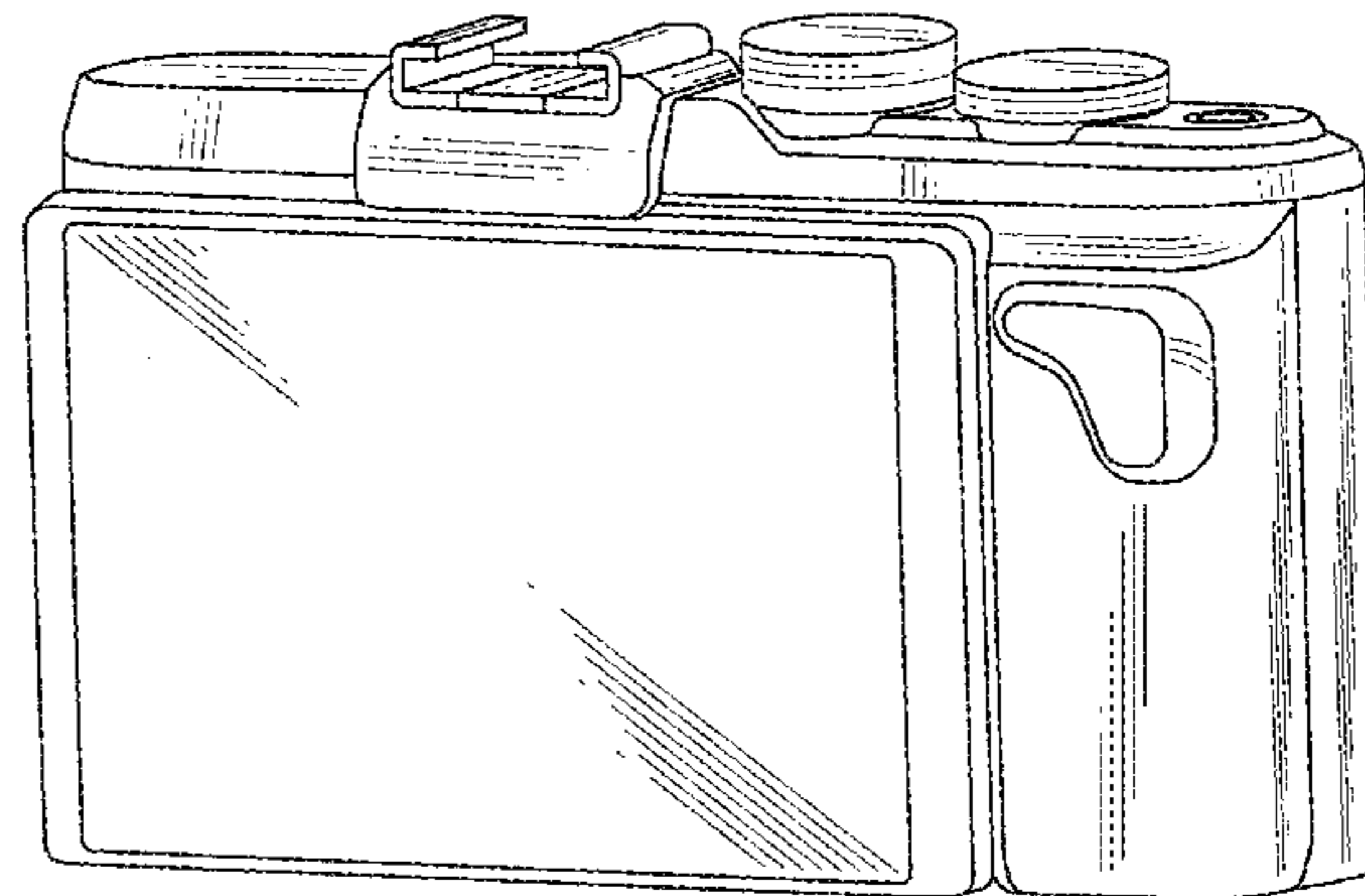
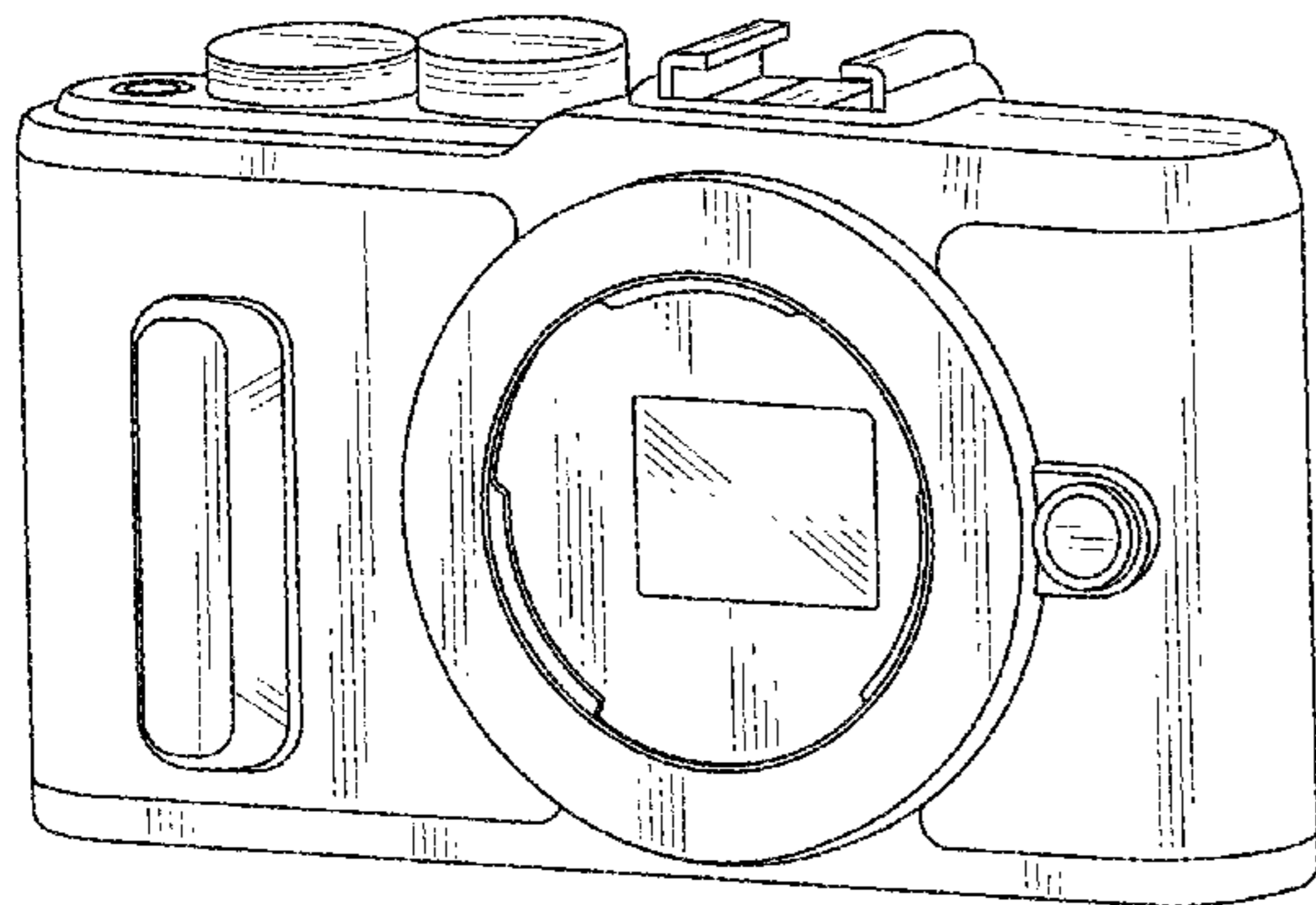
(57) **CLAIM**

The ornamental design for a digital camera body of lens replacing type, as shown.

**DESCRIPTION**

FIG. 1 is a front, top and right side perspective view of a digital camera body of lens replacing type showing my new design;  
FIG. 2 is a rear, top and left side perspective view thereof;  
FIG. 3 is a front elevational view thereof;  
FIG. 4 is a rear elevational view thereof;  
FIG. 5 is a top plan view thereof;  
FIG. 6 is a bottom plan view thereof;  
FIG. 7 is a right side elevational view thereof; and,  
FIG. 8 is a left side elevational view thereof.

**1 Claim, 5 Drawing Sheets**



(56)

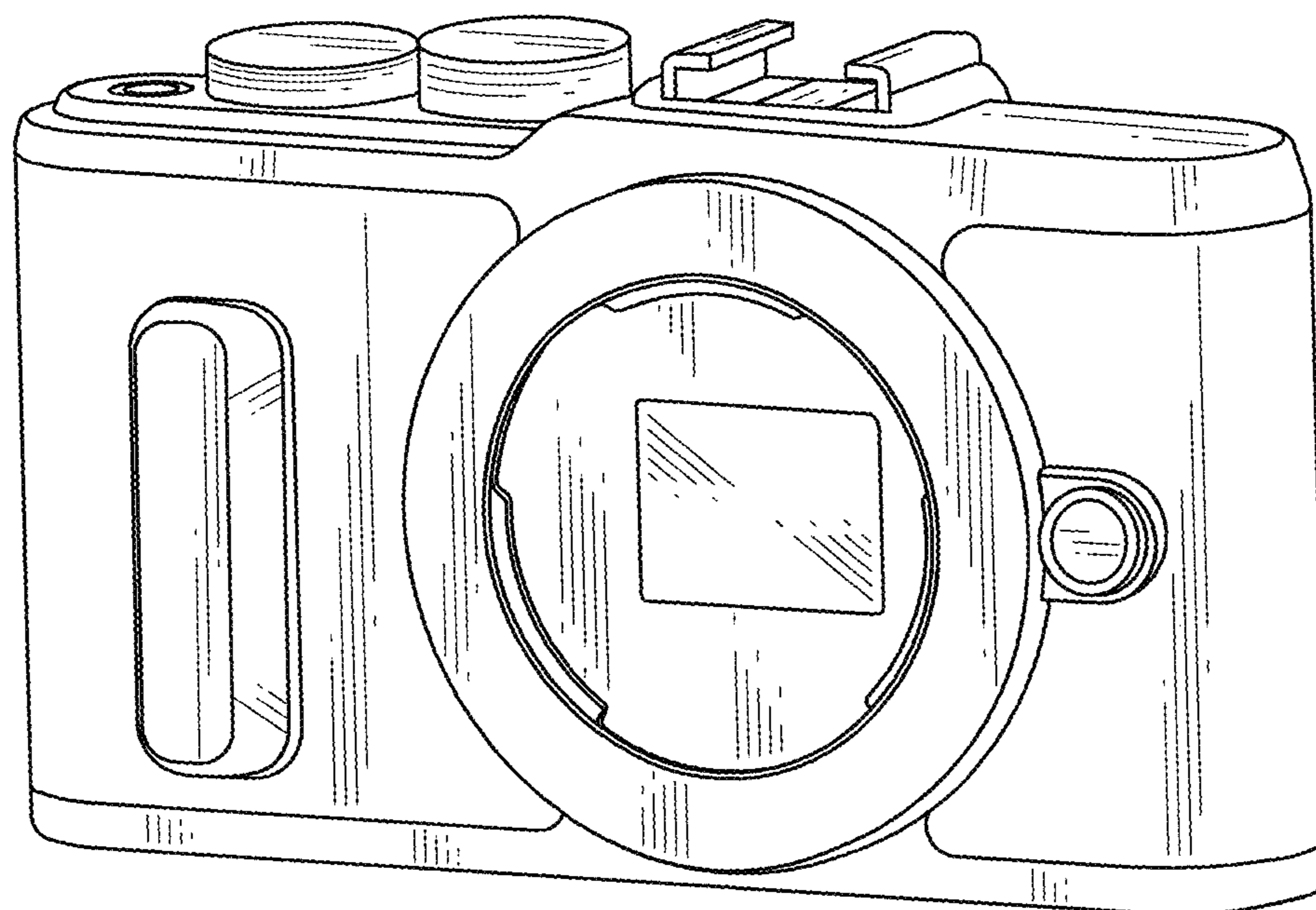
References Cited

U.S. PATENT DOCUMENTS

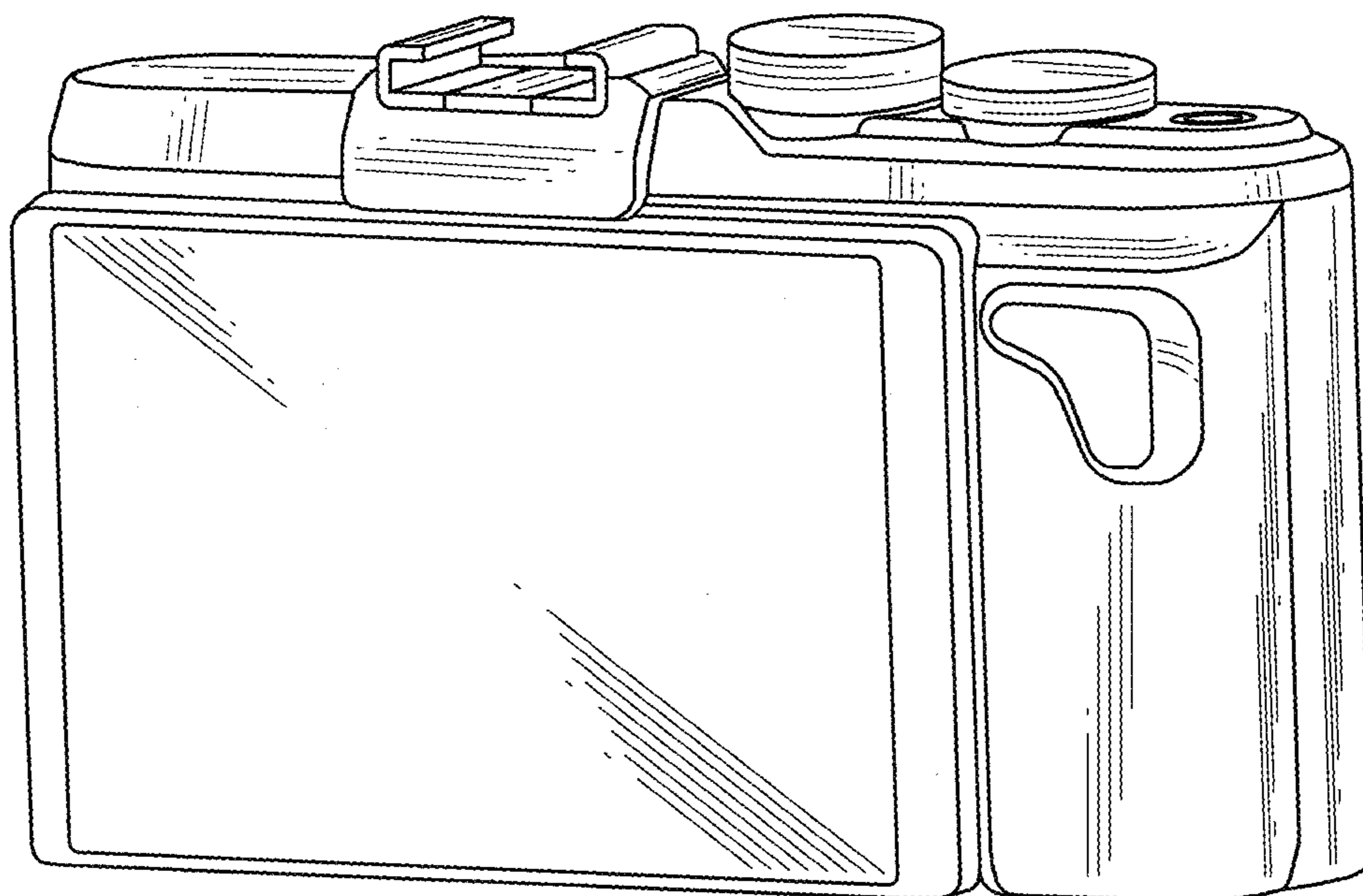
D525,639	S	7/2006	Nakamura	
D532,030	S *	11/2006	Yoshida .....	D16/202
D634,766	S	3/2011	Ham	
D657,408	S *	4/2012	Tainaka .....	D16/202
D695,808	S *	12/2013	Takahashi .....	D16/202
D712,953	S *	9/2014	Nohara .....	D16/200
D713,869	S *	9/2014	Kim .....	D16/202
D716,862	S *	11/2014	Hoshi .....	D16/202
D719,599	S *	12/2014	Fujita .....	D16/202
D720,793	S *	1/2015	Tajima .....	D16/219
D737,355	S *	8/2015	Tainaka .....	D16/202
D775,253	S	12/2016	Kim et al.	
2005/0094027	A1	5/2005	Kano et al.	
2005/0200756	A1	9/2005	Park et al.	
2007/0110433	A1	5/2007	Masahiko et al.	
2010/0013986	A1 *	1/2010	Yamamoto .....	G03B 17/02 348/375
2011/0007133	A1	1/2011	Imanishi et al.	
2014/0146191	A1 *	5/2014	Tsuchiya .....	G02B 27/646 348/208.2
2015/0168816	A1 *	6/2015	Fujiwara .....	G03B 17/563 348/375
2016/0044222	A1 *	2/2016	Endo .....	H04N 5/23293 348/208.16

\* cited by examiner

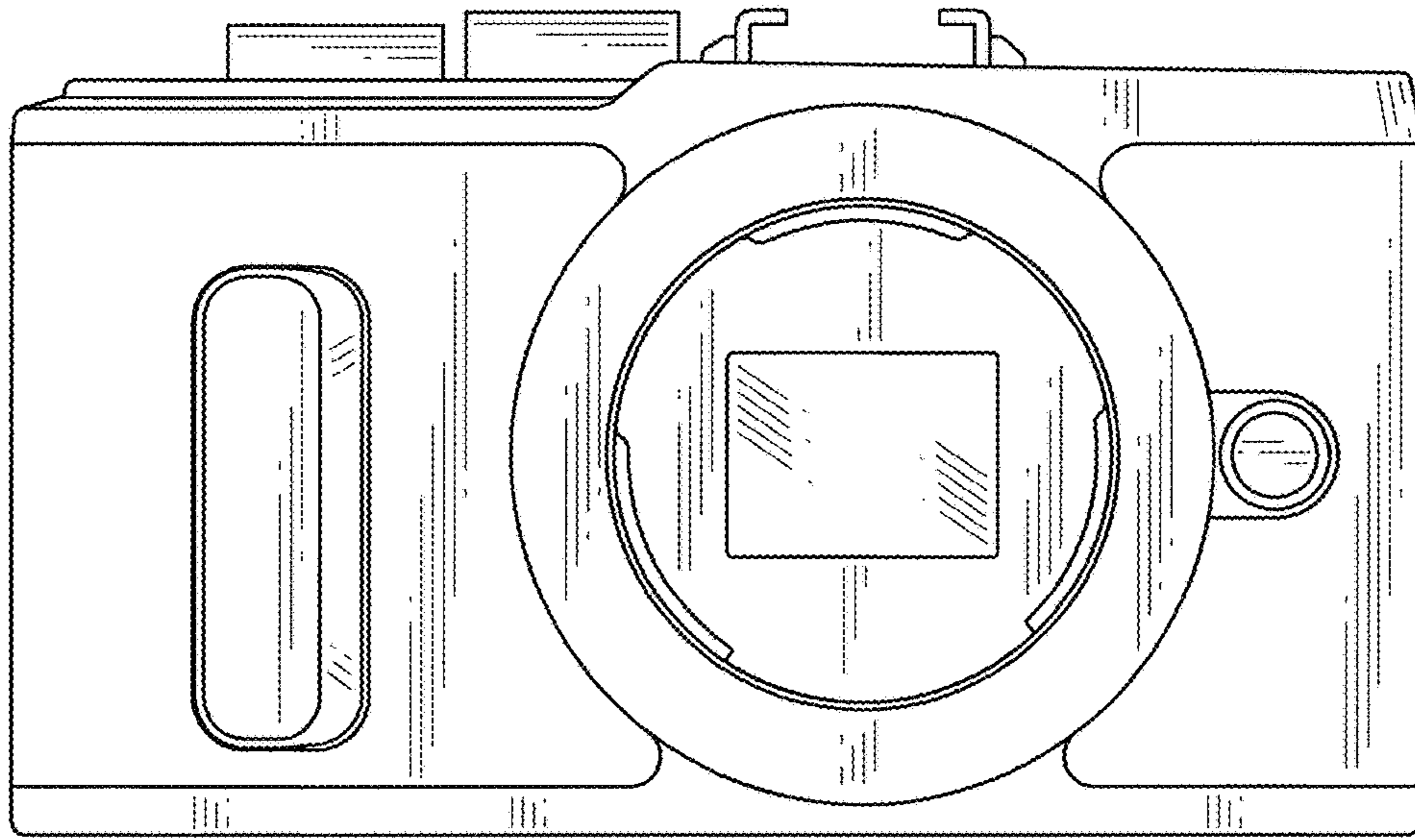
**FIG.1**



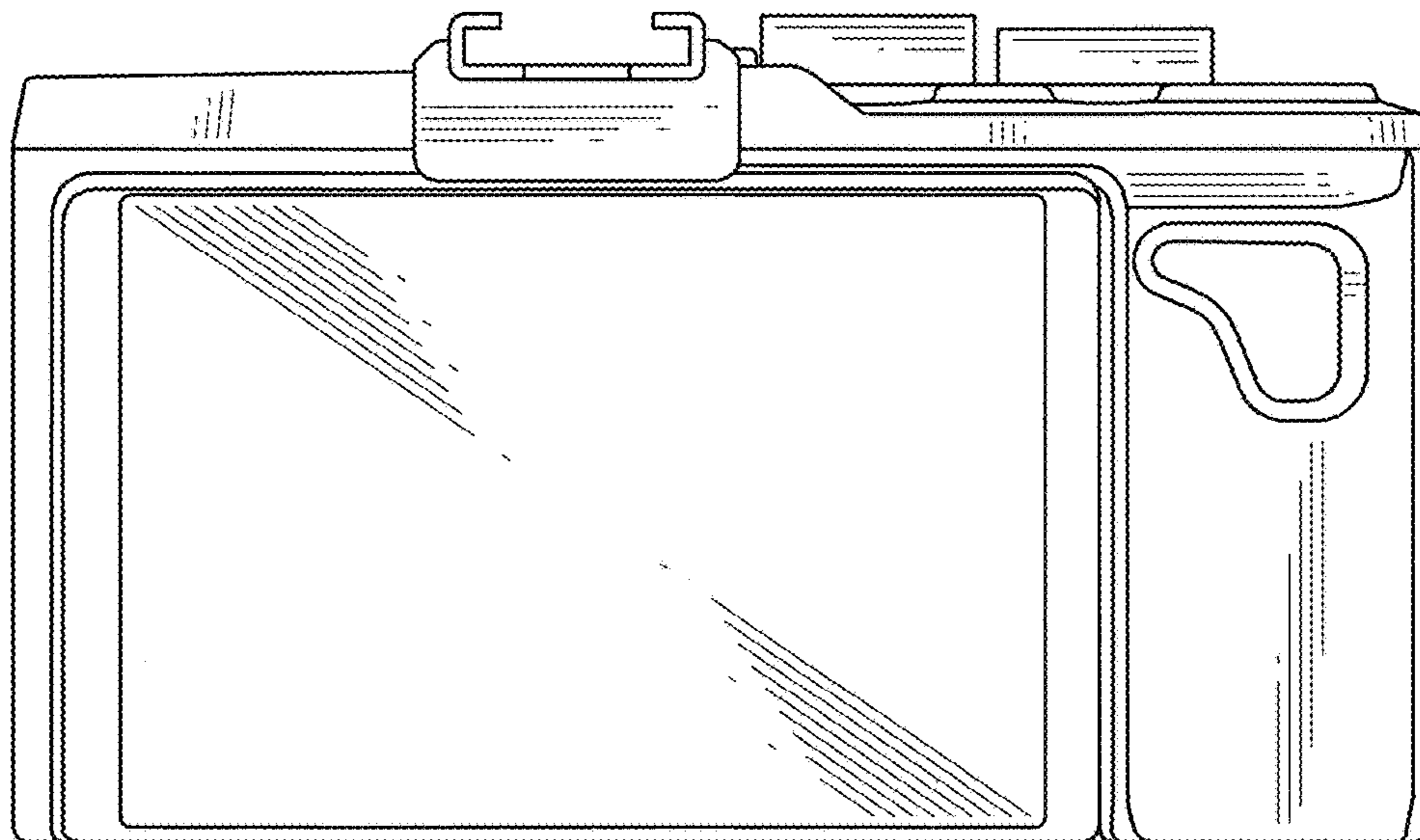
**FIG.2**



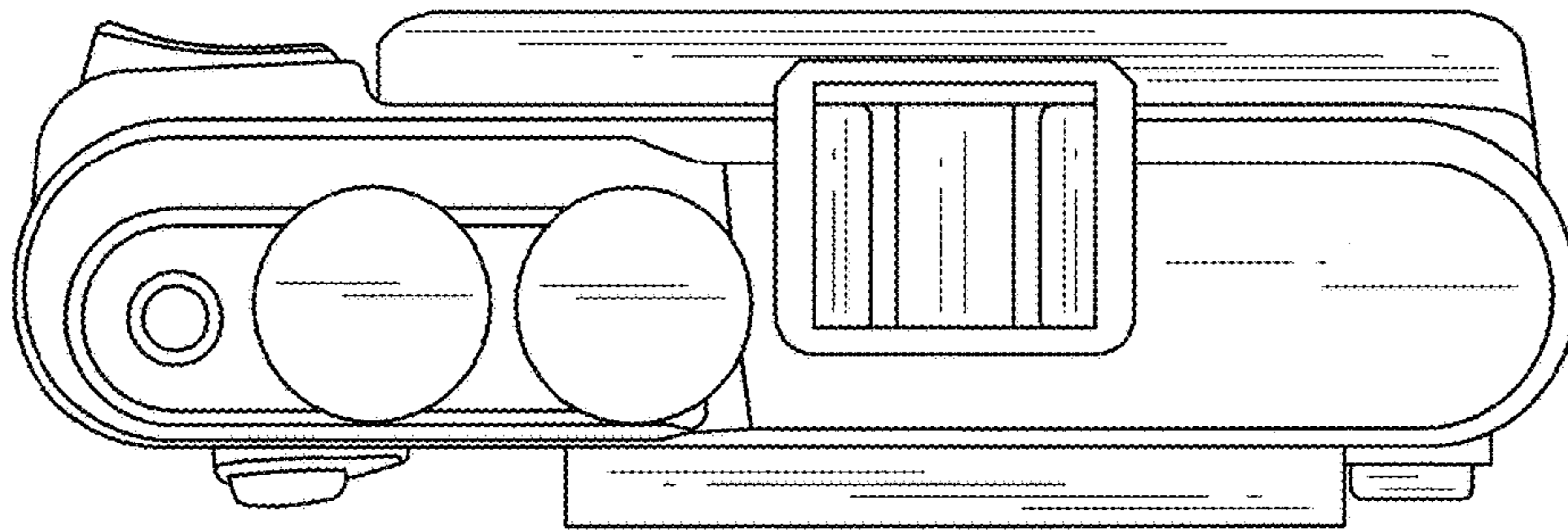
**FIG.3**



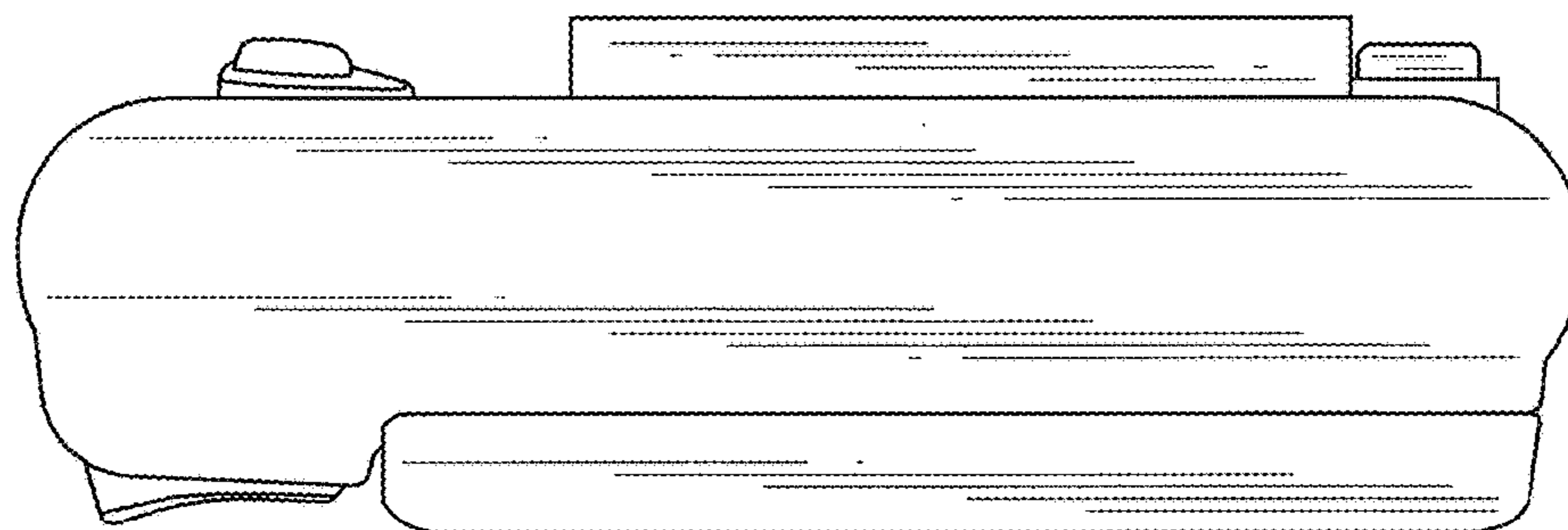
**FIG.4**



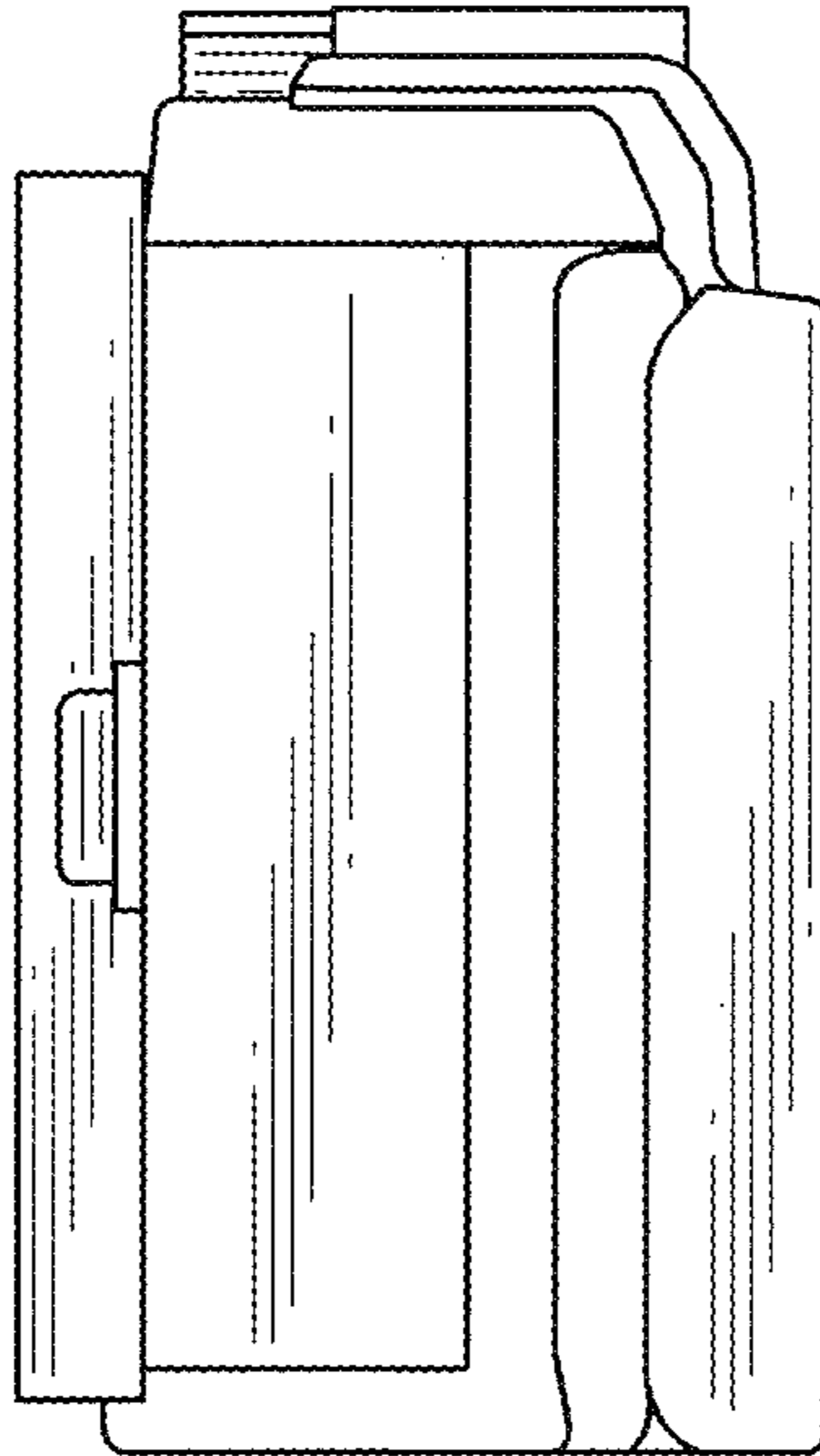
**FIG.5**



**FIG.6**



**FIG.7**



**FIG.8**

