



US00D816753S

(12) **United States Design Patent**
Zhang

(10) **Patent No.:** **US D816,753 S**

(45) **Date of Patent:** **** May 1, 2018**

(54) **CAMCORDER**

(71) Applicant: **Shenzhen Hongfeng Century Technology Ltd., Shenzhen (CN)**

(72) Inventor: **Hongbing Zhang, Shenzhen (CN)**

(**) Term: **15 Years**

(21) Appl. No.: **29/576,533**

(22) Filed: **Sep. 2, 2016**

(51) **LOC (11) Cl.** **16-01**

(52) **U.S. Cl.**
USPC **D16/202**

(58) **Field of Classification Search**
USPC D16/200, 202–206, 208, 209, 218, 219;
348/294, 373–376; 359/826; 396/6, 301,
396/529, 535, 539–541
CPC G03B 15/03; G03B 17/02; G03B 17/04;
G03B 17/56; G03B 19/04; H04N 5/2251;
H04N 5/2252; H04N 5/2253; H04N
5/2254; H04N 2101/00
See application file for complete search history.

(56) **References Cited**

U.S. PATENT DOCUMENTS

D721,395 S *	1/2015	Woodman	D16/218
D737,879 S *	9/2015	Woodman	D16/218
D750,686 S *	3/2016	Chen	D16/218
D751,131 S *	3/2016	Woodman	D16/218
D760,309 S *	6/2016	Parfitt	D16/202

D766,351 S *	9/2016	Li	D16/202
D769,346 S *	10/2016	Nguyen	D16/218
D772,966 S *	11/2016	Song	D16/200
D775,254 S *	12/2016	Parfitt	D16/202
D785,692 S *	5/2017	Wang	D16/200
2003/0035052 A1*	2/2003	Baron	H04N 5/232 348/207.99
2005/0212959 A1*	9/2005	Manabe	G03B 17/04 348/375
2006/0233545 A1*	10/2006	Senba	G03B 17/14 396/529

* cited by examiner

Primary Examiner — Philip S Hyder

Assistant Examiner — Ramzi Almatrahi

(74) *Attorney, Agent, or Firm* — Tsz Lung Yeung

(57) **CLAIM**

The ornamental design for a camcorder, as shown and described.

DESCRIPTION

FIG. 1 is a perspective view of a camcorder in accordance with the present invention.

FIG. 2 is a front view thereof.

FIG. 3 is a rear view thereof.

FIG. 4 is a left side view thereof.

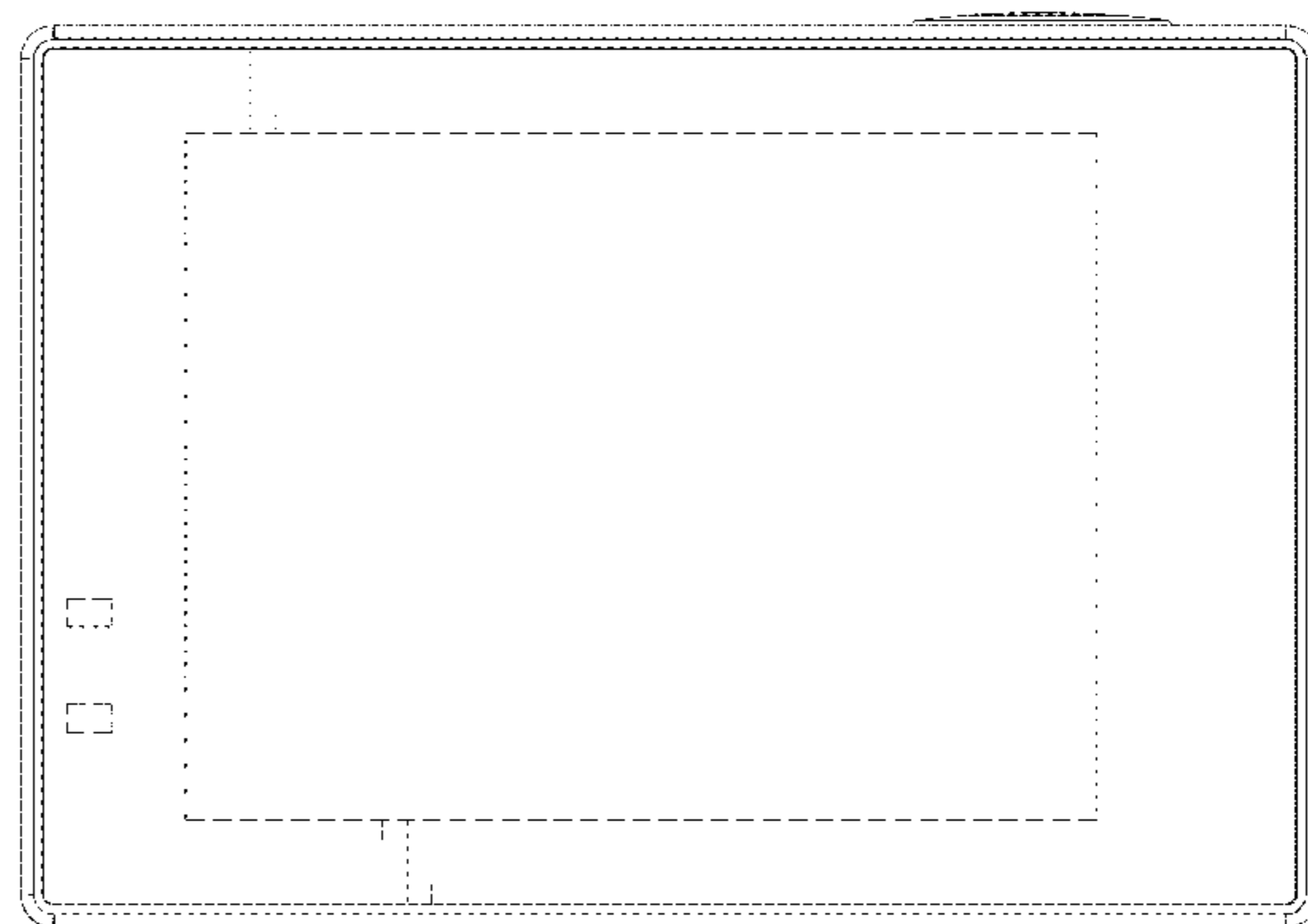
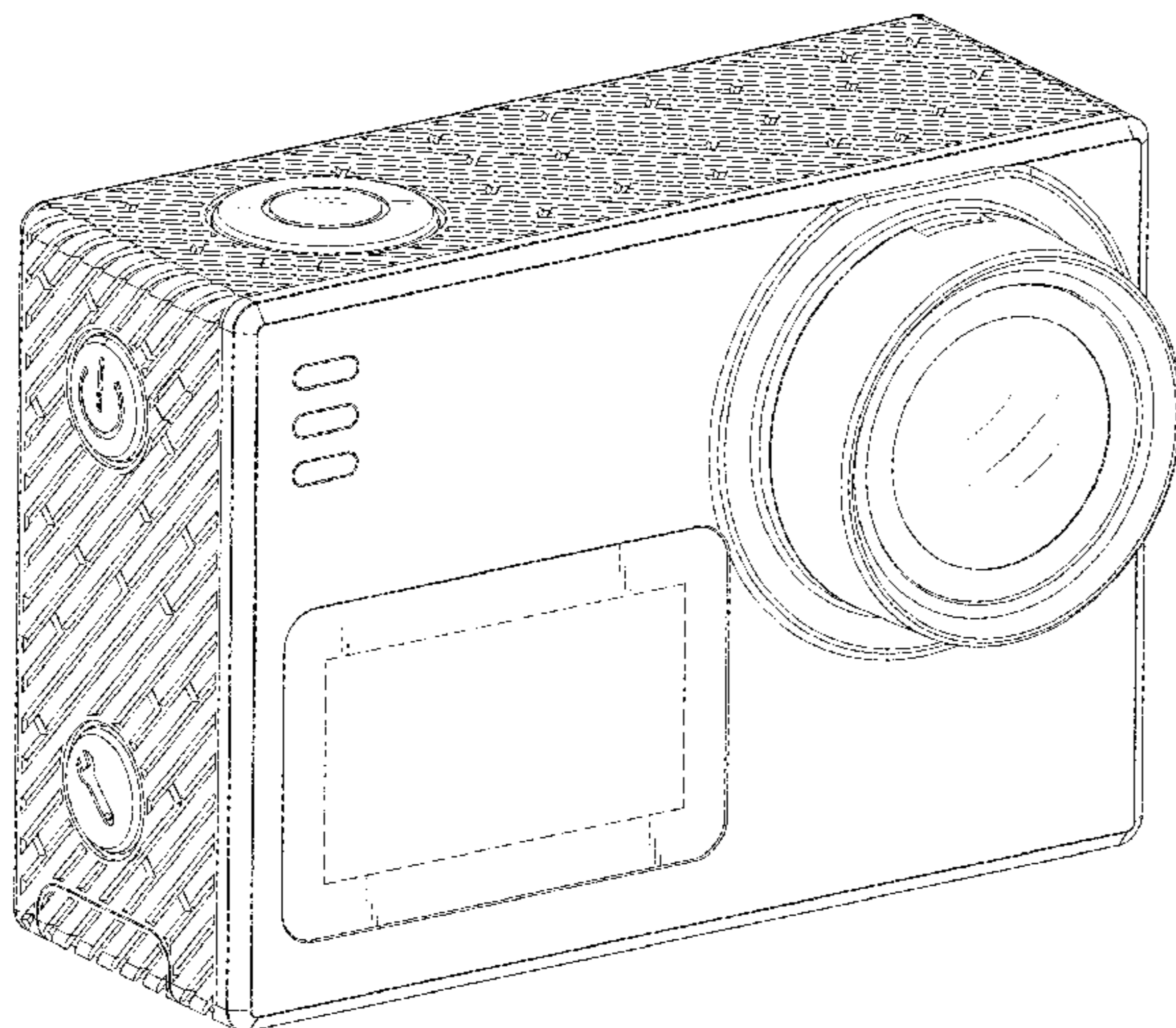
FIG. 5 is a right side view thereof.

FIG. 6 is a top view thereof; and,

FIG. 7 is a bottom view thereof.

The broken lines in the drawings represent unclaimed environmental subject matter and form no part of the claim.

1 Claim, 7 Drawing Sheets



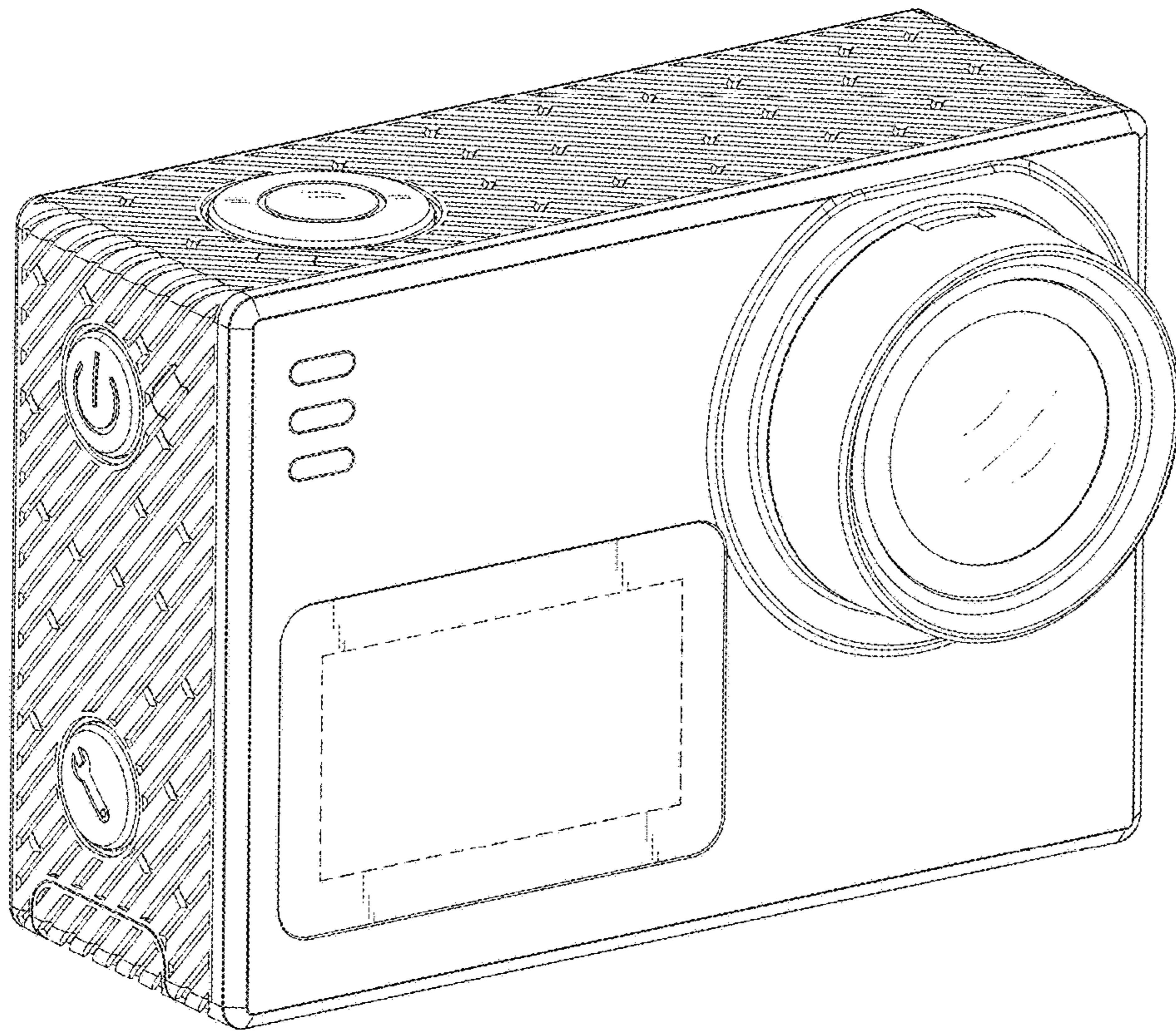


FIG.1

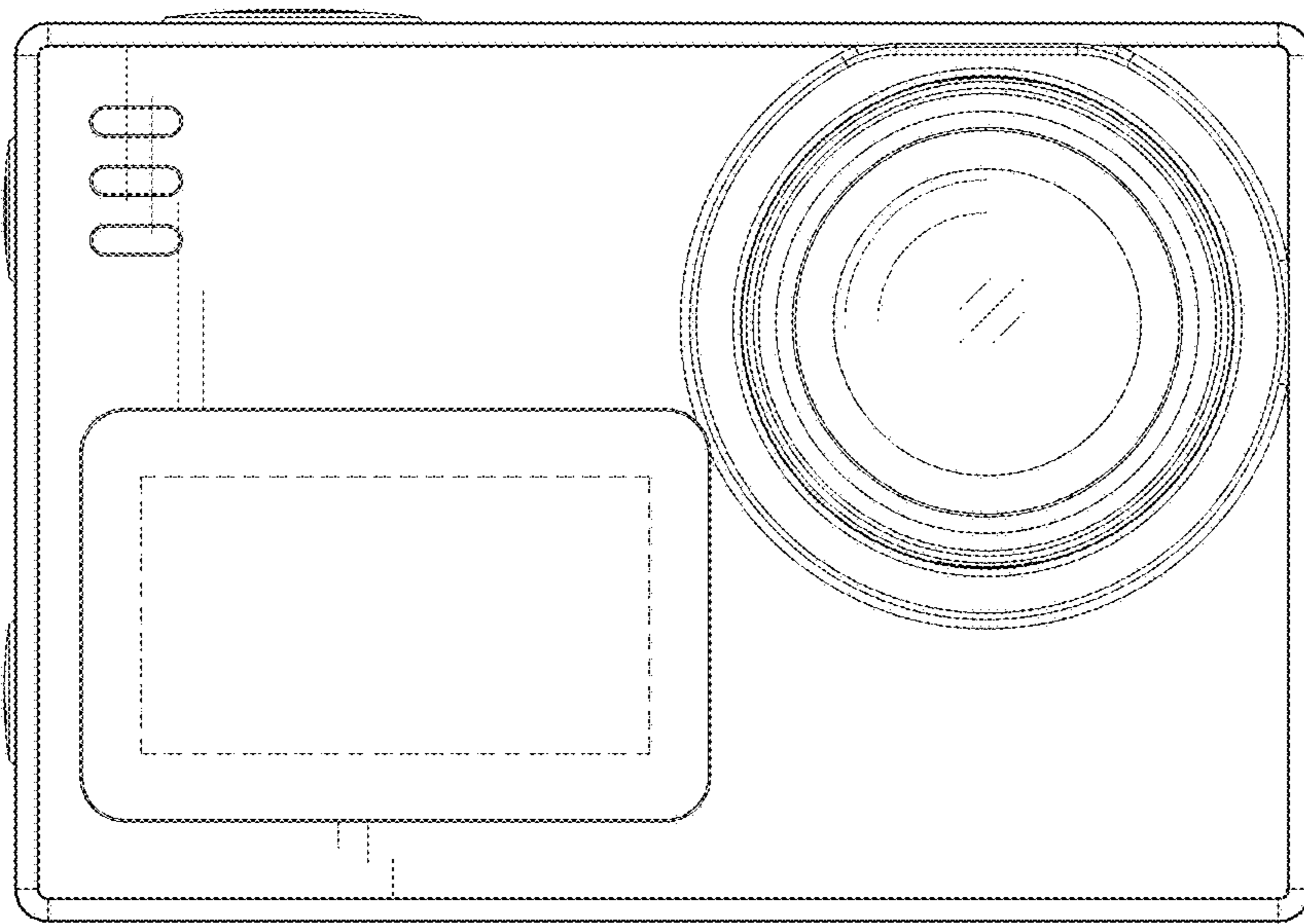


FIG.2

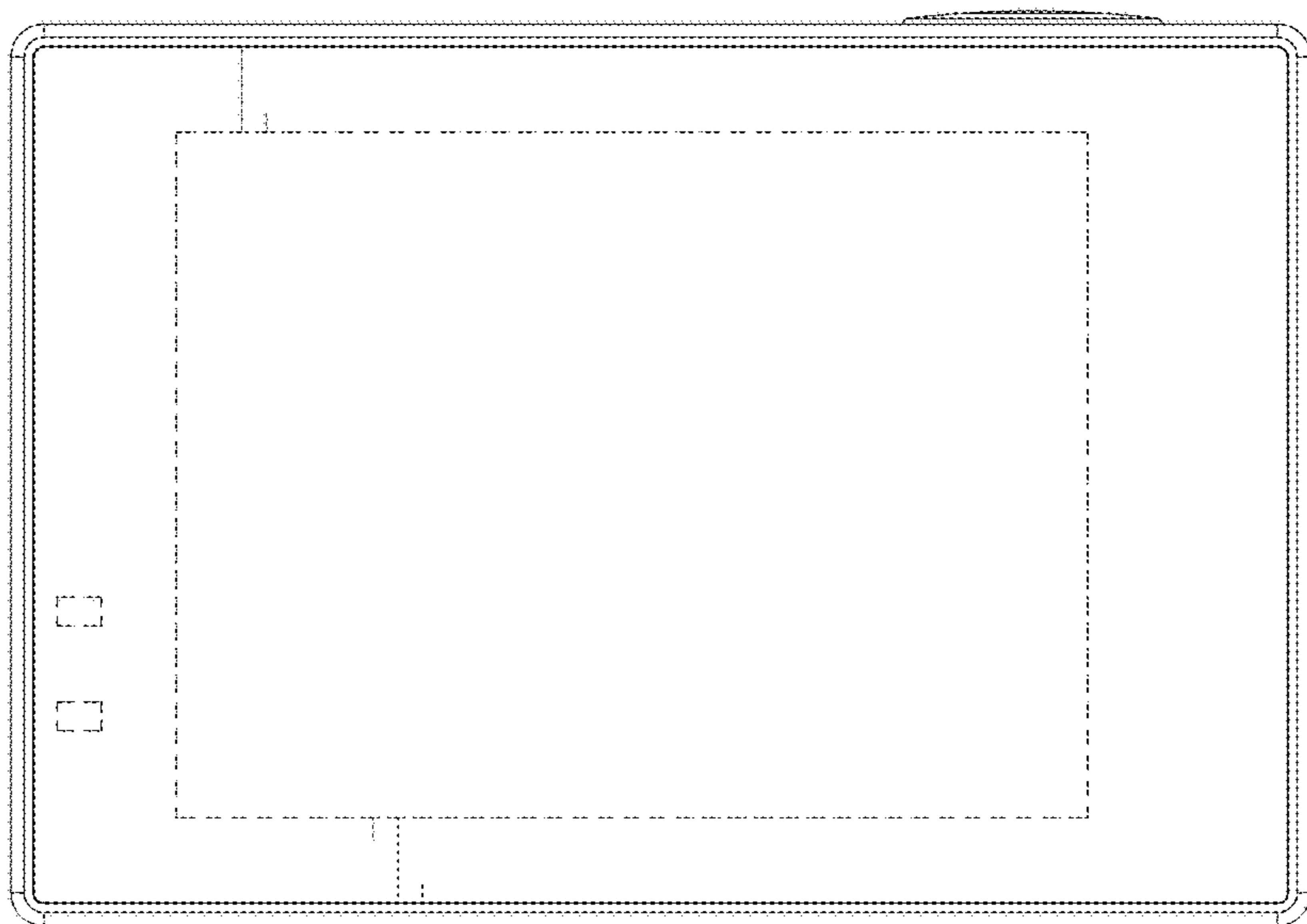


FIG.3

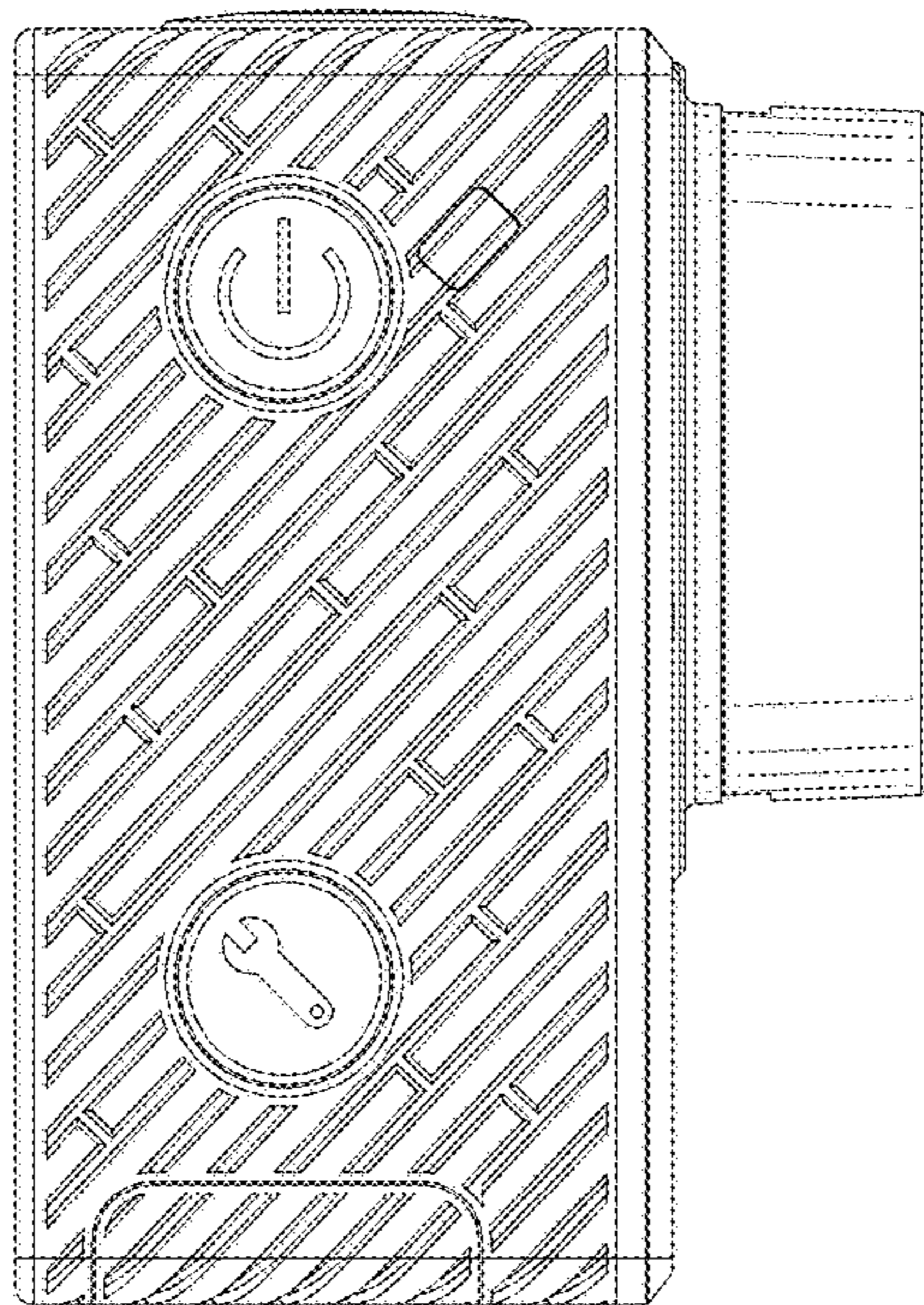


FIG.4

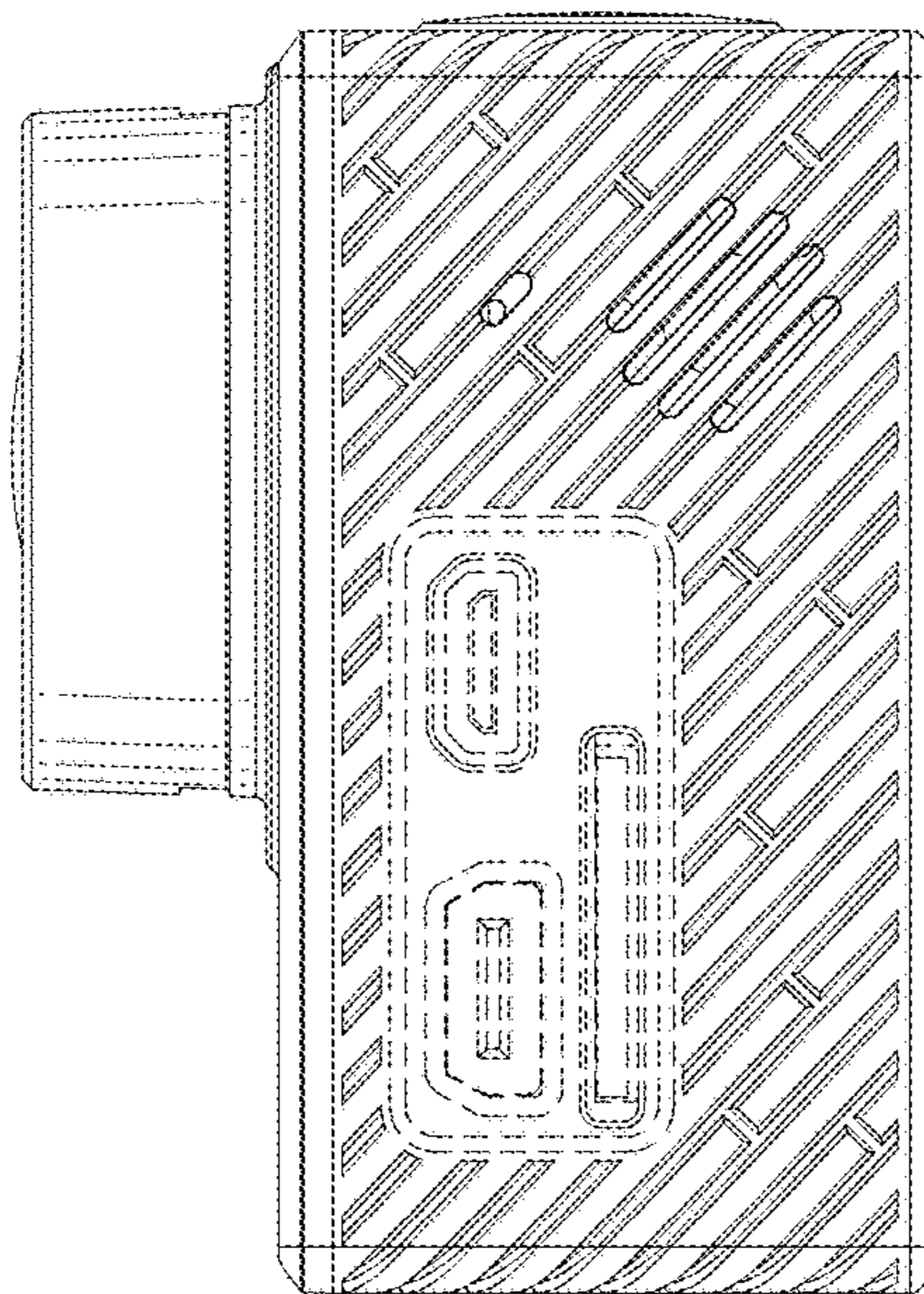


FIG.5

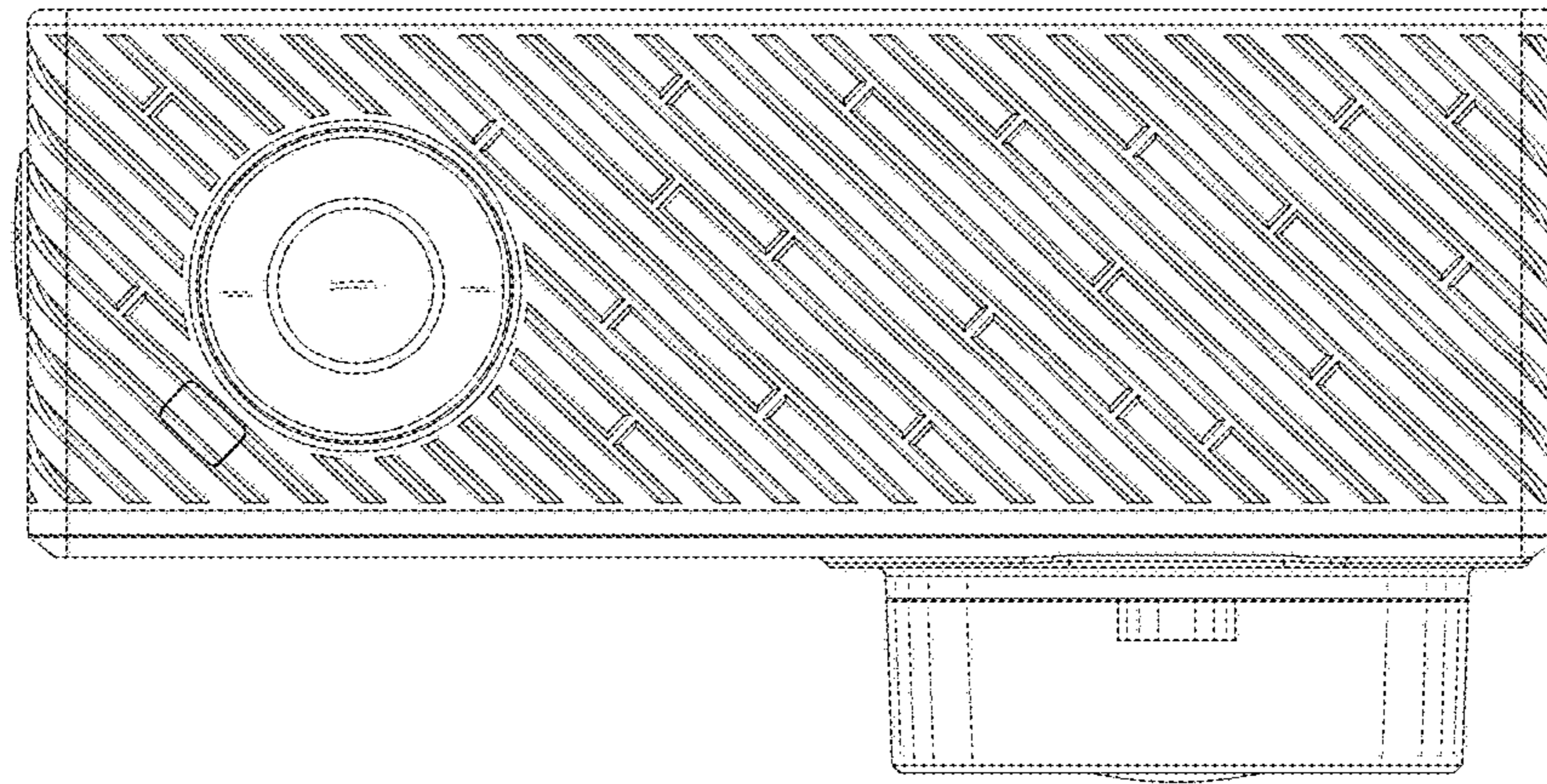


FIG.6

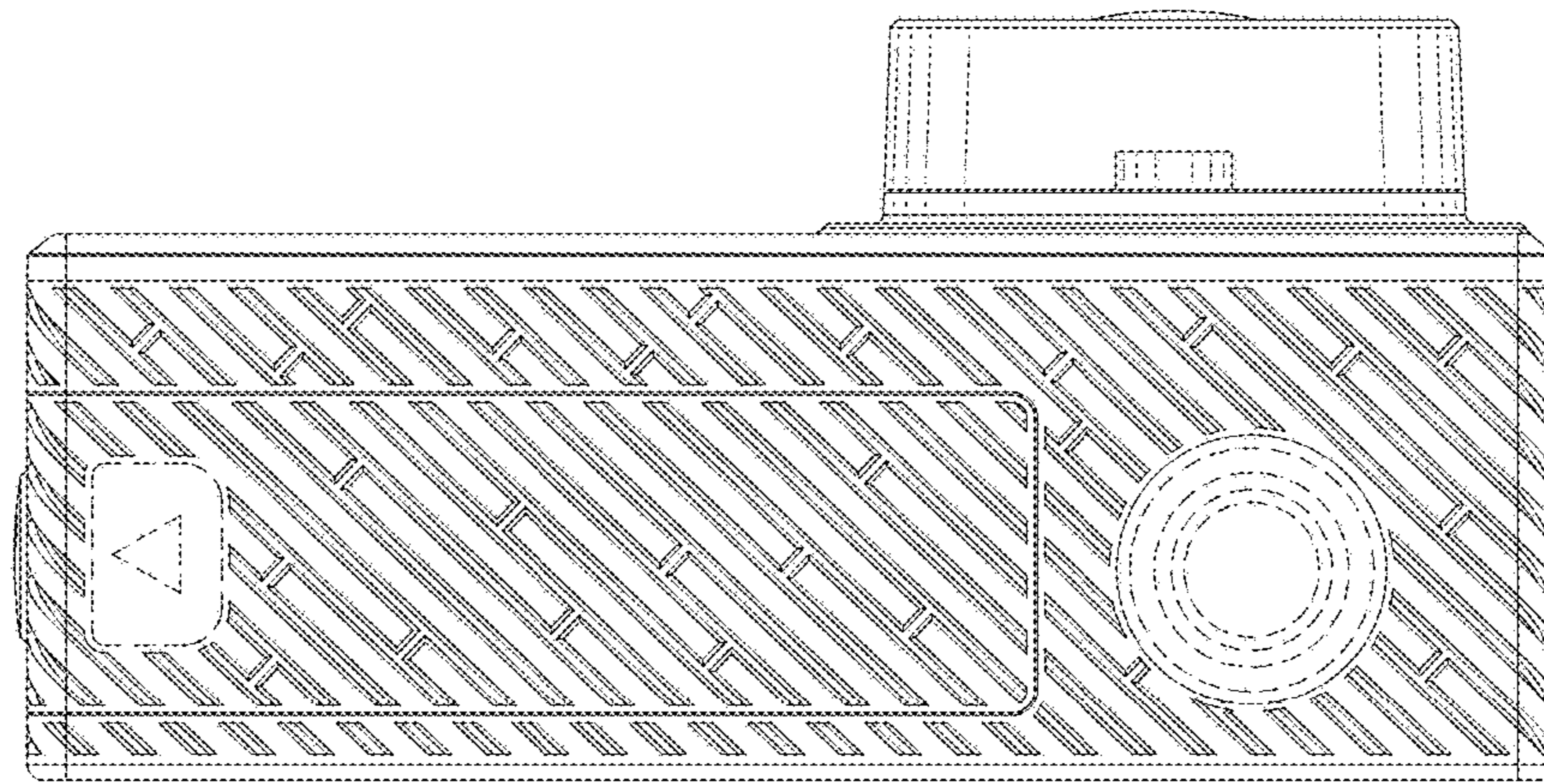


FIG.7