



US00D816752S

(12) **United States Design Patent**
Kim et al.

(10) **Patent No.:** **US D816,752 S**
(45) **Date of Patent:** **** May 1, 2018**

(54) **CAMERA**

(71) Applicant: **LG ELECTRONICS INC.**, Seoul (KR)

(72) Inventors: **Dongsoon Kim**, Seoul (KR); **Chanwoo Park**, Seoul (KR)

(73) Assignee: **LG Electronics Inc.**, Seoul (KR)

(**) Term: **15 Years**

(21) Appl. No.: **29/569,987**

(22) Filed: **Jul. 1, 2016**

(30) **Foreign Application Priority Data**

Jan. 5, 2016 (KR) 30-2016-0000323

(51) **LOC (11) Cl.** **16-01**

(52) **U.S. Cl.**
USPC **D16/202**

(58) **Field of Classification Search**

USPC D16/200–220, 239, 242, 243, 244, 245;
D3/267, 265; D26/140, 26, 138, 142, 60,
D26/61, 62, 63, 106, 107, 128, 131;
D12/187; D14/204, 195, 181, 183, 215,
D14/209, 210, 224
CPC .. A61B 5/00; A61B 17/34; B60R 1/00; B60R
11/04; B64D 47/08; F16M 11/12; G03B
5/00; G03B 7/26; G03B 11/04; G03B
15/00; G03B 17/56; G03B 17/00; G03B
(Continued)

(56) **References Cited**

U.S. PATENT DOCUMENTS

636,811 A * 11/1899 Kirstein A45C 11/04
206/5
2,495,223 A * 1/1950 Bodlander G03B 19/04
396/348

(Continued)

FOREIGN PATENT DOCUMENTS

CN 303959946 * 12/2016
EM 003273002-0001 * 8/2017

(Continued)

OTHER PUBLICATIONS

LG 360 Cam Review, announced Apr. 14, 2016 [online], [site visited Sep. 16, 2017], Available from Internet, URL: <https://www.youtube.com/watch?v=EbG59w6aPTg> @ 0:59.*

Primary Examiner — Barbara Fox

Assistant Examiner — Mary C Ramirez

(74) *Attorney, Agent, or Firm* — Birch, Stewart, Kolasch & Birch, LLP

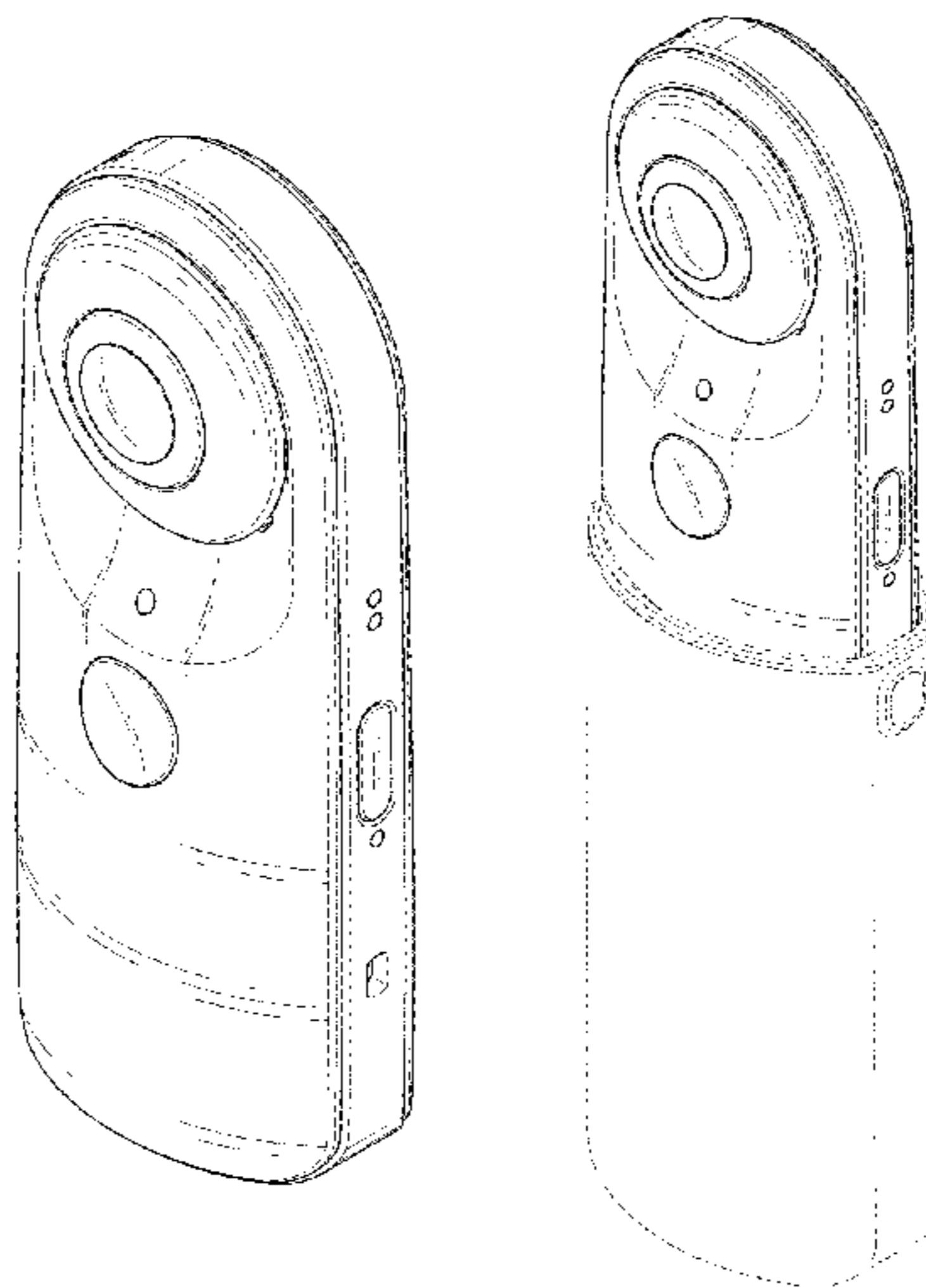
(57) **CLAIM**

The ornamental design for a camera, as shown and described.

DESCRIPTION

FIG. 1 is a front, right side, perspective view of a camera showing our new design;
FIG. 2 is a front view thereof;
FIG. 3 is a rear view thereof;
FIG. 4 is a left side view thereof;
FIG. 5 is a right side view thereof;
FIG. 6 is a top view thereof;
FIG. 7 is a bottom view thereof;
FIG. 8 shows the protective cap for camera partially covering a camera;
FIG. 9 shows the protective cap for camera separated from the camera; and,
FIG. 10 shows the protective cap for camera and camera in an alternate position.
The broken lines in FIG. 7 depict unclaimed portions of the camera and form no part of the claimed design. The broken lines in FIGS. 8-10 showing a protective cap depict environmental subject matter and form no part of the claimed design.

1 Claim, 9 Drawing Sheets



(58) **Field of Classification Search**

CPC 17/55; G03B 17/02; G08B 15/00; G11B
 5/60; G06K 9/00; H04N 5/232; H04N
 5/225; H04N 7/18; H04N 7/173; H04N
 13/02

See application file for complete search history.

(56) **References Cited**

U.S. PATENT DOCUMENTS

D264,975 S * 6/1982 Schlagheck D16/218
 D361,058 S * 8/1995 Domel D13/168
 D381,997 S * 8/1997 Morooka D16/202
 D400,009 S * 10/1998 Conway D3/265
 D436,434 S * 1/2001 Conway D3/203.5
 D437,112 S * 2/2001 Toffoli D3/219
 D441,953 S * 5/2001 Ben Moshe D3/263
 D450,337 S * 11/2001 Hamamura D13/168
 D454,686 S * 3/2002 McCormack D3/263
 D560,360 S * 1/2008 Raile D3/265
 D580,167 S * 11/2008 Jones D3/267

D616,753 S * 6/2010 Beam D9/420
 D617,097 S * 6/2010 Raile D3/263
 D623,407 S * 9/2010 Raile D3/263
 D633,930 S * 3/2011 Dinger D16/202
 D634,764 S * 3/2011 Obata D16/202
 D663,702 S * 7/2012 Naitou D13/168
 D721,753 S * 1/2015 Park D16/202
 D732,594 S * 6/2015 Kawa D16/202
 D741,388 S * 10/2015 Register D16/202
 D751,618 S * 3/2016 Hinkel D16/203
 2012/0206565 A1* 8/2012 Villmer H04N 1/00
 348/36
 2016/0150156 A1* 5/2016 Okumura H04N 5/2253
 348/36

FOREIGN PATENT DOCUMENTS

EM 003327865-0001 * 8/2017
 IN 291788-0001 * 6/2017
 KR 300917796.0000 * 8/2017

* cited by examiner

FIG. 1

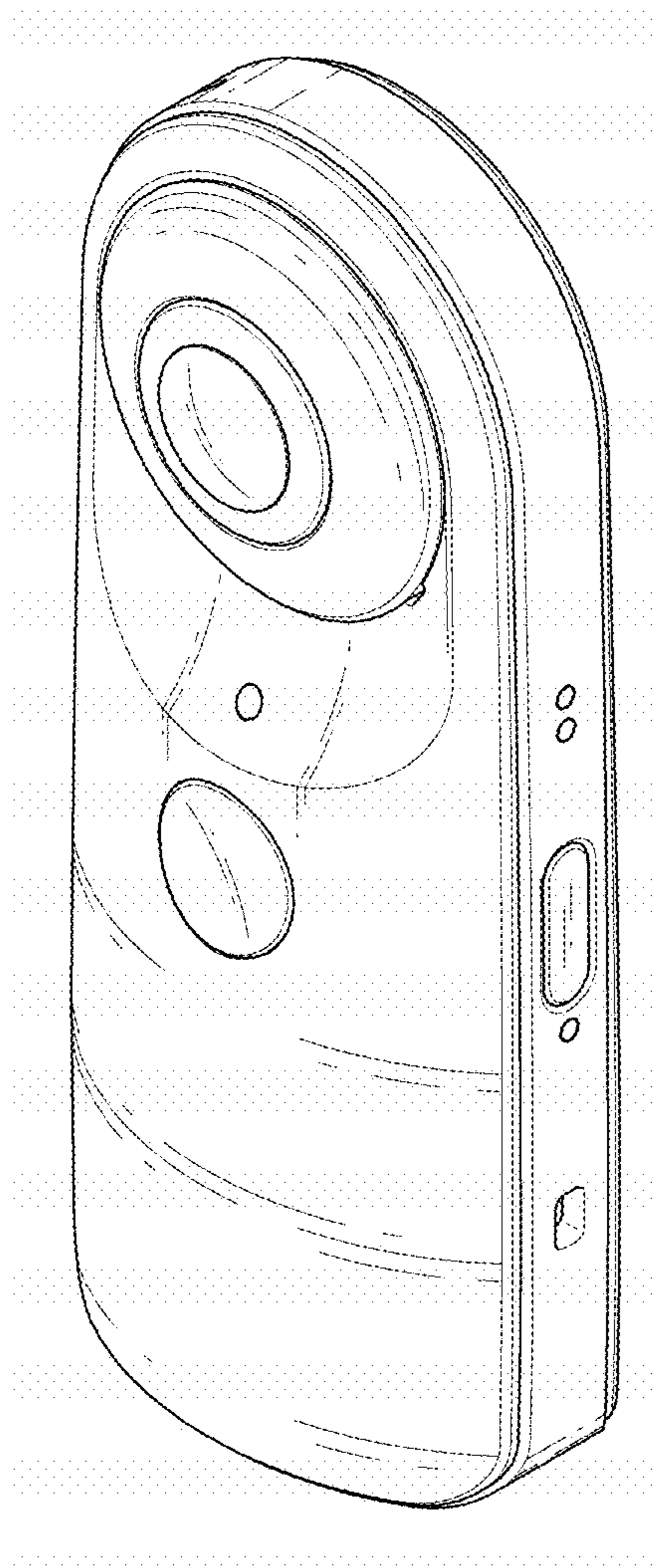


FIG. 2

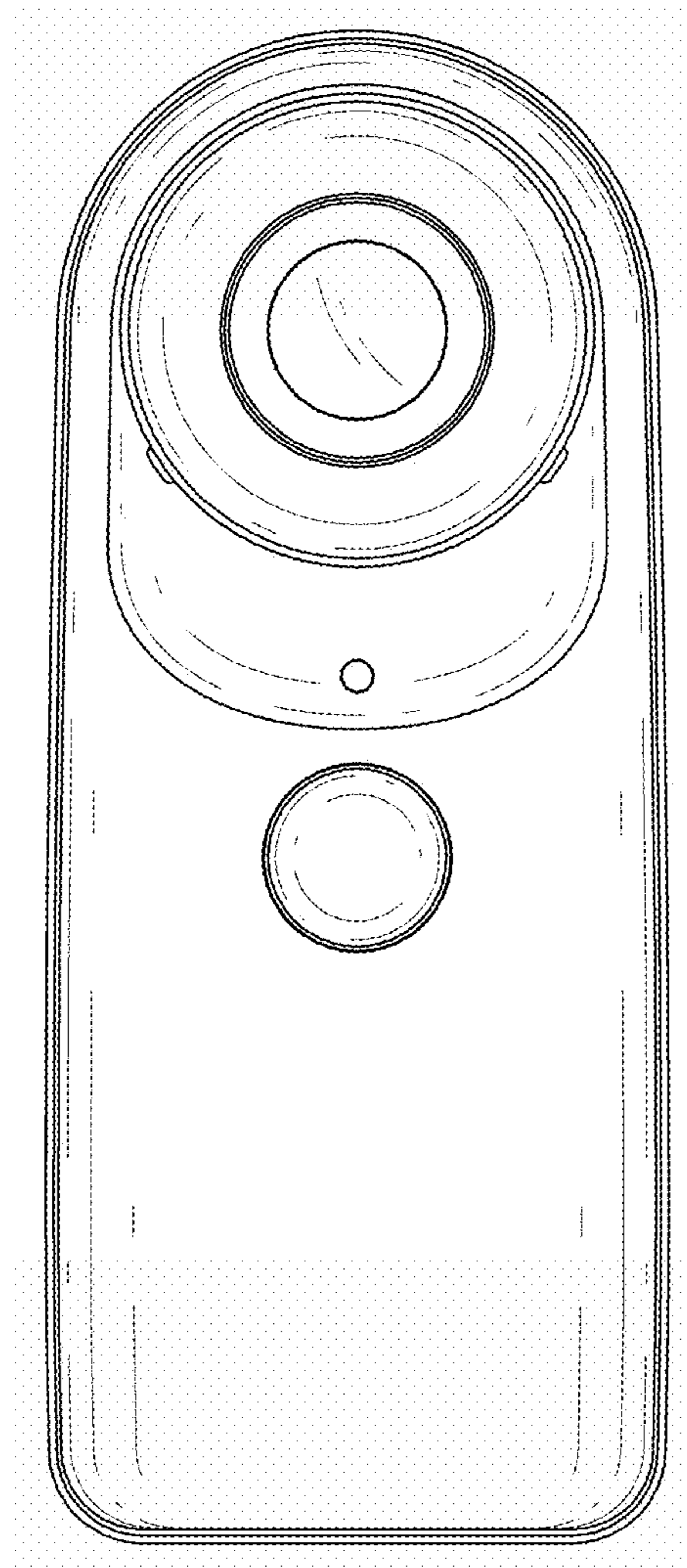


FIG. 3

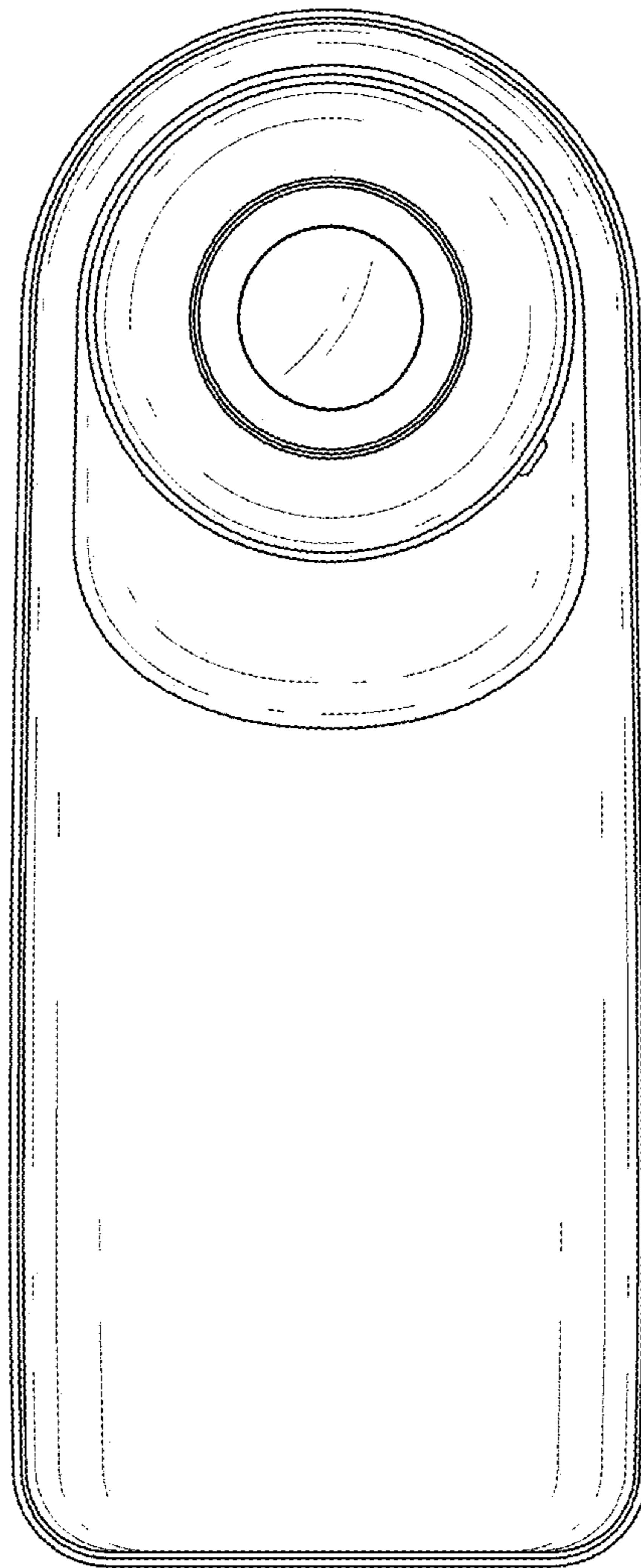


FIG. 4

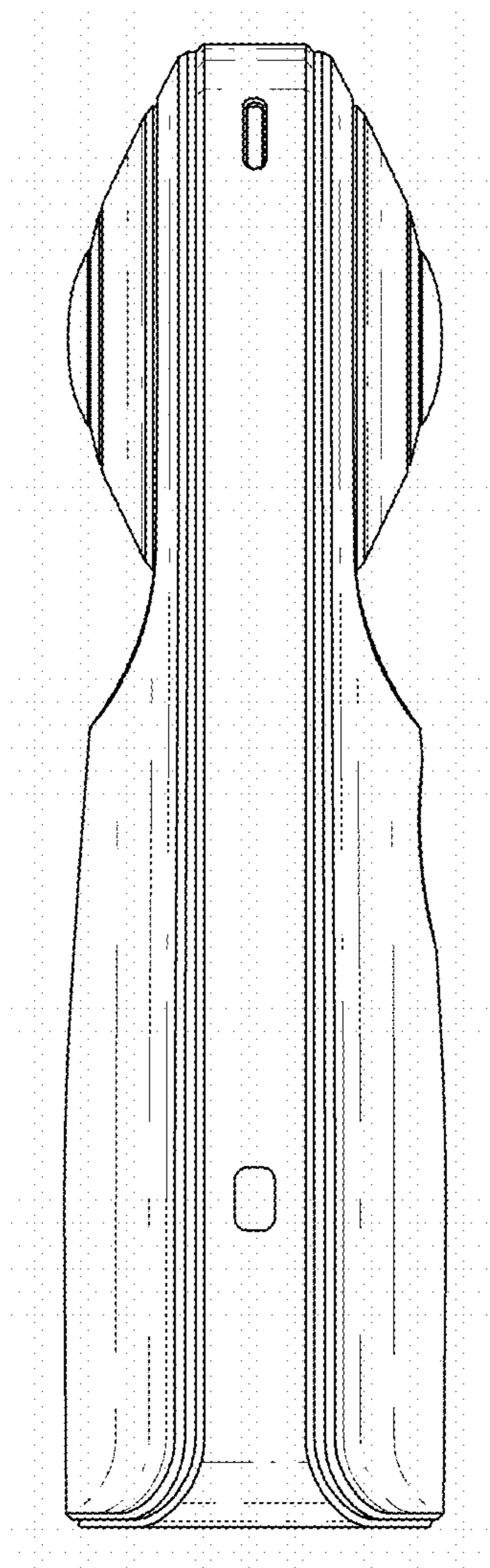


FIG. 5

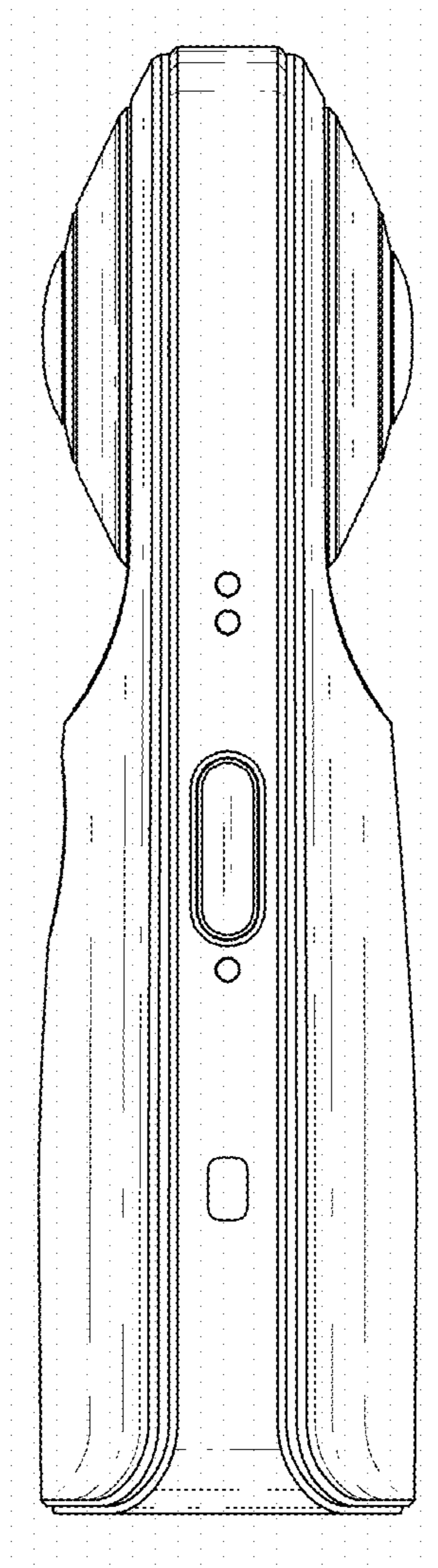


FIG. 6

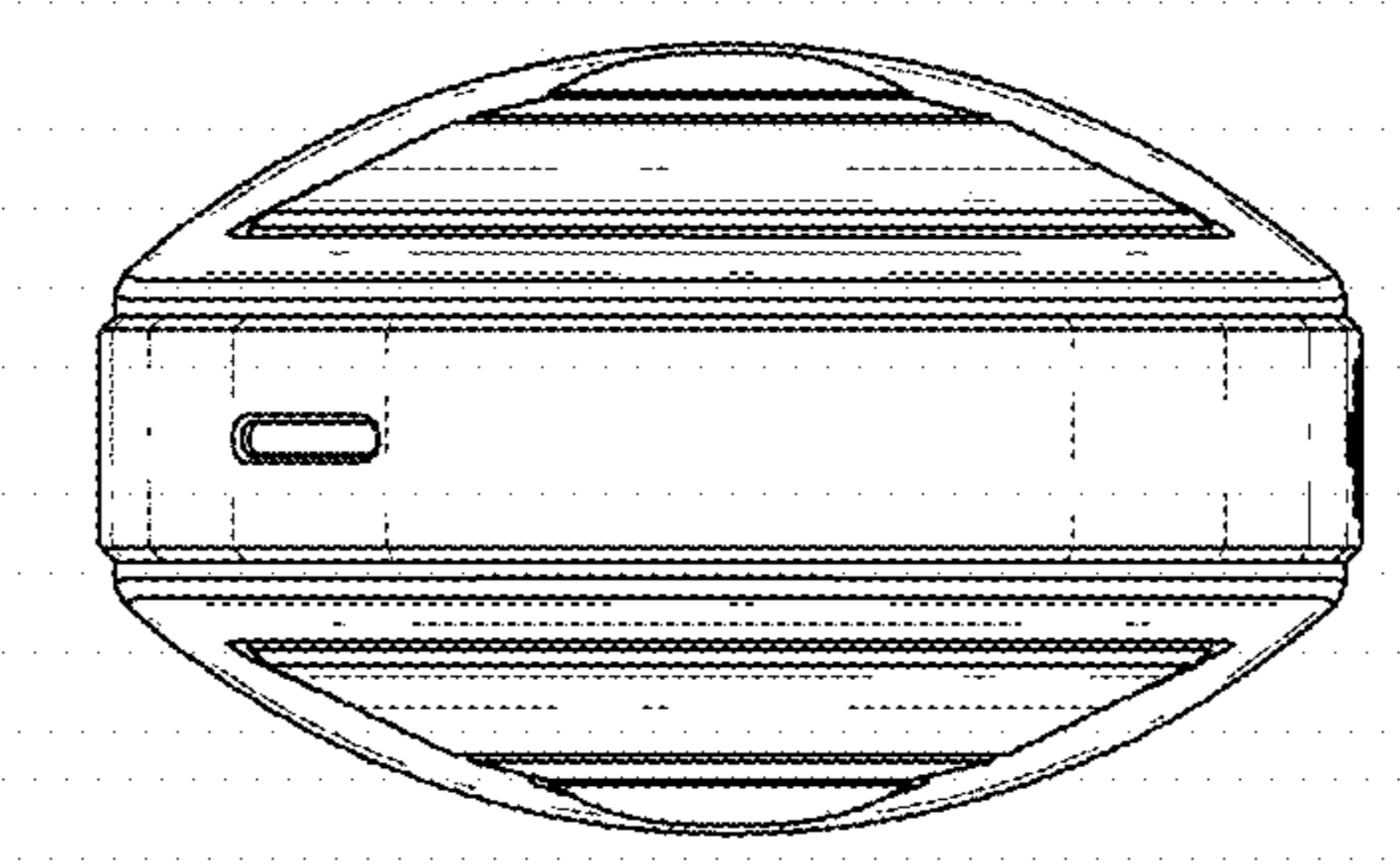


FIG. 7

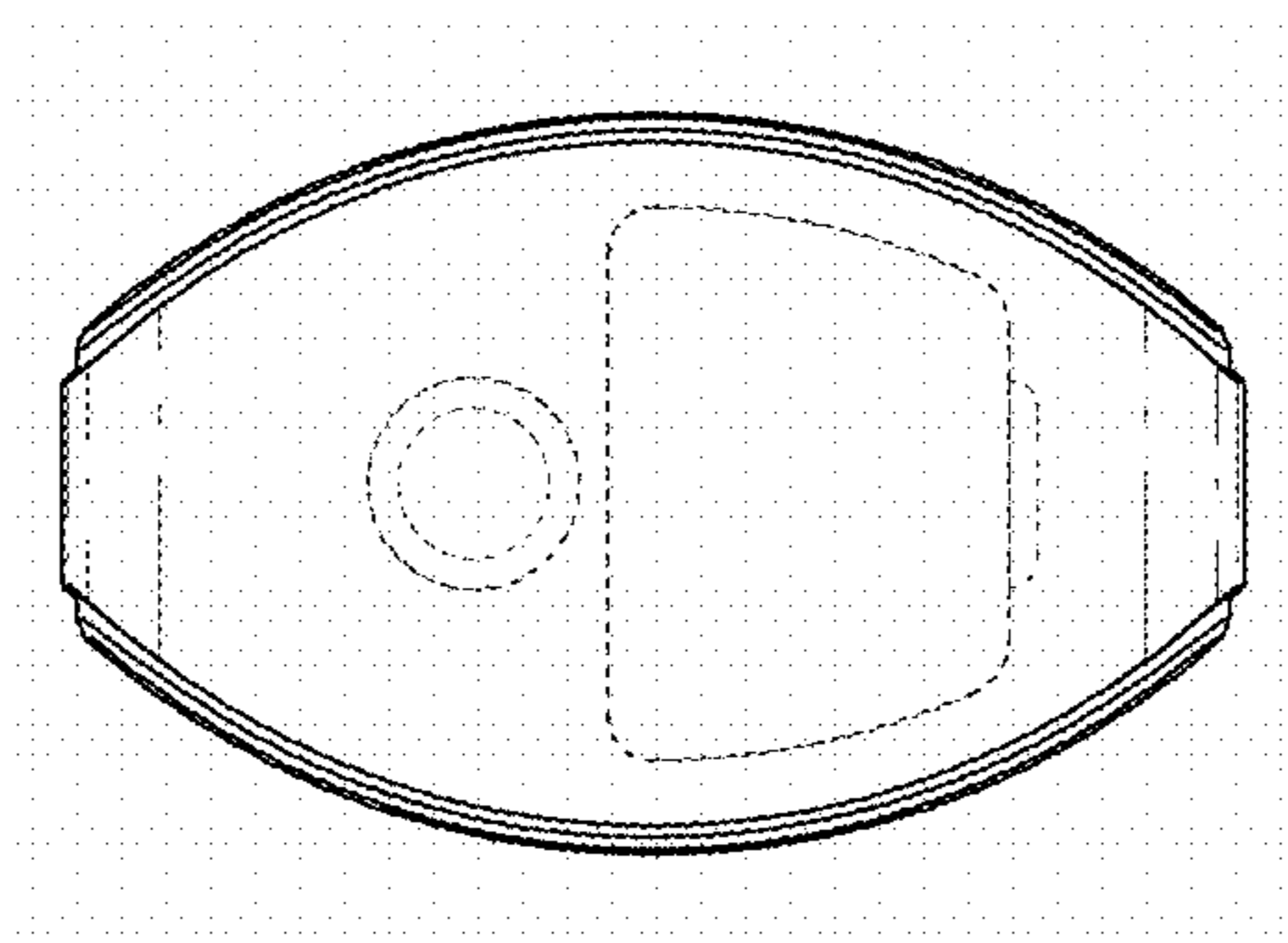


FIG. 8

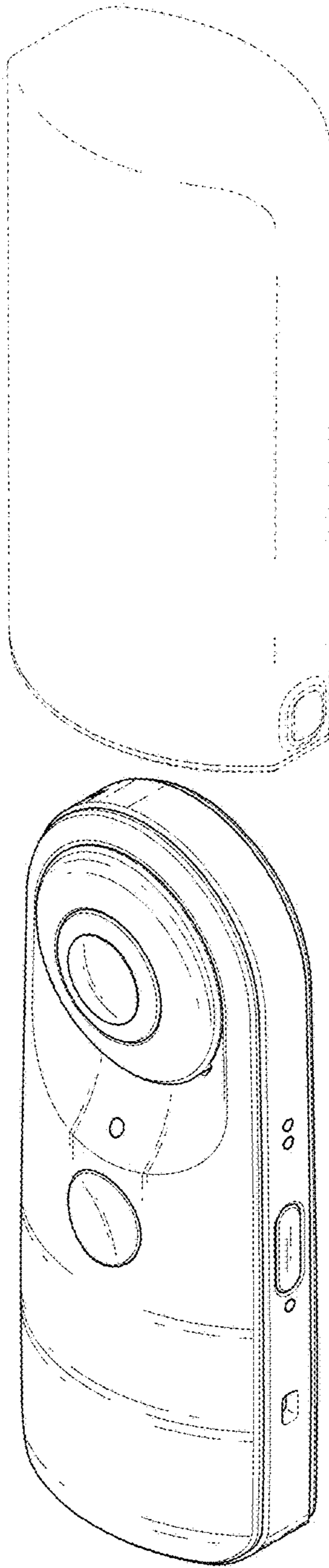


FIG. 9

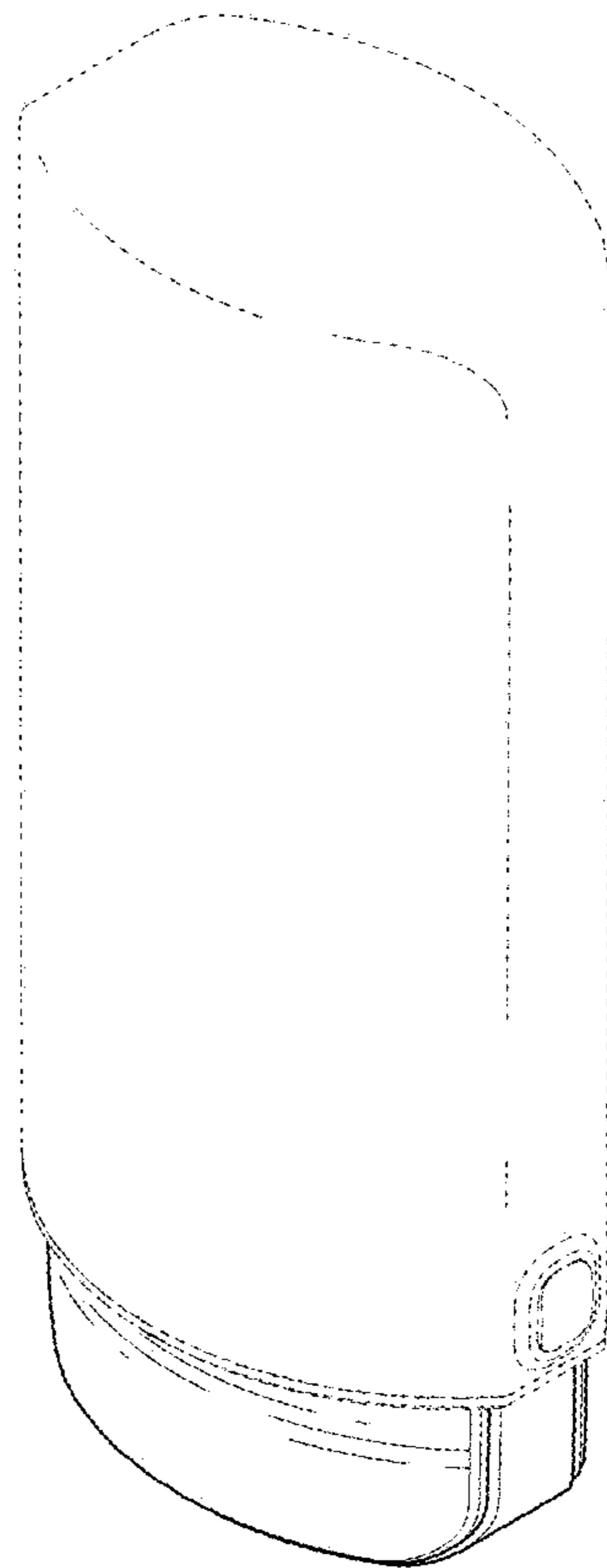


FIG. 10

