



US00D816749S

(12) **United States Design Patent**
Kung

(10) **Patent No.:** **US D816,749 S**

(45) **Date of Patent:** **** May 1, 2018**

(54) **BINOCULARS**

(71) Applicant: **HUNTER OPTICAL CO., LTD**, New Taipei (TW)

(72) Inventor: **Su-Min Kung**, New Taipei (TW)

(73) Assignee: **HUNTER OPTICAL CO., LTD.**, New Taipei (TW)

(**) Term: **15 Years**

(21) Appl. No.: **29/545,330**

(22) Filed: **Nov. 16, 2015**

(51) **LOC (11) Cl.** **16-06**

(52) **U.S. Cl.**
USPC **D16/133**

(58) **Field of Classification Search**
USPC 359/407-420, 480, 481, 552, 555, 579,
359/804, 809, 813-817, 819-822, 831,
359/835; D16/130-136
CPC F41G 3/08
See application file for complete search history.

(56) **References Cited**

U.S. PATENT DOCUMENTS

D474,789 S *	5/2003	Matsushita	D16/133
D479,256 S *	9/2003	Matsushita	D16/133
D486,507 S *	2/2004	Fujii	D16/133
D492,335 S *	6/2004	Watanabe	D16/133
D523,047 S *	6/2006	Swift	D16/133
D551,272 S *	9/2007	Fujii	D16/133
D567,275 S *	4/2008	Hayamizu	D16/133
D590,855 S *	4/2009	Watanabe	D16/133
D590,856 S *	4/2009	Hayamizu	D16/133
D590,857 S *	4/2009	Fujii	D16/133

D602,059 S *	10/2009	Inaba	D16/133
D627,378 S *	11/2010	Watanabe	D16/133
D628,610 S *	12/2010	Suzuki	D16/133
D646,311 S *	10/2011	Hoelbl	D16/133
D660,895 S *	5/2012	Fischbach	D16/133
D662,119 S *	6/2012	Hoshi	D16/133
D671,974 S *	12/2012	Wunnicke	D16/133
D681,709 S *	5/2013	Radau	D16/133
D684,202 S *	6/2013	Radau	D16/133
D687,081 S *	7/2013	Radau	D16/133
D693,867 S *	11/2013	Radau	D16/133
D700,644 S *	3/2014	Asano	D16/133
D713,437 S *	9/2014	Soejima	D16/133
D716,859 S *	11/2014	Nakajima	D16/133
D719,201 S *	12/2014	Marsiglia	D16/133
D748,177 S *	1/2016	Radau	D16/133

* cited by examiner

Primary Examiner — Susan Bennett Hattan
Assistant Examiner — Jennifer M Campbell

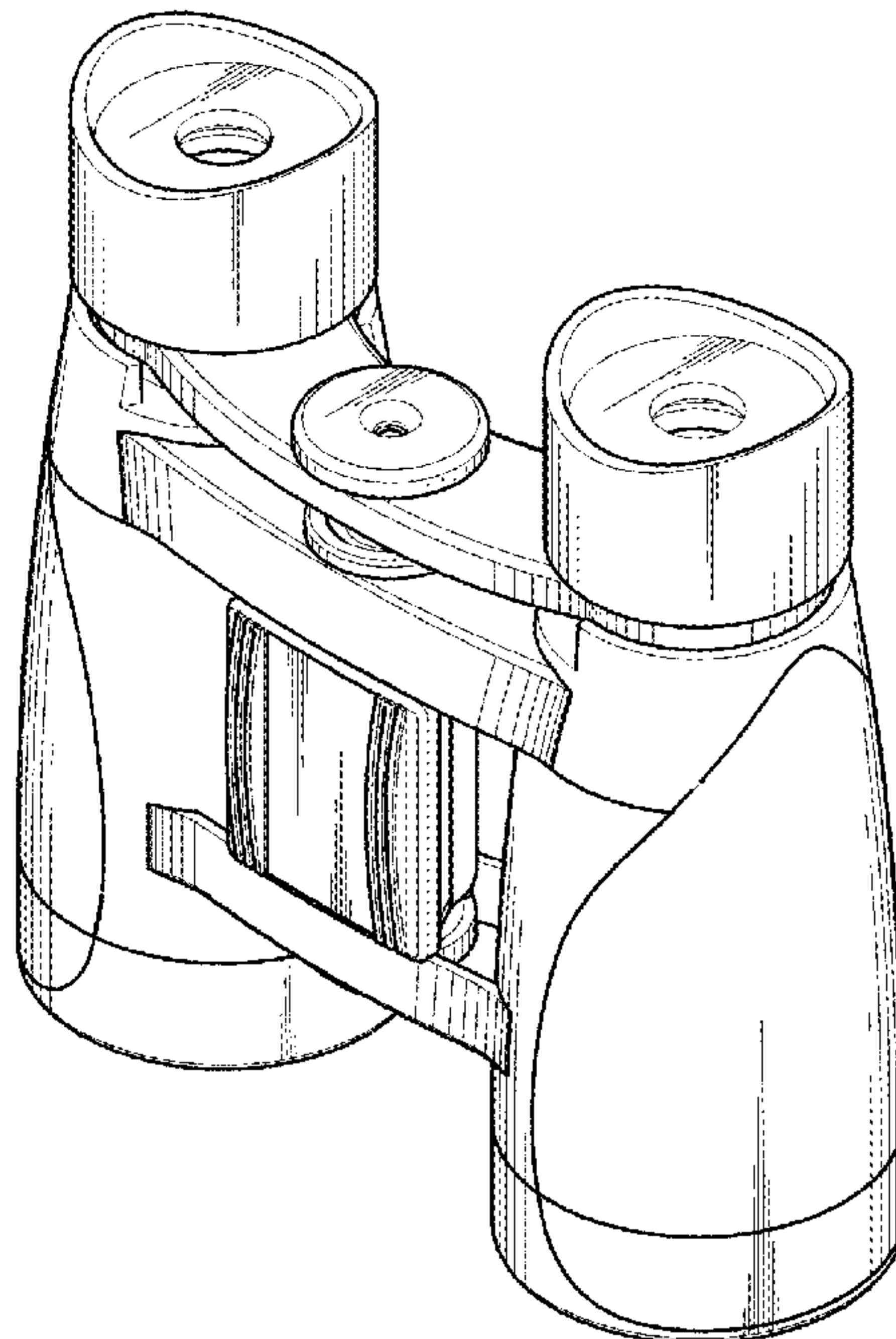
(57) **CLAIM**

The ornamental design for binoculars, as shown and described.

DESCRIPTION

FIG. 1 is a perspective view of a binoculars showing my new design;
FIG. 2 is a front elevational view thereof;
FIG. 3 is a rear elevational view thereof;
FIG. 4 is a left side elevational view thereof;
FIG. 5 is a right side elevational view thereof;
FIG. 6 is a top plan view thereof; and,
FIG. 7 is a bottom plan view thereof.
The broken lines in the figures depict portions of the binoculars that form no part of the claimed invention.

1 Claim, 7 Drawing Sheets



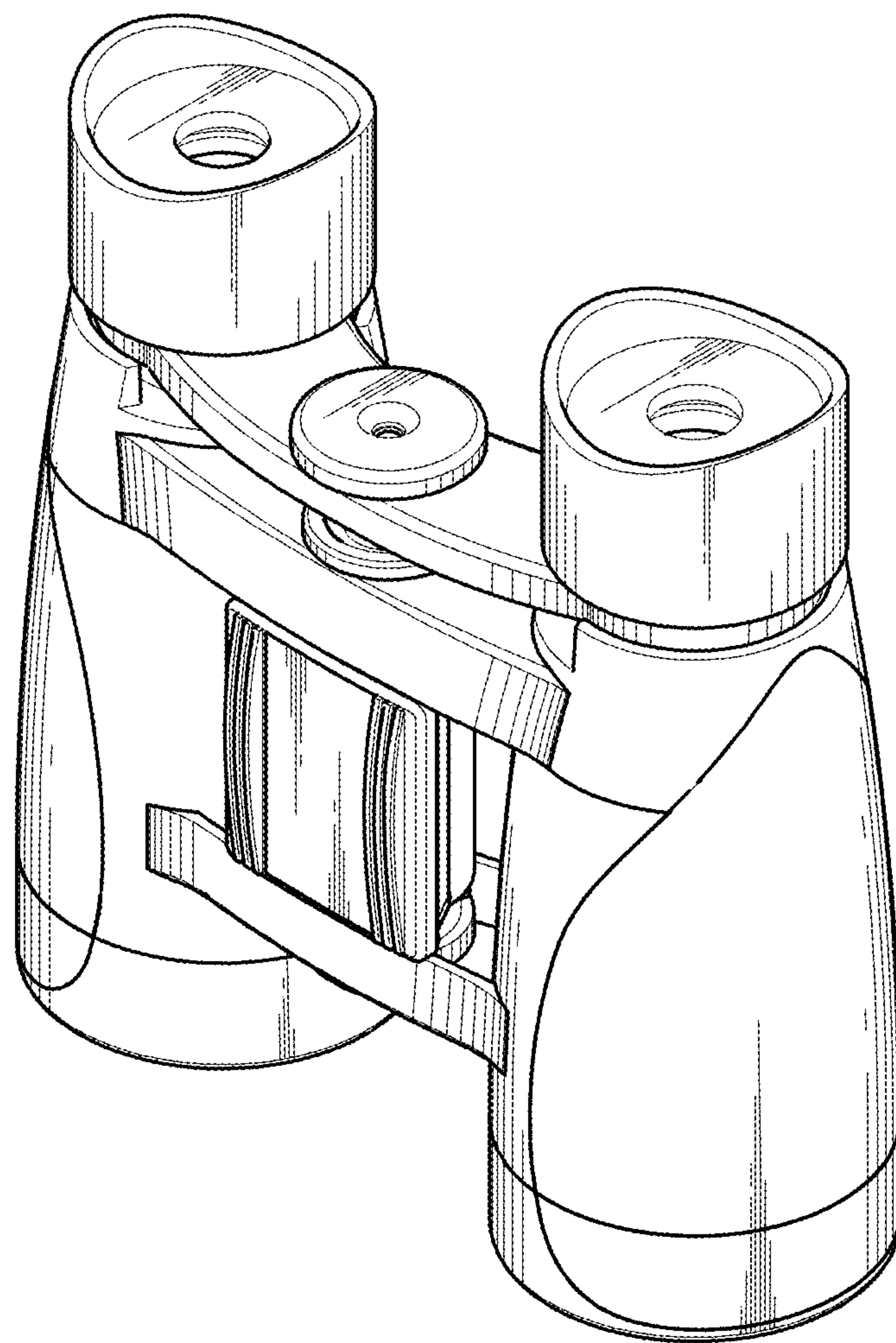


Fig. 1

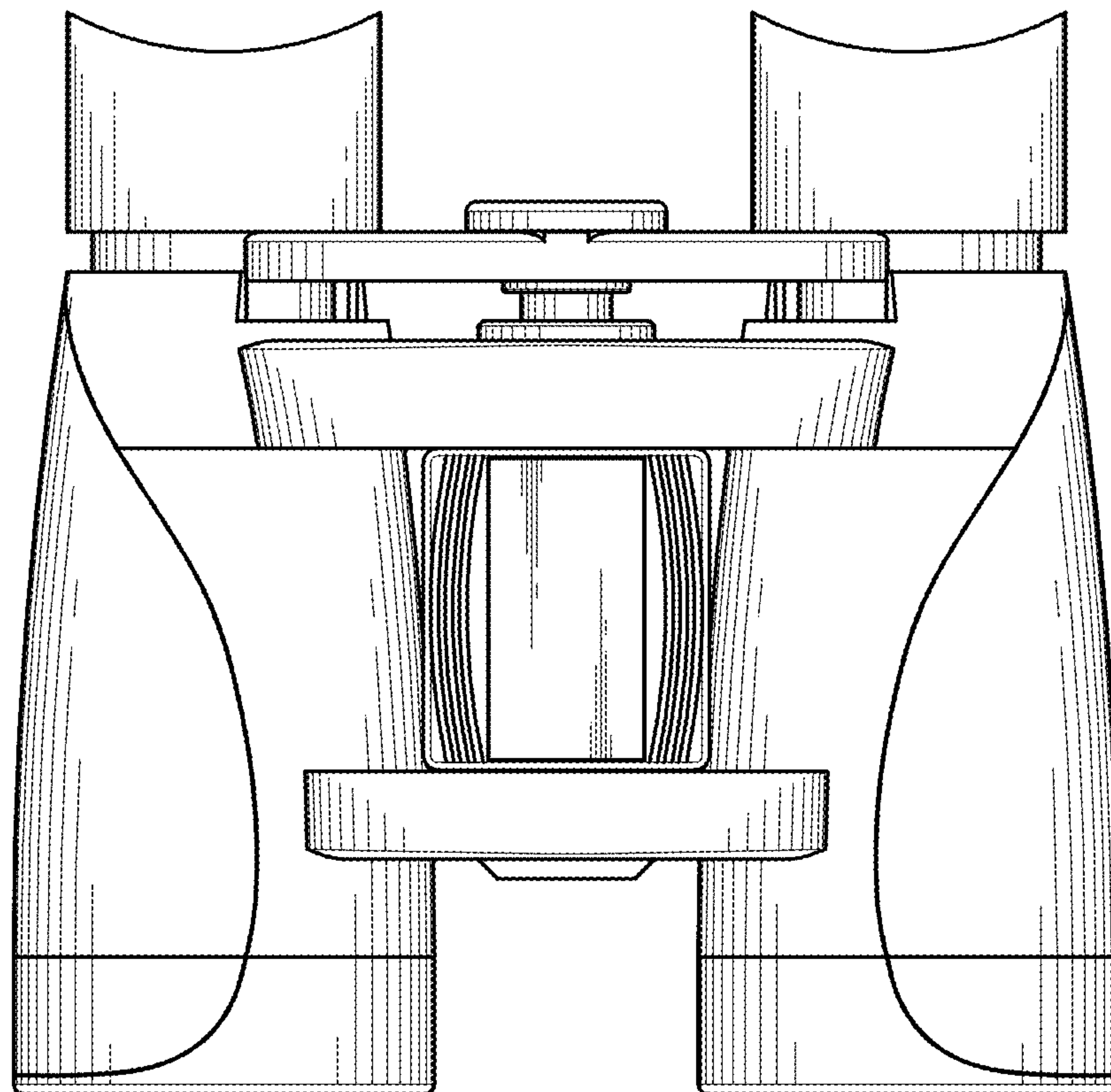


Fig. 2

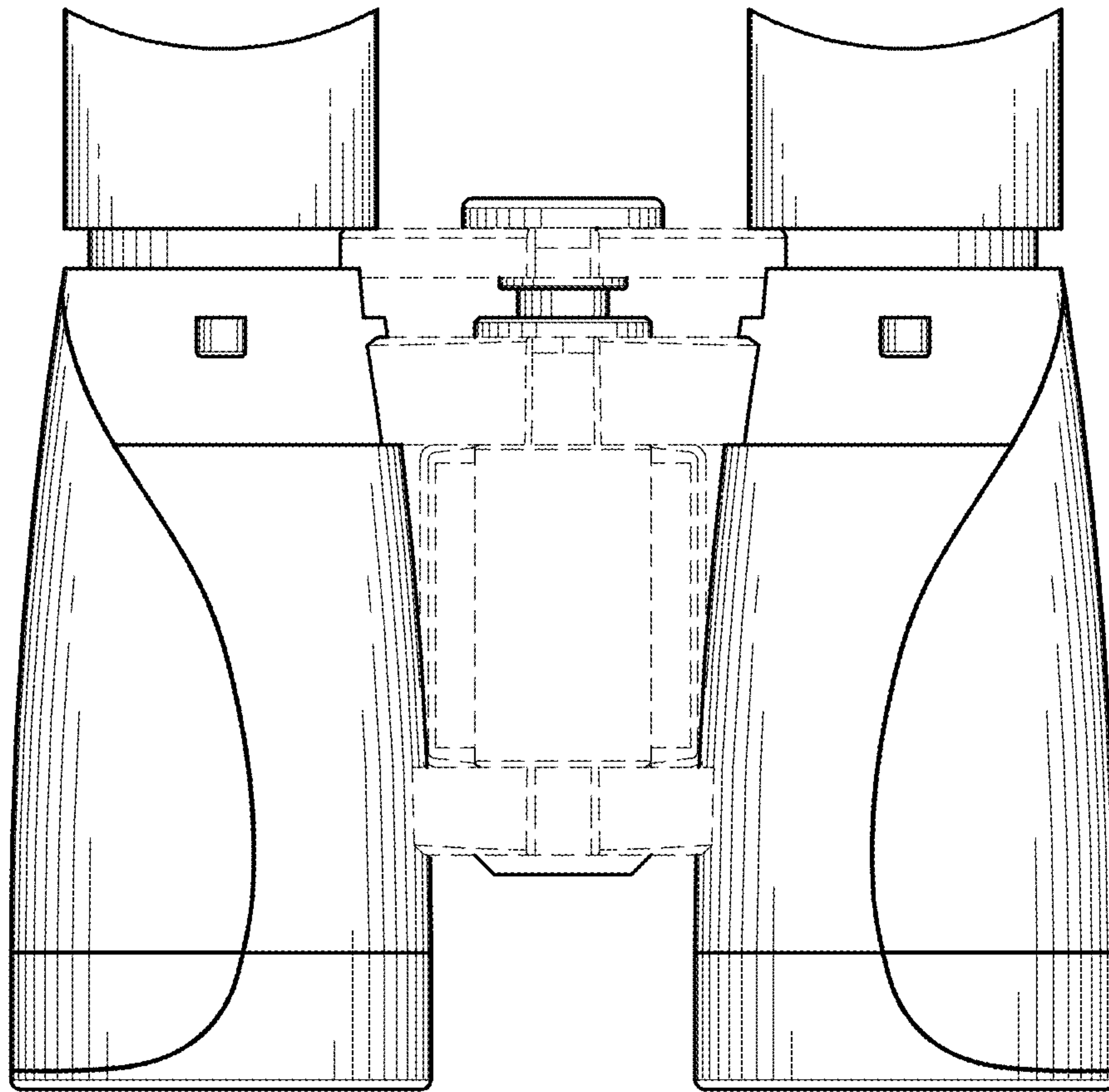


Fig. 3

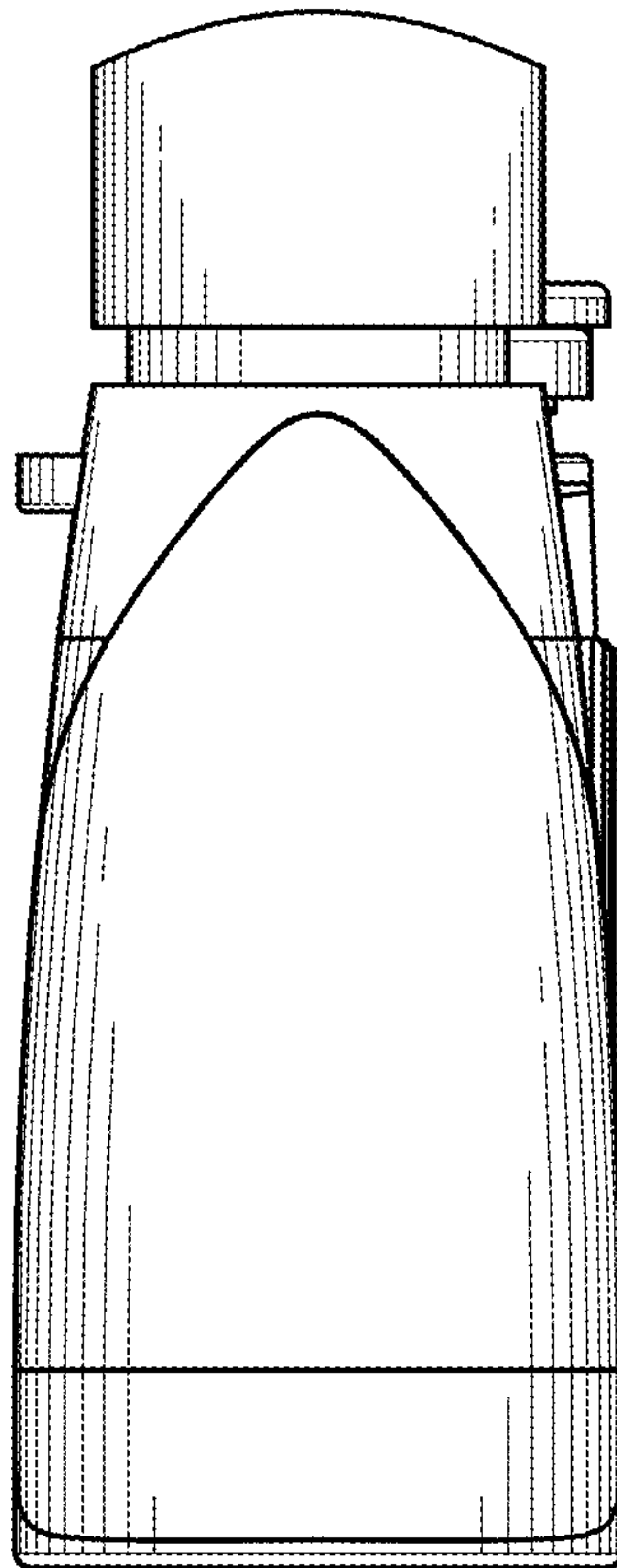


Fig. 4

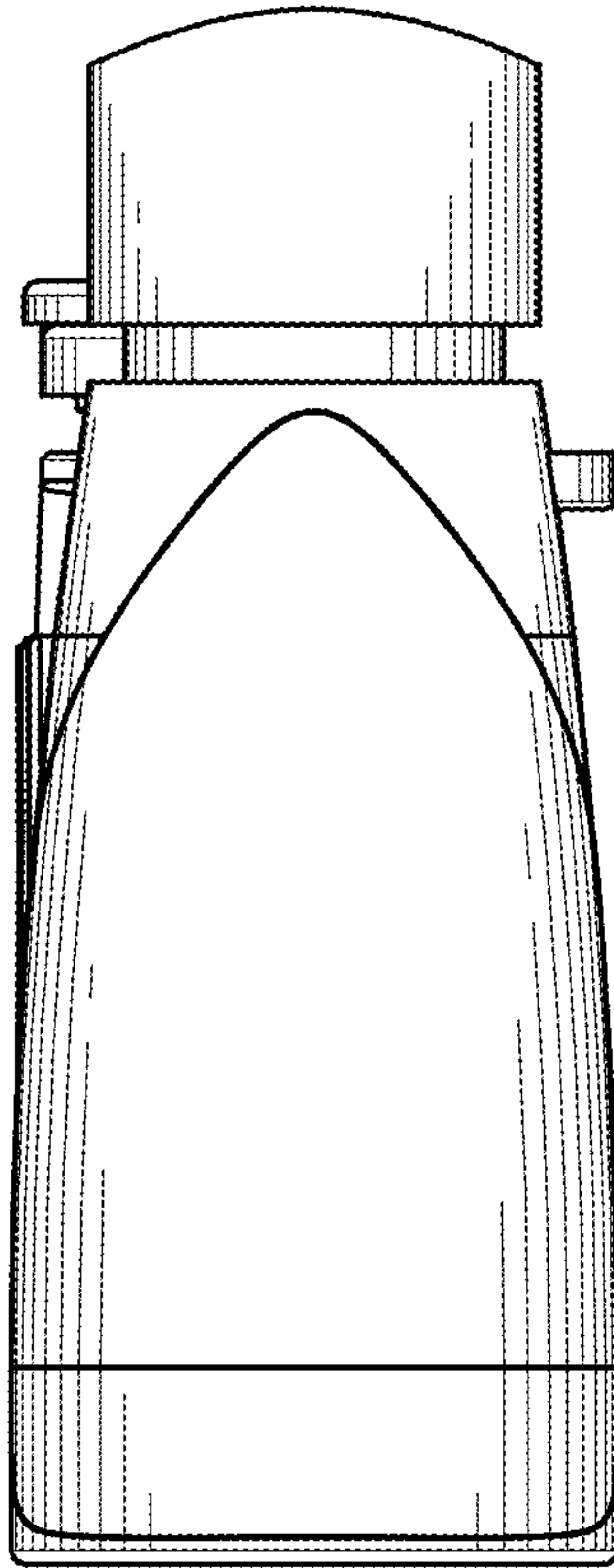


Fig. 5

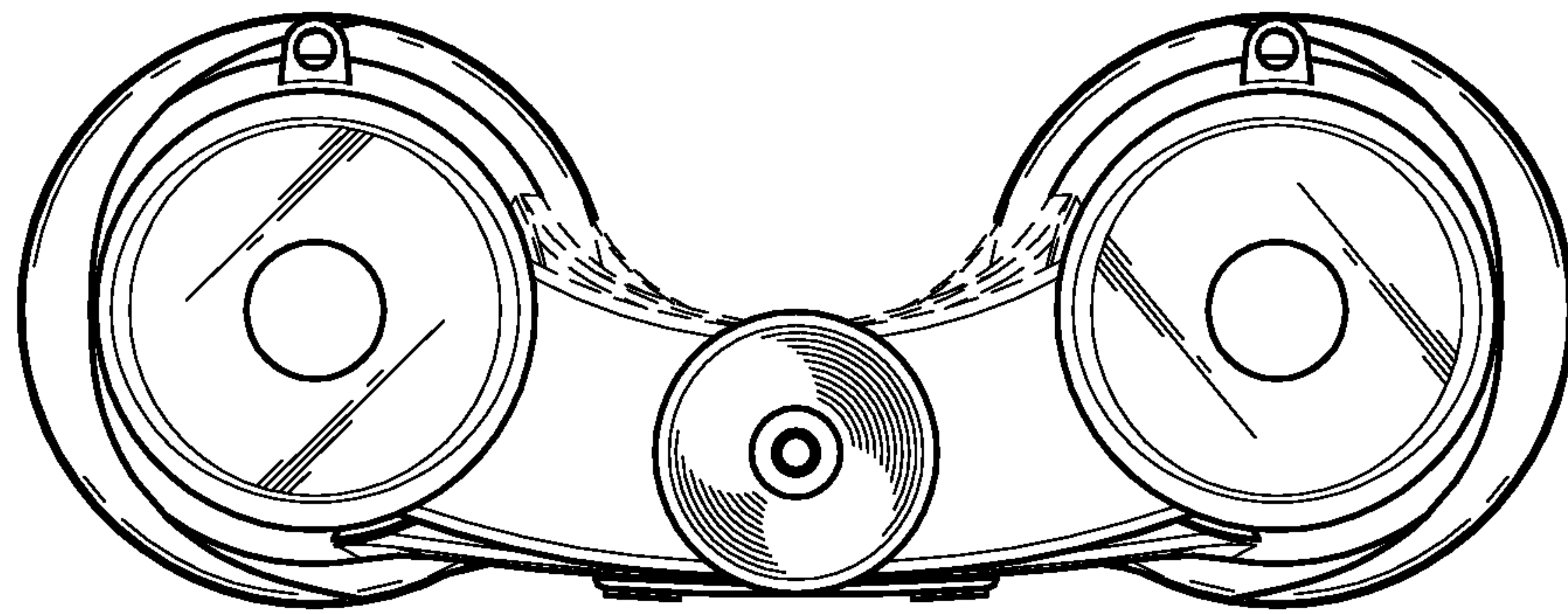


Fig. 6

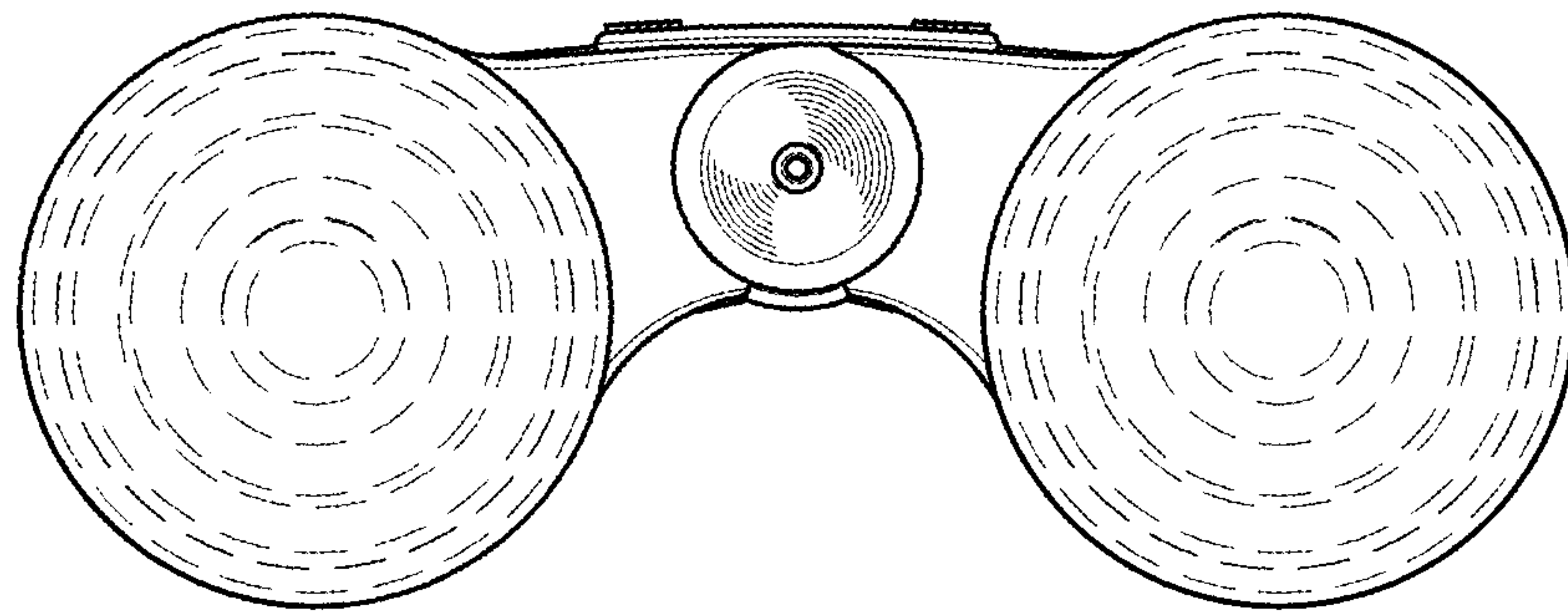


Fig. 7