



US00D816745S

(12) **United States Design Patent** (10) **Patent No.:** **US D816,745 S**
Hori et al. (45) **Date of Patent:** **** May 1, 2018**

(54) **REAMING AND BURNISHING TOOL**

(56) **References Cited**

(71) Applicant: **SUGINO MACHINE LIMITED**,
Toyama (JP)

U.S. PATENT DOCUMENTS

(72) Inventors: **Tomoaki Hori**, Uozu (JP); **Tomoya Naitou**, Uozu (JP)

4,040,765 A * 8/1977 Vig B23B 31/00
 408/239 A
 4,664,567 A * 5/1987 Edwards B23B 51/0486
 407/11
 D328,906 S * 8/1992 MacDonald D15/139
 D400,547 S * 11/1998 Albrektsson D15/139
 D644,327 S * 8/2011 Singh D15/139
 D676,471 S * 2/2013 Marcus D15/138
 D682,898 S * 5/2013 Fujii D15/139
 D686,896 S * 7/2013 Guelat D15/139
 D786,645 S * 5/2017 Svendsen D15/139

(73) Assignee: **SUGINO MACHINE LIMITED**,
Uozu, Toyama (JP)

(**) Term: **15 Years**

(21) Appl. No.: **35/501,509**

* cited by examiner

(22) Filed: **Mar. 3, 2016**

Primary Examiner — Richard E Chilcot

(80) **Hague Agreement Data**

(74) *Attorney, Agent, or Firm* — Manabu Kanesaka

Int. Filing Date: **Mar. 3, 2016**

Int. Reg. No.: **DM/090744**

Int. Reg. Date: **Mar. 3, 2016**

Int. Reg. Pub. Date: **Sep. 9, 2016**

(57) **CLAIM**

The ornamental design for a reaming and burnishing tool, as shown and described.

(30) **Foreign Application Priority Data**

DESCRIPTION

Oct. 16, 2015 (JP) 2015-022953

(51) **LOC (11) Cl.** **08-05**

(52) **U.S. Cl.**
USPC **D15/139**
CPC **B25D 3/00** (2013.01)

(58) **Field of Classification Search**
USPC D15/21, 28, 29, 139; D24/146; 30/167,
30/167.2, 168, 366; D8/14, 20, 47, 70
CPC B25D 3/00; B25D 11/102; B25D 17/005
See application file for complete search history.

1. Reaming and Burnishing Tool

1.1: Front

1.2: Back

1.3: Left

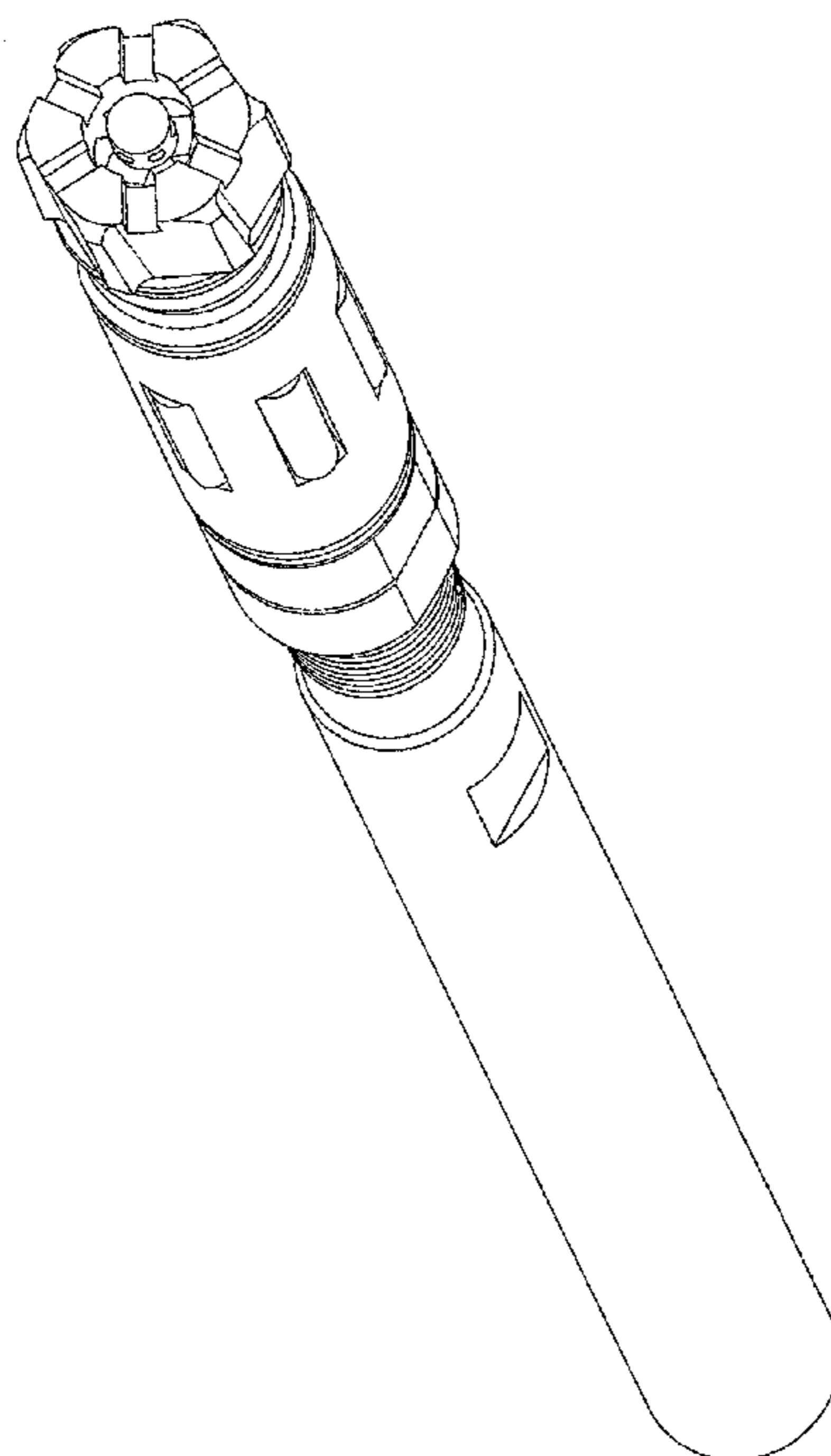
1.4: Right

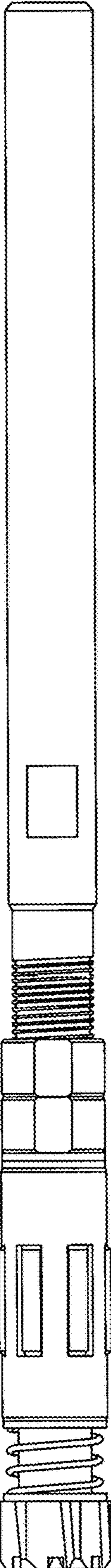
1.5: Top

1.6: Perspective

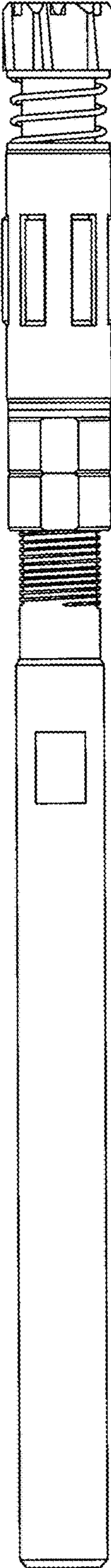
1.7: Perspective

1 Claim, 7 Drawing Sheets

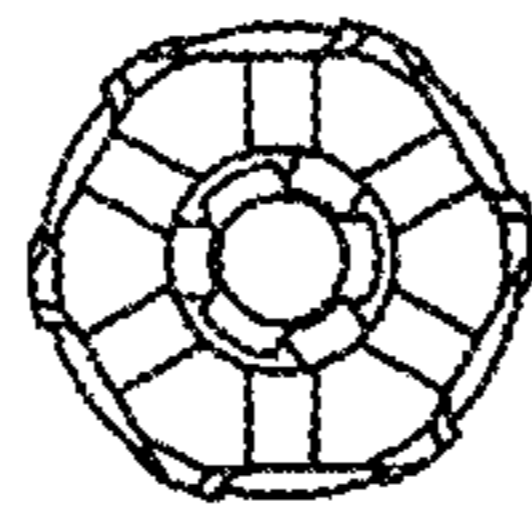




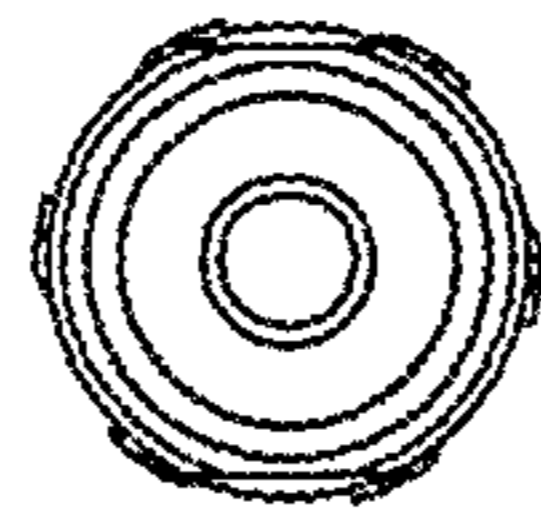
1.1



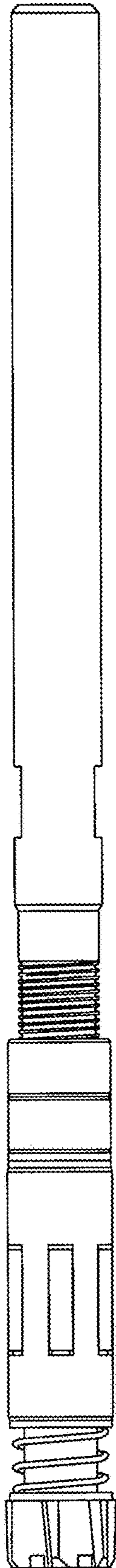
1.2



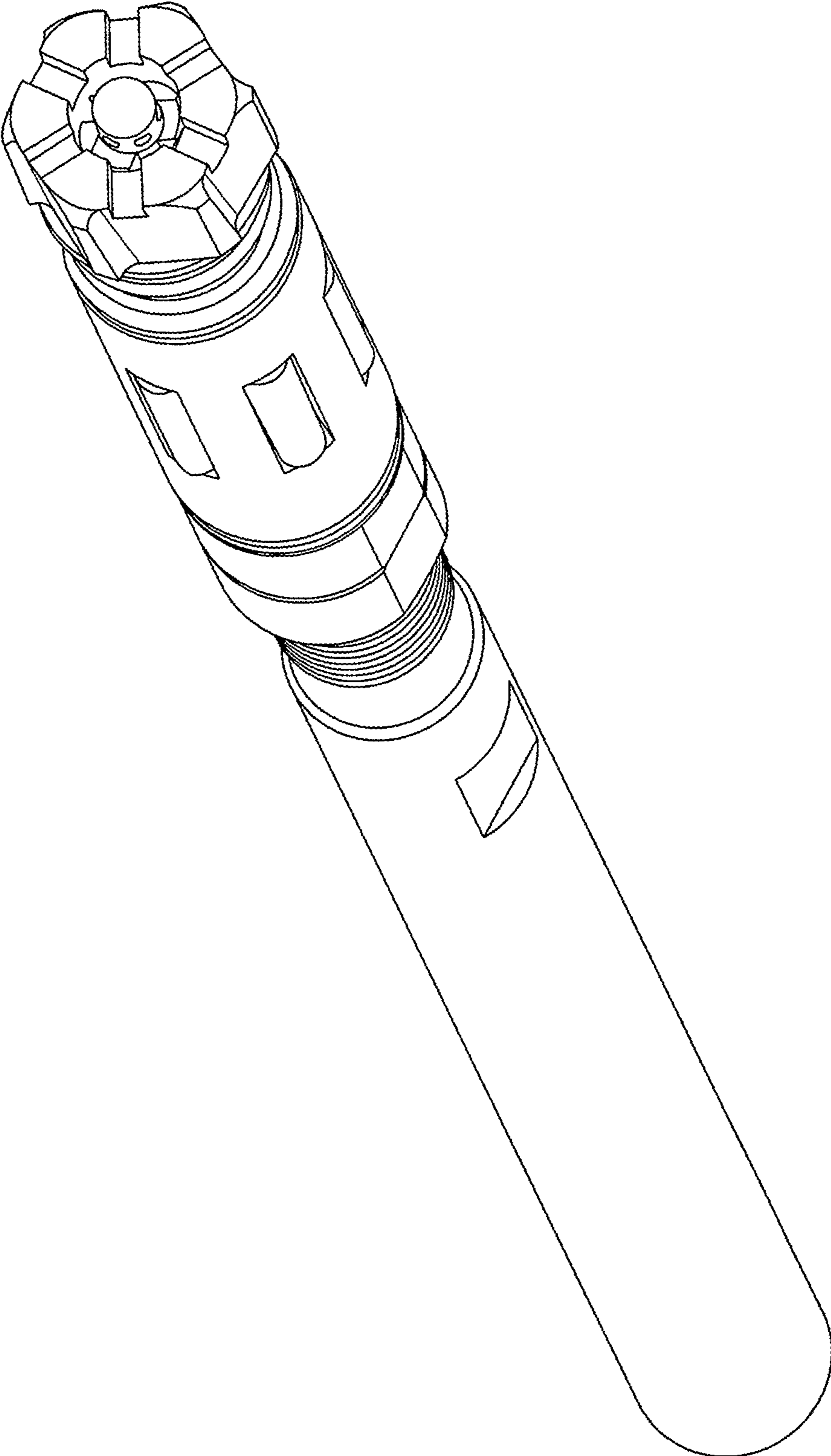
1.3



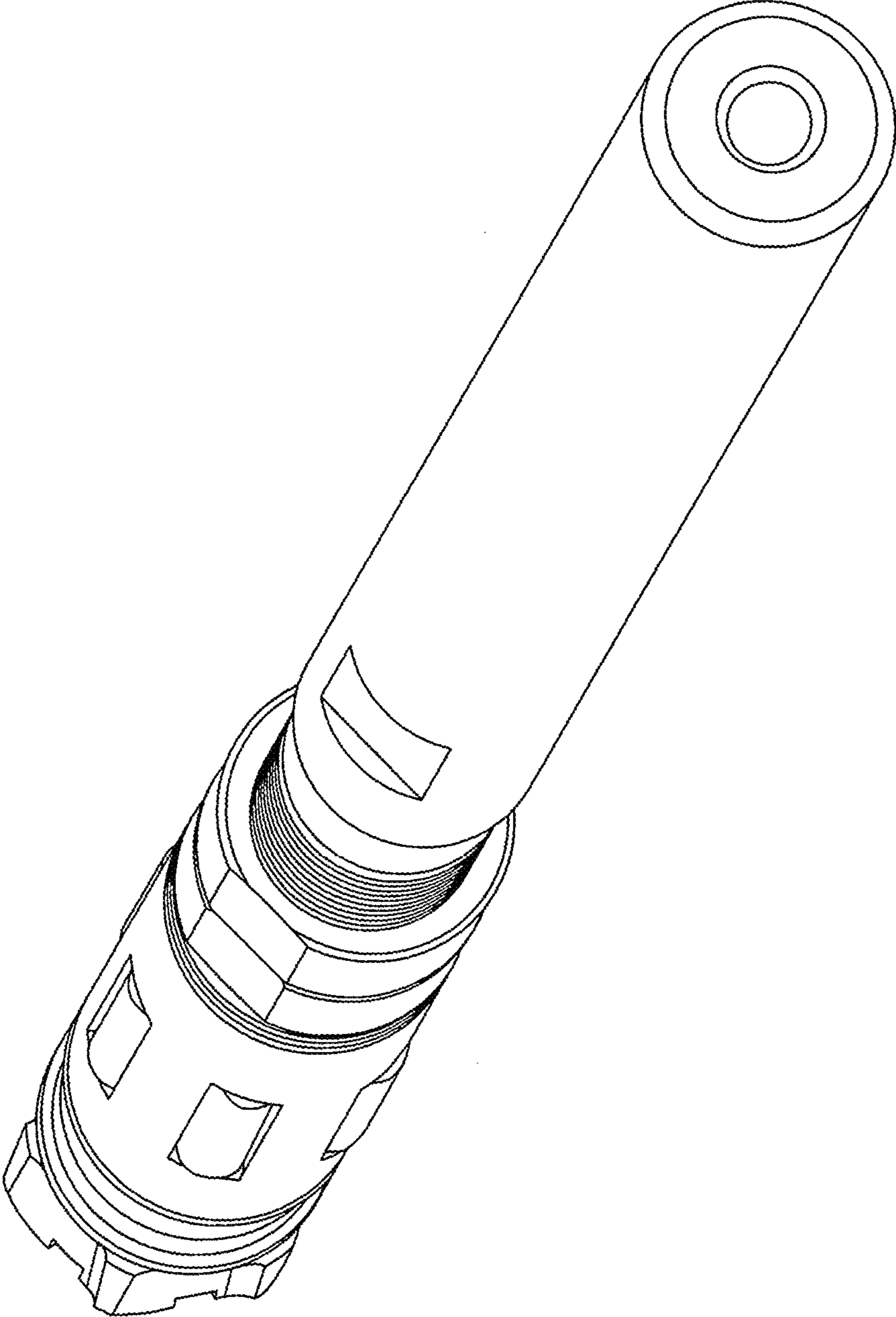
1.4



1.5



1.6



1.7