



US00D816744S

(12) **United States Design Patent** (10) **Patent No.:** **US D816,744 S**
Lee et al. (45) **Date of Patent:** **** May 1, 2018**

(54) **CUTTING INSERT**

B23C 2200/0422; B23B 27/007; B23B 27/143; B23B 2200/321; B23B 2200/087

See application file for complete search history.

(71) Applicant: **KORLOY INC.**, Seoul (KR)

(72) Inventors: **Nam Seon Lee**, Cheongju-si (KR); **Ki Chan Nam**, Cheongju-si (KR); **Young Heum Kim**, Cheongju-si (KR); **Hyo San Kim**, Cheongju-si (KR); **Min Seok Oh**, Cheongju-si (KR); **Hyoung Ju Jung**, Cheongju-si (KR)

(**) Term: **15 Years**

(21) Appl. No.: **35/501,360**

(22) Filed: **Jun. 17, 2016**

(80) **Hague Agreement Data**

Int. Filing Date: **Jun. 17, 2016**

Int. Reg. No.: **DM/091836**

Int. Reg. Date: **Jun. 17, 2016**

Int. Reg. Pub. Date: **Aug. 5, 2016**

(30) **Foreign Application Priority Data**

Feb. 22, 2016 (KR) 30-2016-0007908

(51) **LOC (11) Cl.** **15-09**

(52) **U.S. Cl.**
USPC **D15/139**
CPC **B23C 5/00** (2013.01)

(58) **Field of Classification Search**

USPC D15/124-144; D8/20, 70, 90, 98;
409/139, 140; 407/59, 114

CPC B23C 2200/0494; B23C 2200/086; B23C 2200/128; B23C 2200/362; B23C 5/15; B23C 5/06; B23C 5/207; B23C 2200/367;

(56) **References Cited**

U.S. PATENT DOCUMENTS

D344,276 S *	2/1994	Markusson	D15/139
D389,496 S *	1/1998	Muren	D15/139
D393,270 S *	4/1998	Muren	D15/139
D395,663 S *	6/1998	Muren	D15/139
D425,086 S *	5/2000	Bernadic	D15/139
D426,245 S *	6/2000	Bernadic	D15/139
D429,261 S *	8/2000	Hartlohner	D15/139
D431,579 S *	10/2000	Hartlohner	D15/139
D436,608 S *	1/2001	Hartlohner	D15/139
D448,393 S *	9/2001	Hartlohner	D15/139
D481,048 S *	10/2003	Brockett	D15/139
D485,852 S *	1/2004	Arvidsson	D15/139
D487,281 S *	3/2004	Roman	D15/139
D487,755 S *	3/2004	Kasperik	D15/139
D487,759 S *	3/2004	Kasperik	D15/139
D488,175 S *	4/2004	Kasperik	D15/139
D488,176 S *	4/2004	Kasperik	D15/139
D503,181 S *	3/2005	Kasperik	D15/139
D522,025 S *	5/2006	Niebauer	D15/139
D523,039 S *	6/2006	Niebauer	D15/139
D523,040 S *	6/2006	Niebauer	D15/139
D550,730 S *	9/2007	Nicholas	D15/140
D555,684 S *	11/2007	Waggle	D15/139
D635,598 S *	4/2011	Widin	D15/139
D637,214 S *	5/2011	Saito	D15/139
D638,041 S *	5/2011	Saito	D15/139

(Continued)

Primary Examiner — Richard E Chilcot

(74) *Attorney, Agent, or Firm* — Rabin & Berdo, P.C.

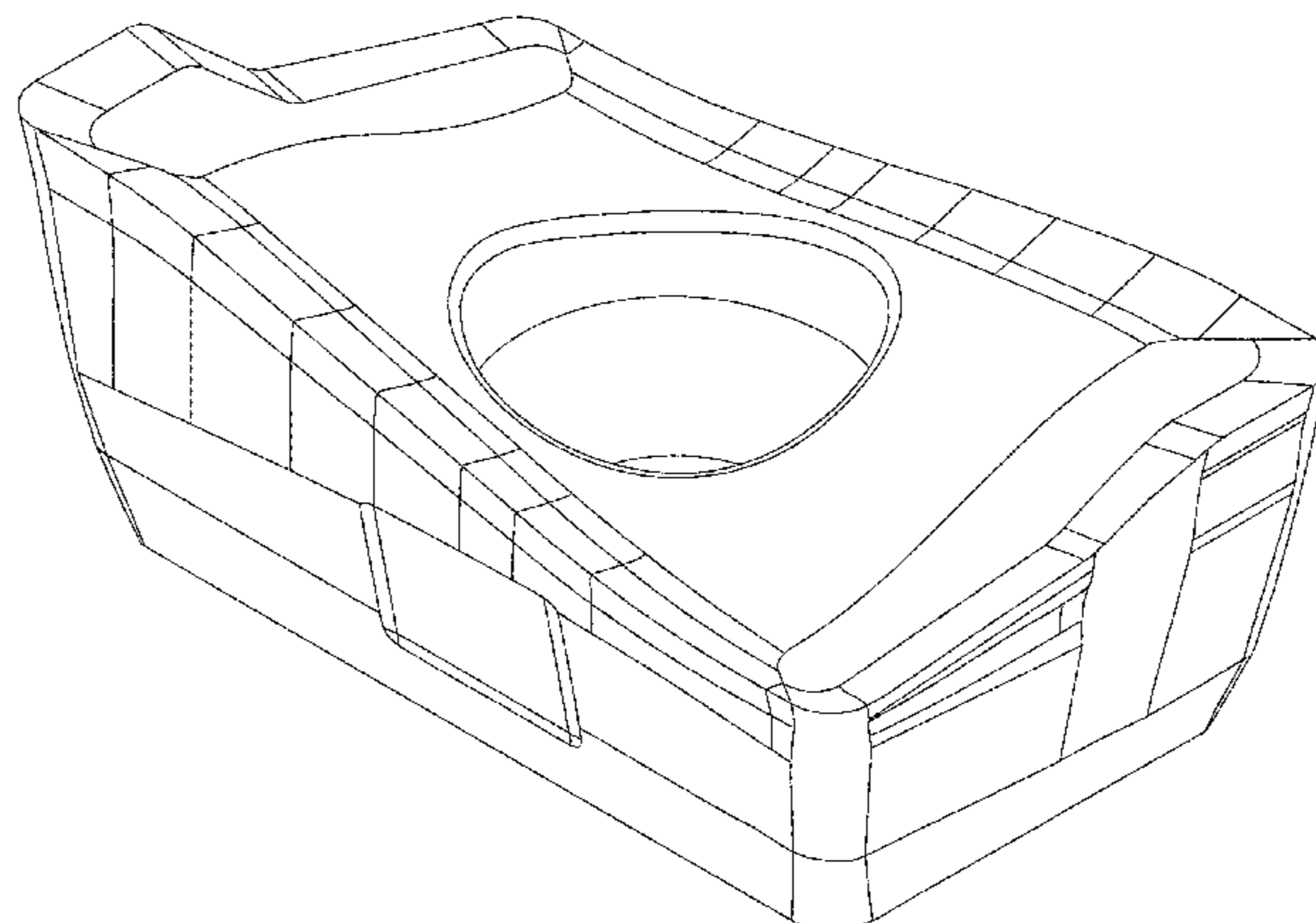
(57) **CLAIM**

The ornamental design for a cutting insert, as shown and described.

DESCRIPTION

- 1. Cutting insert
- 1.1 : Perspective
- 1.2 : Front
- 1.3 : Back

(Continued)



- 1.4 : Left
- 1.5 : Right
- 1.6 : Top
- 1.7 : Bottom

1 Claim, 7 Drawing Sheets

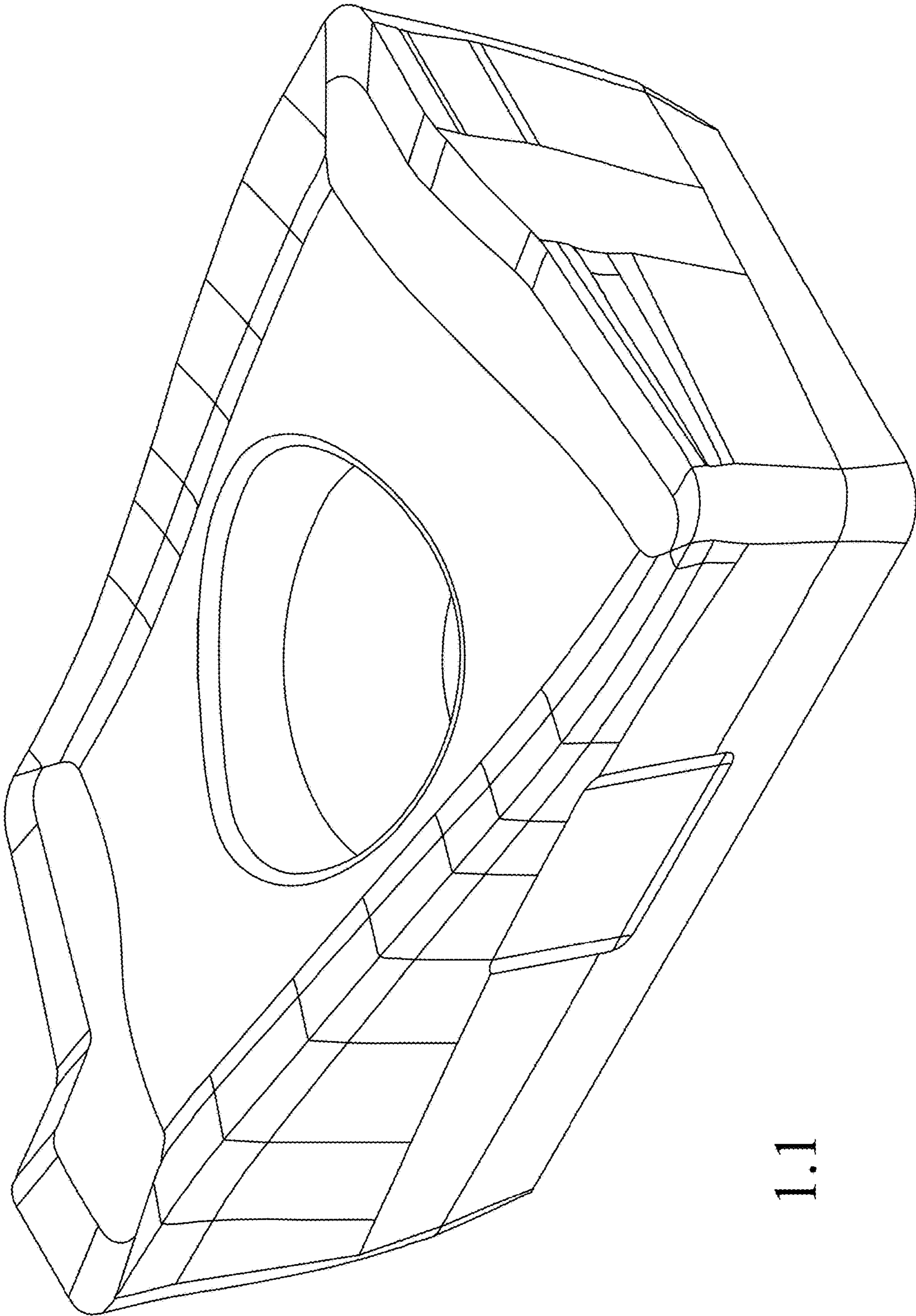
(56)

References Cited

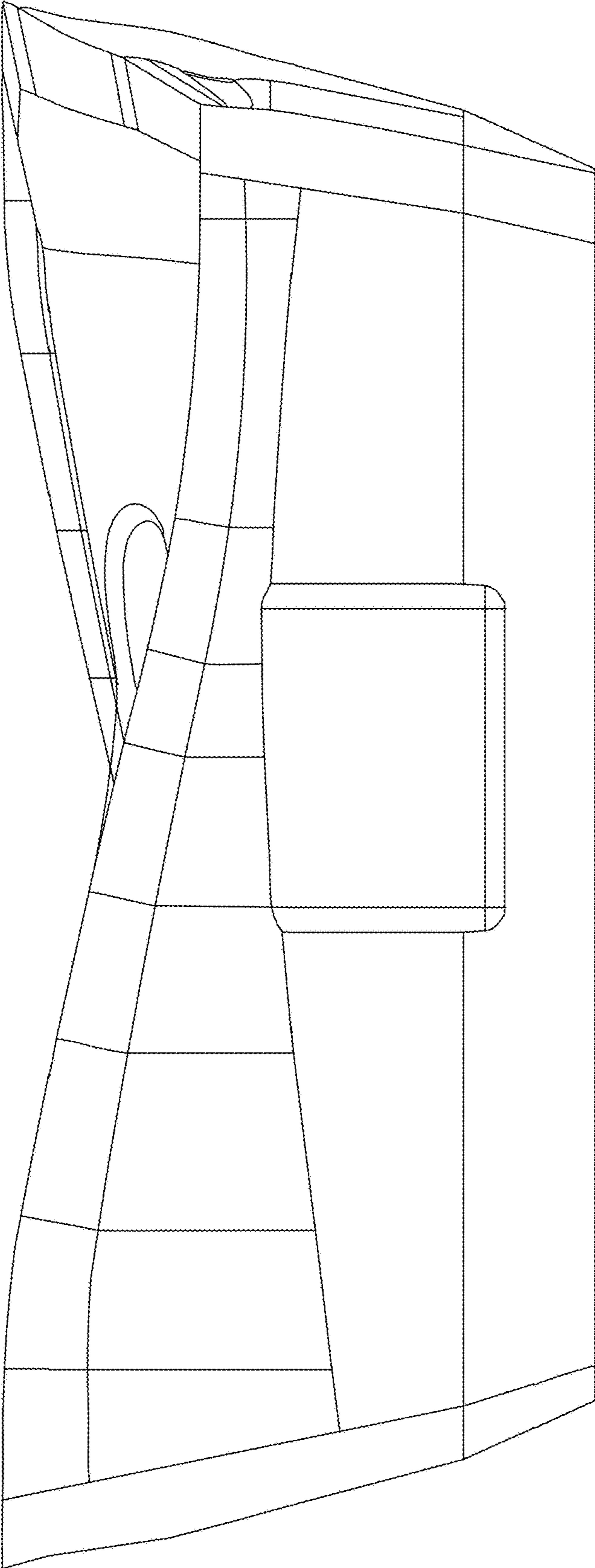
U.S. PATENT DOCUMENTS

D688,716	S	*	8/2013	Lampe	D15/139
D710,917	S	*	8/2014	Jung	D15/139
D714,849	S	*	10/2014	Choi	D15/139
D736,841	S	*	8/2015	Jung	D15/139
D744,557	S	*	12/2015	Koike	D15/139
D748,703	S	*	2/2016	Nam	D15/139
D752,664	S	*	3/2016	Jung	D15/139
D755,267	S	*	5/2016	Lee	D15/139
D771,726	S	*	11/2016	Nam	D15/139
D772,318	S	*	11/2016	Nam	D15/139
D772,319	S	*	11/2016	Nam	D15/139
D772,963	S	*	11/2016	Nam	D15/139

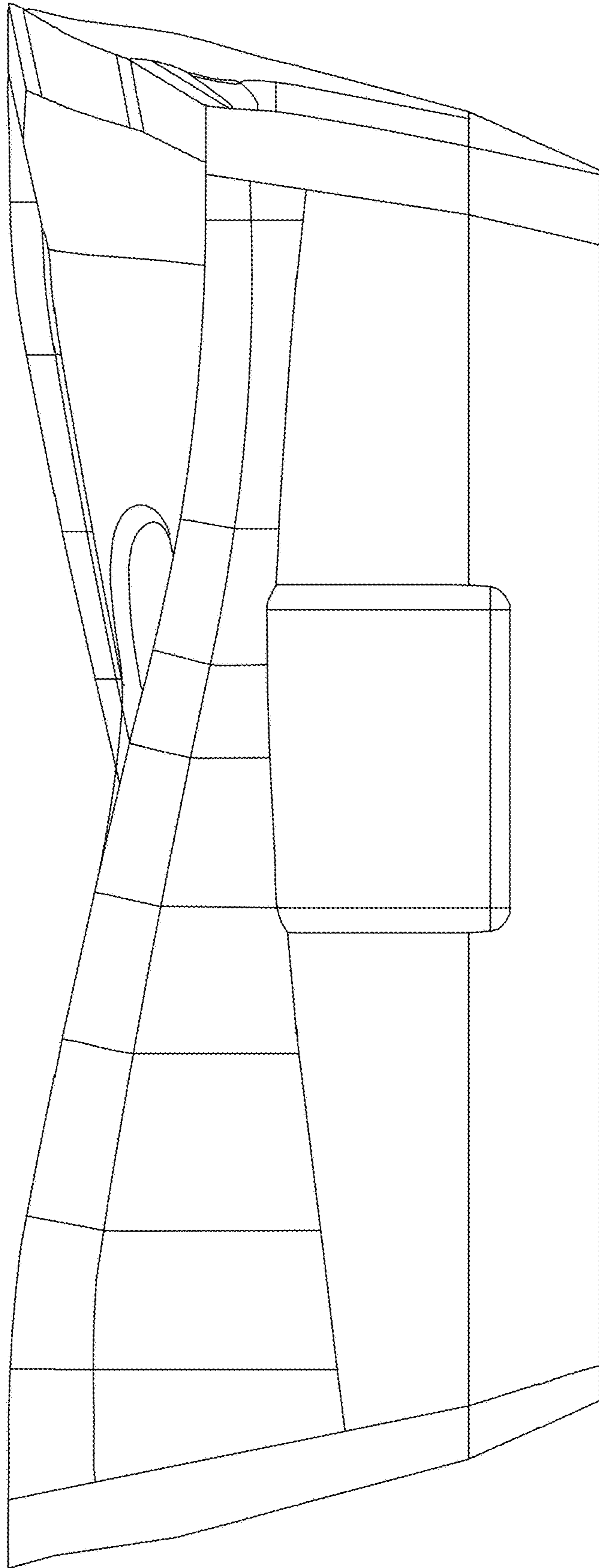
* cited by examiner



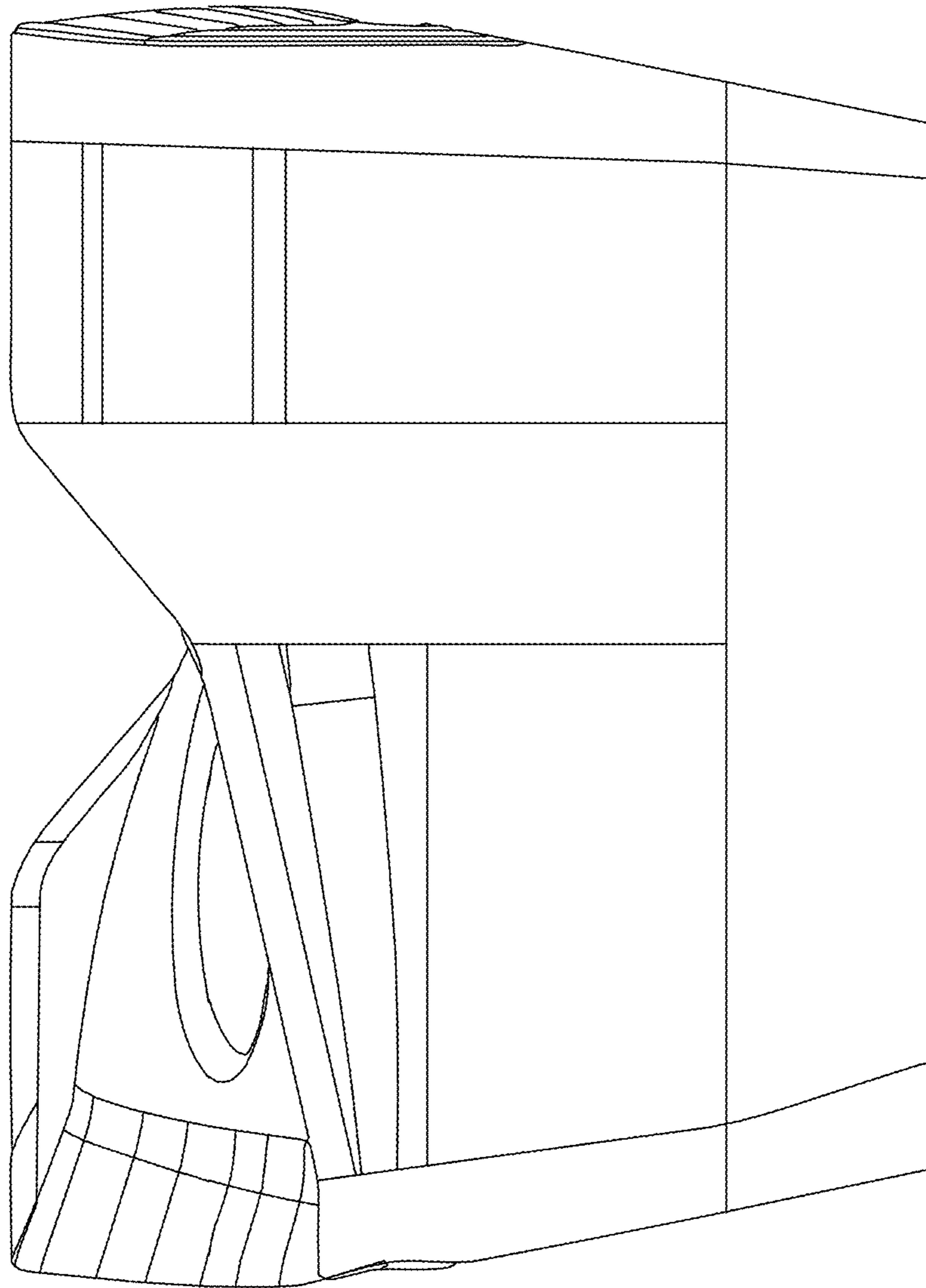
1.1



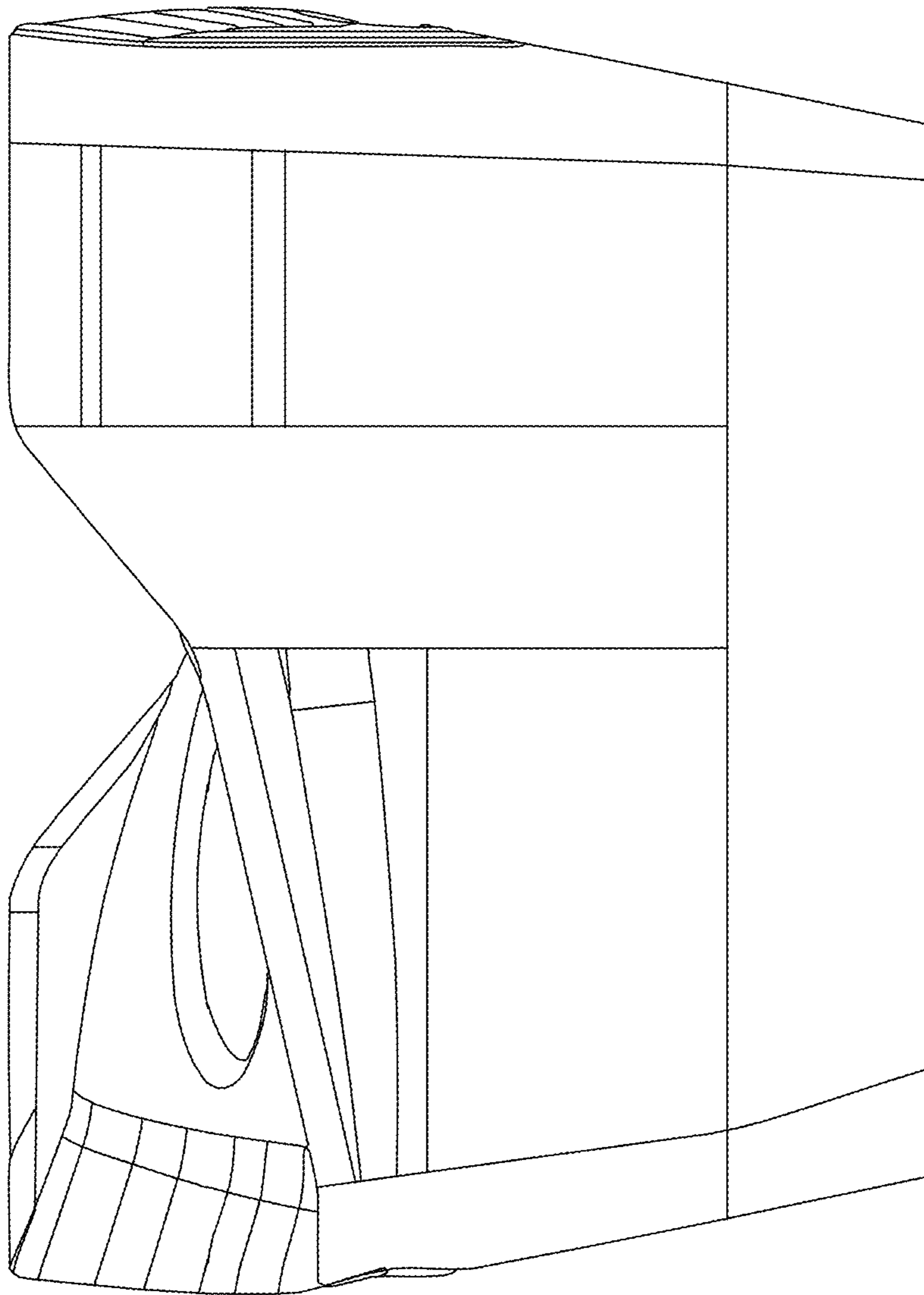
1.2



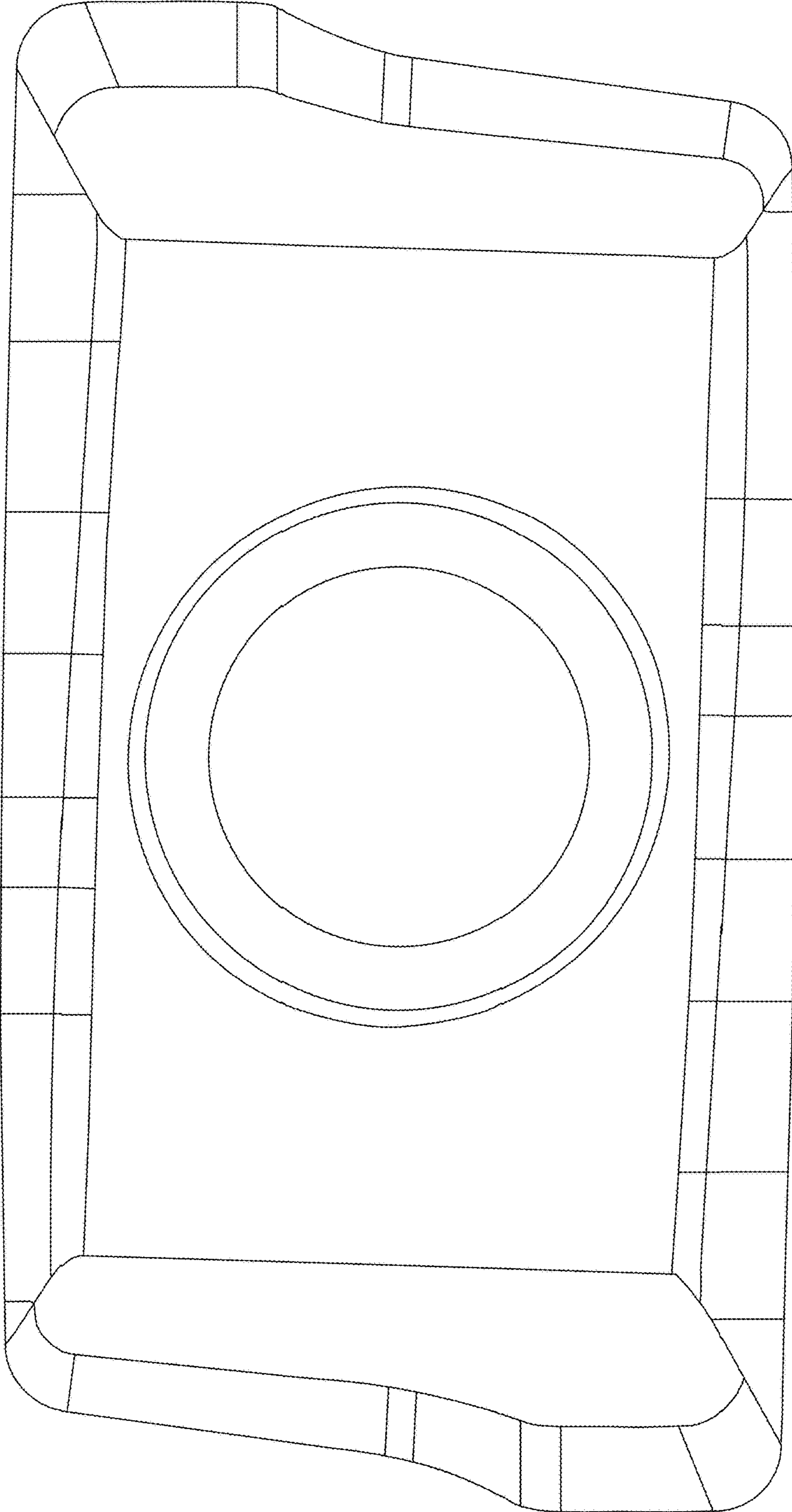
1.3



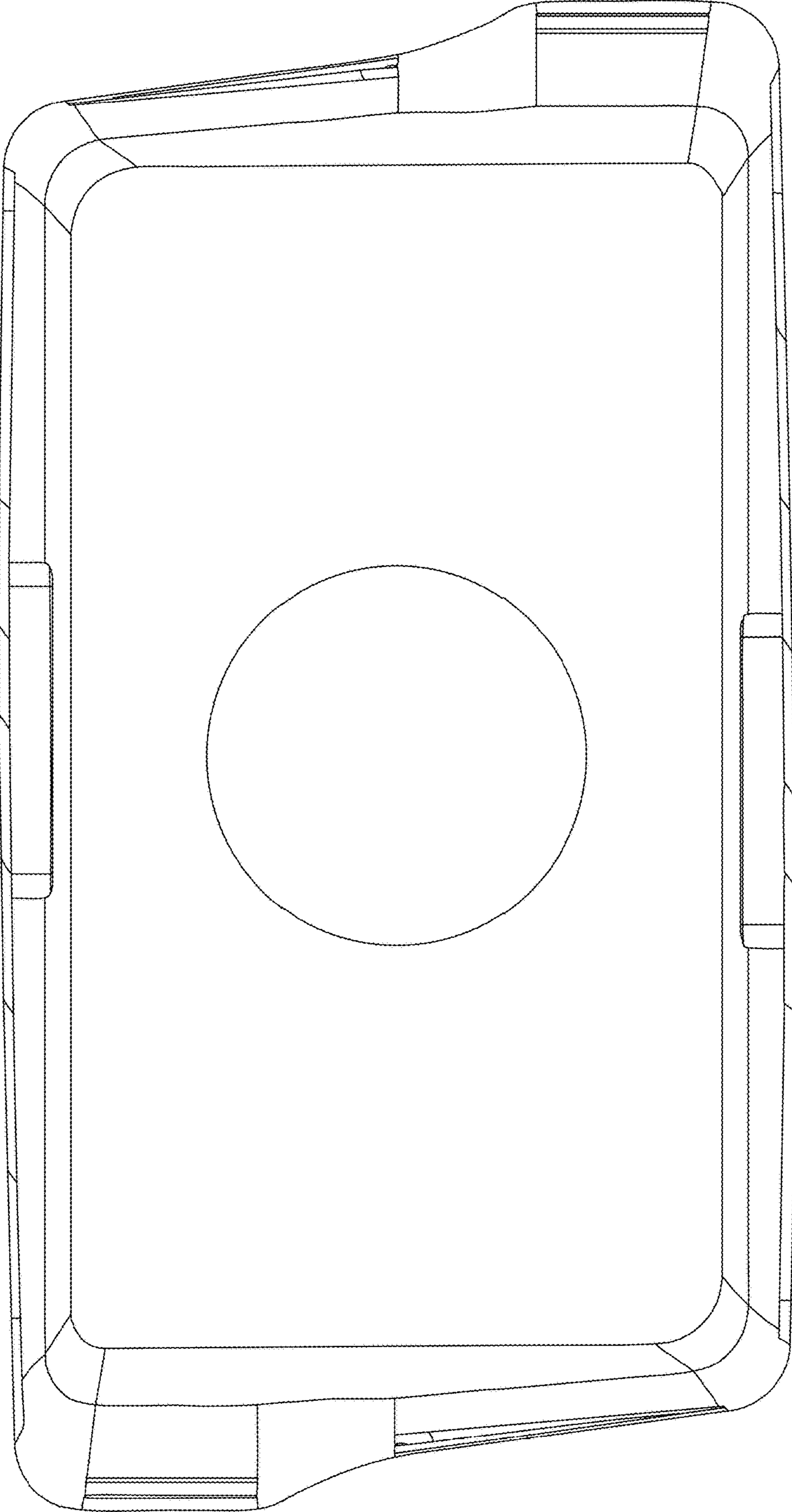
1.4



1.5



1.6



1.7