



US00D816743S

(12) **United States Design Patent** (10) **Patent No.:** **US D816,743 S**
Monden (45) **Date of Patent:** **** May 1, 2018**

(54) **GEAR CUTTING TOOL**

B23C 5/2427; B23C 2200/0422; B23C 2200/08; B23C 2200/086; B23C 2200/123

(71) Applicant: **Mitsubishi Heavy Industries Machine Tool Co., Ltd.**, Ritto-shi, Shiga (JP)

See application file for complete search history.

(72) Inventor: **Tetsuji Monden**, Ritto (JP)

(56) **References Cited**

(73) Assignee: **MITSUBISHI HEAVY INDUSTRIES MACHINE TOOL CO., LTD.**, Shiga (JP)

U.S. PATENT DOCUMENTS

(**) Term: **15 Years**

(21) Appl. No.: **29/601,358**

2,126,178	A *	8/1938	Drummond	B23F 21/28
				407/27
2,380,208	A *	7/1945	Ashton	B23F 19/06
				409/33
D519,533	S *	4/2006	Frey	D15/139
D525,995	S *	8/2006	Bjork	D15/139
D758,463	S *	6/2016	Kikuchi	D15/139
D760,826	S *	7/2016	Nakamura	D15/139
D774,575	S *	12/2016	Nakamura	D15/139
D781,941	S *	3/2017	Nakamura	D15/139
D803,285	S *	11/2017	O'Barr	D15/139
D808,450	S *	1/2018	Woodroof	D15/139
2002/0081161	A1 *	6/2002	Yamada	B23F 21/16
				407/20

(22) Filed: **Apr. 21, 2017**

(30) **Foreign Application Priority Data**

Oct. 25, 2016 (JP) 2016-023158

(51) **LOC (11) Cl.** **15-03**

(52) **U.S. Cl.**
USPC **D15/139**

(58) **Field of Classification Search**
USPC D15/131, 138, 139, 140
CPC B23C 2200/0411; B23C 2200/0416; B23C 2200/0433; B23C 2200/164; B23C 2200/361; B23C 2210/0457; B23C 5/006; B23C 2200/168; B23C 2210/163; B23C 2226/125; B23C 5/10; B23C 2200/081; B23C 2200/087; B23C 2200/161; B23C 2200/206; B23C 2210/02; B23C 2210/03; B23C 2210/166; B23C 2210/50; B23C 2226/315; B23C 5/2208; B23C 5/2472; B23C 2200/0477; B23C 2200/0483; B23C 2200/083; B23C 2200/121; B23C 2200/362; B23C 2210/0428; B23C 2210/0435; B23C 2210/16; B23C 2220/36; B23C 2220/44; B23C 2240/08; B23C 2250/12; B23C 2270/06; B23C 5/2204; B23C 5/2213; B23C 5/2247;

(Continued)

Primary Examiner — Ian Simmons

Assistant Examiner — Khawaja Anwar

(74) *Attorney, Agent, or Firm* — Birch, Stewart, Kolasch & Birch, LLP

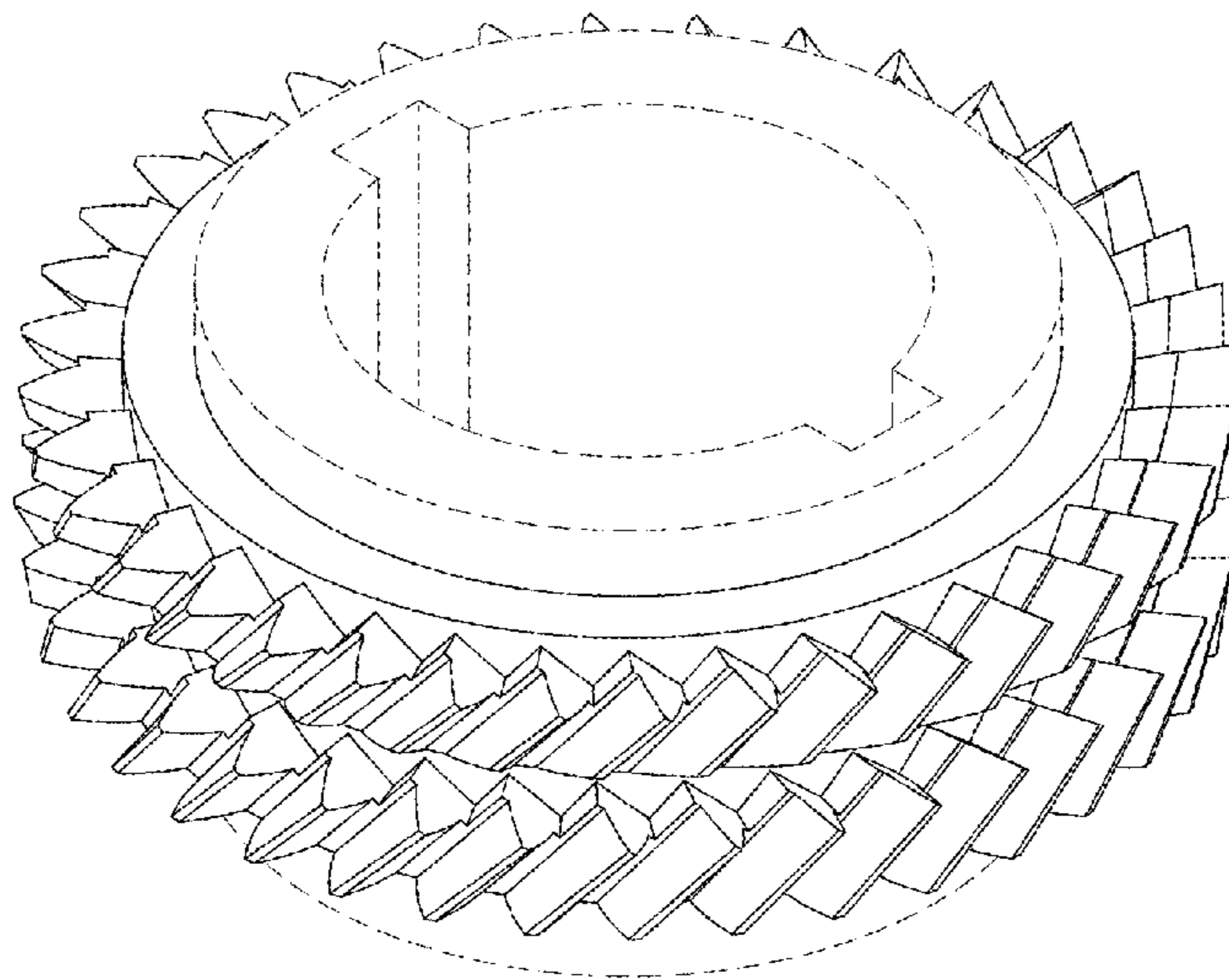
(57) **CLAIM**

The ornamental design for a gear cutting tool, as shown and described.

DESCRIPTION

FIG. 1 is a perspective view of a gear cutting tool. FIG. 2 is a front elevation view thereof. A rear elevation view, a right side elevation view and a left side elevation view are identical to the front elevation view. FIG. 3 is a top plan view thereof; and, FIG. 4 is a bottom plan view thereof. The broken lines shown in the drawings illustrate portions of the gear cutting tool that form no part of the claimed design.

1 Claim, 4 Drawing Sheets



(56)

References Cited

U.S. PATENT DOCUMENTS

2013/0091970 A1* 4/2013 O-oka F16H 55/08
74/458
2014/0140781 A1* 5/2014 Sjo B23F 21/146
408/8

* cited by examiner

FIG. 1

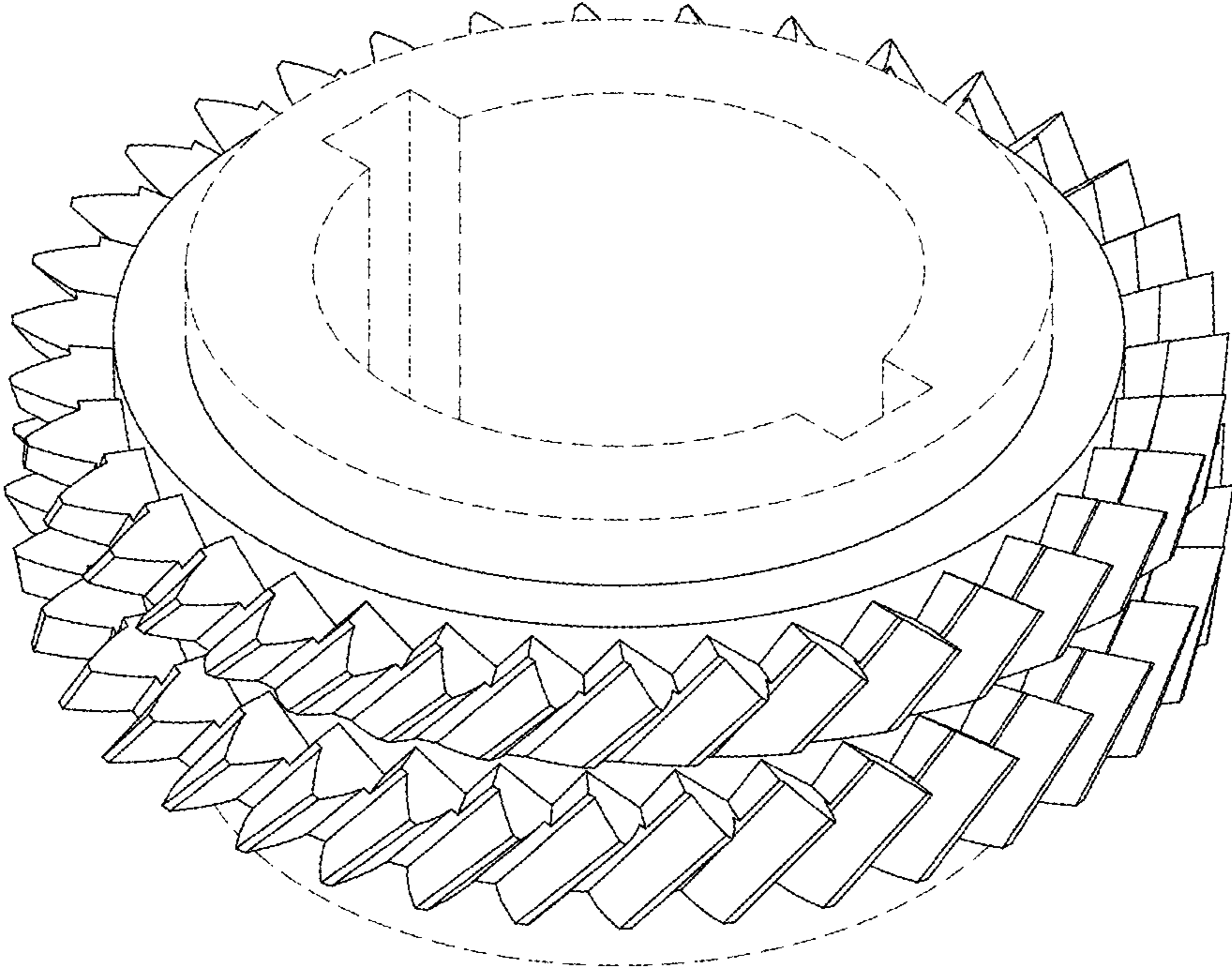


FIG. 2

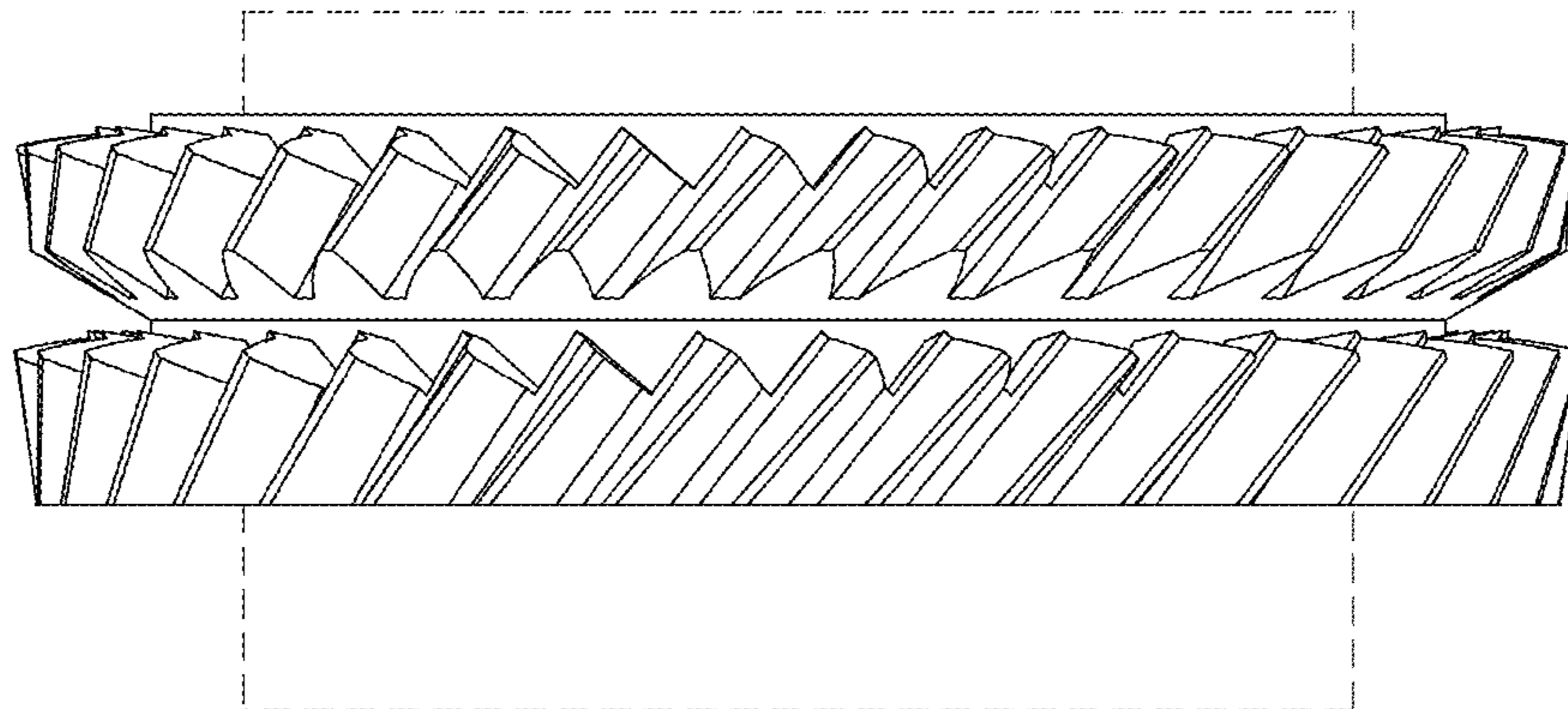


FIG. 3

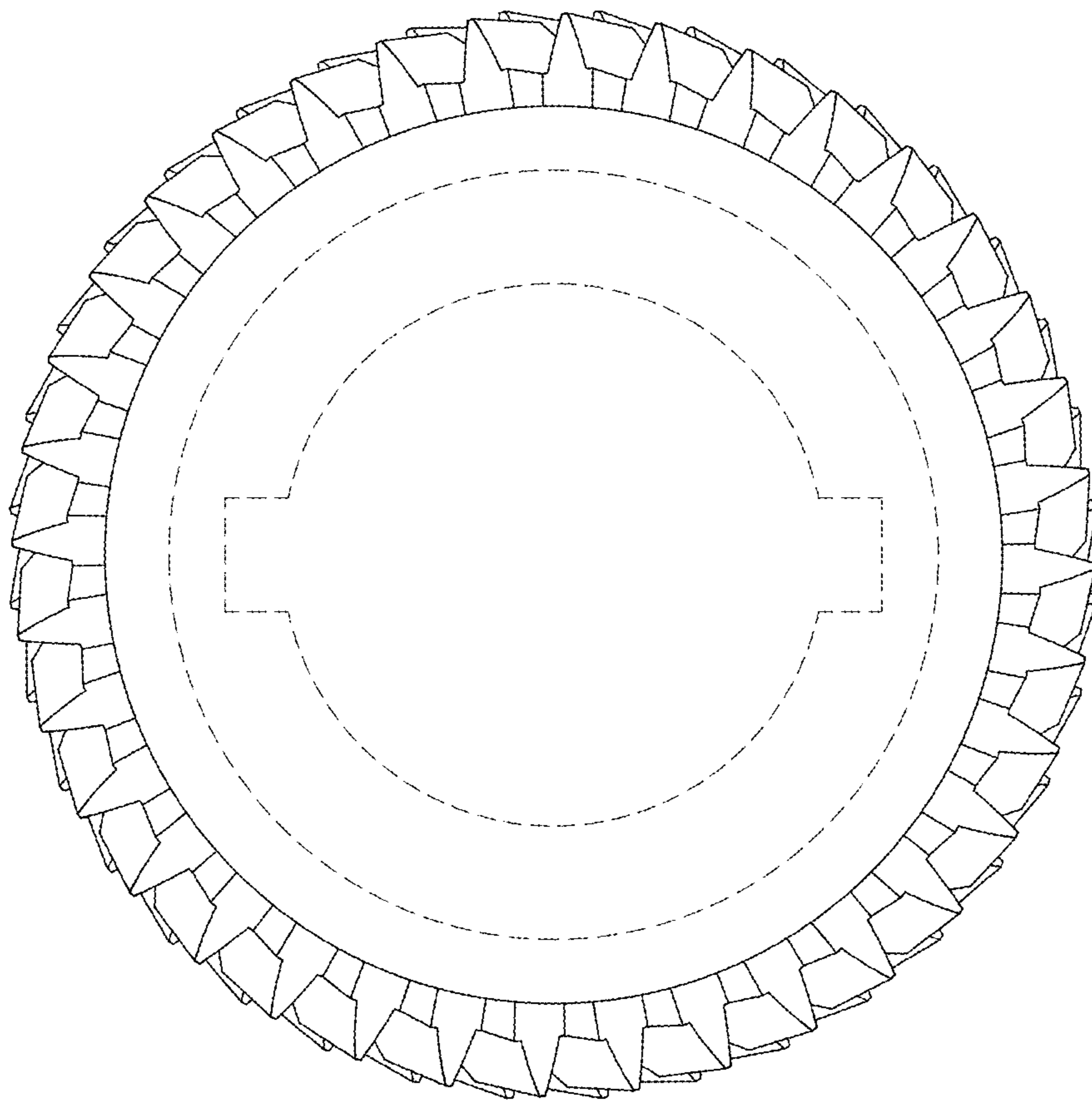


FIG. 4

