



US00D816742S

(12) **United States Design Patent** (10) **Patent No.:** **US D816,742 S**
Cabrit et al. (45) **Date of Patent:** **** May 1, 2018**

(54) **PORTABLE SAWMILL BANDSAW HOUSING**

D437,322 S 2/2001 Remue
D449,320 S 10/2001 Johnson
6,722,248 B1 4/2004 Johnston
7,784,387 B2 8/2010 Dale et al.

(71) Applicant: **Norwood Industries Inc.**, Kilworthy (CA)

(Continued)

(72) Inventors: **Sebastien Cabrit**, Ontario (CA); **Ashlynn Dale**, Ontario (CA); **Brian Shellswell**, Ontario (CA)

FOREIGN PATENT DOCUMENTS

EP 1117196 4/2009

(73) Assignee: **Norwood Industries Inc.**, Kilworthy, Ontario (CA)

OTHER PUBLICATIONS

(**) Term: **15 Years**

Notice of Allowance for U.S. Appl. No. 29/592,904 dated Jan. 23, 2018.

(21) Appl. No.: **29/592,899**

Primary Examiner — Patricia A Palasik

(22) Filed: **Feb. 3, 2017**

(74) *Attorney, Agent, or Firm* — Calfee, Halter & Griswold LLP

(30) **Foreign Application Priority Data**

Aug. 5, 2016 (CA) 169785

(51) **LOC (11) Cl.** **15-09**

(52) **U.S. Cl.**
USPC **D15/134**

(58) **Field of Classification Search**
USPC D15/127, 133, 134, 138, 199
CPC B23D 55/02; B27B 15/02; Y10T 83/68;
Y10T 83/95; Y10T 83/707; Y10T 83/722;
Y10T 83/7101; Y10T 83/7763
See application file for complete search history.

(56) **References Cited**

U.S. PATENT DOCUMENTS

2,612,913	A	10/1952	Arthur
4,366,620	A	1/1983	McClure
4,399,726	A	8/1983	Zacuto
4,455,745	A	6/1984	Toeppen
4,467,508	A	8/1984	Fjallstrom
4,548,115	A	10/1985	Martin
4,576,213	A	3/1986	Miller
4,784,192	A	11/1988	Raggiotti
5,213,022	A	5/1993	Elgan
D404,405	S	1/1999	Hammett

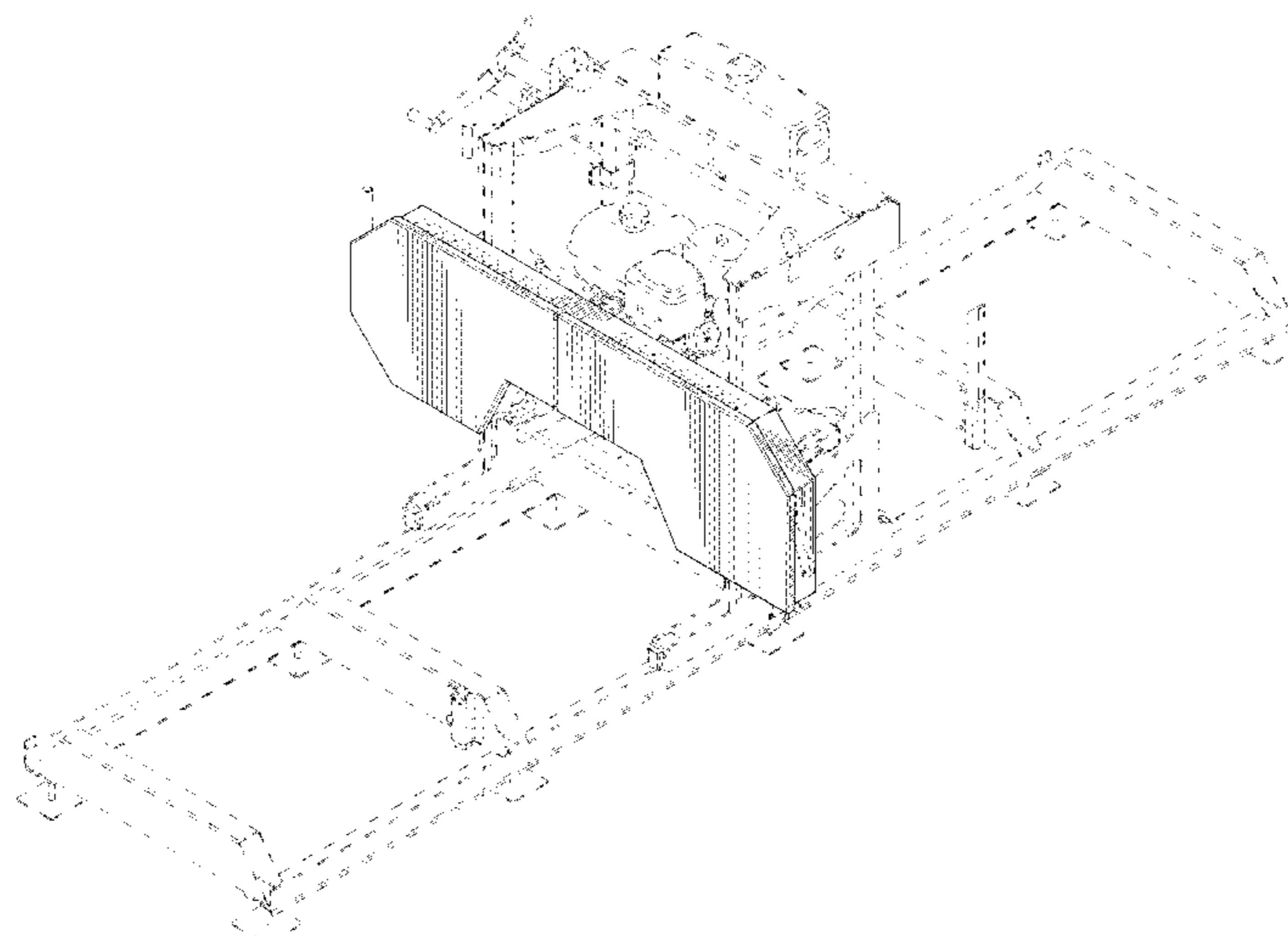
(57) **CLAIM**

We claim the ornamental design for a portable sawmill bandsaw housing, as shown and described.

DESCRIPTION

FIG. 1 is a top front perspective view of a portable sawmill bandsaw housing showing the design thereof;
FIG. 2 is a top rear perspective view of the design shown in FIG. 1;
FIG. 3 is a front elevation view of the design shown in FIG. 1;
FIG. 4 is a back elevation view of the design shown in FIG. 1;
FIG. 5 is a left side elevation view of the design shown in FIG. 1;
FIG. 6 is right side elevation view of the design shown in FIG. 1;
FIG. 7 is top plan view of the design shown in FIG. 1; and,
FIG. 8 is bottom plan view of the design shown in FIG. 1.
The broken lines in the drawings depict unclaimed environmental subject matter.

1 Claim, 8 Drawing Sheets



(56)

References Cited

U.S. PATENT DOCUMENTS

D638,040	S	5/2011	Dale et al.
D639,319	S	6/2011	Dale et al.
8,215,216	B2	7/2012	Dale
8,261,645	B2	9/2012	Dale et al.
8,261,647	B2	9/2012	Dale et al.
8,276,493	B2	10/2012	Dale et al.
D715,340	S	10/2014	Hynek
2001/0039737	A1	11/2001	Kordyak
2003/0024371	A1	2/2003	Gibson
2005/0139053	A1	6/2005	Yeh
2013/0283992	A1	10/2013	Belzile
2016/0236289	A1	8/2016	Voortman

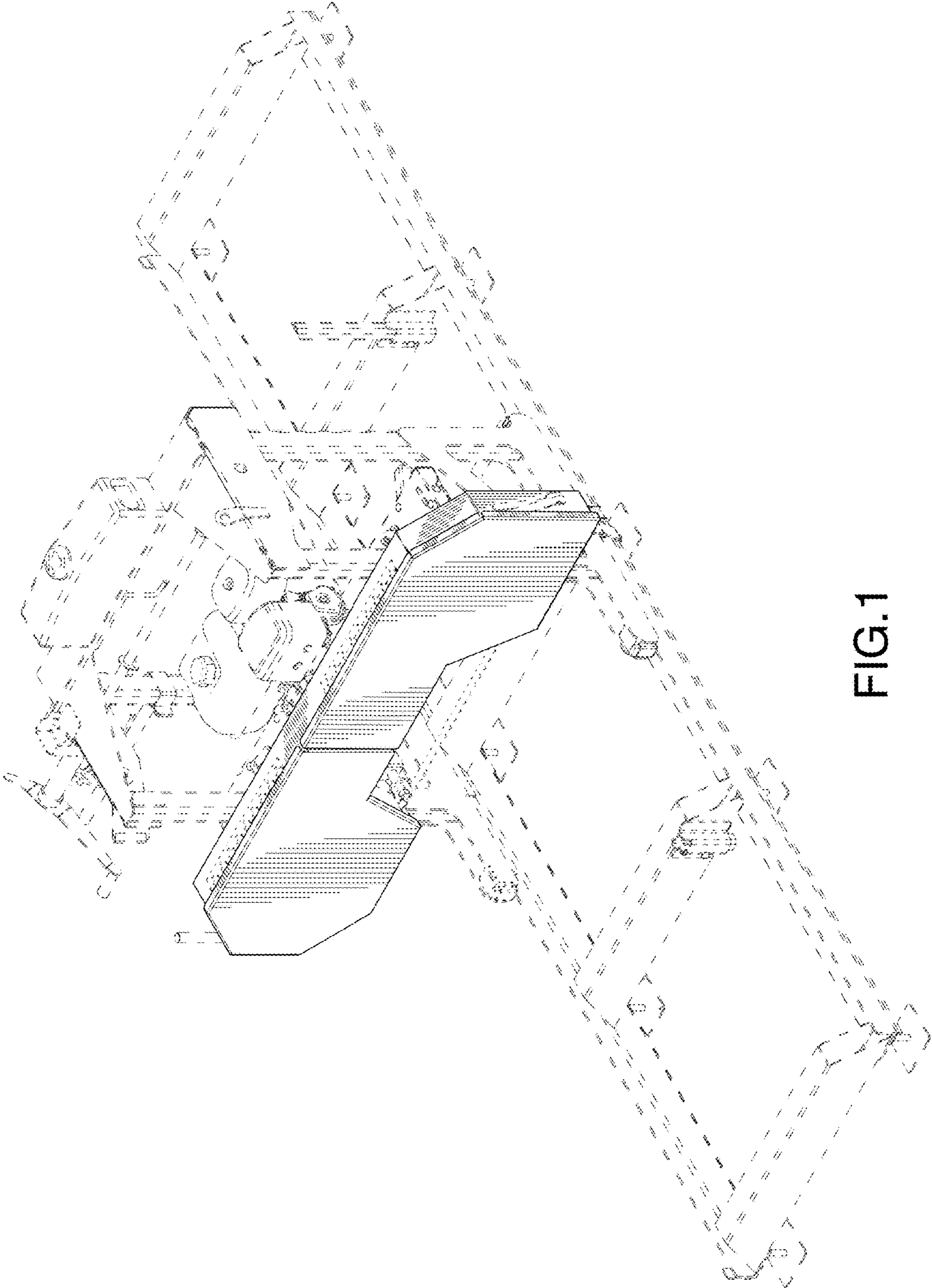


FIG.1

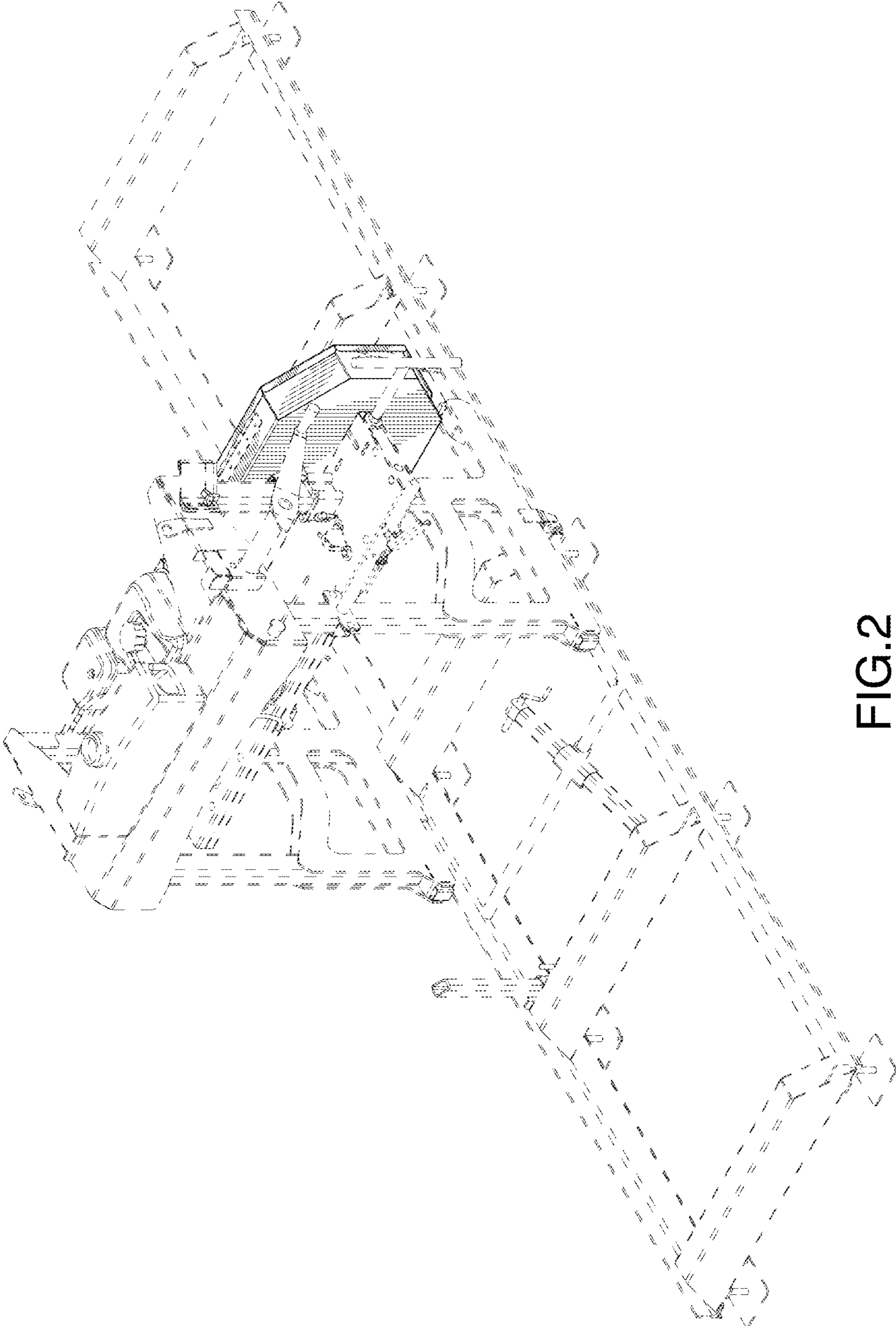


FIG.2

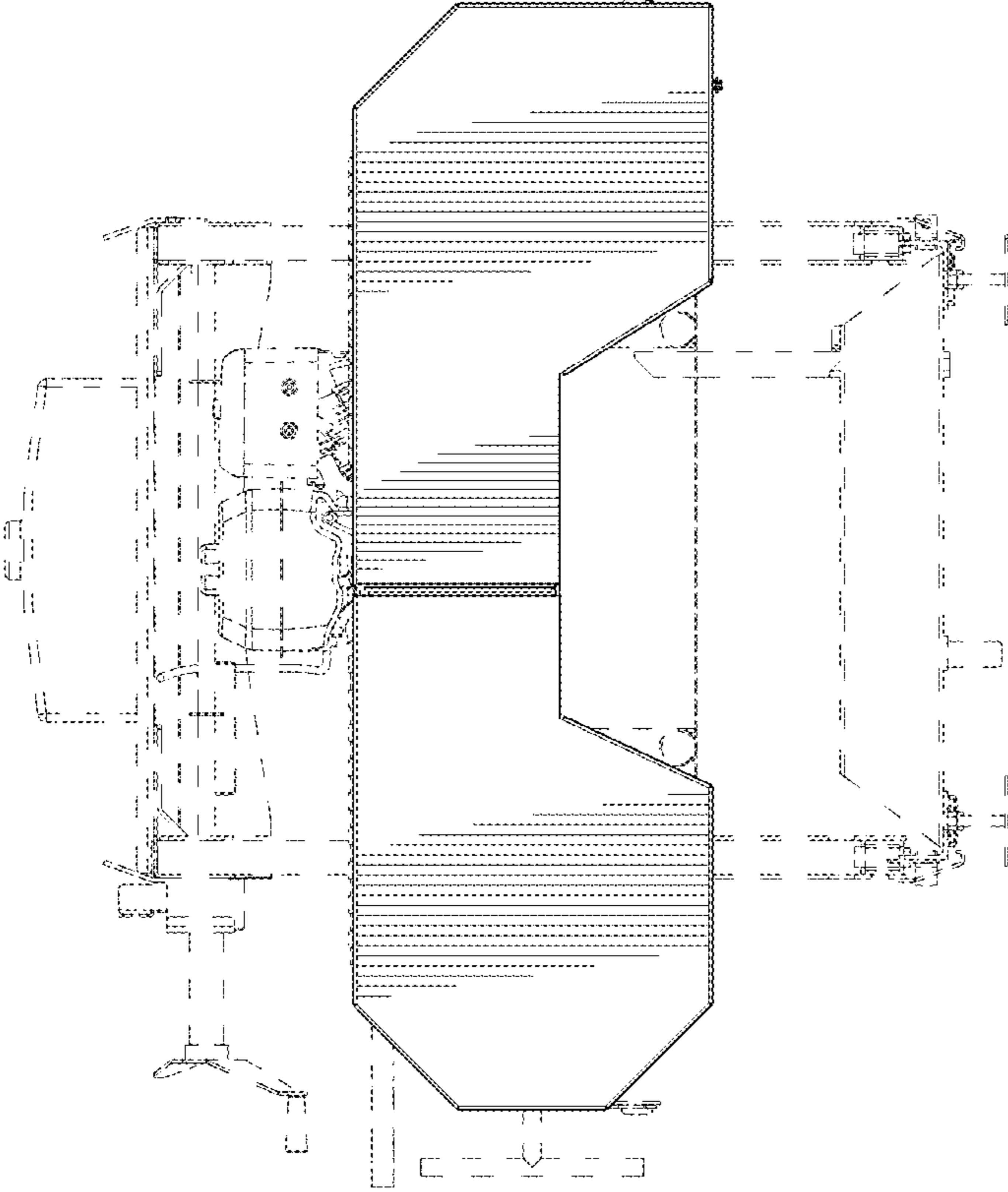


FIG.3

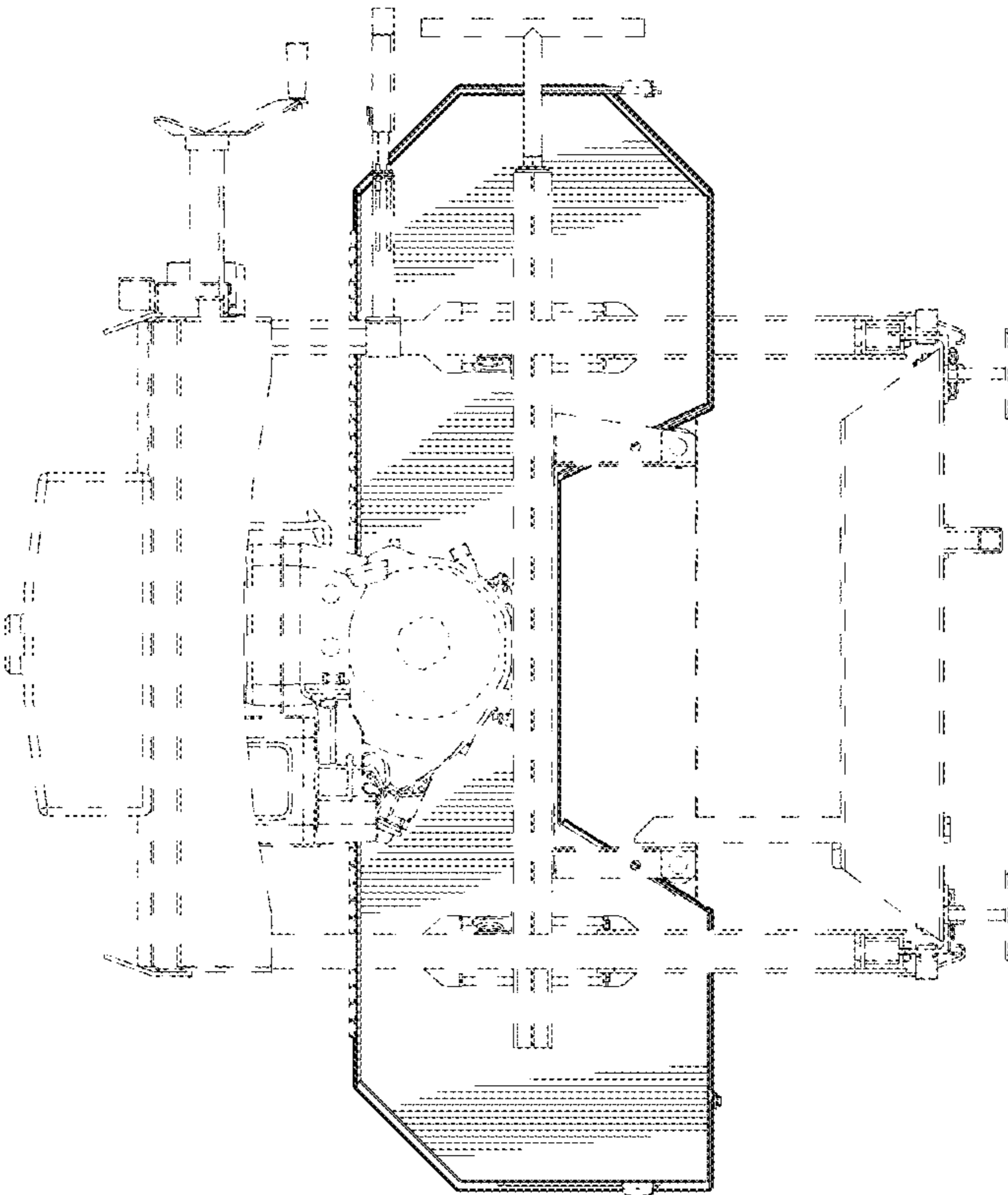


FIG. 4

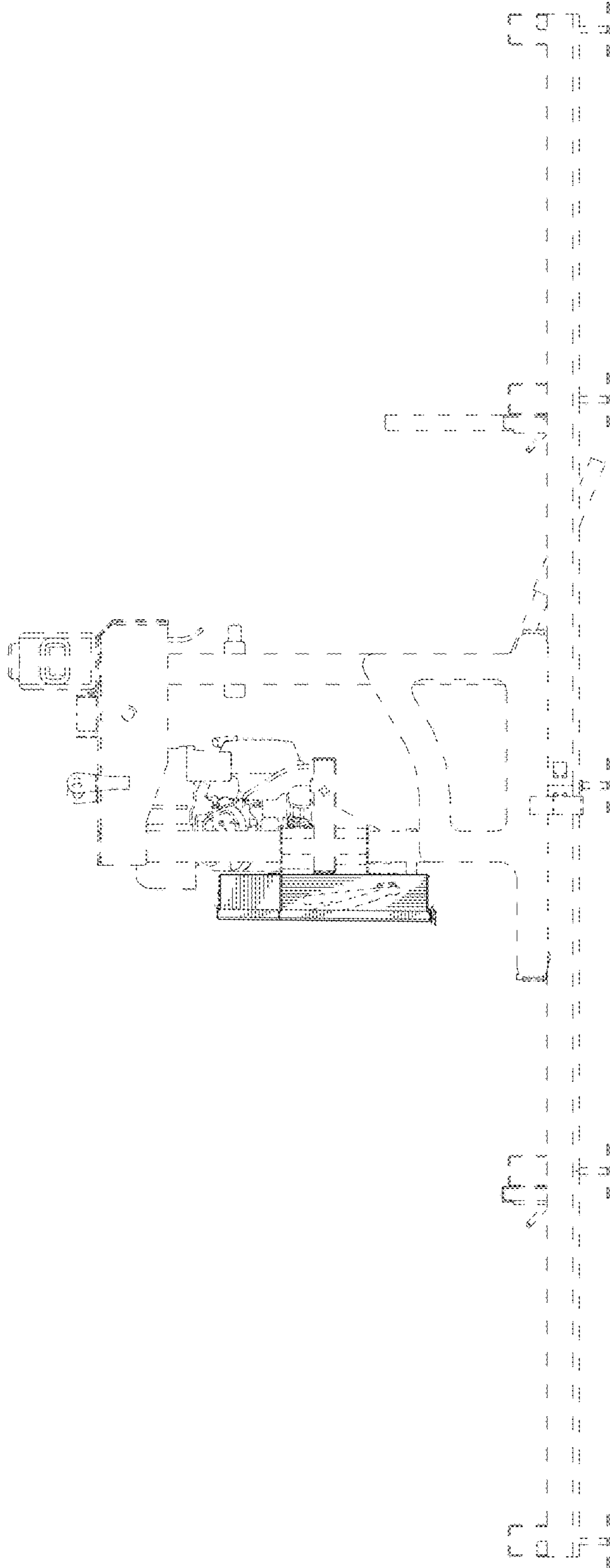


FIG.5

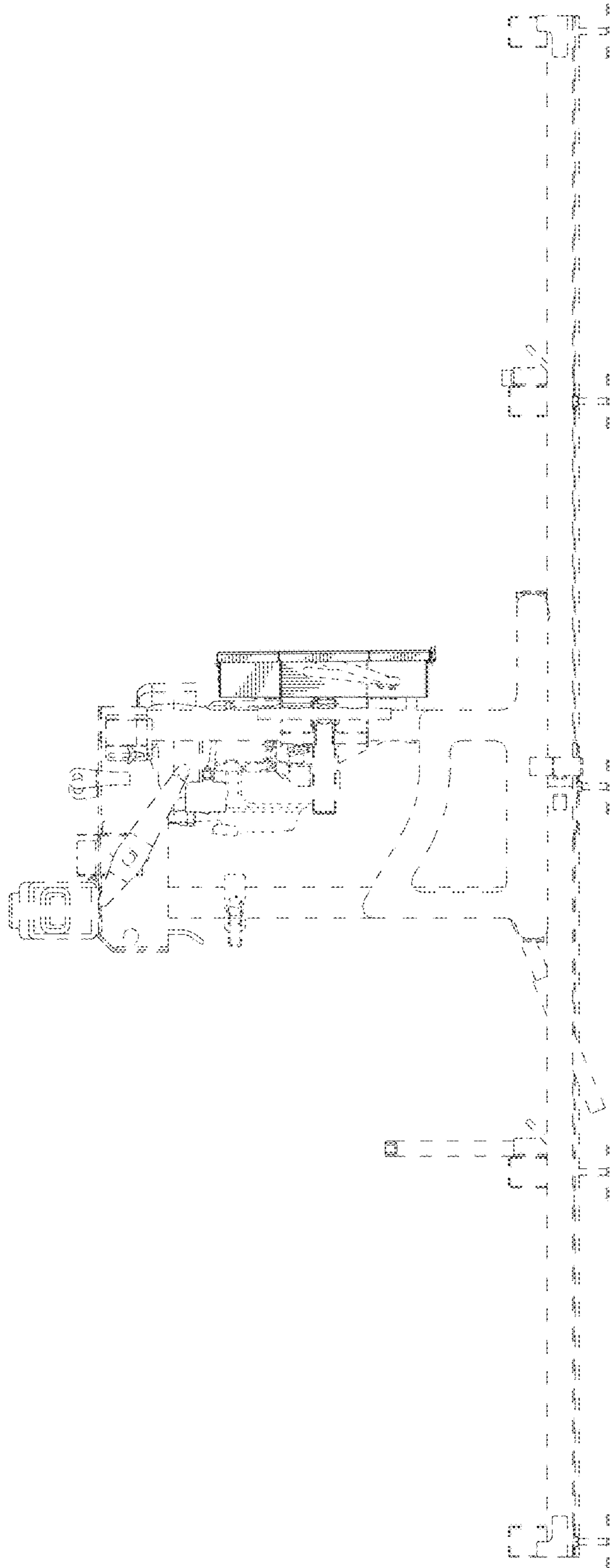


FIG. 6

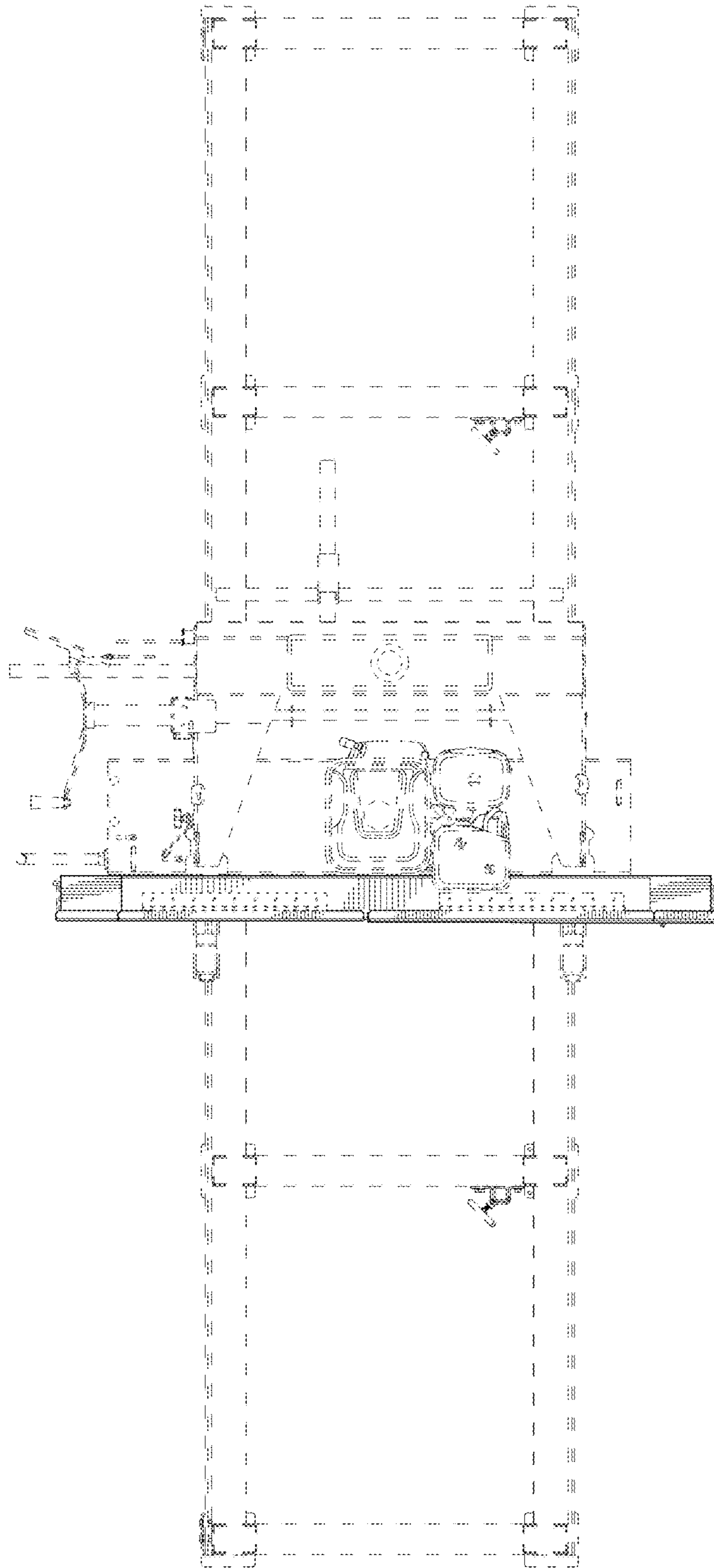


FIG.7

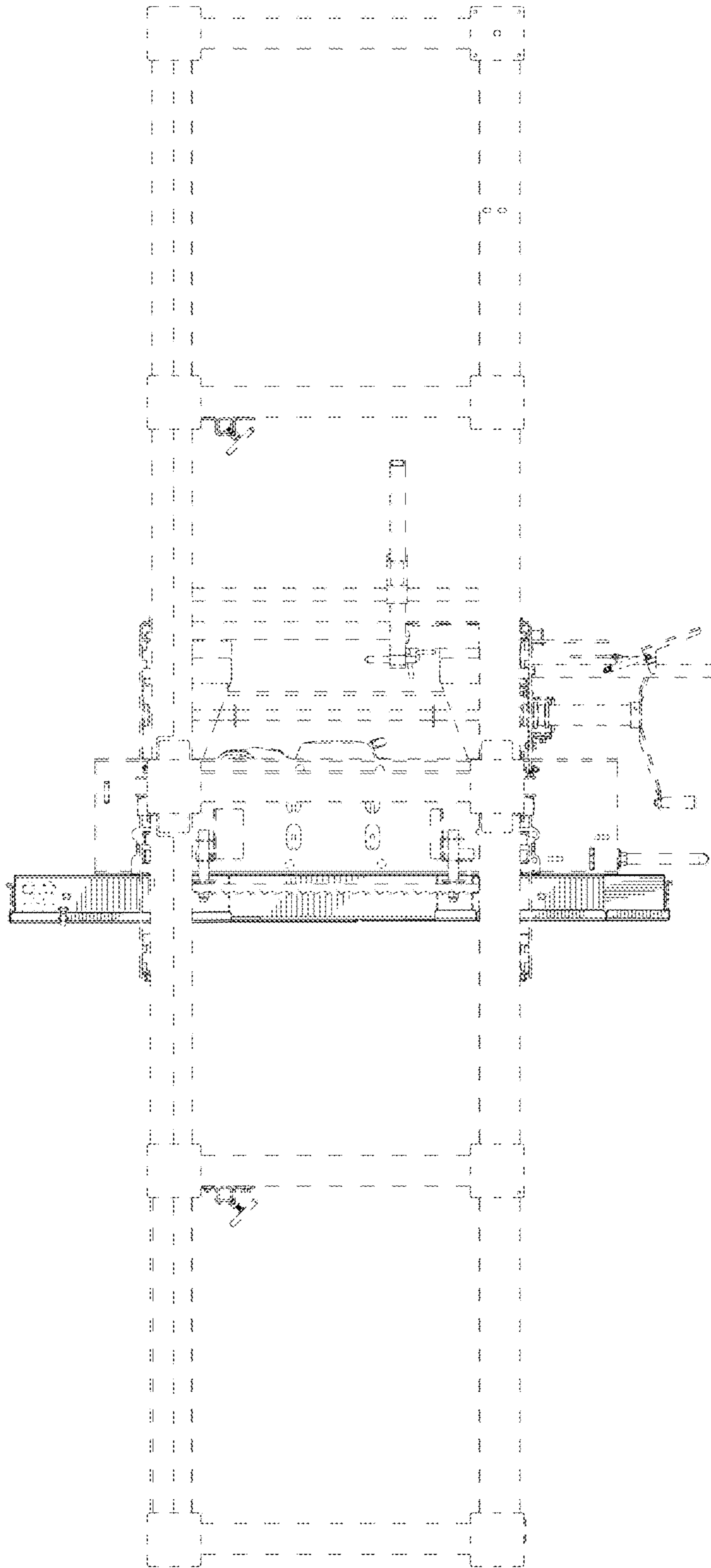


FIG. 8