



US00D816739S

(12) **United States Design Patent**
Hansen

(10) **Patent No.:** **US D816,739 S**

(45) **Date of Patent:** **** May 1, 2018**

(54) **SANDMIXER**

(71) Applicant: **DISA Industries A/S**, Taastrup (DK)

(72) Inventor: **Claus Ejvind Hansen**, Haslev (DK)

(73) Assignee: **DISA INDUSTRIES A/S**, Taastrup (DK)

(**) Term: **15 Years**

(21) Appl. No.: **29/565,800**

(22) Filed: **May 24, 2016**

(30) **Foreign Application Priority Data**

Nov. 25, 2015 (EM) 001442586-0001

Nov. 25, 2015 (EM) 001442586-0002

(51) **LOC (11) Cl.** **15-09**

(52) **U.S. Cl.**
USPC **D15/122**

(58) **Field of Classification Search**
USPC D15/19, 123, 138, 147
CPC B01F 7/10; B01F 7/00133; B01F 15/0298;
B01F 15/00032; B22C 5/0413
See application file for complete search history.

(56) **References Cited**

U.S. PATENT DOCUMENTS

- 1,337,373 A * 4/1920 Stokes B22C 5/049
238/10 R
- 1,508,031 A * 9/1924 Simpson B22C 5/0427
16/362
- 1,526,618 A * 2/1925 Wickland B01F 13/00
241/127
- 1,677,619 A * 7/1928 Cleminshaw B22C 5/049
366/345
- 1,948,805 A * 2/1934 Simpson B22C 5/0463
241/DIG. 10
- 1,969,523 A * 8/1934 Rapp B02C 15/14
241/124

- D122,379 S * 9/1940 Ball D15/19
- D192,102 S * 1/1962 Machovec D15/19
- 3,464,677 A * 9/1969 Sutter B01F 7/00141
366/17
- 3,885,774 A * 5/1975 Harris B01F 13/1002
366/20
- D258,213 S * 2/1981 Lydford D15/147
- D260,650 S * 9/1981 Alвити 366/128
- 4,304,493 A * 12/1981 Frankie B01F 13/1002
222/135
- 4,329,063 A * 5/1982 Edwards B01F 7/10
366/172.1
- 4,520,598 A * 6/1985 Rampe B24B 31/073
451/327
- 5,186,538 A * 2/1993 Ito B01F 7/1685
366/156.1
- D354,289 S * 1/1995 Fortenberry D15/19
- D388,447 S * 12/1997 Otto D15/147
- 6,386,747 B1 * 5/2002 Liao B28C 5/0806
366/46

(Continued)

Primary Examiner — Patricia A Palasik

(74) *Attorney, Agent, or Firm* — Birch, Stewart, Kolasch & Birch, LLP

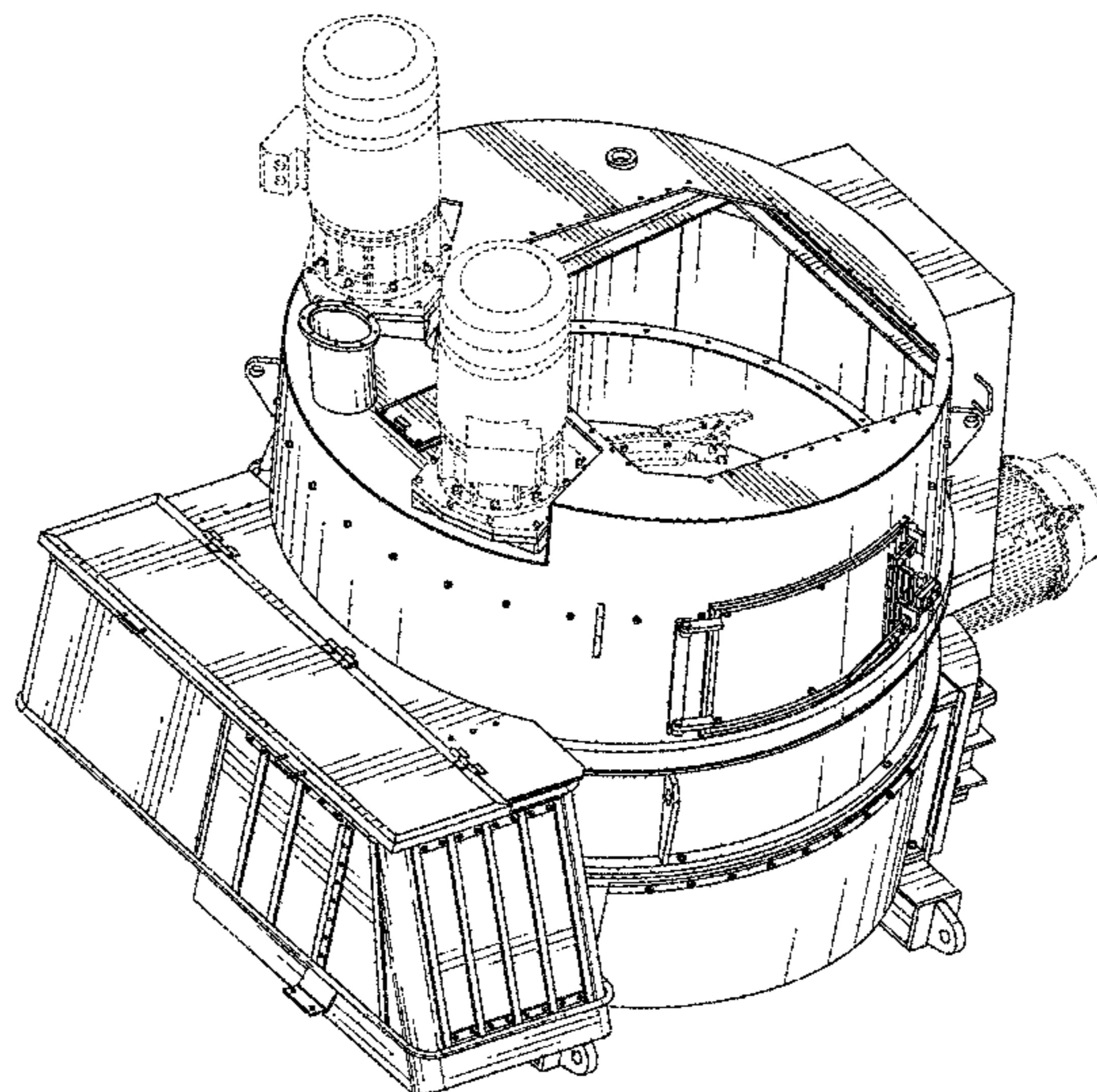
(57) **CLAIM**

The ornamental design for a sandmixer, as shown and described.

DESCRIPTION

FIG. 1 is a perspective view of the sandmixer; FIG. 2 is a front view of the sandmixer; FIG. 3 is a rear view of the sandmixer; FIG. 4 is a left side view of the sandmixer; FIG. 5 is a right side view of the sandmixer; FIG. 6 is a top view of the sandmixer; and, FIG. 7 is a bottom view of the sandmixer. The broken lines in the drawings depict unclaimed environmental subject matter.

1 Claim, 7 Drawing Sheets



(56)

References Cited

U.S. PATENT DOCUMENTS

6,461,033 B2 * 10/2002 Palmer B01F 7/186
366/185
D477,331 S * 7/2003 Tsai D15/19
D534,551 S * 1/2007 Kushlan D15/19
D583,398 S * 12/2008 Seiler D15/147
D662,117 S * 6/2012 Dorbath D15/147
D668,688 S * 10/2012 Kennard D15/19
D672,789 S * 12/2012 Bongiovanni D15/19
D724,632 S * 3/2015 Gunnarsson D15/123
D737,349 S * 8/2015 Johansson D15/123
D776,723 S * 1/2017 Pozzo D15/28
D779,570 S * 2/2017 Larsson D15/123
2008/0101153 A1 * 5/2008 Swisher B01F 7/00133
366/47
2014/0027445 A1 * 1/2014 Scheurs B01F 7/04
219/679
2014/0328135 A1 * 11/2014 Domlatil B01F 15/00
366/143
2015/0290607 A1 * 10/2015 Tolle B01F 7/00133
366/199

* cited by examiner

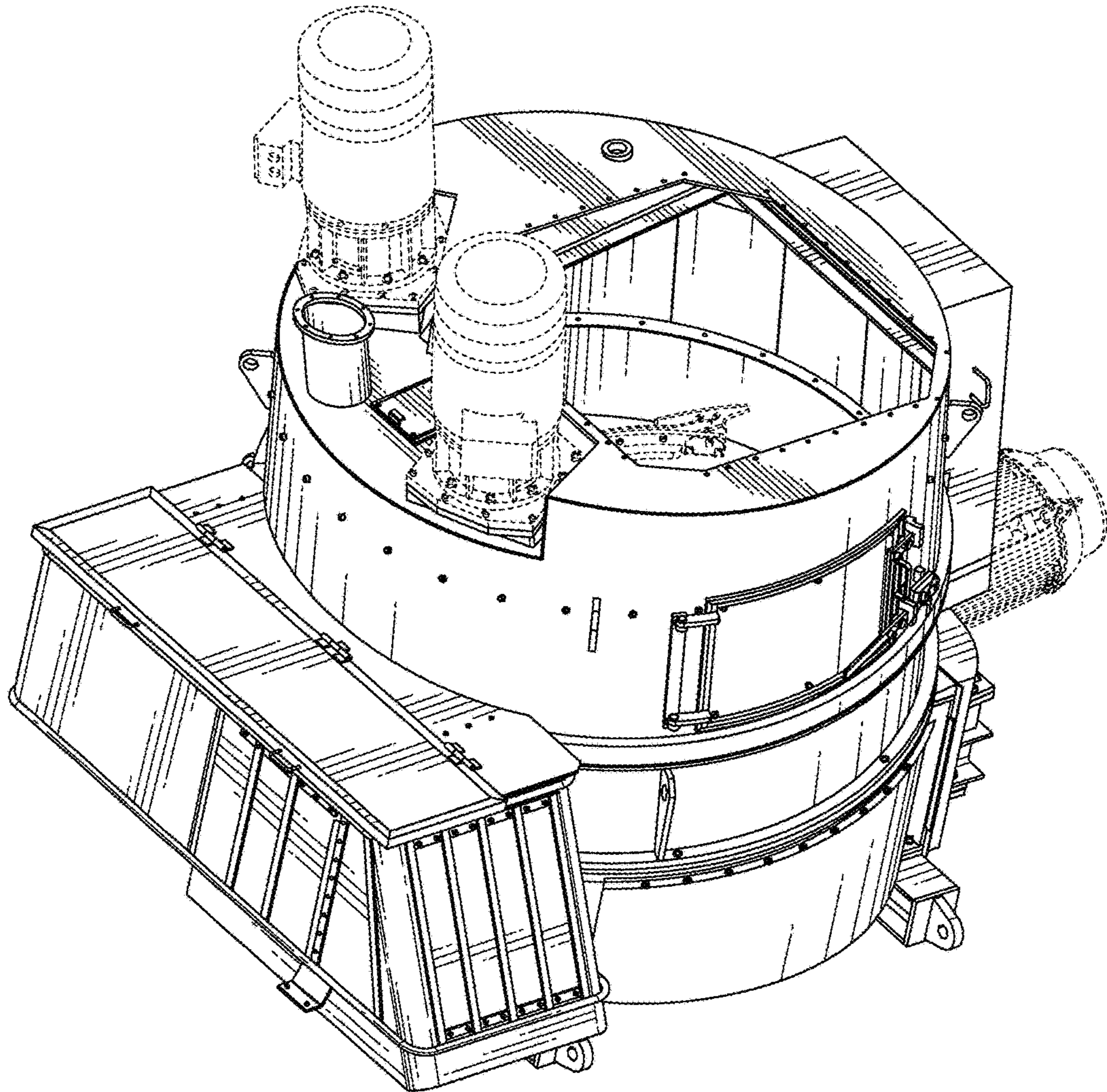


FIG. 1

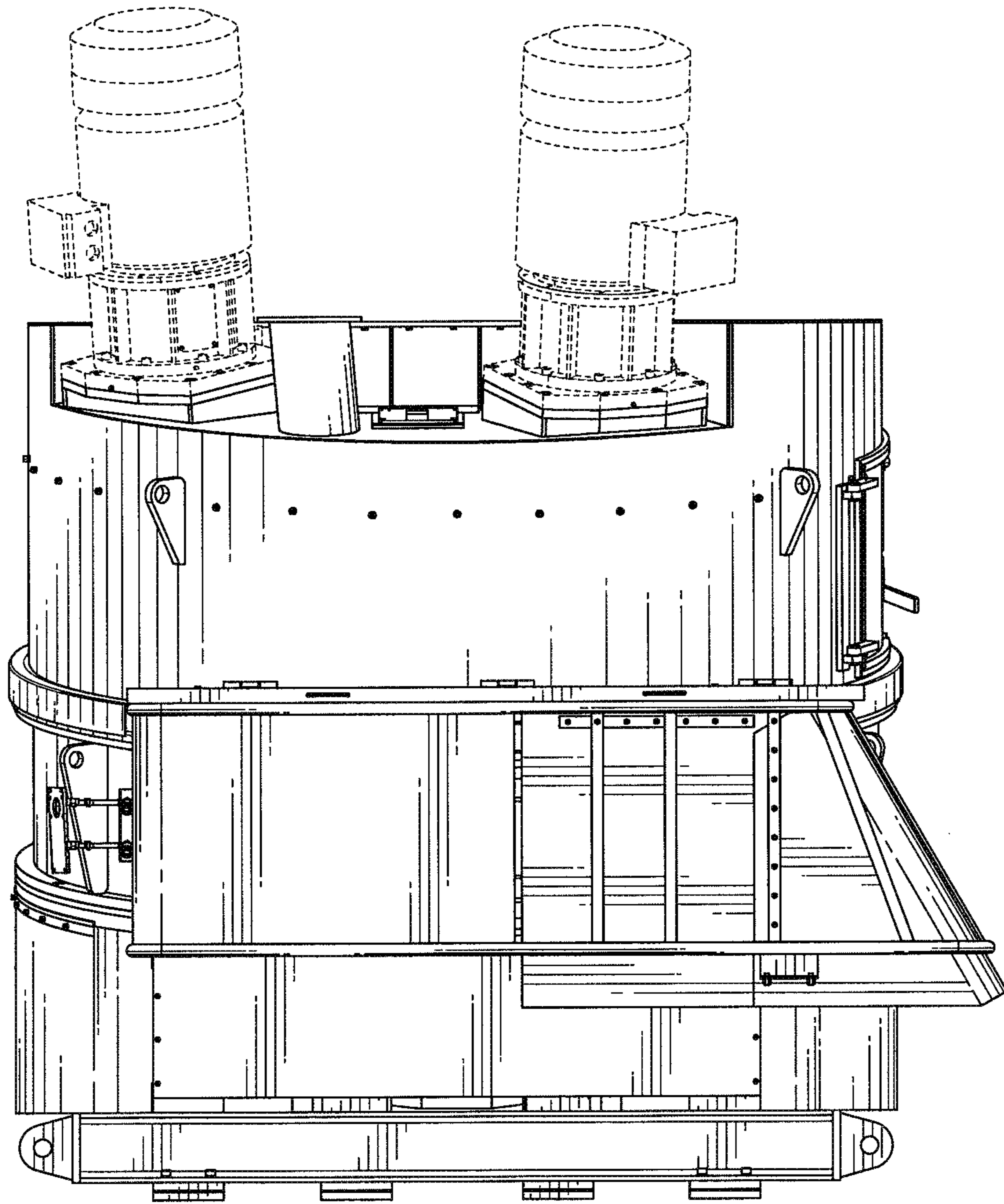


FIG. 2

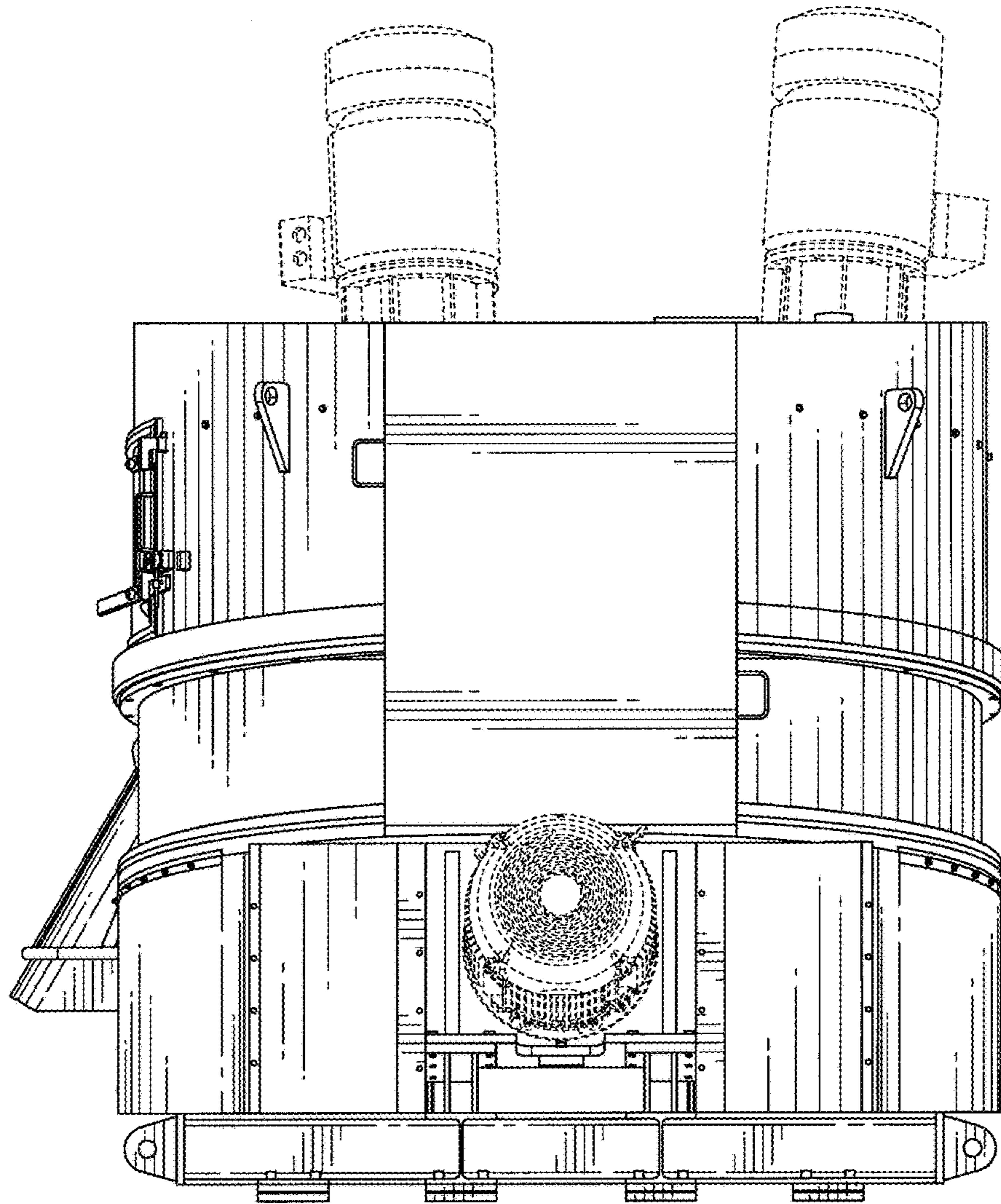


FIG. 3

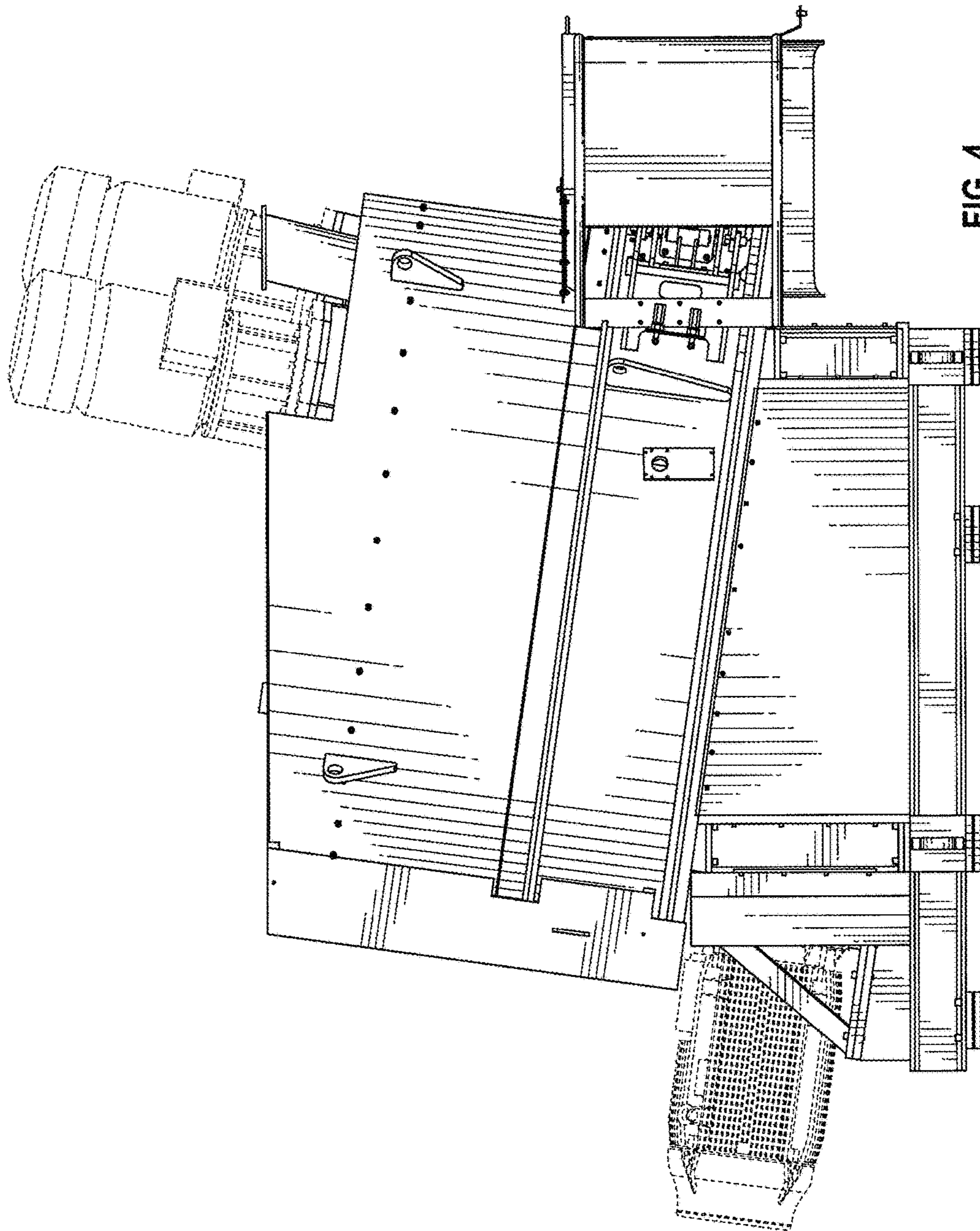


FIG. 4

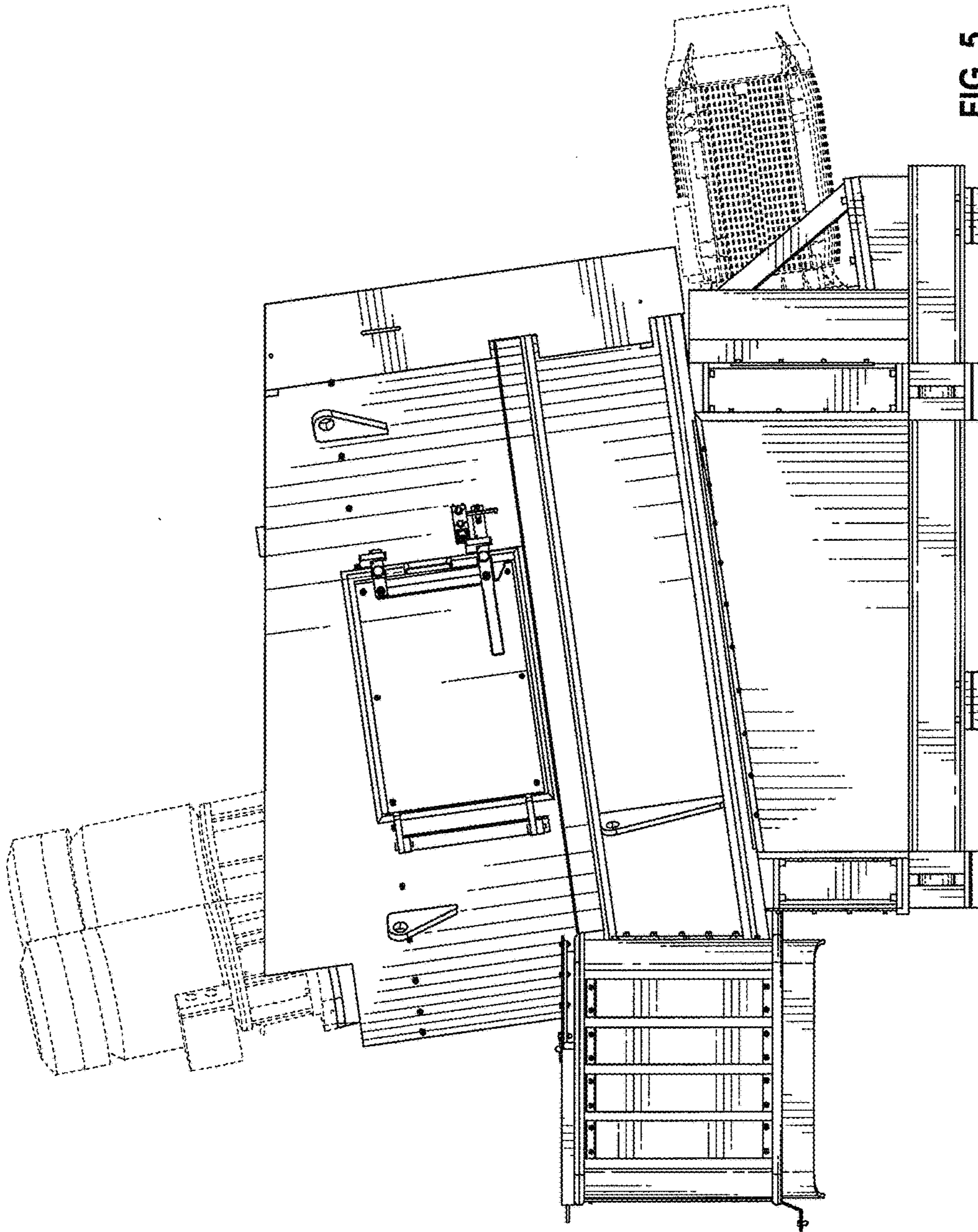


FIG. 5

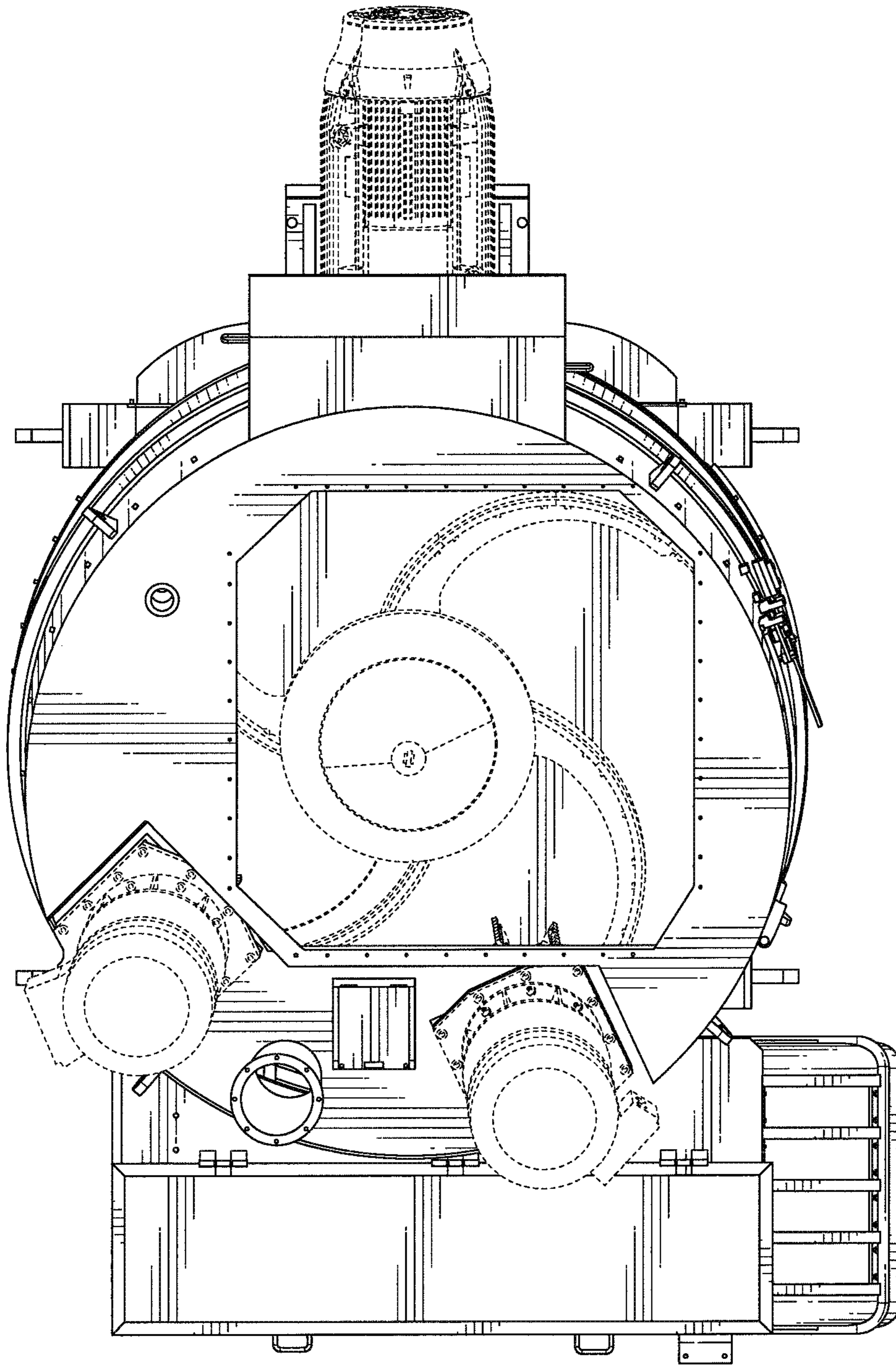


FIG. 6

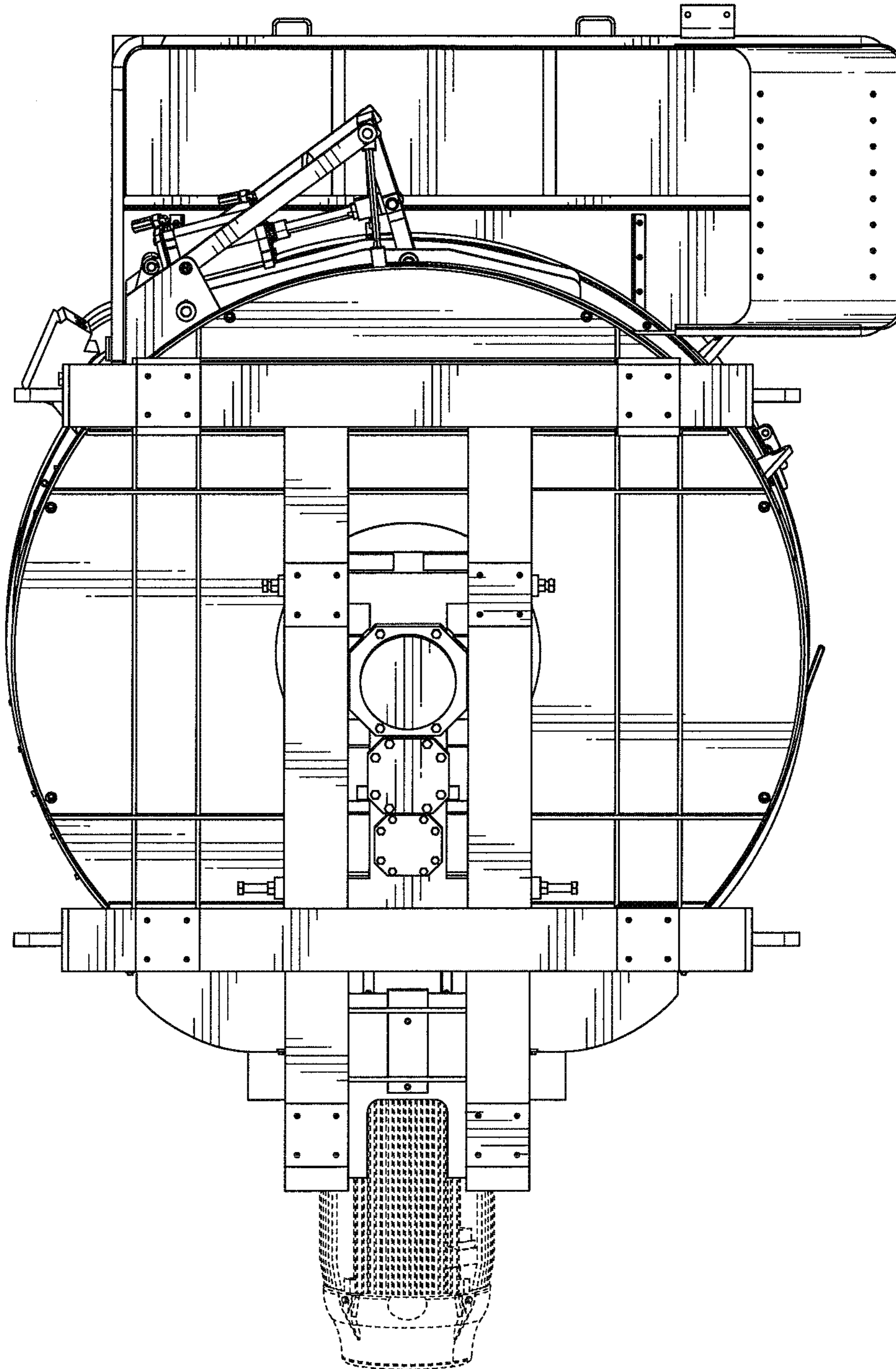


FIG. 7