



US00D816738S

(12) **United States Design Patent**
Kim

(10) **Patent No.:** **US D816,738 S**

(45) **Date of Patent:** **** May 1, 2018**

(54) **PRE-TREATMENT APPARATUS**

(71) Applicant: **Cheon-Soo Kim**, Namwon-si (KR)

(72) Inventor: **Cheon-Soo Kim**, Namwon-si (KR)

(**) Term: **15 Years**

(21) Appl. No.: **29/561,755**

(22) Filed: **Apr. 19, 2016**

(51) **LOC (11) Cl.** **15-09**

(52) **U.S. Cl.**
USPC **D15/122**

(58) **Field of Classification Search**
USPC D15/122, 135, 138, 199
CPC B41M 5/52; B41M 5/502; B41M 5/0017;
B41M 5/5218; B41M 2205/40; C09D
11/38; C09D 11/40; C09D 11/54
See application file for complete search history.

(56) **References Cited**

U.S. PATENT DOCUMENTS

D419,573 S *	1/2000	Kawahara	D15/122
D424,584 S *	5/2000	Kawahara	D15/122
D464,363 S *	10/2002	Saito	D15/122
D578,144 S *	10/2008	Arisue	D15/122
D601,597 S *	10/2009	Barbieri	B05C 1/08 D15/122
D690,331 S *	9/2013	Kitamura	D15/122
D694,298 S *	11/2013	Hoelbl	D15/122
D694,787 S *	12/2013	Mueller	D15/122
D697,964 S *	1/2014	Fukasawa	D18/55
D716,351 S *	10/2014	Kitamura	D15/122
D717,850 S *	11/2014	Kawai	D15/199

D718,353 S *	11/2014	Kato	D15/122
D718,795 S *	12/2014	Schonherr	D15/122
D732,590 S *	6/2015	Bedeschi	D15/122
D734,787 S *	7/2015	Schonherr	D15/122
D734,814 S *	7/2015	Yeh	D18/50
D759,133 S *	6/2016	Kitamura	D15/122
D759,738 S *	6/2016	Schonherr	D15/122
D762,748 S *	8/2016	Schonherr	D15/122
D767,652 S *	9/2016	Schonherr	D15/122
D795,319 S *	8/2017	Bedeschi	D15/122
2012/0281053 A1 *	11/2012	Kubota	B41J 3/4075 347/211
2016/0339634 A1 *	11/2016	Fuller	B29C 67/0055

* cited by examiner

Primary Examiner — Patricia A Palasik

(74) *Attorney, Agent, or Firm* — Ichthus International Law, PLLC

(57) **CLAIM**

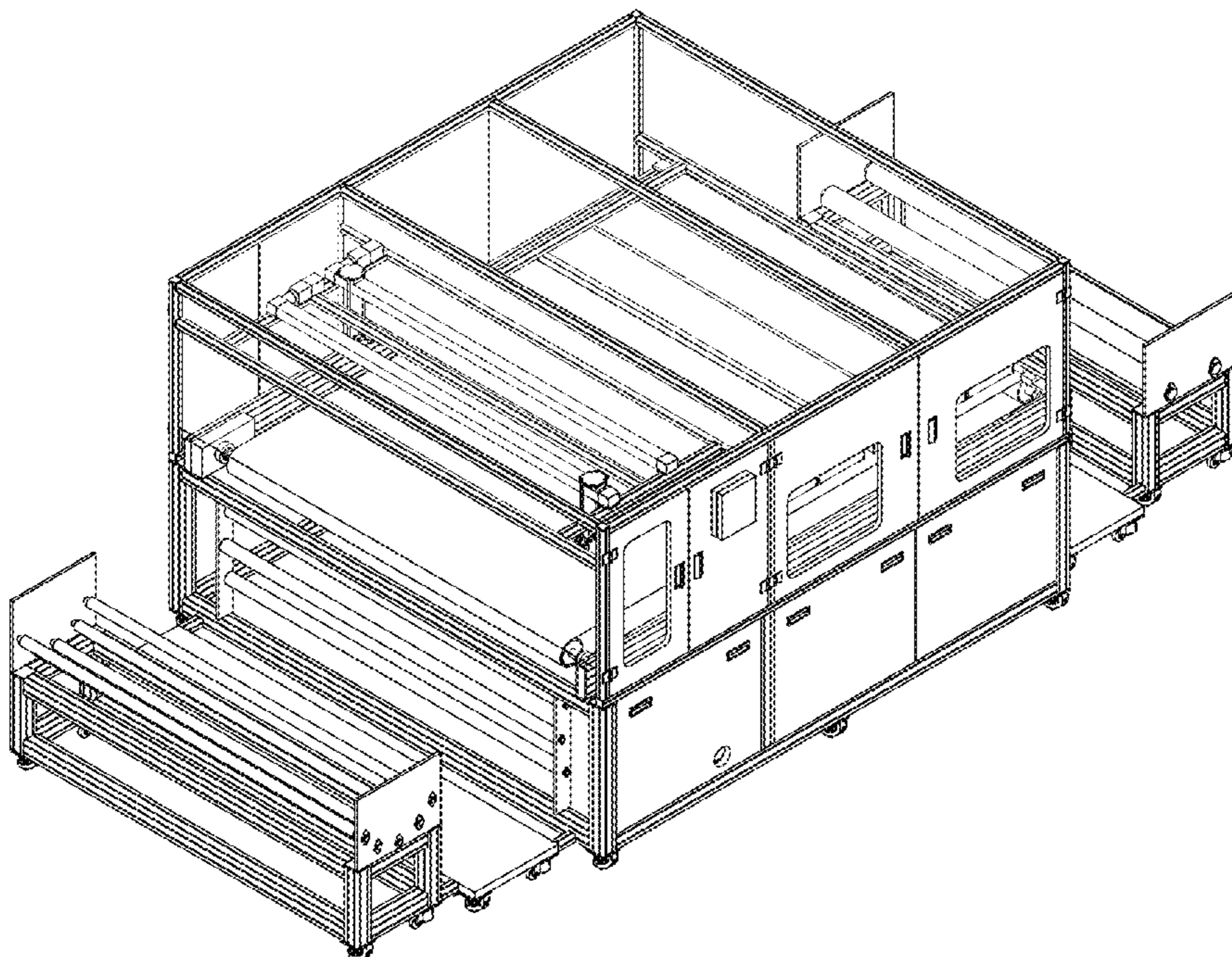
The ornamental design for a pre-treatment apparatus, substantially as shown and described.

DESCRIPTION

FIG. 1 is a front perspective view of a pre-treatment apparatus in accordance with the present invention;
FIG. 2 is a front view thereof;
FIG. 3 is a left side view thereof;
FIG. 4 is a right side view thereof;
FIG. 5 is a rear view thereof;
FIG. 6 is a top plan view thereof; and,
FIG. 7 is a rear perspective view thereof.

The article of manufacture is a pre-treatment apparatus for spraying a pre-treatment liquid before printing for improved printing quality.

1 Claim, 7 Drawing Sheets



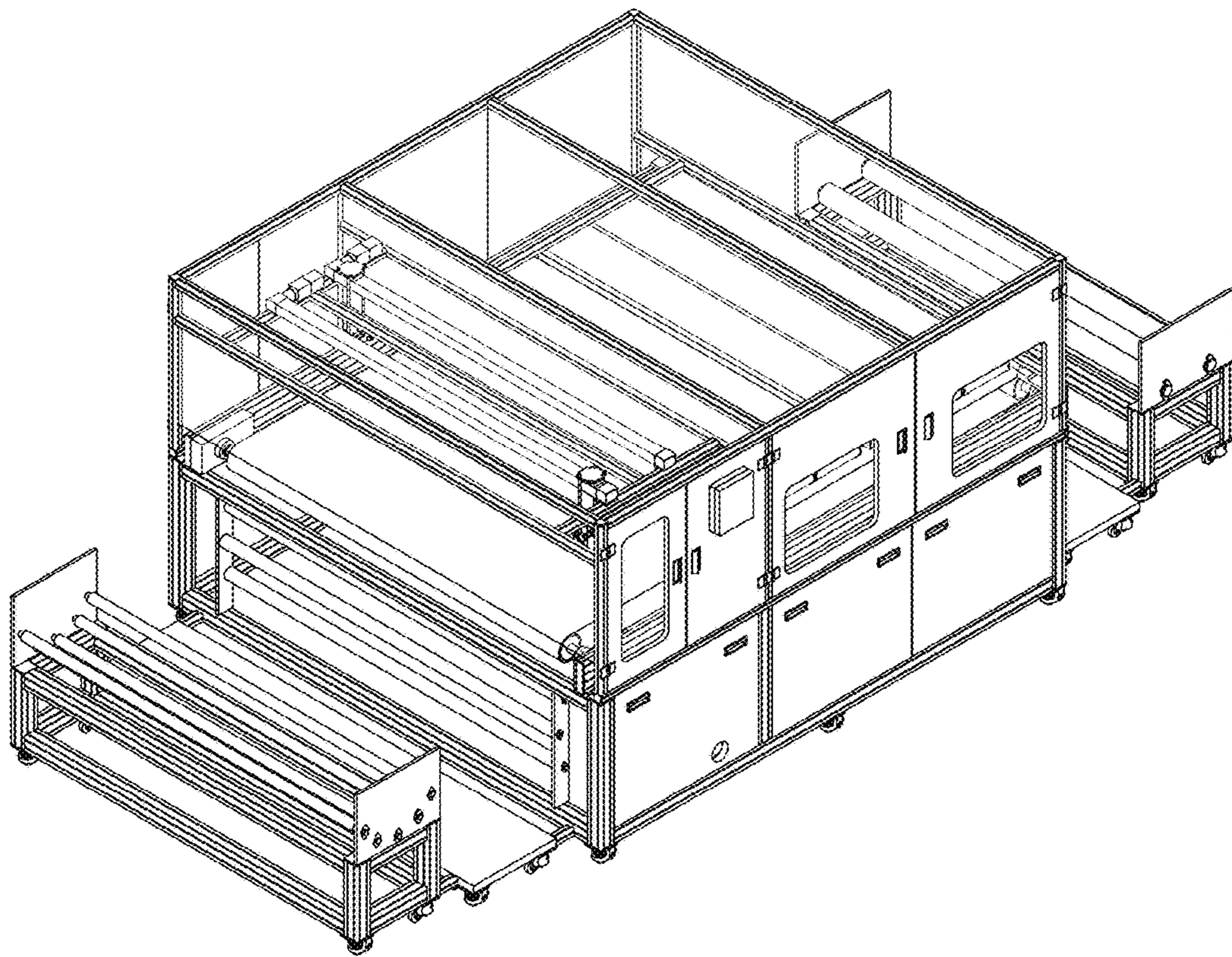


FIG.1

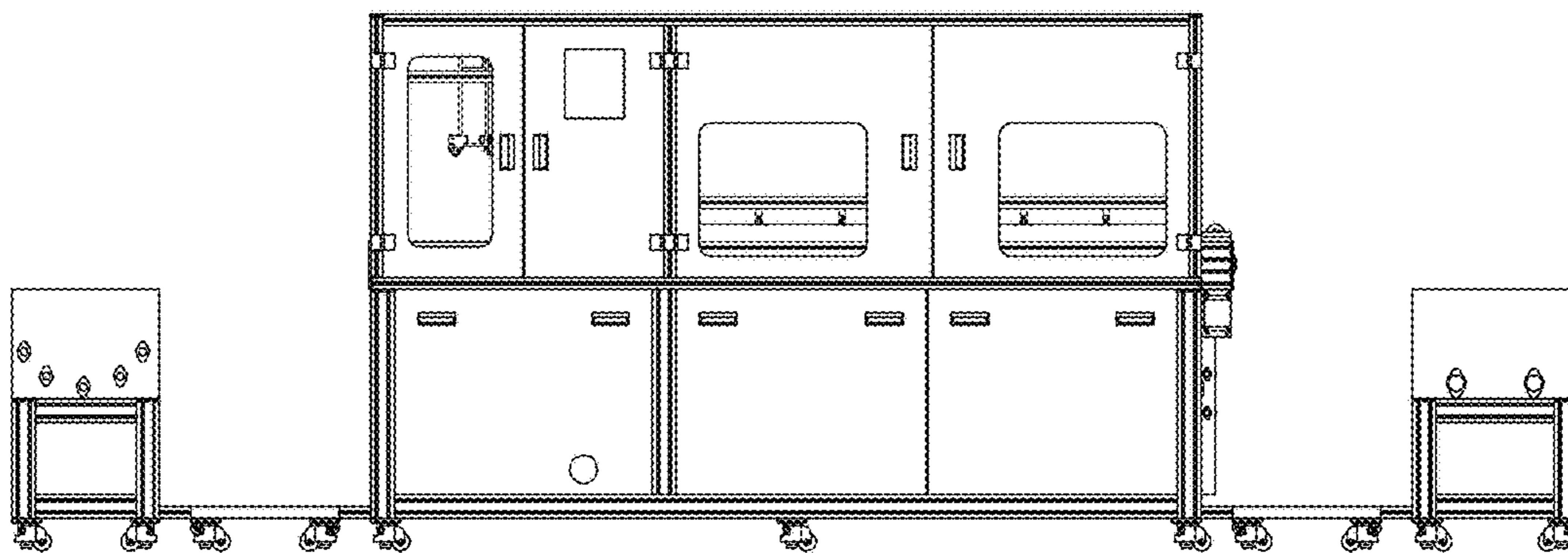


FIG.2

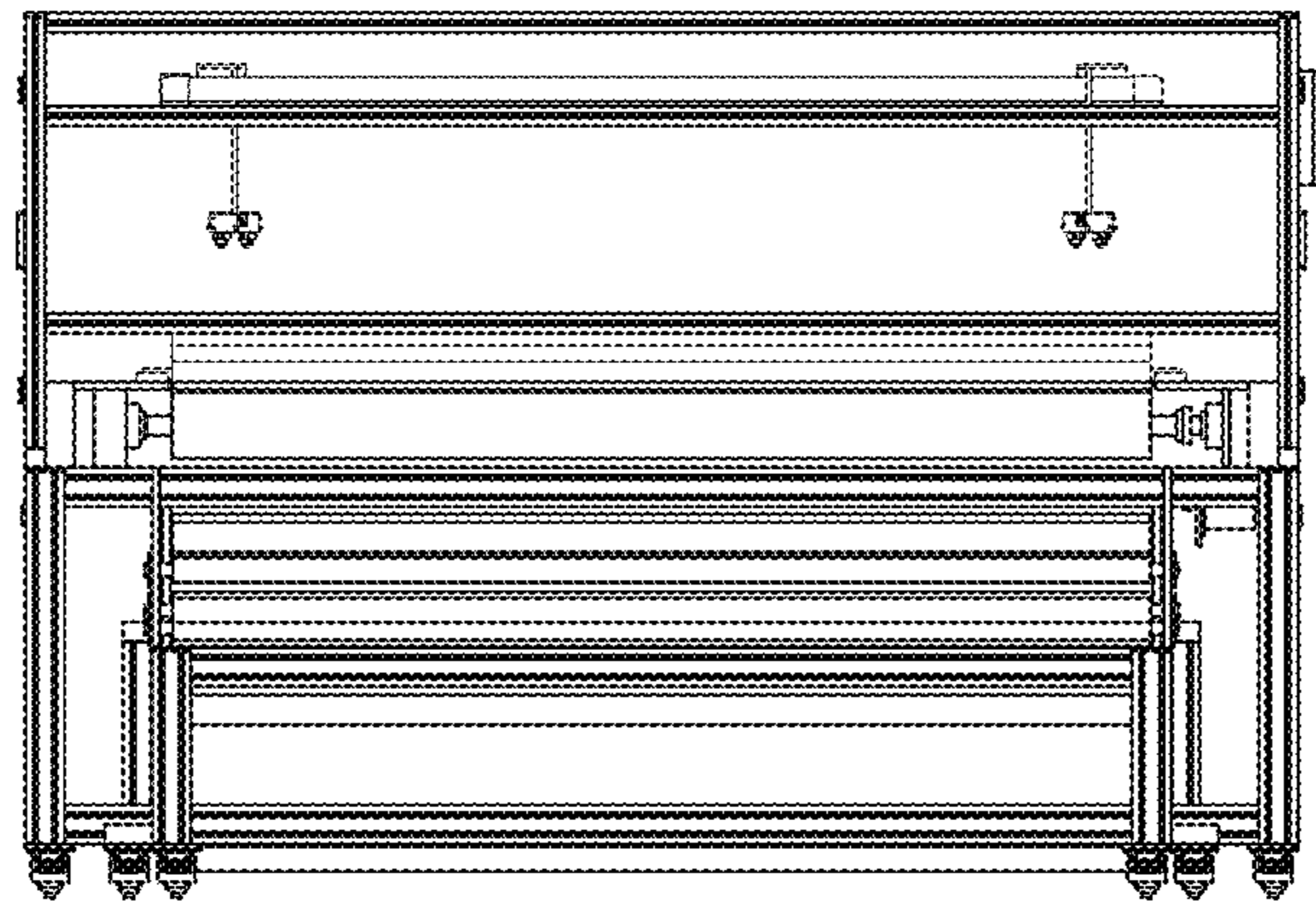


FIG.3

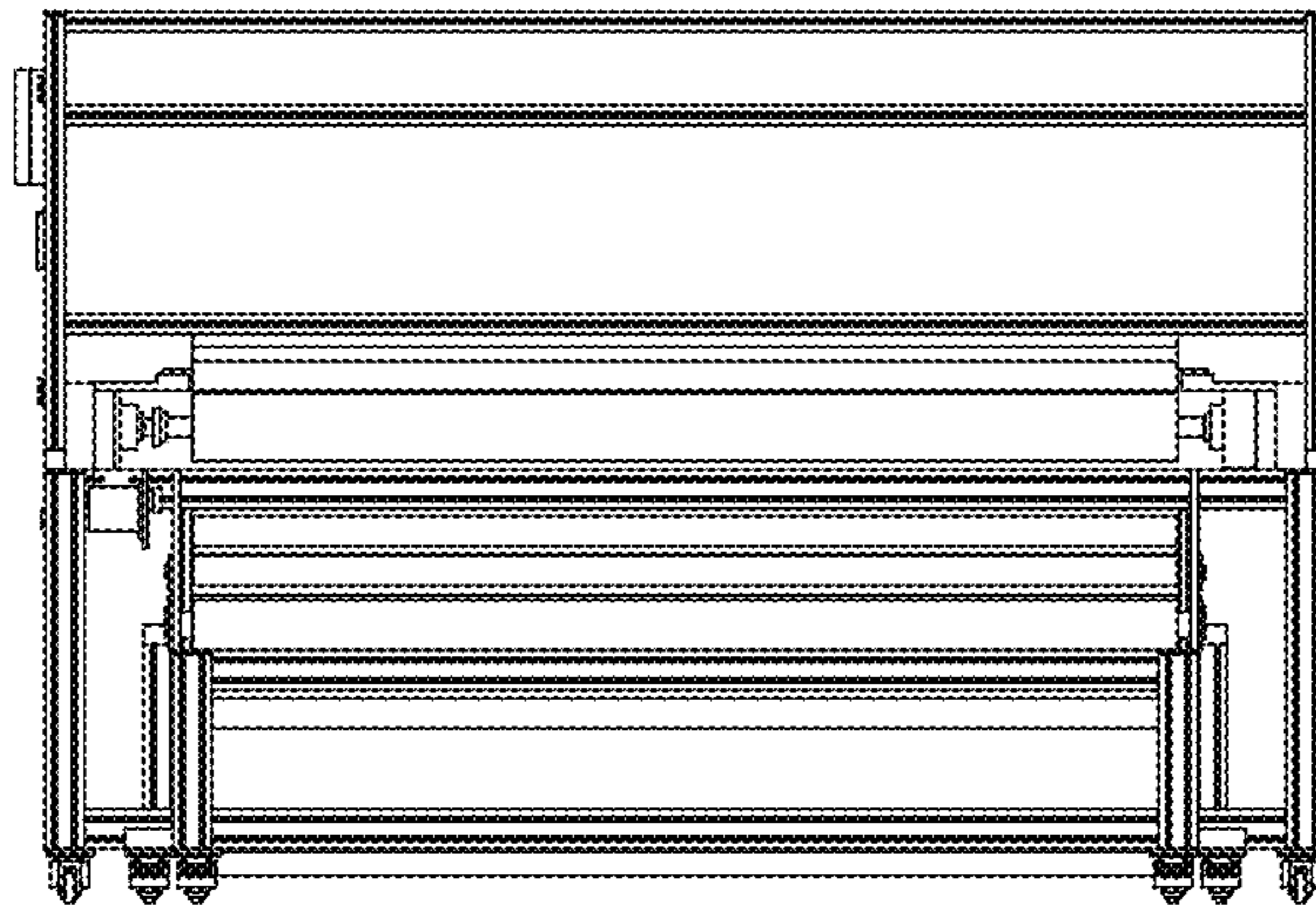


FIG.4

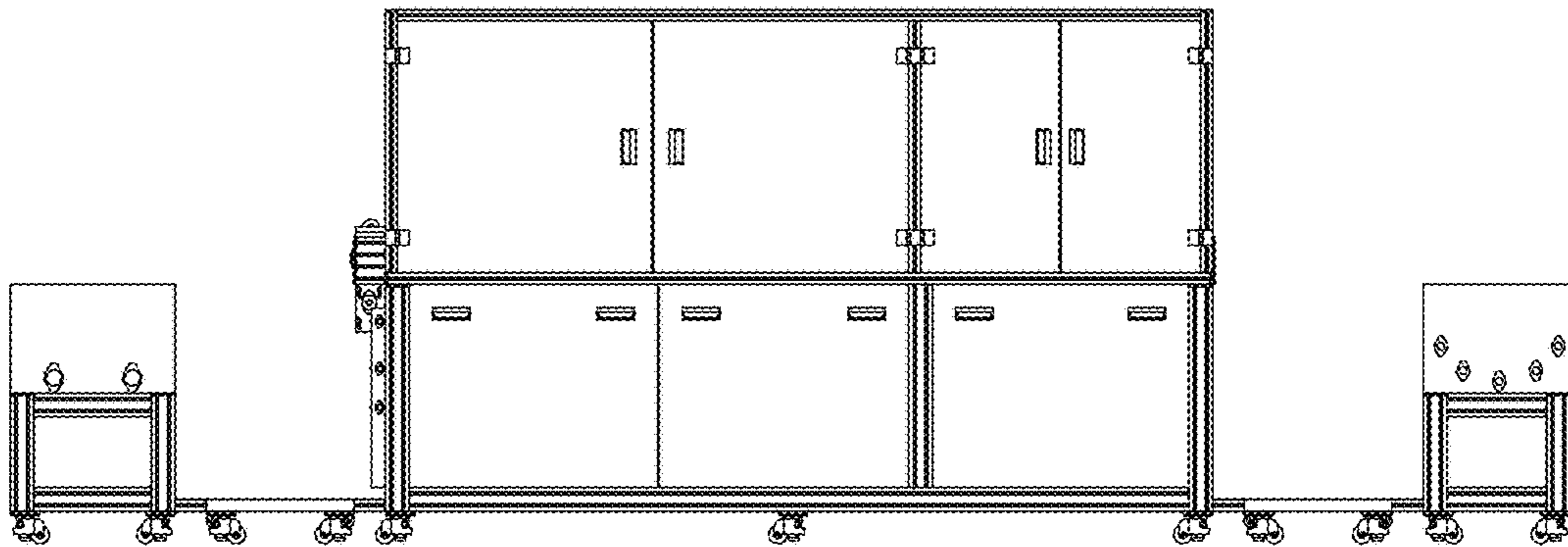


FIG.5

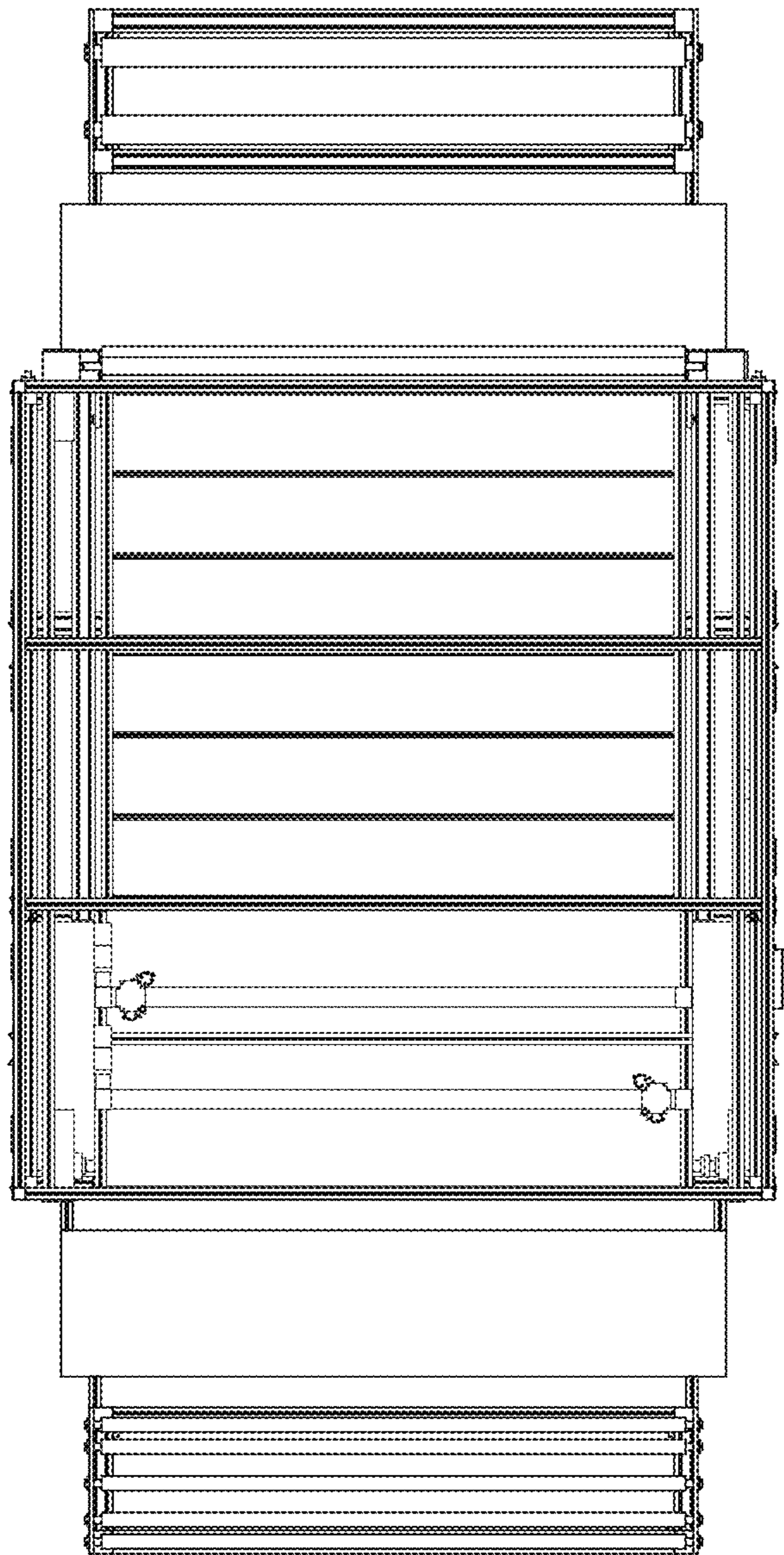


FIG.6

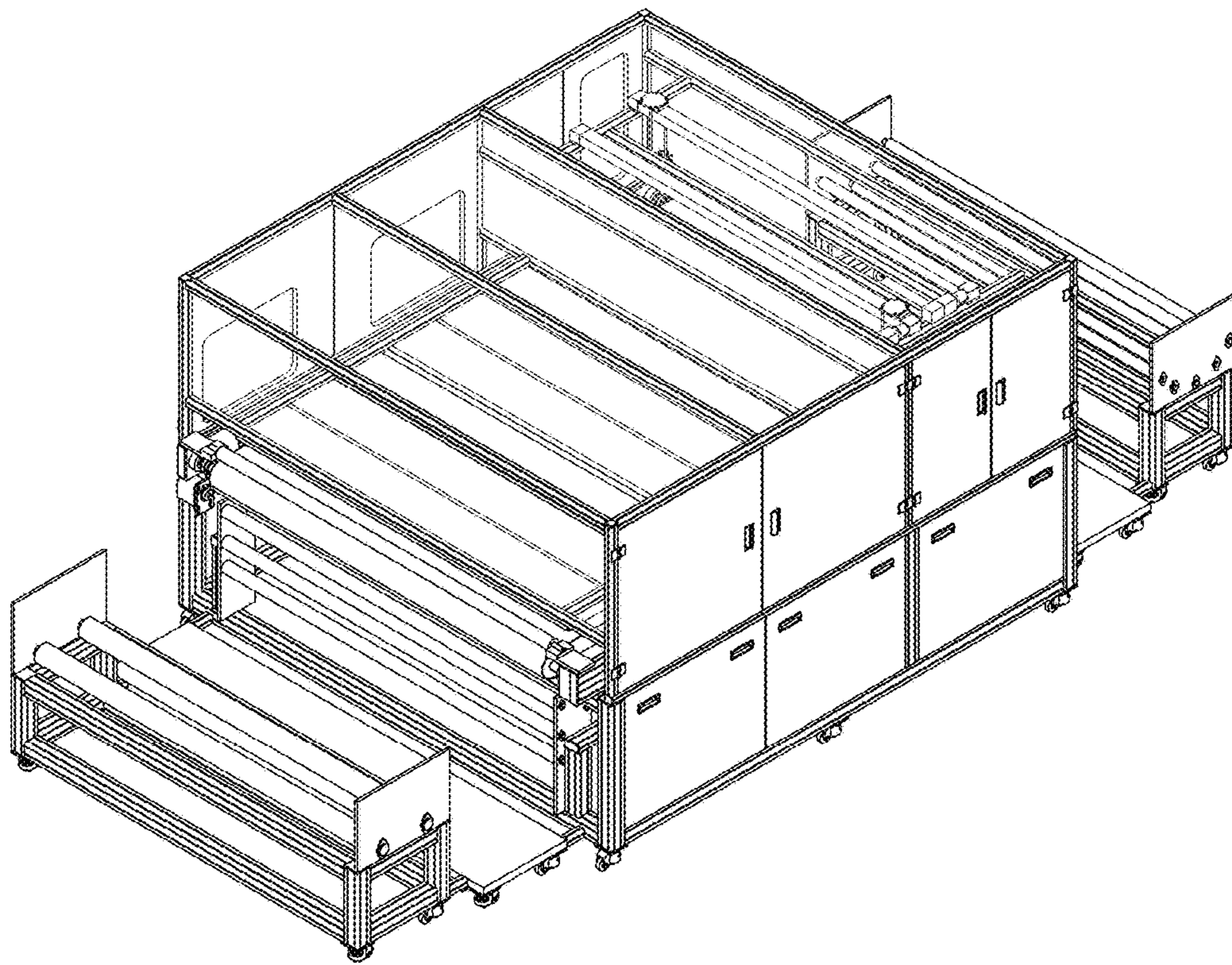


FIG.7