



US00D816737S

(12) **United States Design Patent** (10) **Patent No.:** **US D816,737 S**
Kim (45) **Date of Patent:** **** May 1, 2018**

(54) **REFRIGERATOR**

D567,262 S * 4/2008 Crookshanks D15/91
D577,373 S * 9/2008 Crookshanks D15/91
D642,600 S * 8/2011 Kristiansen D15/86

(71) Applicant: **LG ELECTRONICS INC.**, Seoul (KR)

(Continued)

(72) Inventor: **Miok Kim**, Seoul (KR)

Primary Examiner — Richard E Chilcot

(73) Assignee: **LG Electronics Inc.**, Seoul (KR)

(74) *Attorney, Agent, or Firm* — Birch, Stewart, Kolasch & Birch, LLP

(**) Term: **15 Years**

(57) **CLAIM**

(21) Appl. No.: **35/501,625**

The ornamental design for a refrigerator, as shown and described.

(22) Filed: **Mar. 31, 2016**

DESCRIPTION

(80) **Hague Agreement Data**

Int. Filing Date: **Mar. 31, 2016**
Int. Reg. No.: **DM/091105**
Int. Reg. Date: **Mar. 31, 2016**
Int. Reg. Pub. Date: **Sep. 30, 2016**

1. Refrigerator
1.1 is a perspective view of a refrigerator showing our new design;
1.2 is a front elevation view thereof;
1.3 is a rear elevation view thereof;
1.4 is a left-side elevation view thereof;
1.5 is a right-side elevation view thereof;
1.6 is a top plan view thereof;
1.7 is a bottom plan view thereof;
1.8 is a perspective view thereof, wherein the outer door is in an opened position;
1.9 is a front view thereof, wherein the outer door is in an opened position;
1.10 is a right-side view thereof, wherein the outer door is in an opened position;
1.11 is a top plan view thereof, wherein the outer door is in an opened position;
1.12 is a perspective view thereof, wherein each of the inner and outer doors is in an opened position;
1.13 is a front view thereof, wherein each of the inner and outer doors is in an opened position;
1.14 is a right-side view thereof, wherein each of the inner and outer doors is in an opened position;
1.15 is a top plan view thereof, wherein each of the inner and outer doors is in an opened position; and
1.16 is a perspective view thereof, wherein the inside of the door is seen through a 'see-through' type of window.

(30) **Foreign Application Priority Data**

Oct. 8, 2015 (KR) 30-2015-0050855

(51) **LOC (11) Cl.** **15-07**

(52) **U.S. Cl.**
USPC **D15/91**
CPC **F25D 23/00** (2013.01)

(58) **Field of Classification Search**

USPC D15/79-91
CPC F25D 23/00; F25D 2323/021; F25D 11/00;
F25D 2323/024; F25D 23/04; F25D
25/024; F25D 27/005; F25D 23/12; F25D
29/005; F25D 17/042; F25D 2325/021

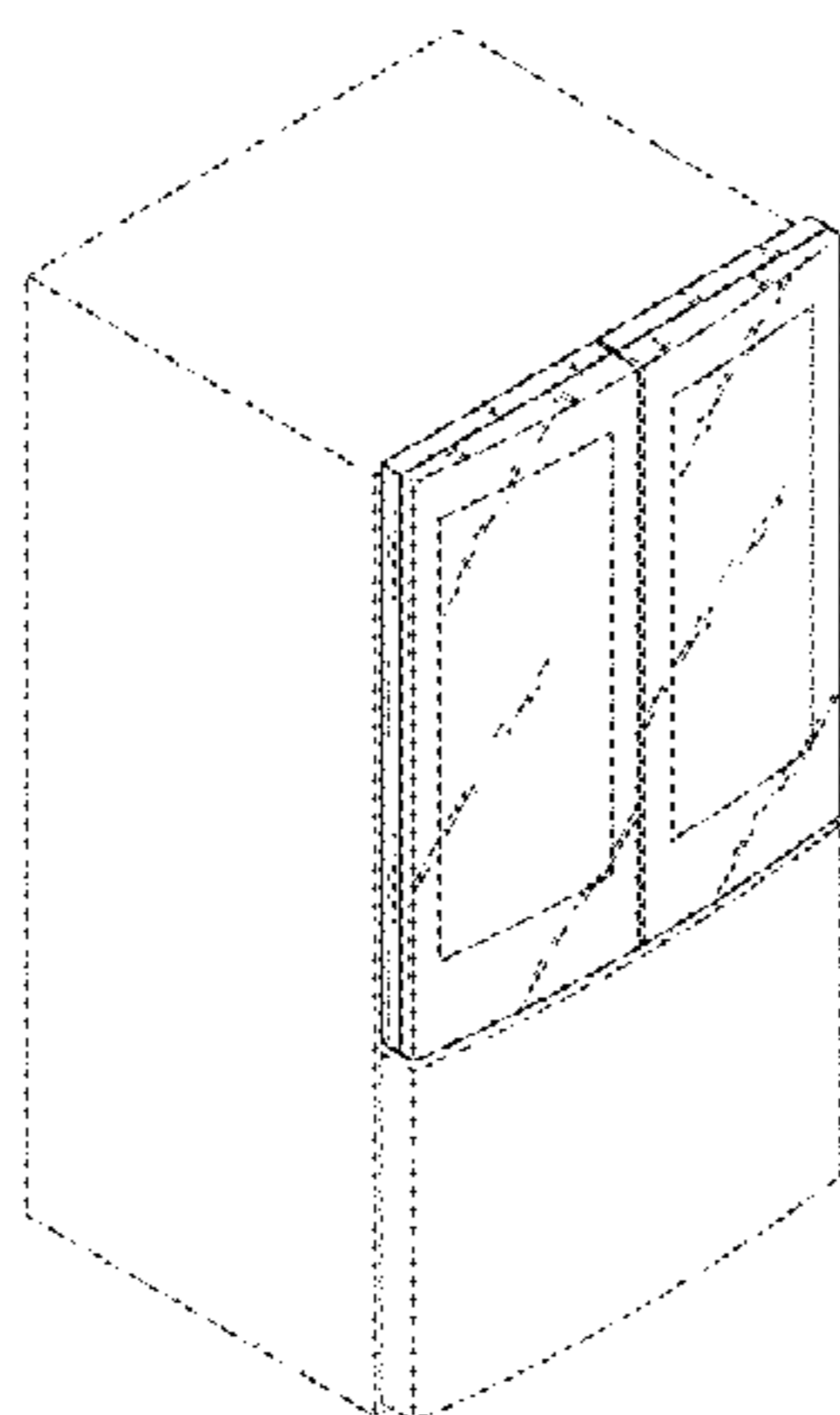
See application file for complete search history.

(56) **References Cited**

U.S. PATENT DOCUMENTS

D518,077 S * 3/2006 Lee D15/91
D553,167 S * 10/2007 Busalt D15/91
D562,362 S * 2/2008 Bissig D15/91

(Continued)



The broken line showing of the refrigerator is included for the purpose of illustrating environment and forms no part of the claimed design.

1 Claim, 15 Drawing Sheets

(56)

References Cited

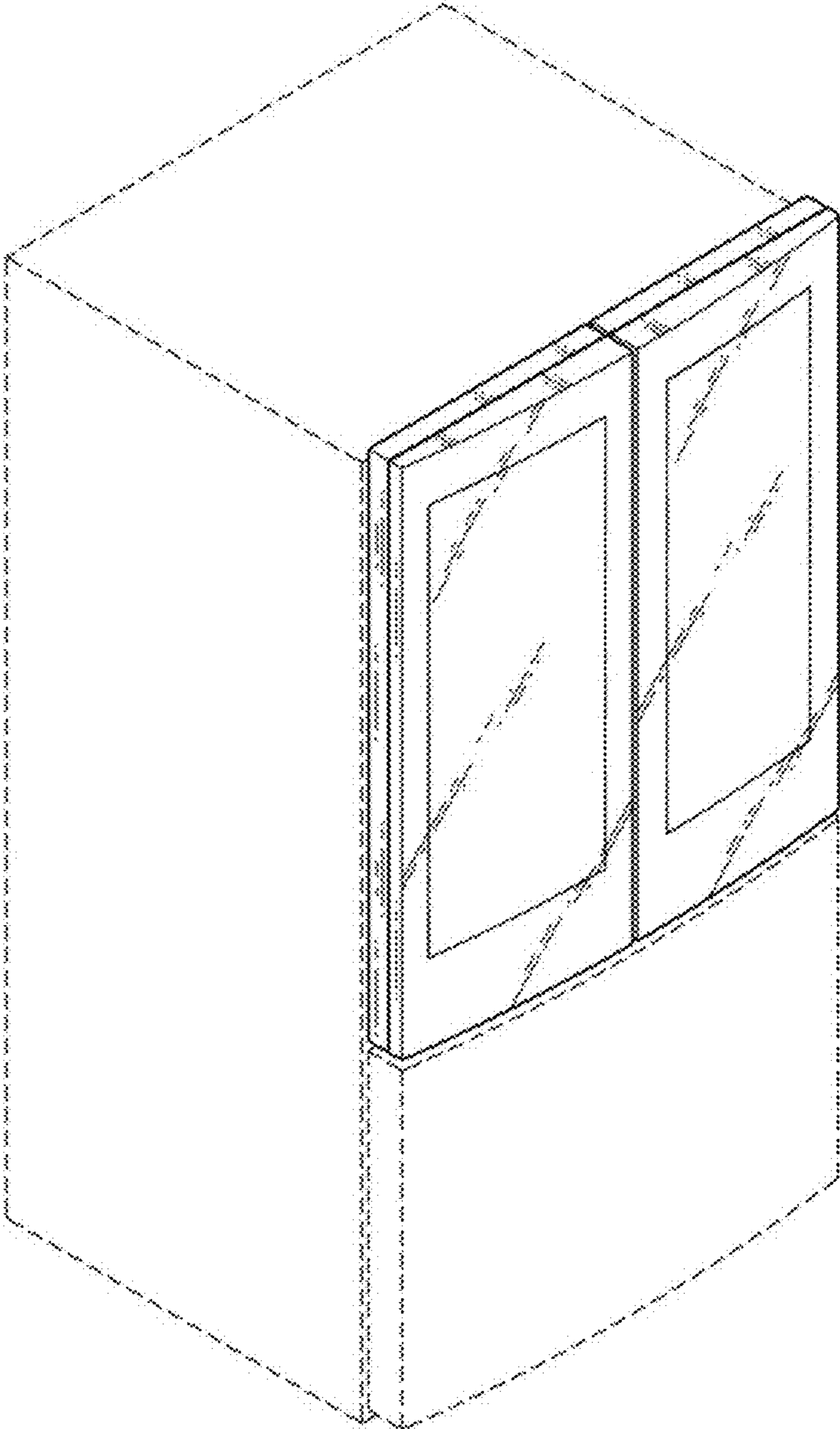
U.S. PATENT DOCUMENTS

D646,308 S * 10/2011 Kristiansen D15/91
 D674,416 S * 1/2013 Seo D15/86
 D680,138 S * 4/2013 Seo D15/86
 D681,695 S * 5/2013 Lee D15/86
 D684,609 S * 6/2013 Seo D15/86
 D686,254 S * 7/2013 Wang D15/91
 D689,104 S * 9/2013 Yang D15/91
 D706,315 S * 6/2014 Seo D15/89
 D707,734 S * 6/2014 Seo D15/86
 D709,925 S * 7/2014 Seo D15/89
 D710,403 S * 8/2014 Seo D15/89
 D713,862 S * 9/2014 Lee D15/86
 D714,360 S * 9/2014 Seo D15/85
 D714,361 S * 9/2014 Seo D15/86
 D722,624 S * 2/2015 Cho D15/89
 D722,625 S * 2/2015 Cho D15/89
 D723,595 S * 3/2015 You D15/91
 D724,113 S * 3/2015 Seo D15/85
 D730,958 S * 6/2015 Choi D15/91
 D742,431 S * 11/2015 Seo D15/86
 D742,437 S * 11/2015 Choi D15/91
 D742,438 S * 11/2015 Jeon D15/91

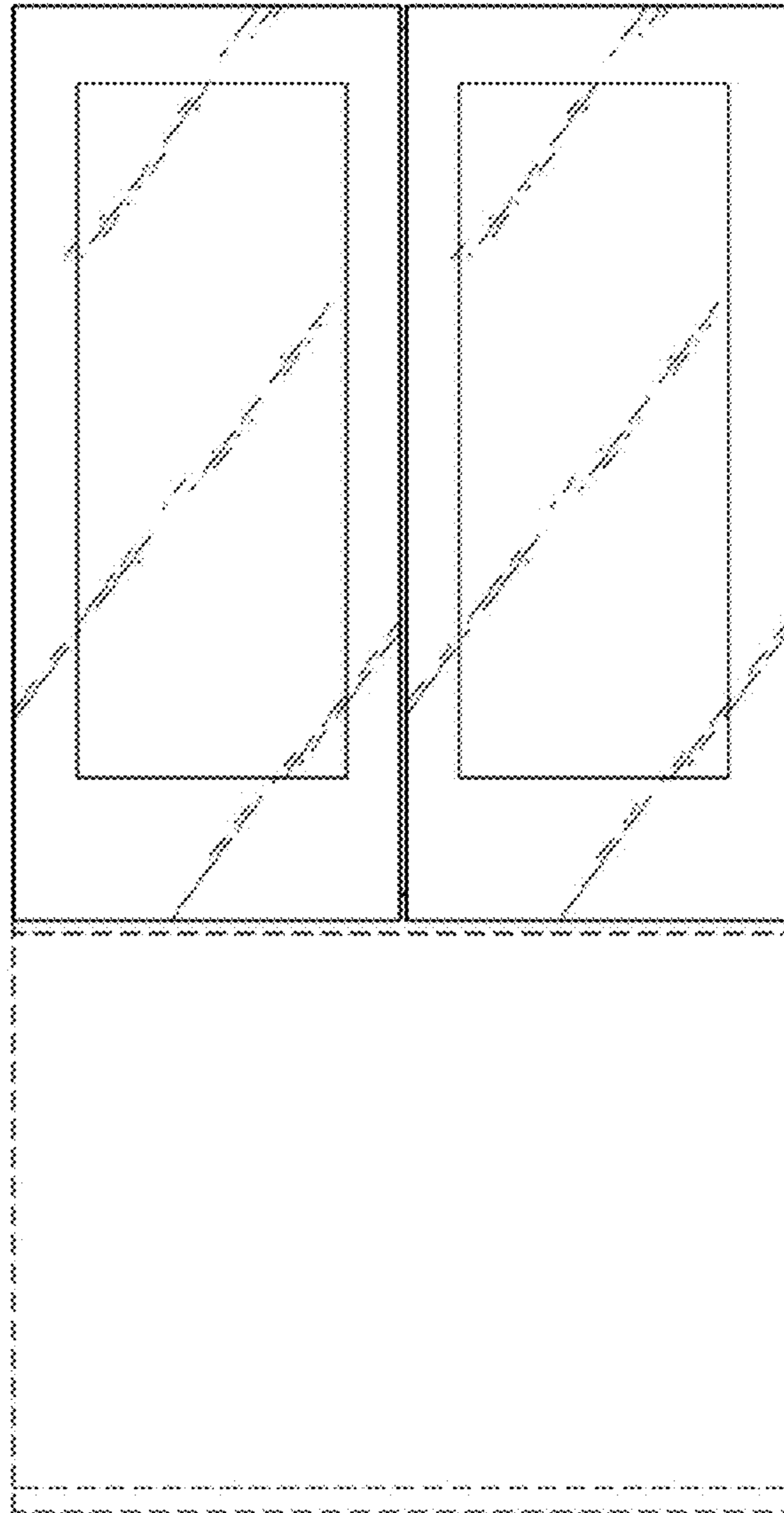
D744,551 S * 12/2015 Park D15/91
 D747,368 S * 1/2016 Kim D15/85
 D757,131 S * 5/2016 Lee D15/91
 D759,132 S * 6/2016 Kwon D15/91
 D760,819 S * 7/2016 Lee D15/86
 D760,820 S * 7/2016 Lee D15/91
 D760,821 S * 7/2016 Lee D15/91
 D760,822 S * 7/2016 Lee D15/91
 D760,823 S * 7/2016 Lee D15/91
 D760,824 S * 7/2016 Lee D15/91
 D761,333 S * 7/2016 Lee D15/86
 D761,334 S * 7/2016 Lee D15/86
 D761,336 S * 7/2016 Lee D15/91
 D761,887 S * 7/2016 Seo D15/89
 D762,249 S * 7/2016 Kim D15/86
 D763,329 S * 8/2016 Seo D15/89
 D765,151 S * 8/2016 Park D15/81
 D766,344 S * 9/2016 Kim D15/86
 D767,648 S * 9/2016 Shoemaker D15/86
 D768,738 S * 10/2016 Lee D15/91
 D768,739 S * 10/2016 Lee D15/91
 D775,674 S * 1/2017 Seo D15/86
 D776,173 S * 1/2017 Kim D15/91
 D787,566 S * 5/2017 Seo D15/85
 D787,572 S * 5/2017 Seo D15/91
 D788,187 S * 5/2017 Kim D15/84
 D788,188 S * 5/2017 Seo D15/86
 D788,193 S * 5/2017 Seo D15/91
 D788,194 S * 5/2017 Kwak D15/91
 D788,828 S * 6/2017 Seo D15/86
 2010/0242526 A1 * 9/2010 Junge F25C 5/005
 62/449
 2014/0117830 A1 * 5/2014 Lee F25D 25/025
 312/402

* cited by examiner

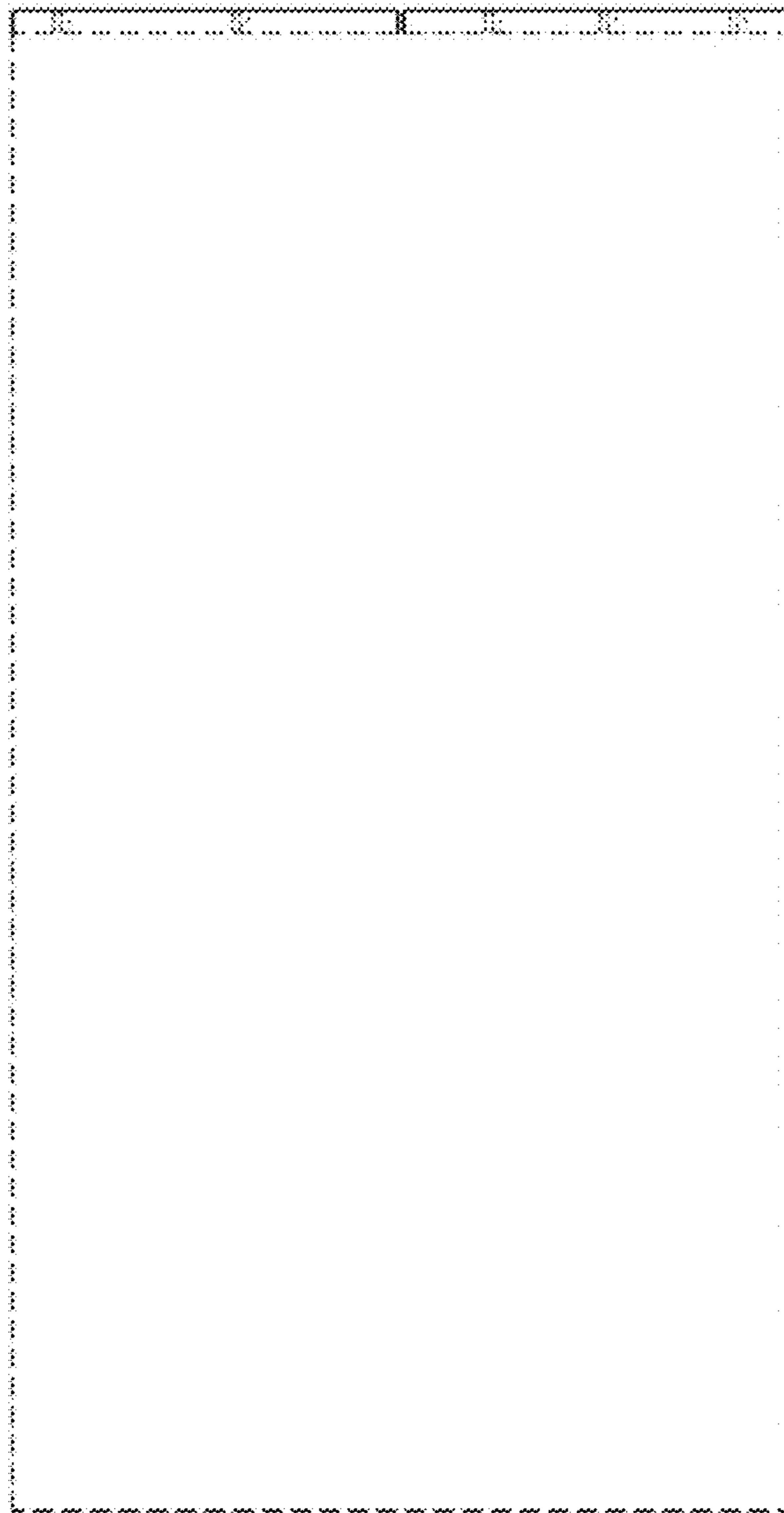
1.1



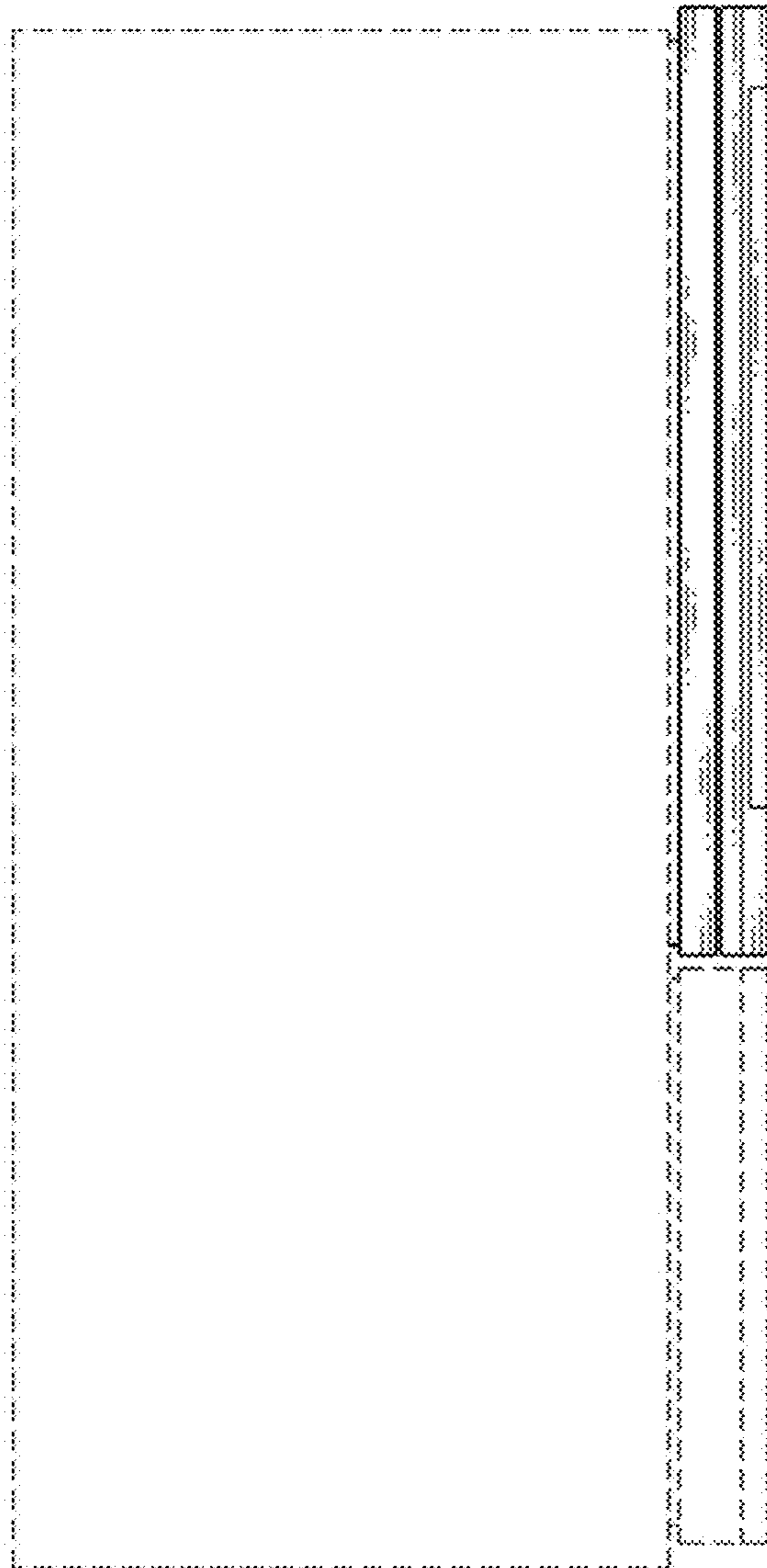
1.2



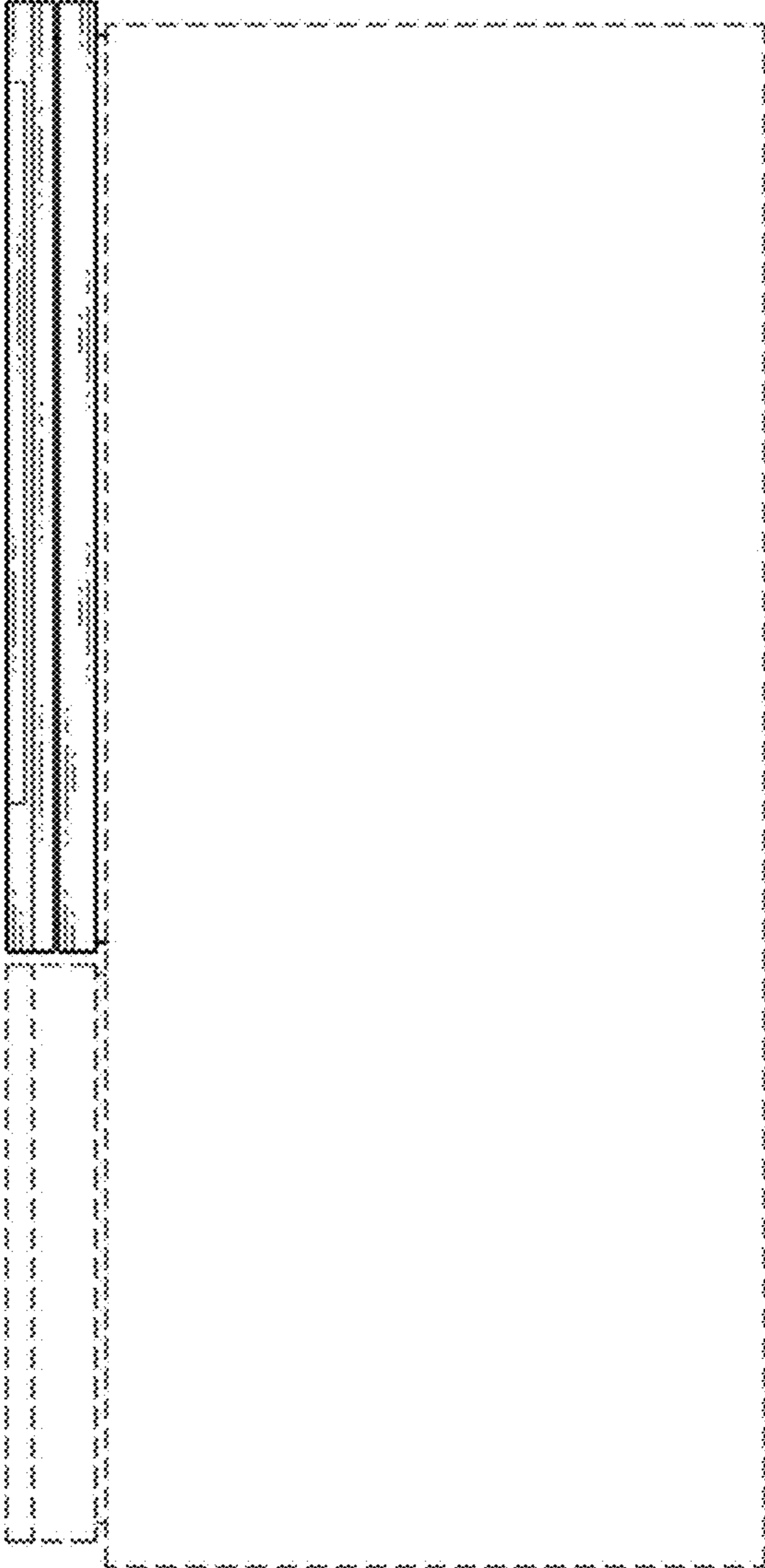
1.3



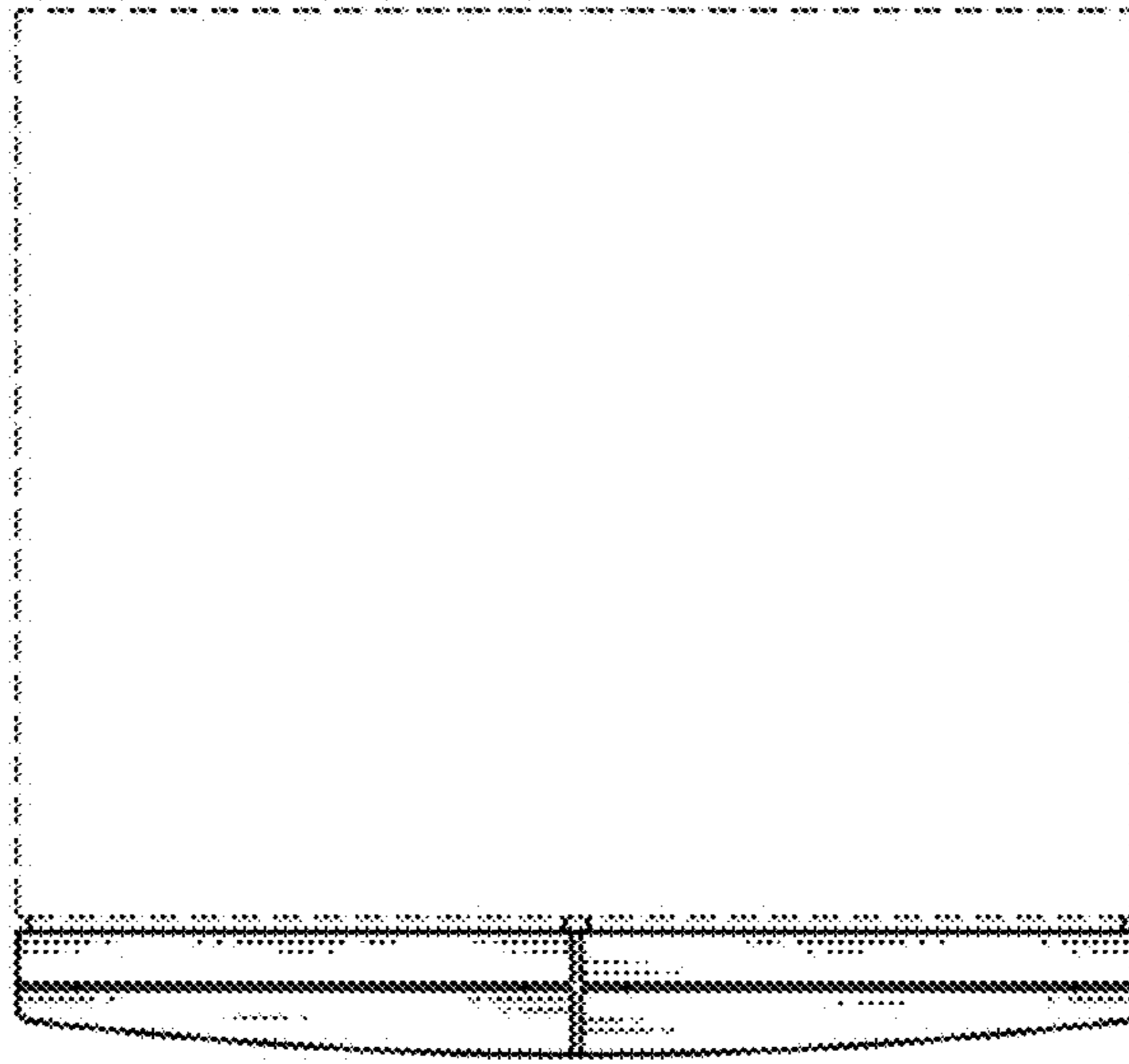
1.4



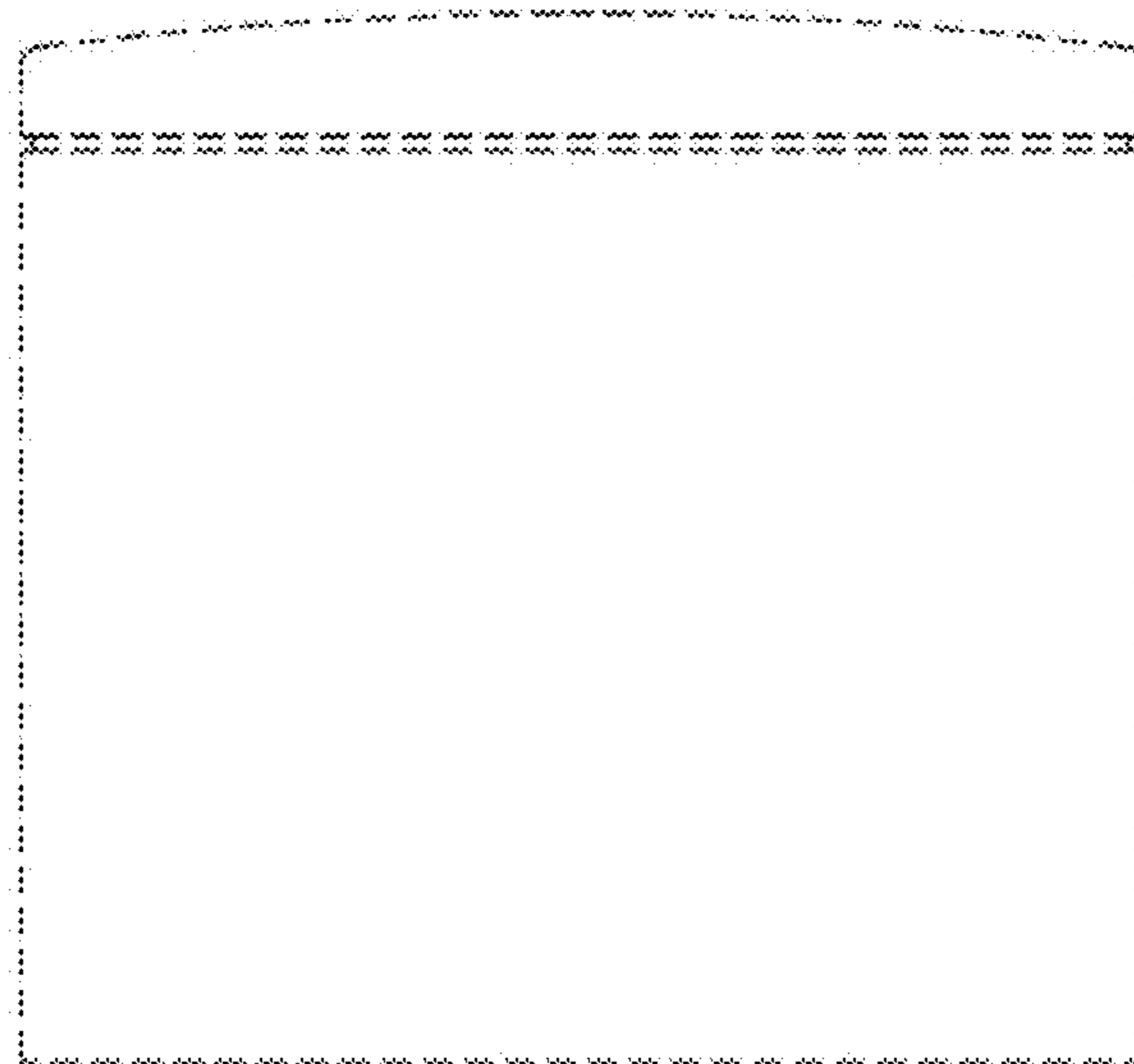
1.5



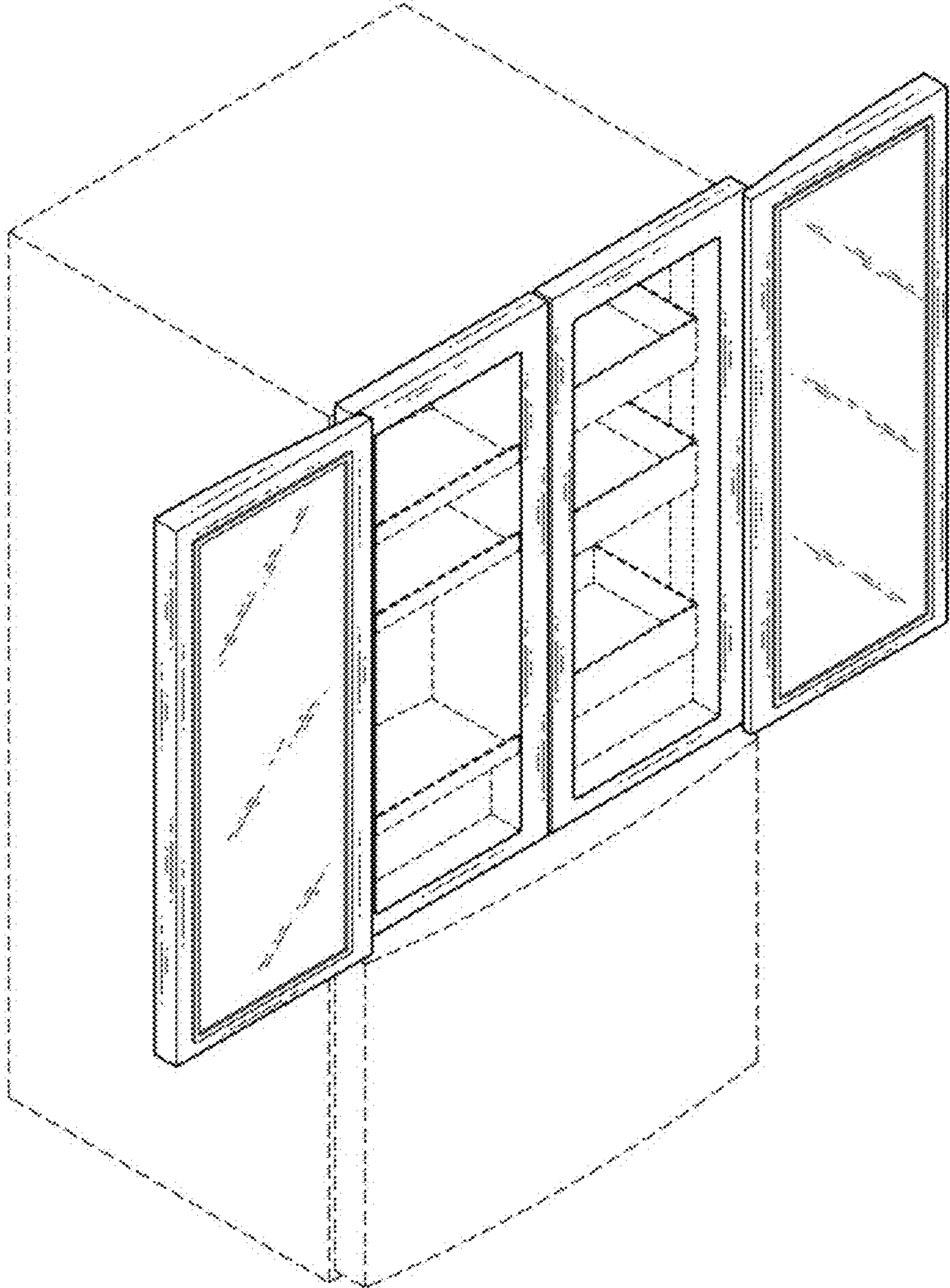
1.6



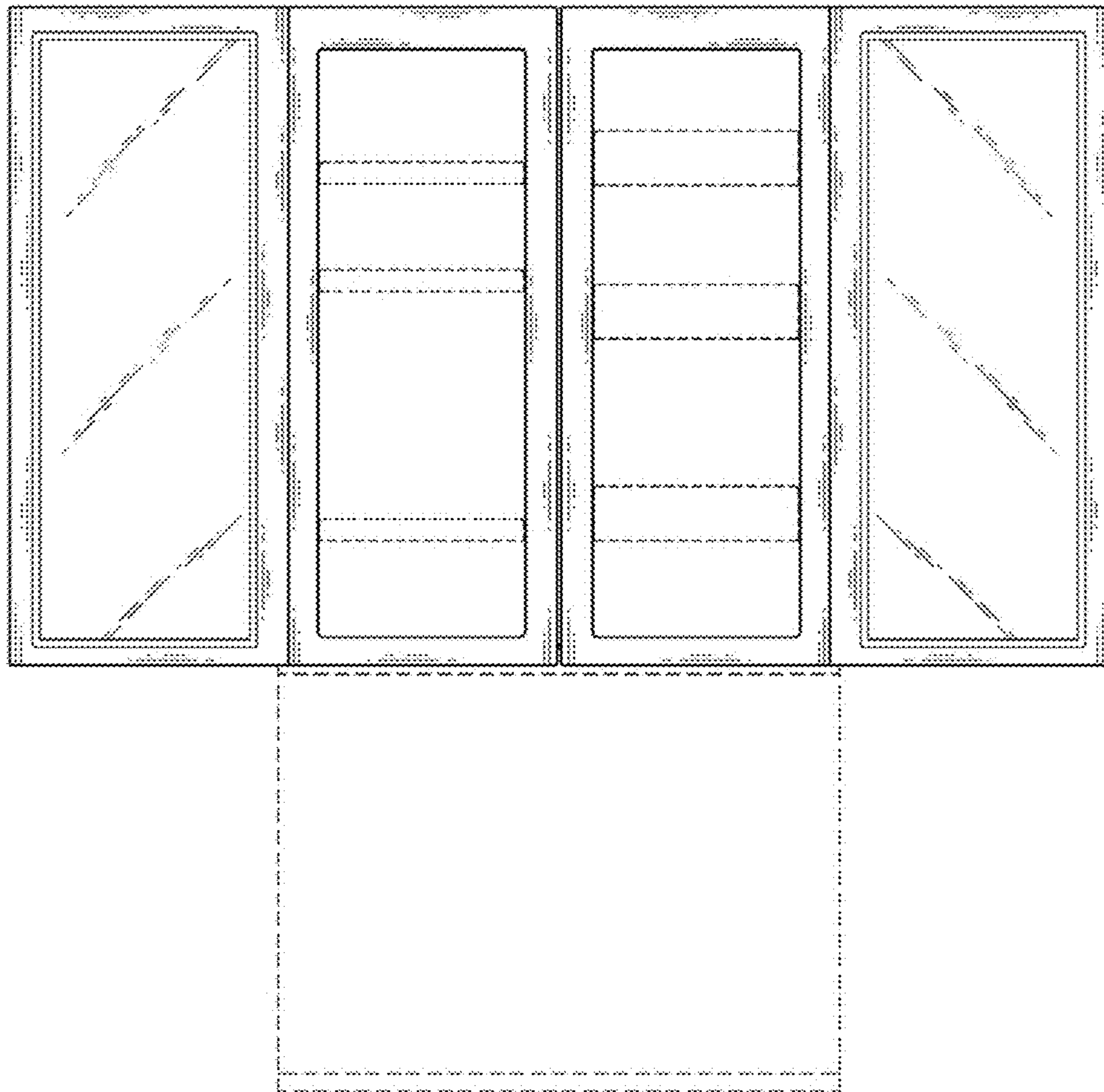
1.7



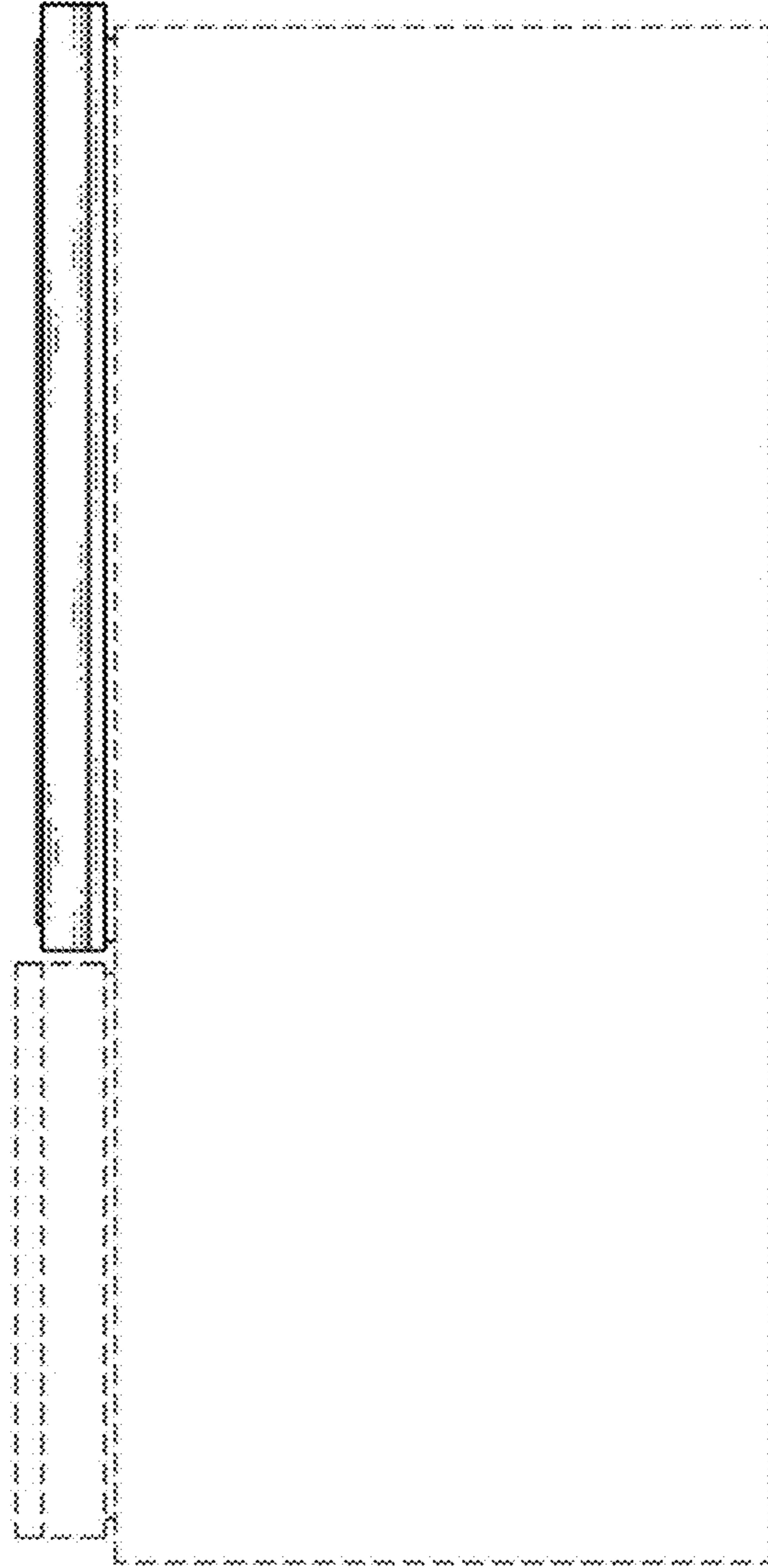
1.8



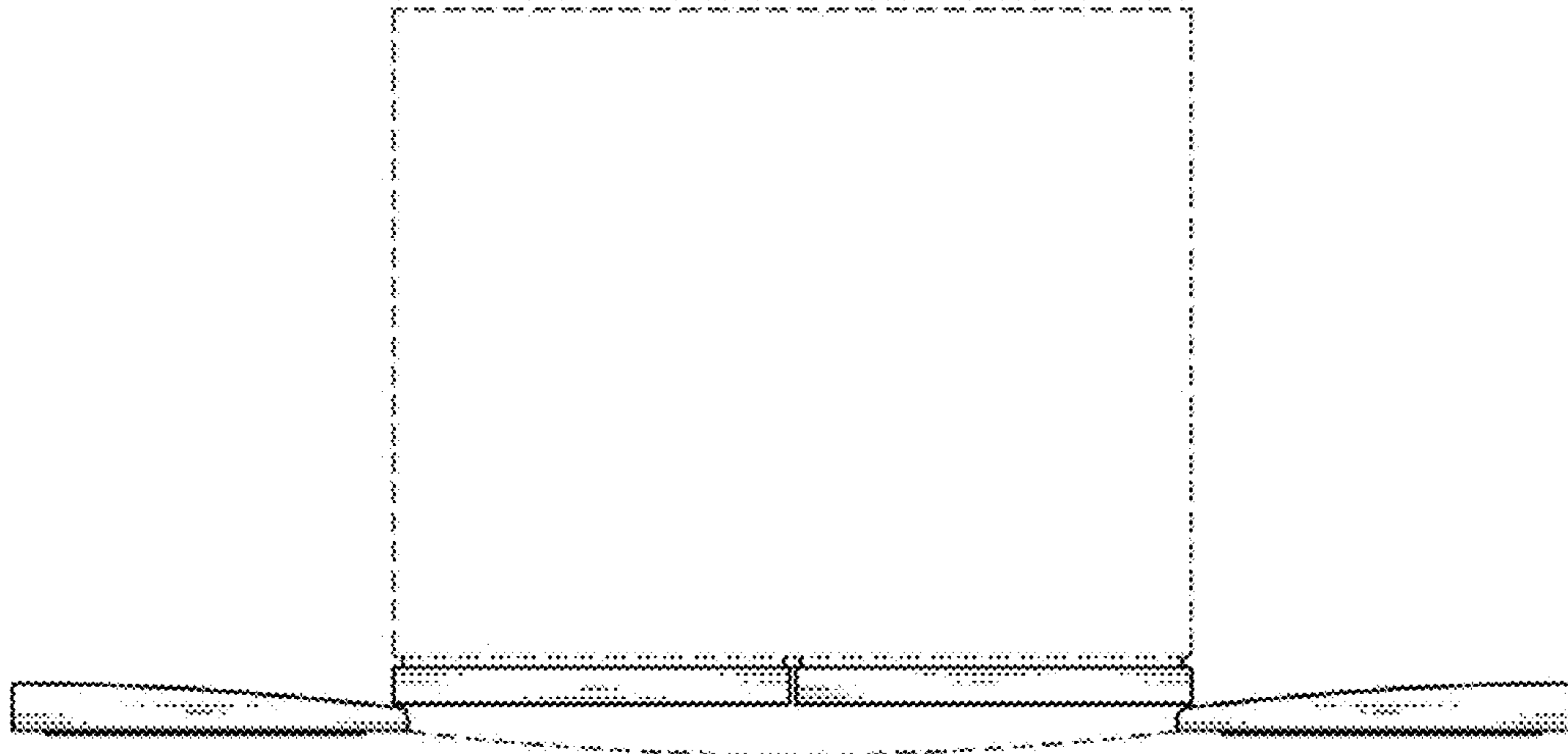
1.9



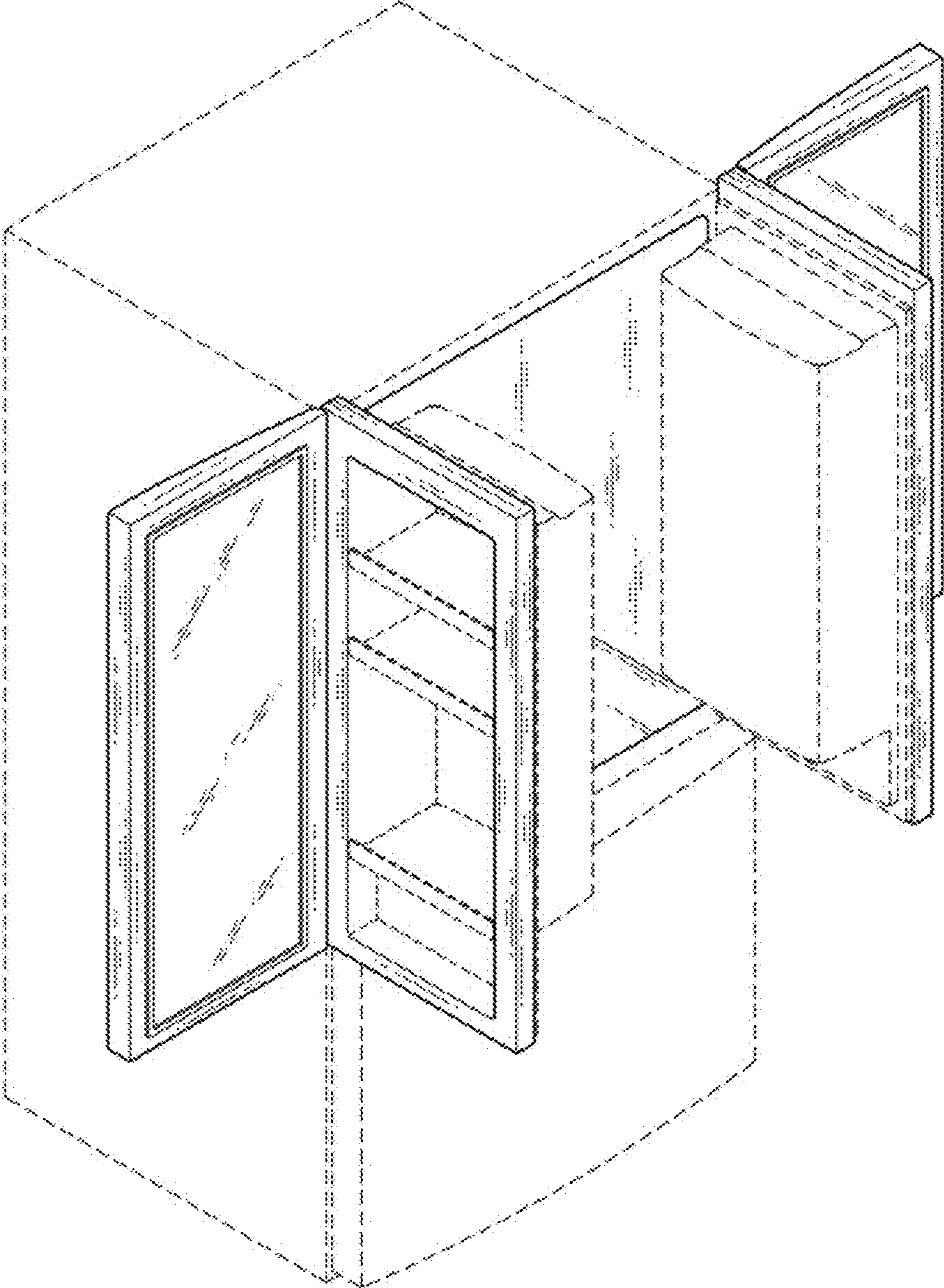
1.10



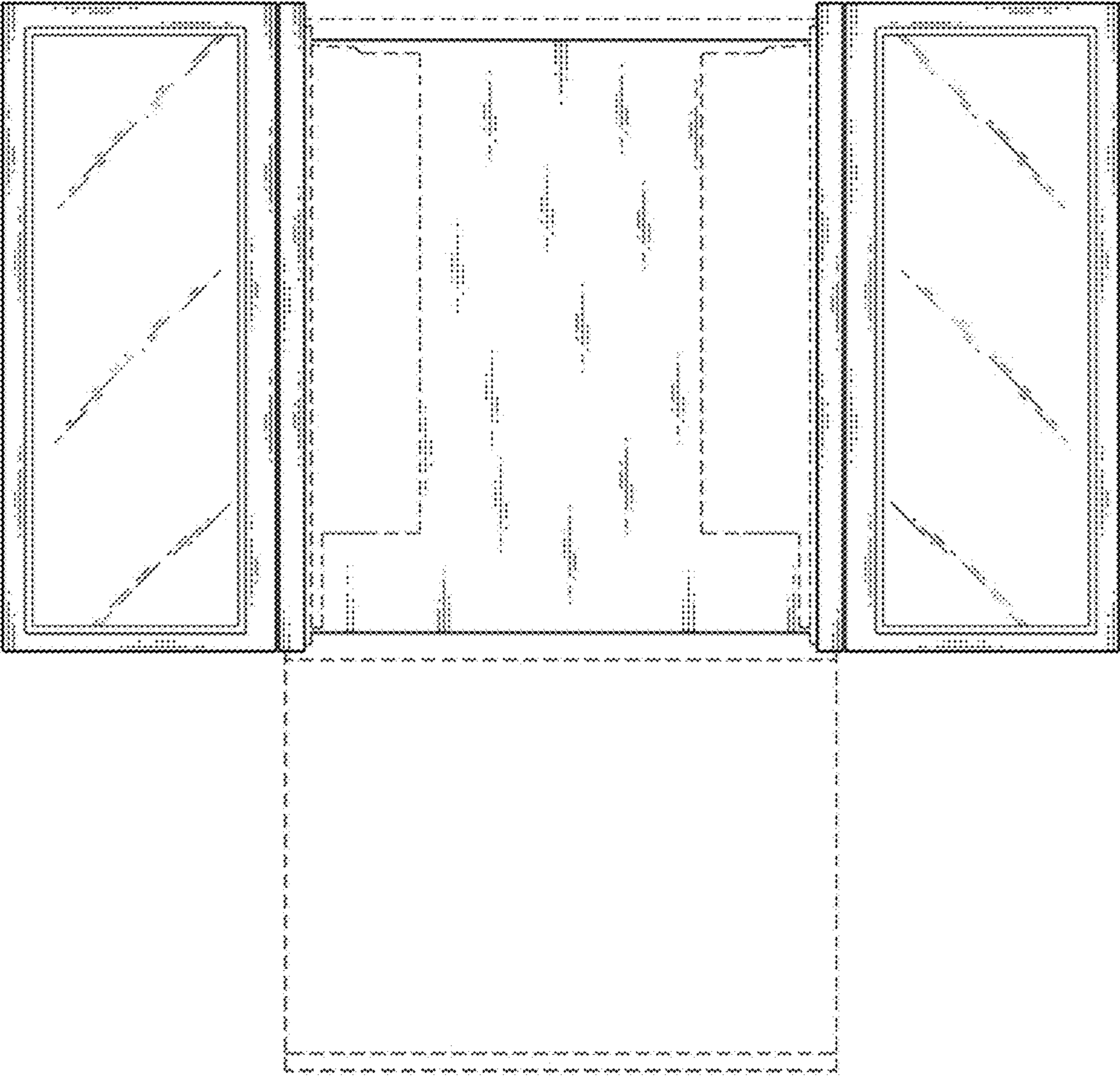
1.11



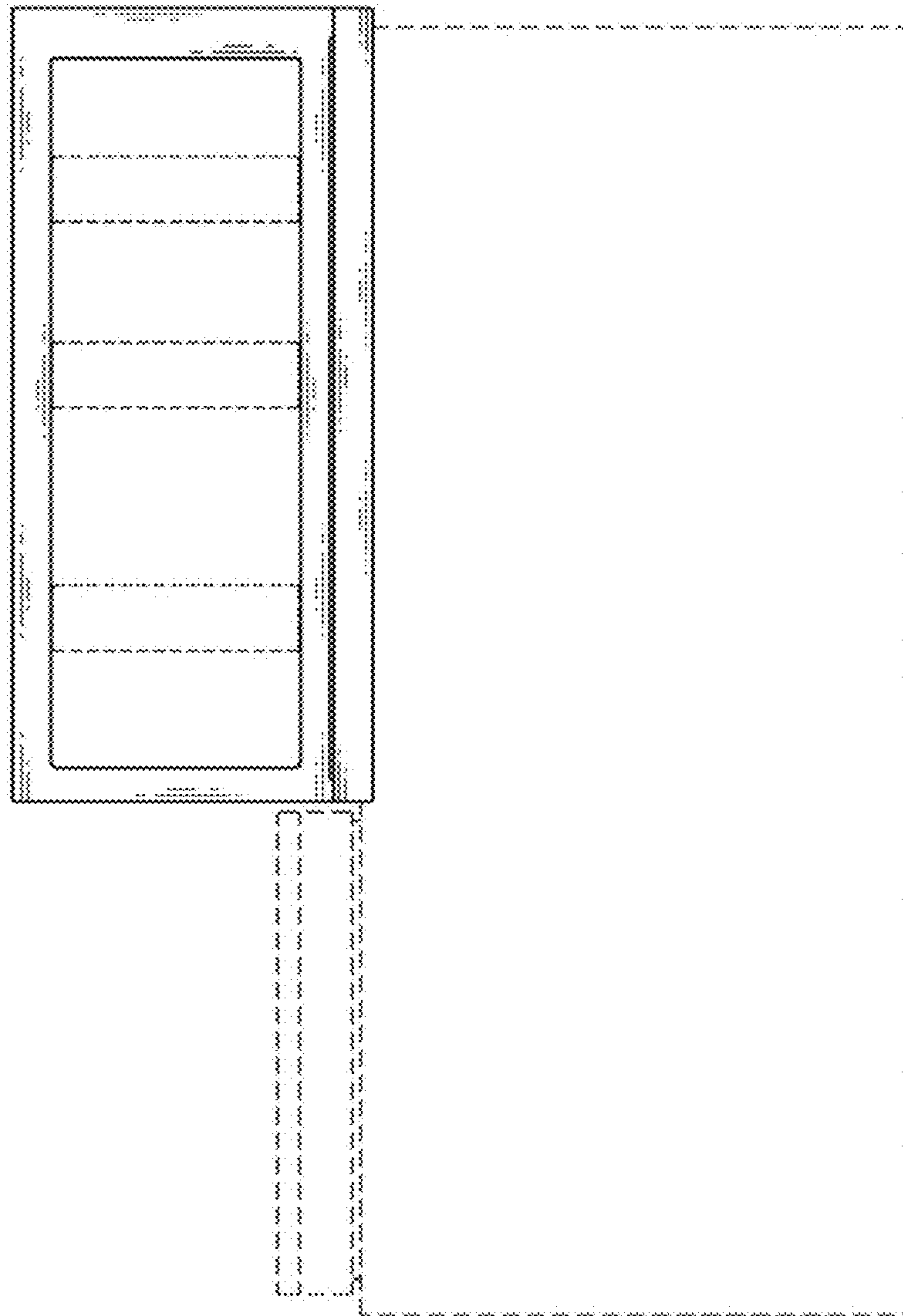
1.12



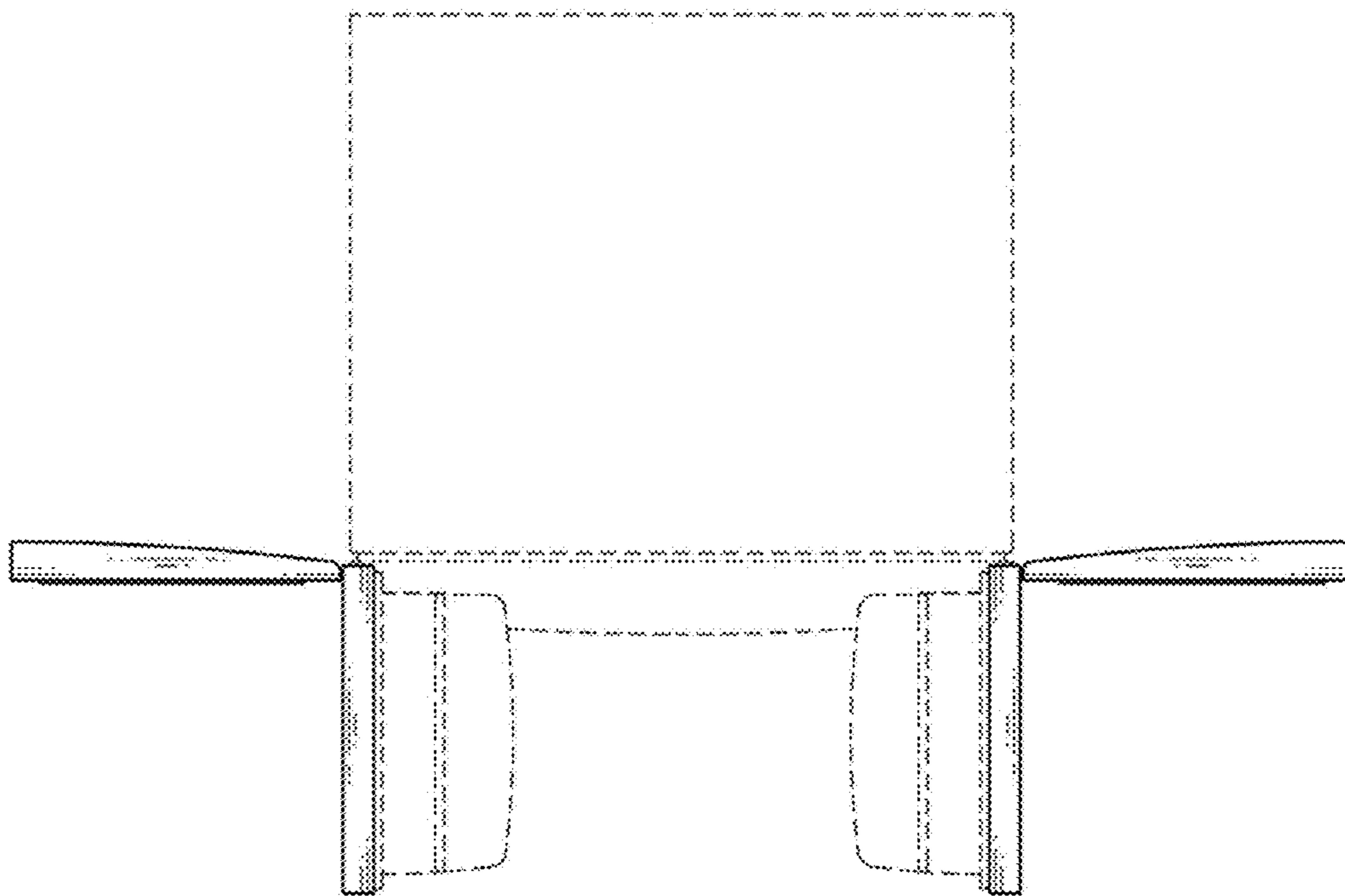
1.13



1.14



1.15



1.16

