



US00D816736S

(12) **United States Design Patent** (10) **Patent No.:** **US D816,736 S**  
**Kim et al.** (45) **Date of Patent:** **\*\* May 1, 2018**

(54) **REFRIGERATOR**

F25D 2600/02; F25D 2700/02; F25D  
2700/12; F25D 2700/121; F25D 2700/14;  
F25D 29/00

(71) Applicant: **SAMSUNG ELECTRONICS CO., LTD.**, Suwon-si, Gyeonggi-do (KR)

See application file for complete search history.

(72) Inventors: **Ki-Soo Kim**, Gunpo-Si (KR);  
**Seok-Woo Kim**, Seoul (KR);  
**Young-Min Park**, Seoul (KR);  
**Cheol-Woong Seo**, Seongnam-si (KR);  
**Ki-Sang Yoon**, Daejeong-si (KR);  
**Se-Lim Yoon**, Seongnam-si (KR);  
**Sang-Hyun Lee**, Seoul (KR); **Sun-Min Lee**, Seoul (KR); **Seon-Ju Lee**, Seoul (KR); **Jun-Kyo Lee**, Seongnam-si (KR)

(56) **References Cited**

U.S. PATENT DOCUMENTS

D657,804 S 4/2012 Lee et al.  
D702,742 S \* 4/2014 Hwan ..... D15/91  
D742,437 S \* 11/2015 Choi ..... D15/91  
D761,336 S \* 7/2016 Lee ..... D15/91  
D774,115 S \* 12/2016 Lee ..... D15/91

(Continued)

FOREIGN PATENT DOCUMENTS

CN 303551593 S 1/2016  
EM 002659995-0011 1/2016

(Continued)

*Primary Examiner* — Ian Simmons  
*Assistant Examiner* — Khawaja Anwar

(74) *Attorney, Agent, or Firm* — Cantor Colburn LLP

(57) **CLAIM**

The ornamental design for a refrigerator, as shown and described.

**DESCRIPTION**

FIG. 1 is a perspective view of a refrigerator, showing our design;

FIG. 2 is a front view thereof;

FIG. 3 is a rear view thereof;

FIG. 4 is a side view thereof;

FIG. 5 is another side view thereof;

FIG. 6 is a top view thereof;

FIG. 7 is a bottom view thereof; and,

FIG. 8 is another perspective view thereof showing a storage portion separated therefrom.

The broken lines illustrating portions of the refrigerator form no part of the claimed design.

**1 Claim, 7 Drawing Sheets**

(73) Assignee: **SAMSUNG ELECTRONICS CO., LTD.**, Gyeonggi-Do (KR)

(\*\*) Term: **15 Years**

(21) Appl. No.: **29/594,063**

(22) Filed: **Feb. 15, 2017**

(30) **Foreign Application Priority Data**

Aug. 30, 2016 (KR) ..... 30-2016-0042303

(51) **LOC (11) Cl.** ..... **15-07**

(52) **U.S. Cl.**  
USPC ..... **D15/91**

(58) **Field of Classification Search**

USPC ..... D15/79-91

CPC .. F25D 11/00; F25D 17/065; F25D 2325/022;

F25D 23/069; F25D 25/025; F25D 11/02;

F25D 17/062; F25D 21/12; F25D 21/125;

F25D 21/14; F25D 2317/061; F25D

2317/067; F25D 2323/021; F25D

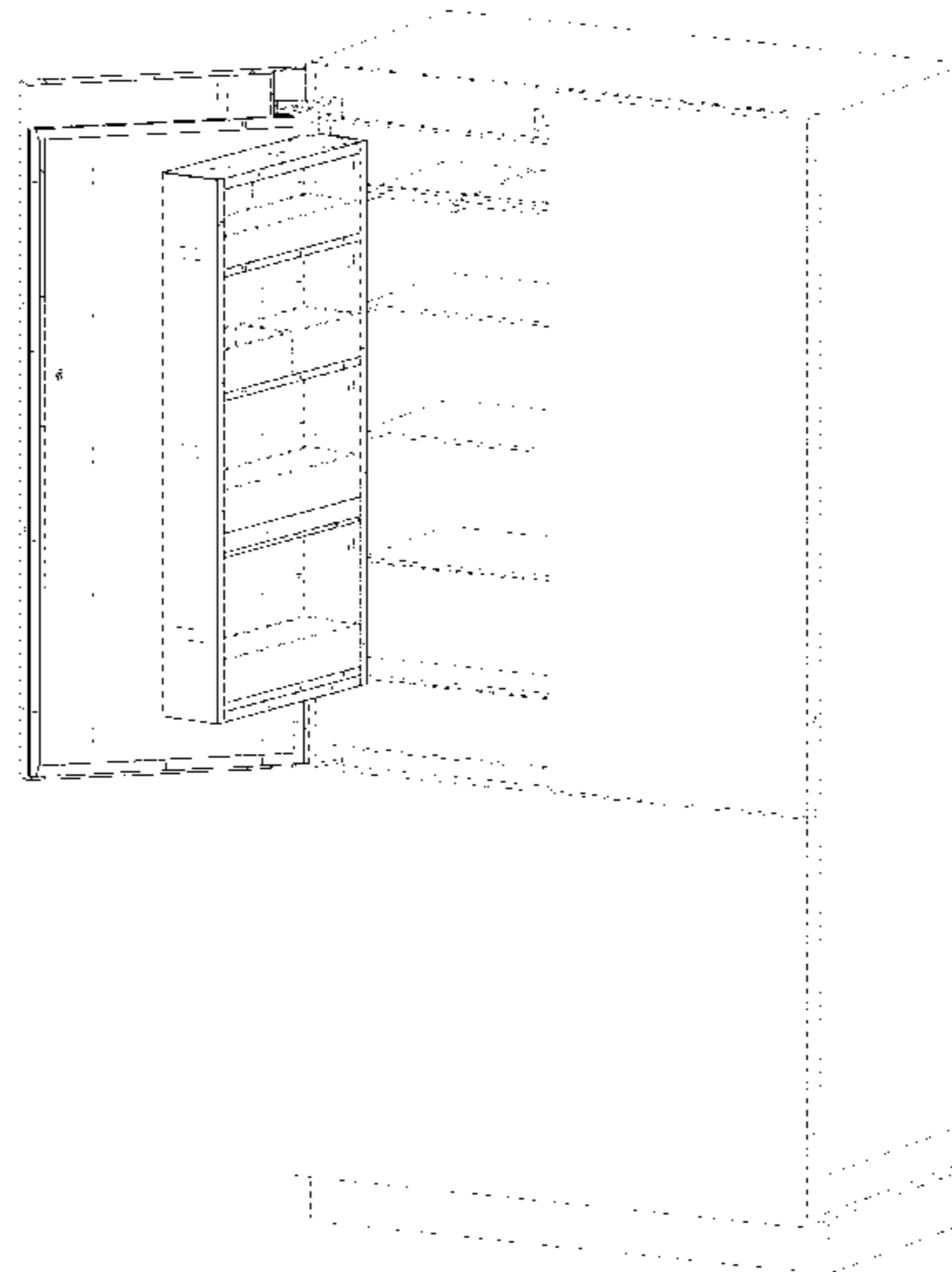
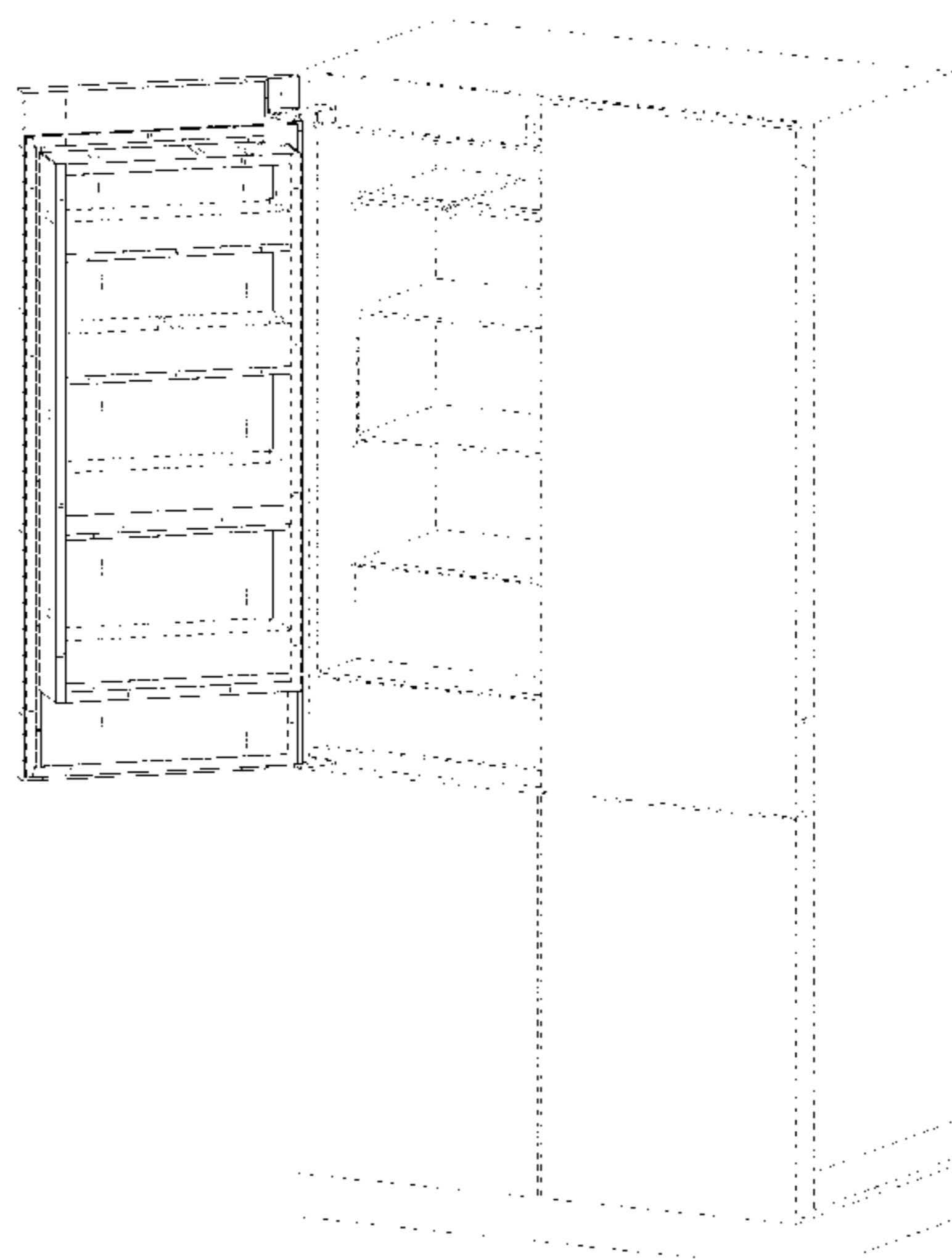
2323/024; F25D 23/028; F25D 23/04;

F25D 23/066; F25D 23/085; F25D

23/087; F25D 23/126; F25D 2400/02;

F25D 2400/06; F25D 2400/361; F25D

2400/40; F25D 25/005; F25D 25/02;



(56)

**References Cited**

U.S. PATENT DOCUMENTS

D776,173 S \* 1/2017 Kim ..... D15/91  
D787,571 S \* 5/2017 Seo ..... D15/91  
D787,572 S \* 5/2017 Seo ..... D15/91  
D788,194 S \* 5/2017 Kwak ..... D15/91

FOREIGN PATENT DOCUMENTS

KR 300644320 S 6/2012  
KR 300659429 S 9/2012  
KR 300836782 S 1/2016

\* cited by examiner

FIG. 1

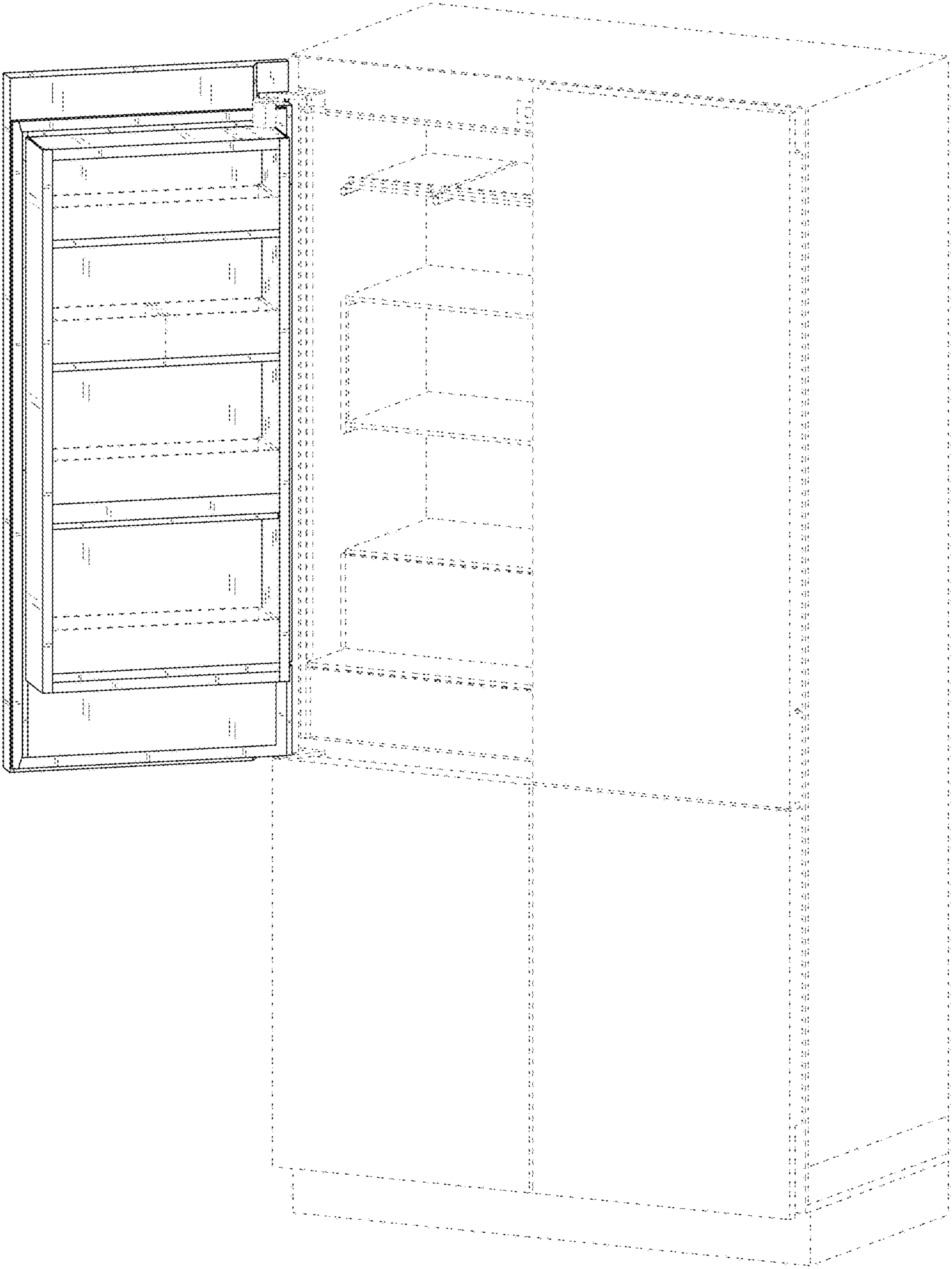


FIG. 2

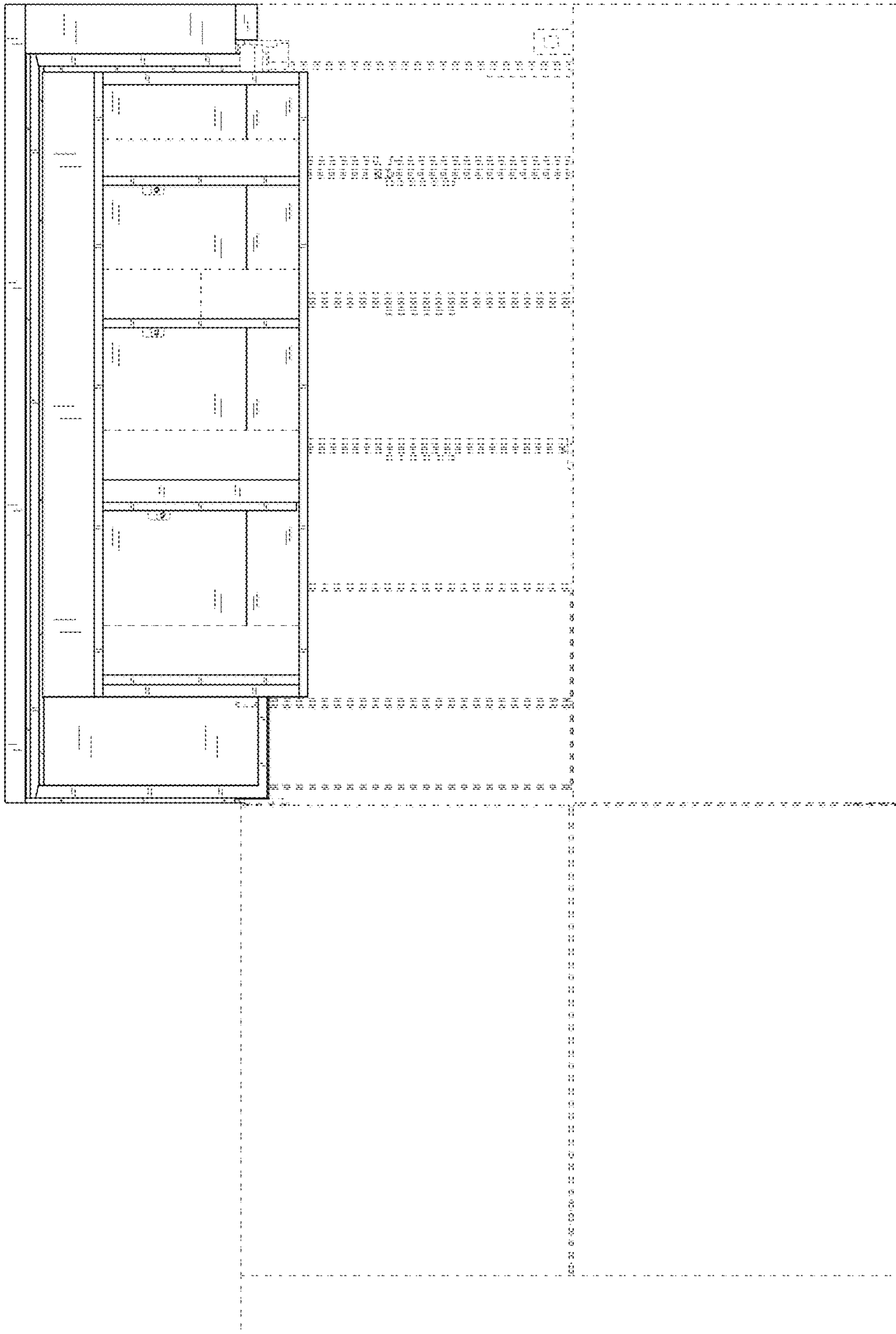


FIG. 3

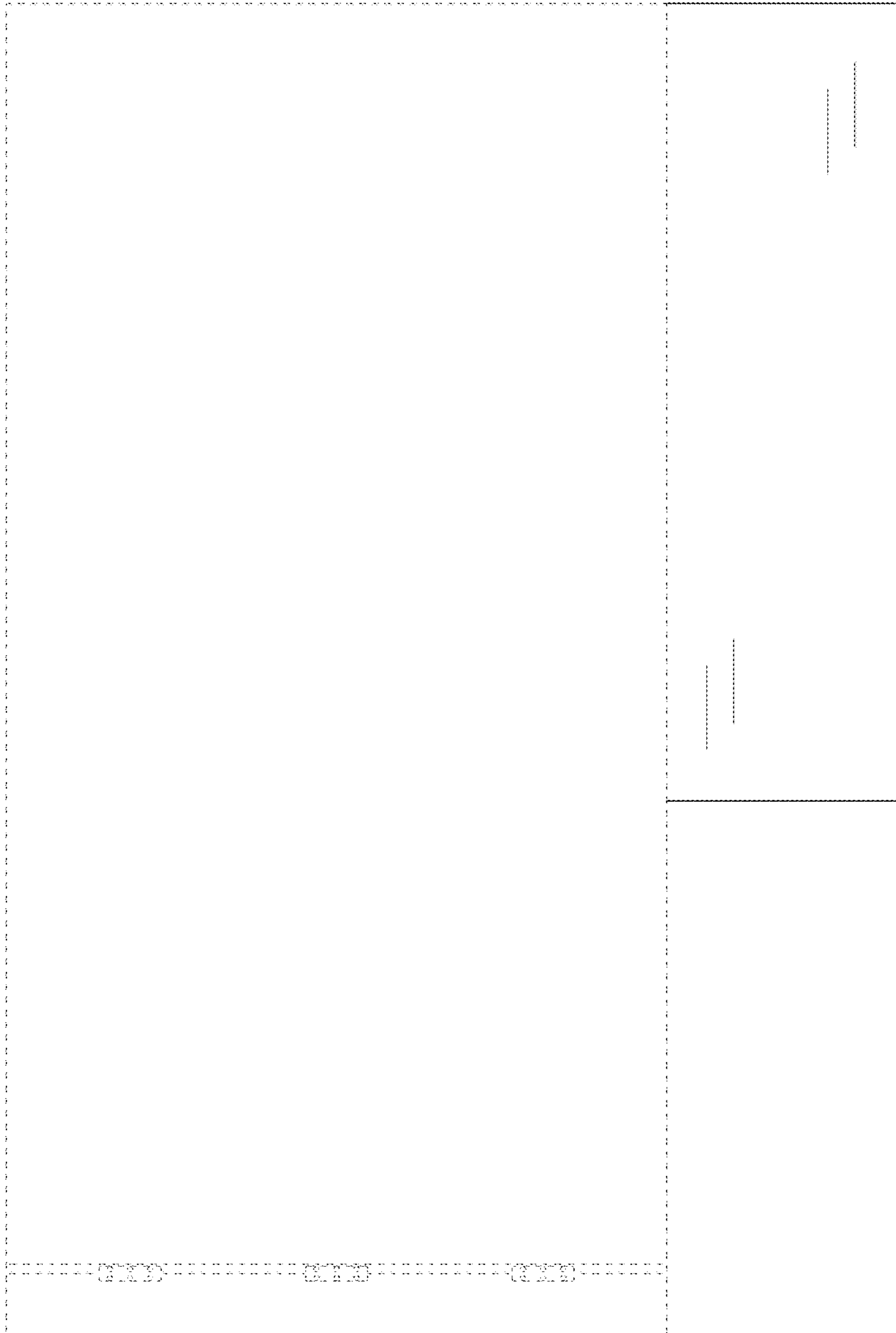


FIG. 4

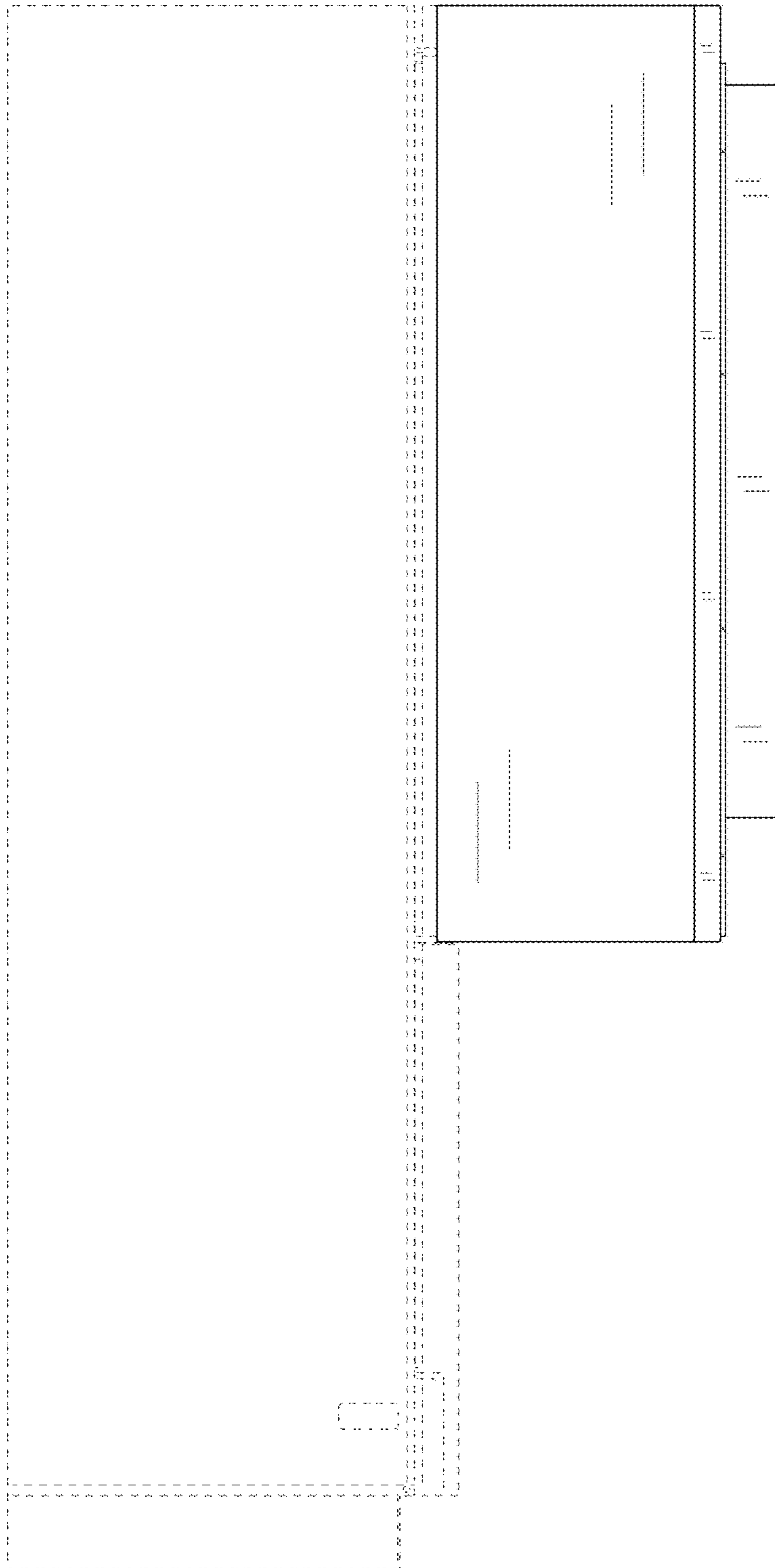


FIG. 5

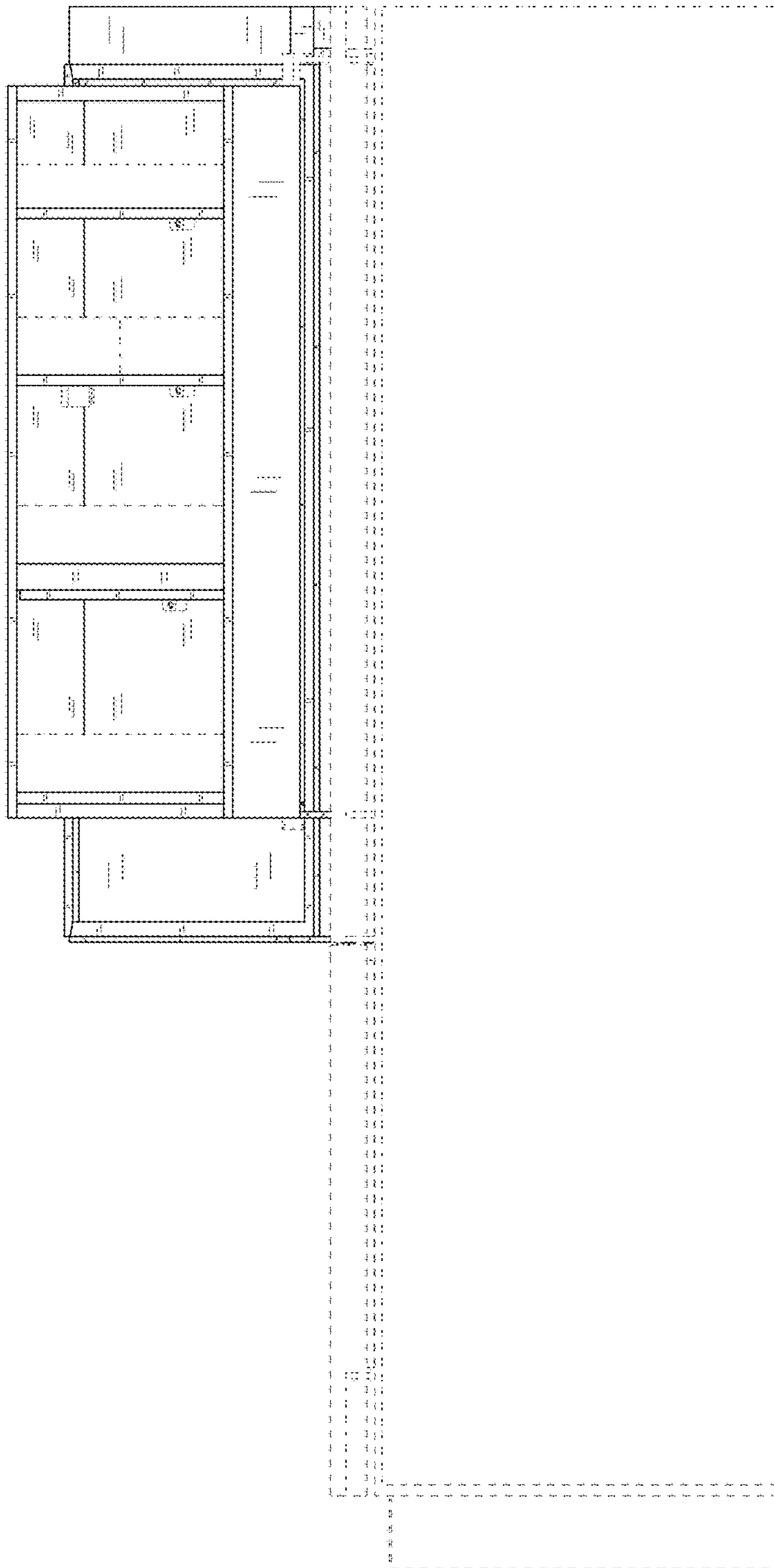


FIG. 6

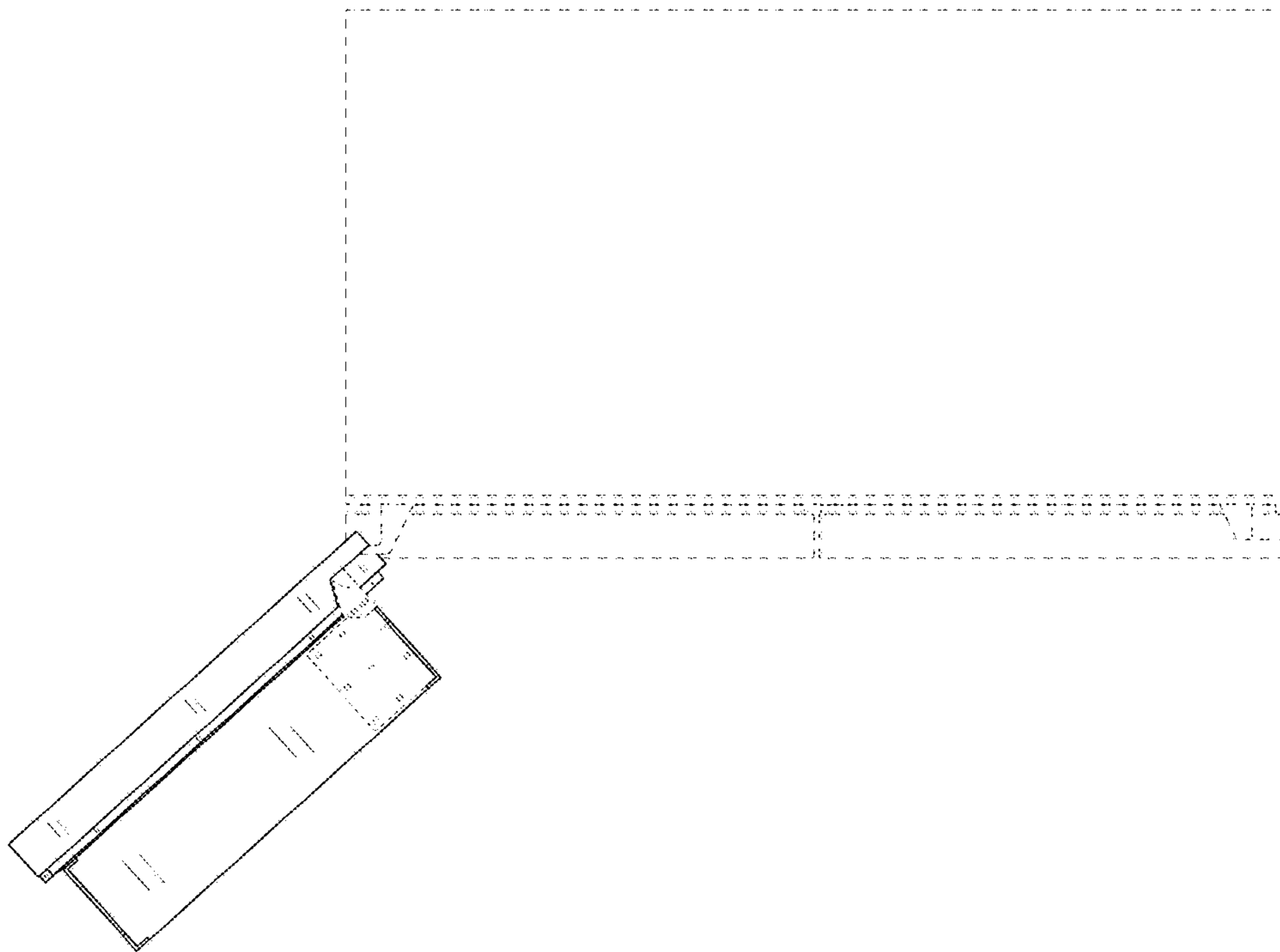


FIG. 7

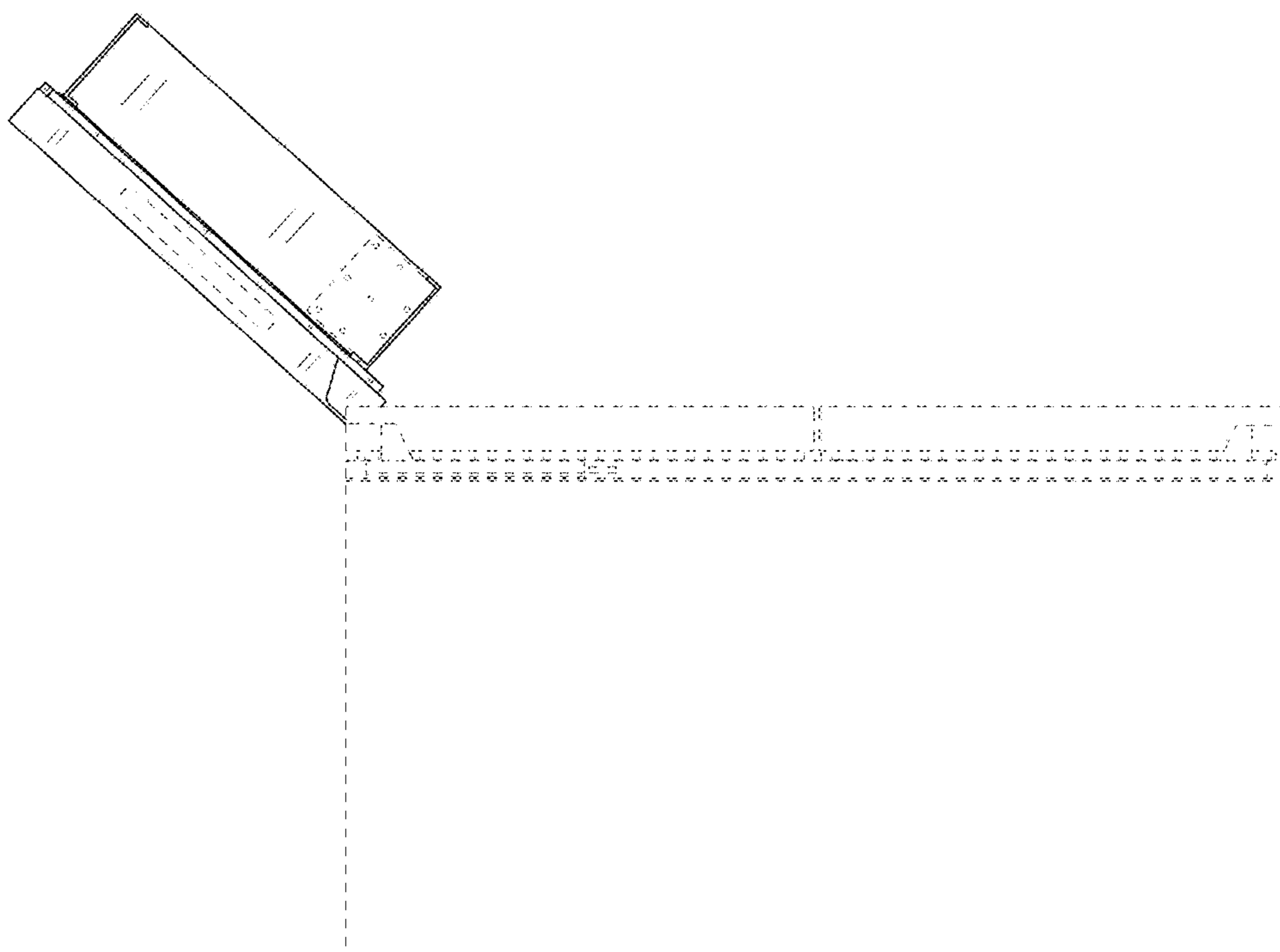




FIG. 8

