



US00D816732S

(12) **United States Design Patent**  
**Diebold et al.**

(10) **Patent No.:** **US D816,732 S**

(45) **Date of Patent:** **\*\* May 1, 2018**

- (54) **OPERATOR STATION ROOF**
- (71) Applicant: **Deere & Company**, Moline, IL (US)
- (72) Inventors: **Elizabeth A. Diebold**, Dubuque, IA (US); **Daniel R. Klein**, Peosta, IA (US); **Amy Wessel**, Edgewood, IA (US); **Thomas Ward**, Ventura, CA (US)
- (73) Assignee: **Deere & Company**, Moline, IL (US)
- (\*\*) Term: **15 Years**
- (21) Appl. No.: **29/605,146**
- (22) Filed: **May 24, 2017**
- (51) **LOC (11) Cl.** ..... **15-03**
- (52) **U.S. Cl.**  
USPC ..... **D15/30**
- (58) **Field of Classification Search**  
USPC ..... D15/28, 30, 31, 22–26; D34/37;  
180/89.11, 89.12, 89.13, 89.19, 900  
CPC .. B66C 13/54; E02F 9/16; E02F 9/163; E02F  
9/06; B62D 33/0617; B62D  
49/00–49/085; B62D 33/06–33/073; B60J  
7/00; B60J 1/004; B60J 1/02; B60J 1/04;  
B60J 5/0487  
See application file for complete search history.

(56) **References Cited**

U.S. PATENT DOCUMENTS

D398,616 S *	9/1998	Kwak .....	D15/30
D463,461 S *	9/2002	Yanagida .....	D15/30
D523,029 S *	6/2006	Crawford .....	D15/30
D531,647 S *	11/2006	Stender .....	D15/30
D541,825 S *	5/2007	Pettersson .....	D15/30
D541,826 S *	5/2007	Brush .....	D15/30
D544,889 S *	6/2007	Milburn, Jr. ....	D15/30
D561,205 S *	2/2008	Pettersson .....	D15/30
D579,028 S *	10/2008	VanDeVeer .....	D15/30
D603,881 S *	11/2009	Tamplain, III .....	D15/30

D605,207 S *	12/2009	Menges .....	D15/30
D614,674 S *	4/2010	Hobenshield .....	D15/30
D625,741 S *	10/2010	Seidel .....	D15/30
D635,156 S *	3/2011	Berning .....	D15/30
D636,795 S *	4/2011	Yamamoto .....	D15/28
D637,630 S *	5/2011	Yamamoto .....	D15/30
D660,879 S *	5/2012	Laugurette .....	D15/30
D660,881 S *	5/2012	Bohme .....	D15/30
D667,851 S *	9/2012	Warr .....	D15/30
D668,693 S *	10/2012	Ringer .....	D15/30
D670,745 S *	11/2012	Warr .....	D15/30
D671,566 S *	11/2012	Fang .....	D15/30
D684,607 S *	6/2013	Hagura .....	D15/30
D687,868 S *	8/2013	Watson .....	D15/30
D707,728 S *	6/2014	Imashige .....	D15/30
D714,837 S *	10/2014	Jacobsthal .....	D15/30
D720,370 S *	12/2014	Carter .....	D15/30
D736,270 S *	8/2015	Jackson .....	D15/30
D749,148 S *	2/2016	Darekar .....	D15/30
D762,248 S *	7/2016	Steinhardt .....	D15/30
D774,111 S *	12/2016	Underhill .....	D15/30

(Continued)

Primary Examiner — Mark Goodwin

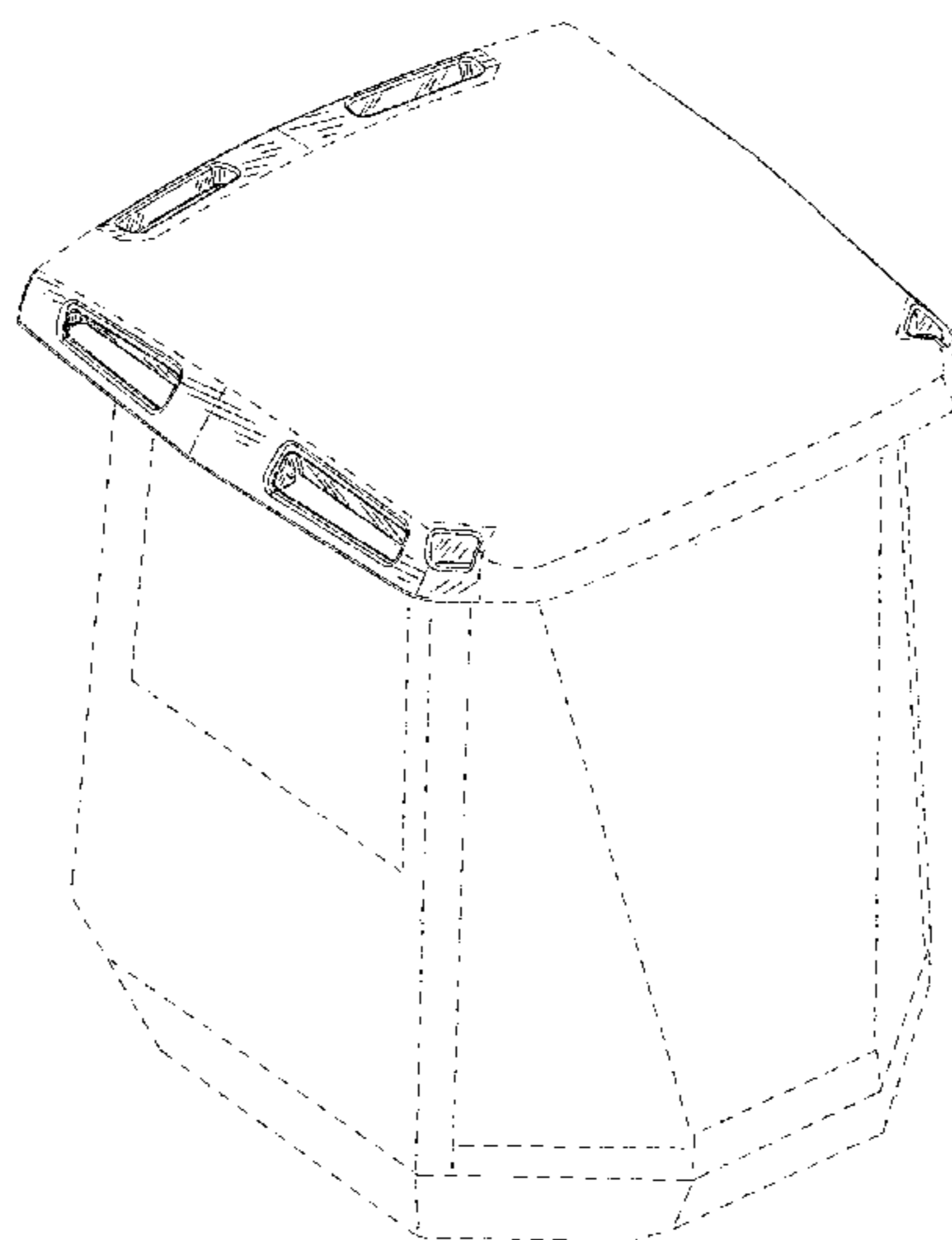
(57) **CLAIM**

The ornamental design for an operator station roof, as shown and described.

**DESCRIPTION**

FIG. 1 is a perspective view of an operator station roof showing our new design.  
 FIG. 2 is a left side view thereof.  
 FIG. 3 is a right side view thereof.  
 FIG. 4 is a front view thereof.  
 FIG. 5 is a rear view thereof.  
 FIG. 6 is a top view thereof; and,  
 FIG. 7 is a bottom view thereof.  
 The broken line representations of environmental structure in FIGS. 1-7 is for illustrative purposes only and forms no part of the claimed design.

**1 Claim, 7 Drawing Sheets**



(56)

**References Cited**

U.S. PATENT DOCUMENTS

D775,244 S	*	12/2016	Hart .....	D15/30
D777,805 S	*	1/2017	Steinhardt .....	D15/30
D780,231 S	*	2/2017	Saari .....	D15/30
D780,232 S	*	2/2017	Saari .....	D15/30
D780,235 S	*	2/2017	Kim .....	D15/30
D784,425 S	*	4/2017	Cooksey .....	D15/30

\* cited by examiner

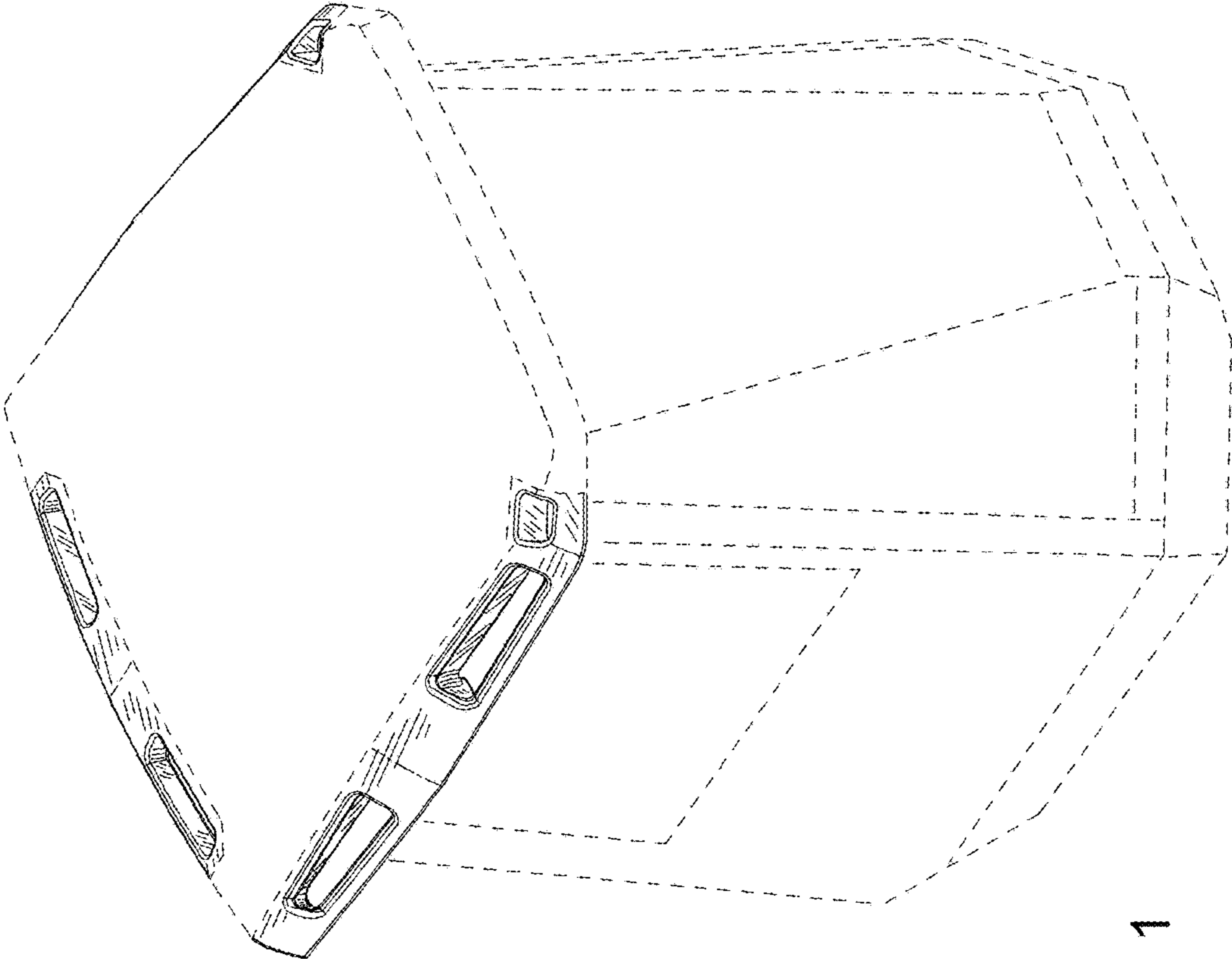


FIG. 1

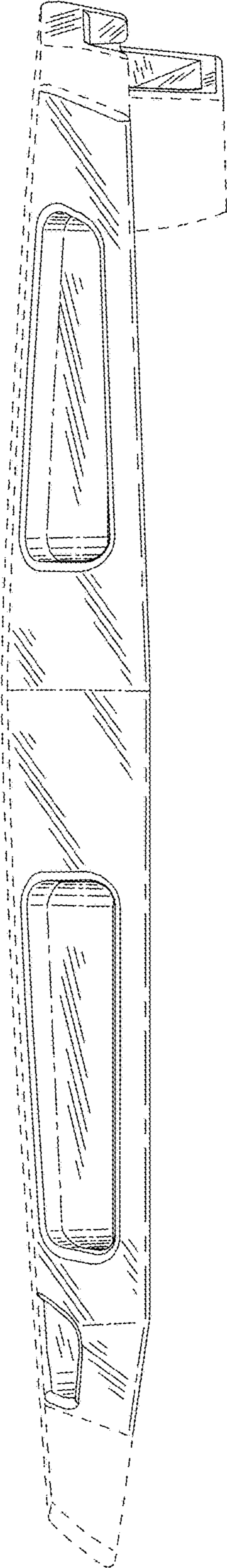


FIG. 2

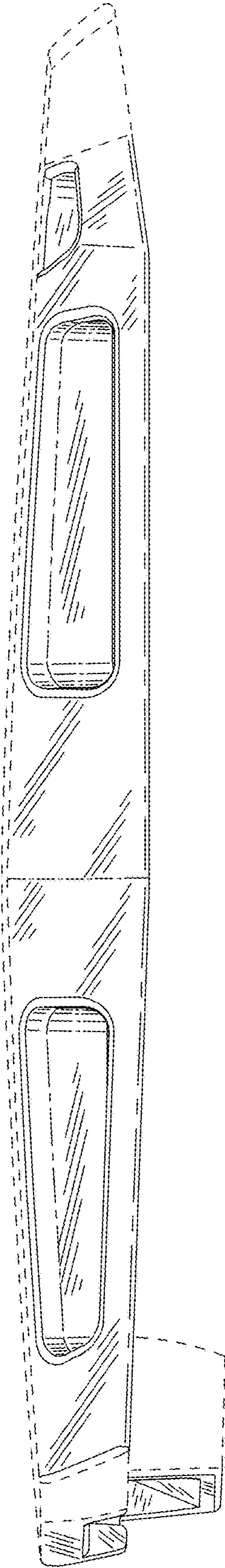


FIG. 3

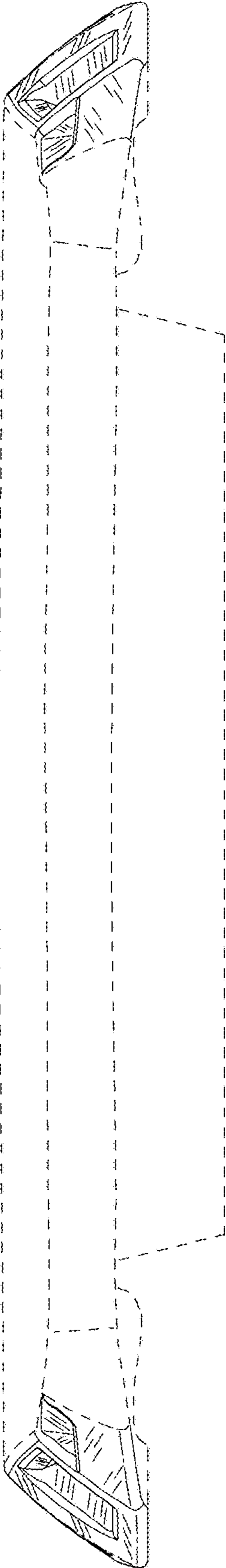


FIG. 4



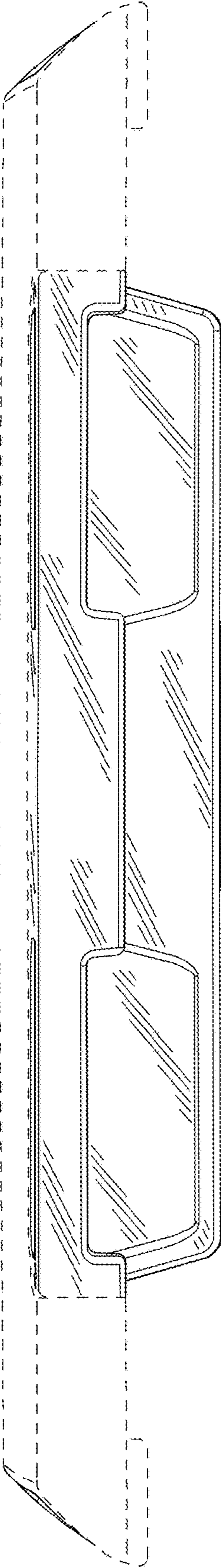


FIG. 5

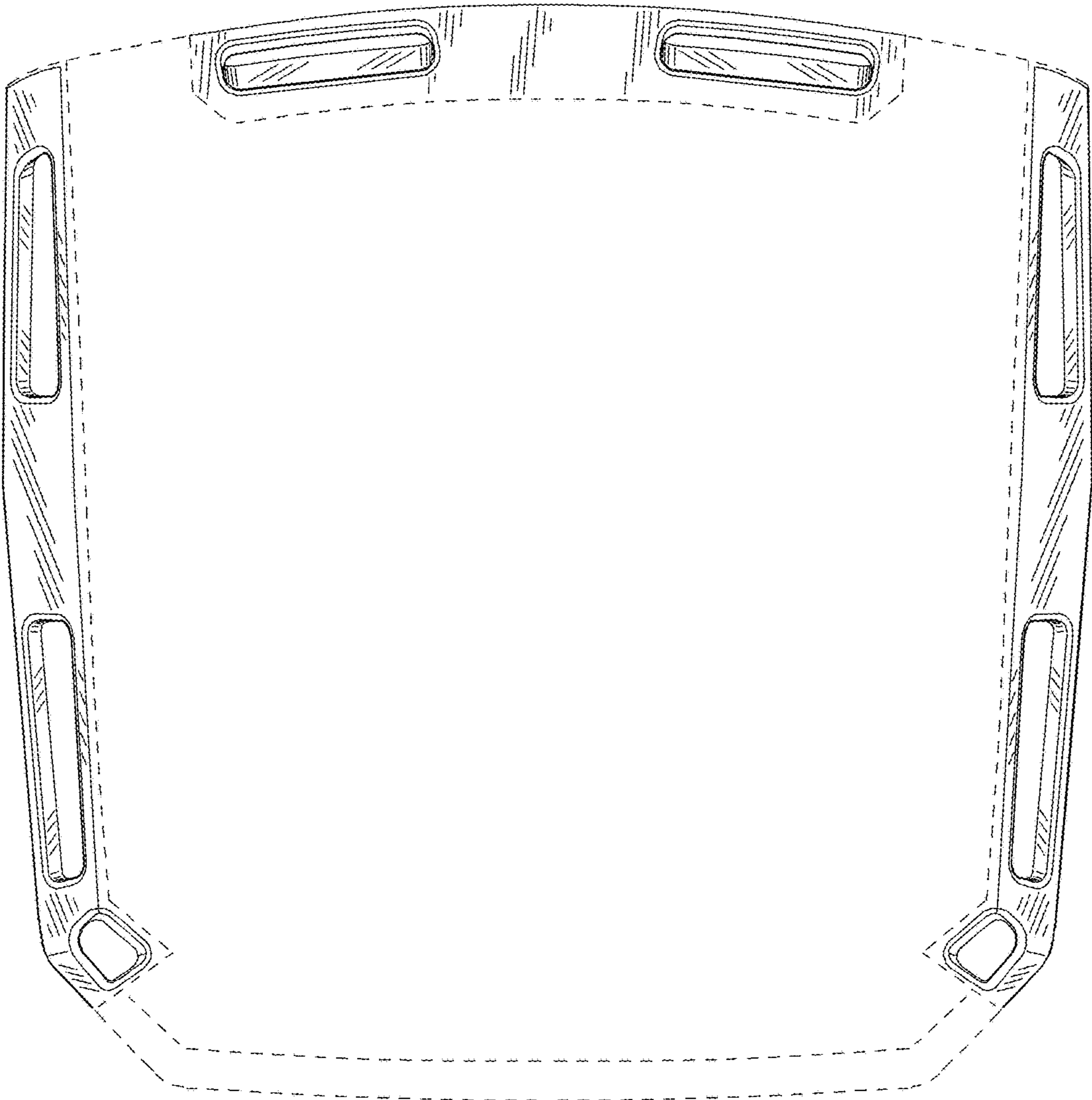


FIG. 6



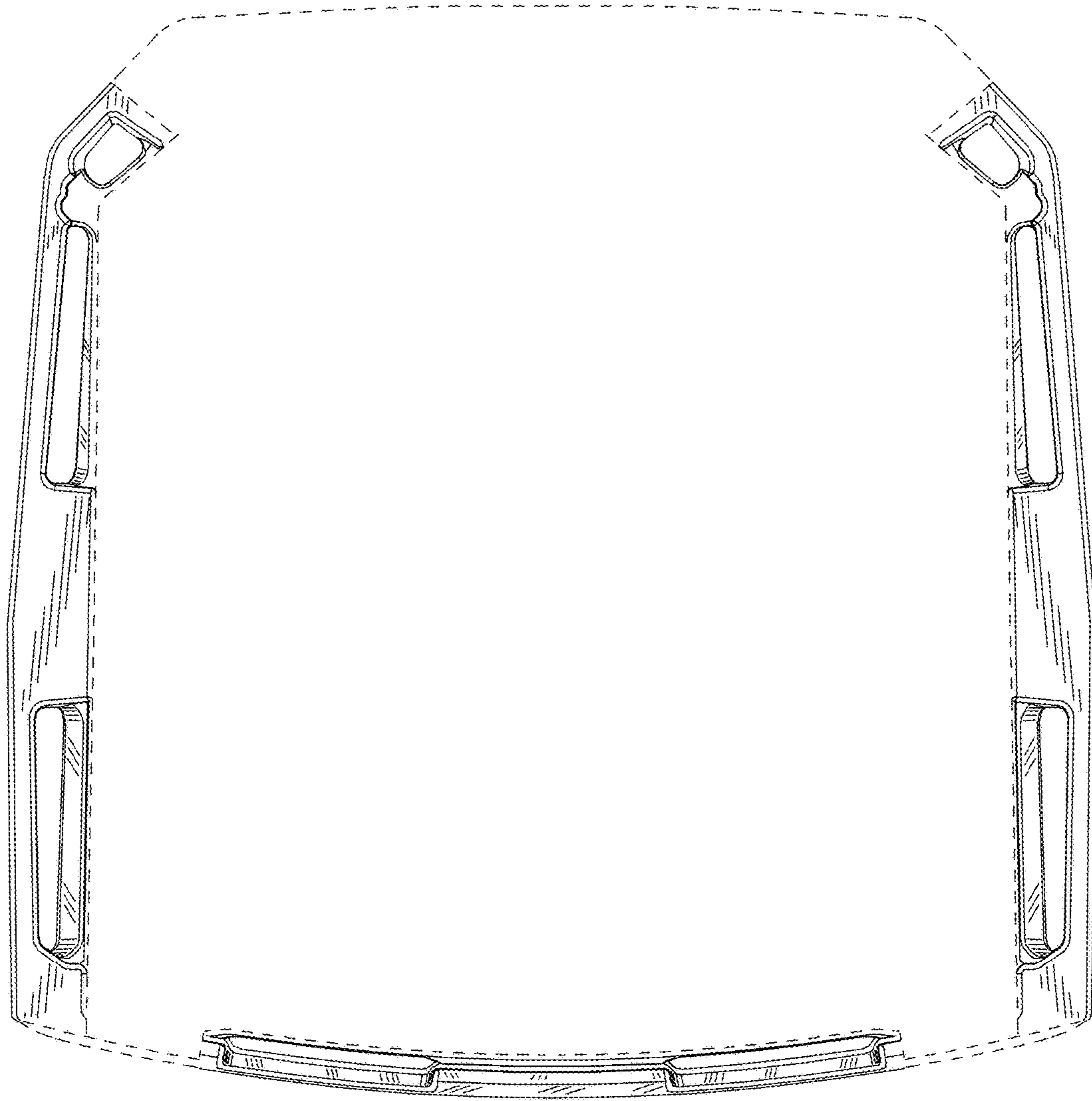


FIG. 7